



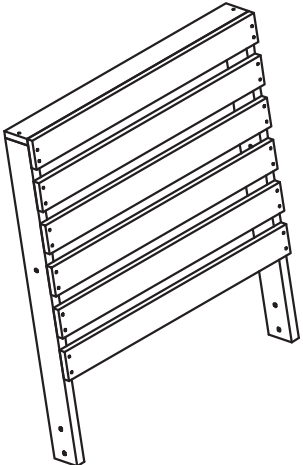

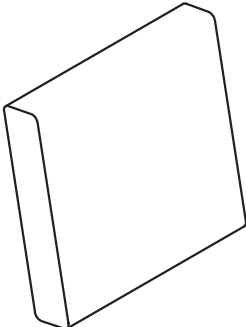
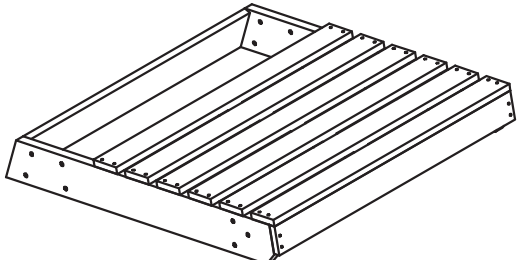
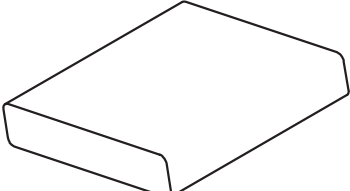
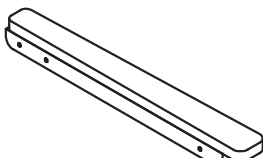
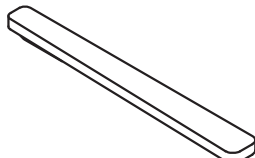
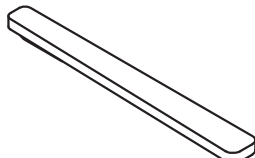
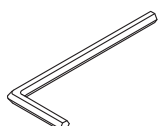
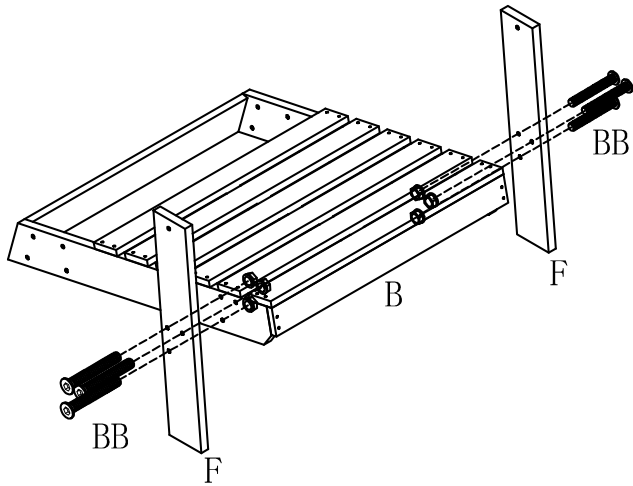
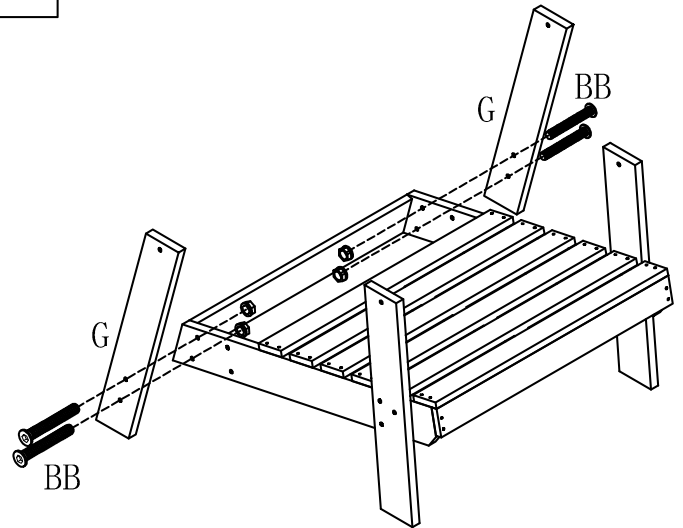
		F		2PCS
		G		2PCS
		AA	 M6*35 Bolt	4PCS
		BB	 M6*50 Bolt	10PCS
A		1PC	 M6*60 Bolt	6PCS
		DD		1PC
B		1PC		1PC
C		1PC		
D		1PC		

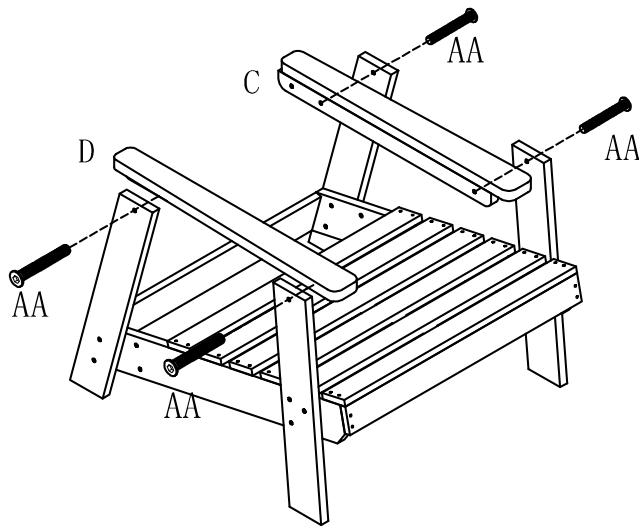
1



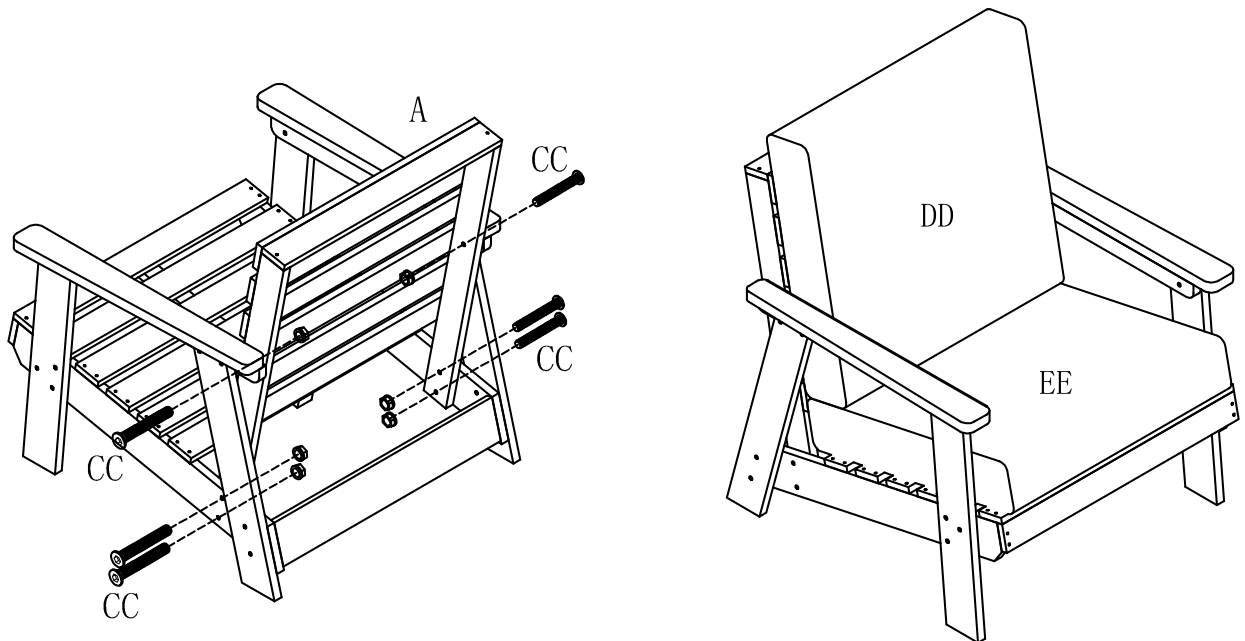
2

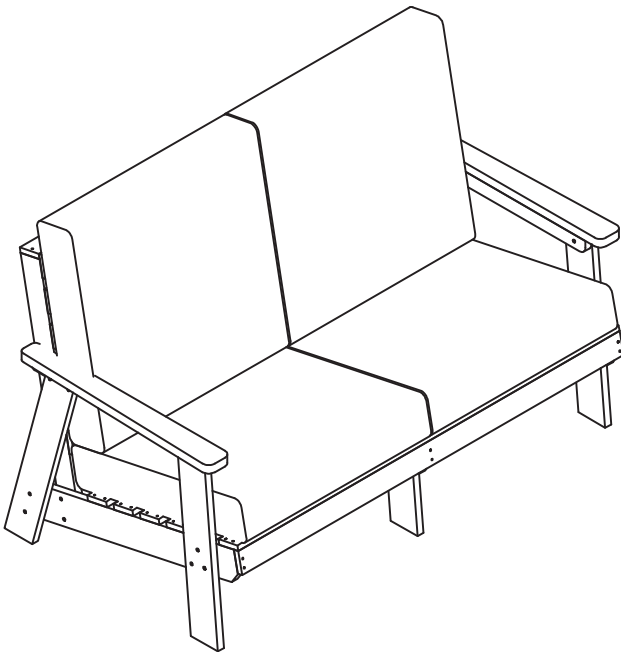

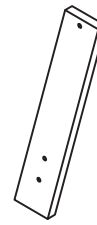

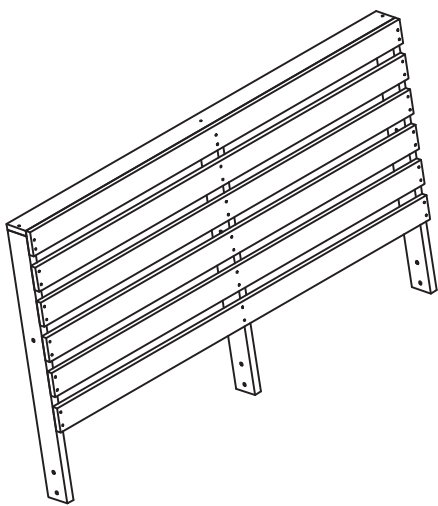



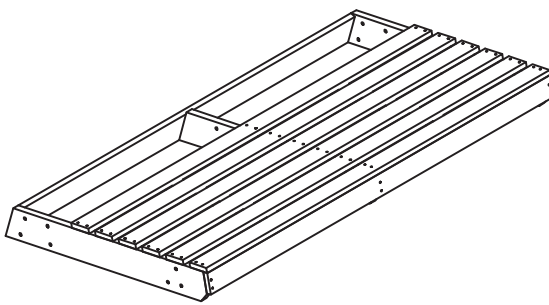
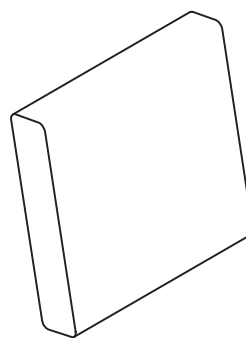
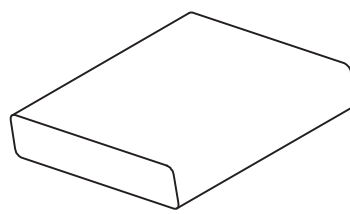
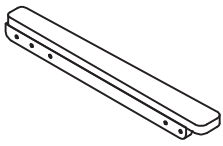
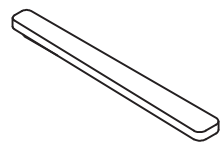
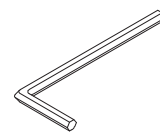


3

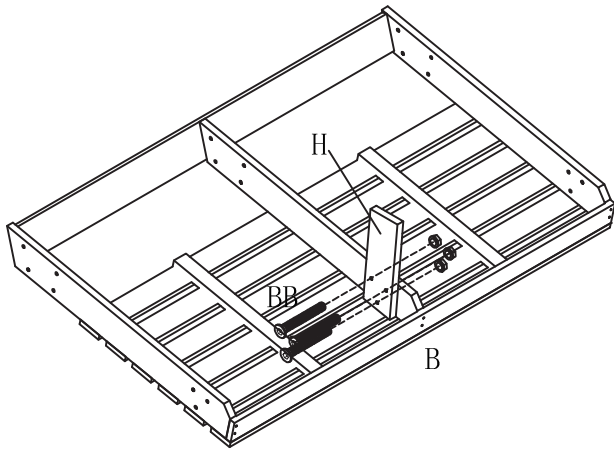


4

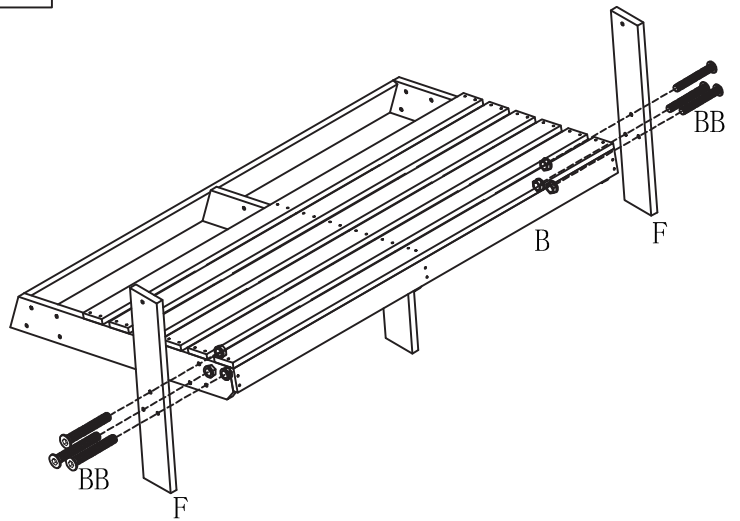


		F		2PCS	
		G		2PCS	
		H		1PC	
A		1PC	AA	 M6*35 Bolt	4PCS
			BB	 M6*50 Bolt	13PCS
			CC	 M6*60 Bolt	8PCS
B		1PC	DD		2PCS
			EE		2PCS
C		1PC			
D		1PC			

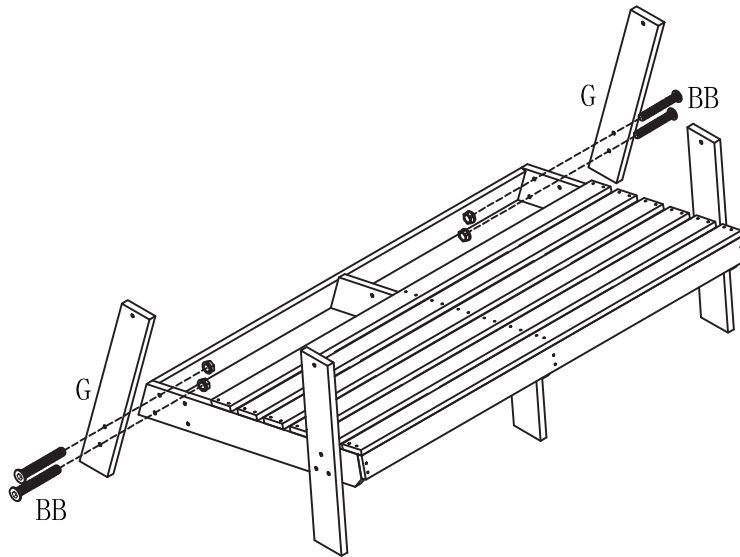
1



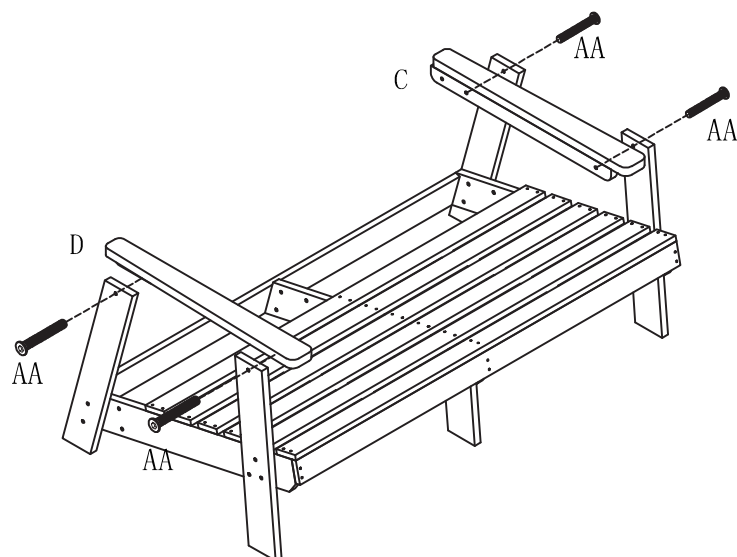
2



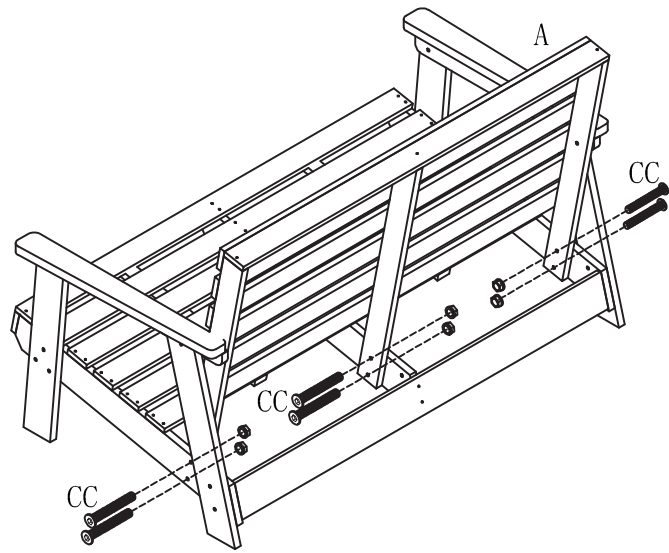
3



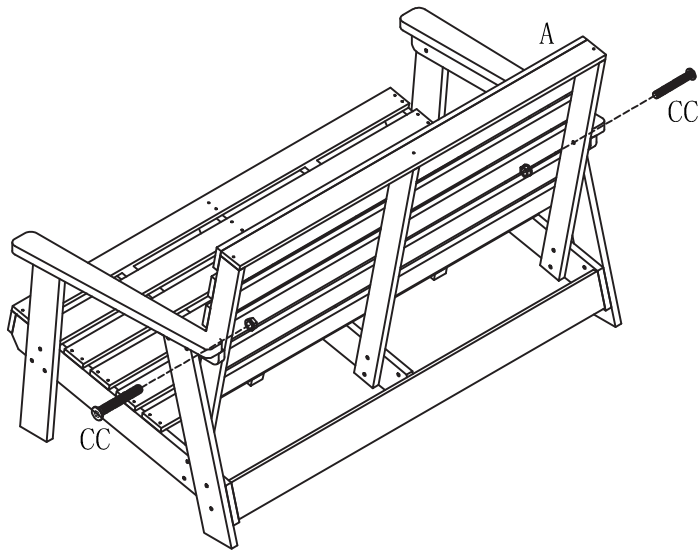
4



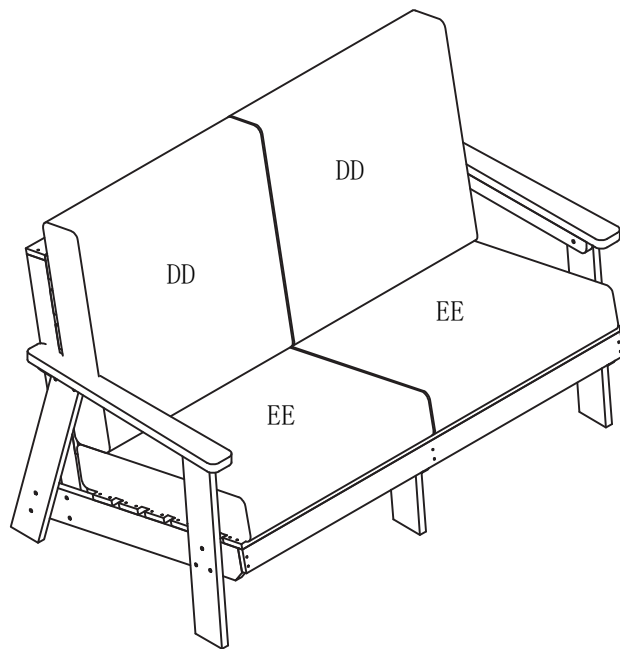
5

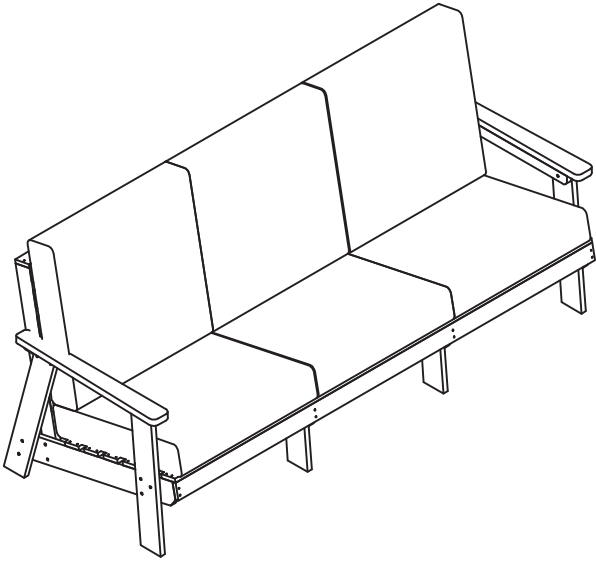
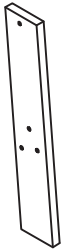
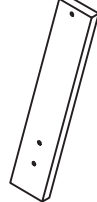

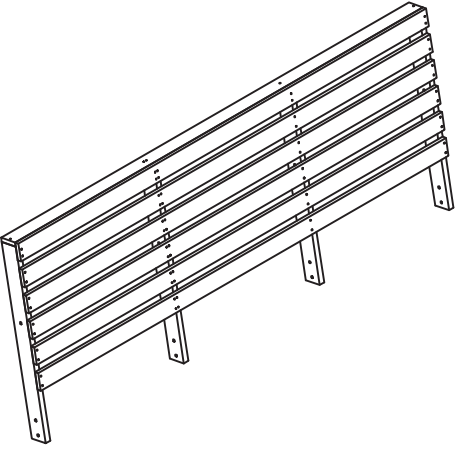



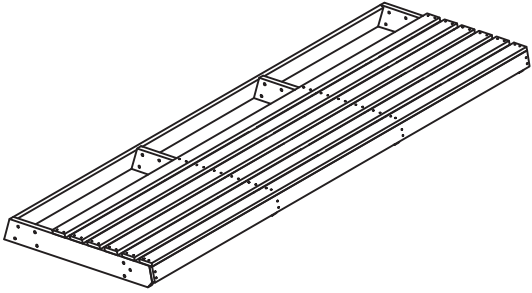
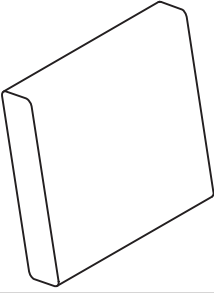
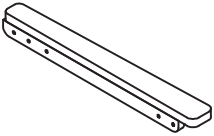
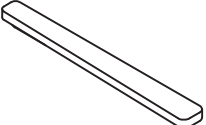
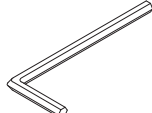


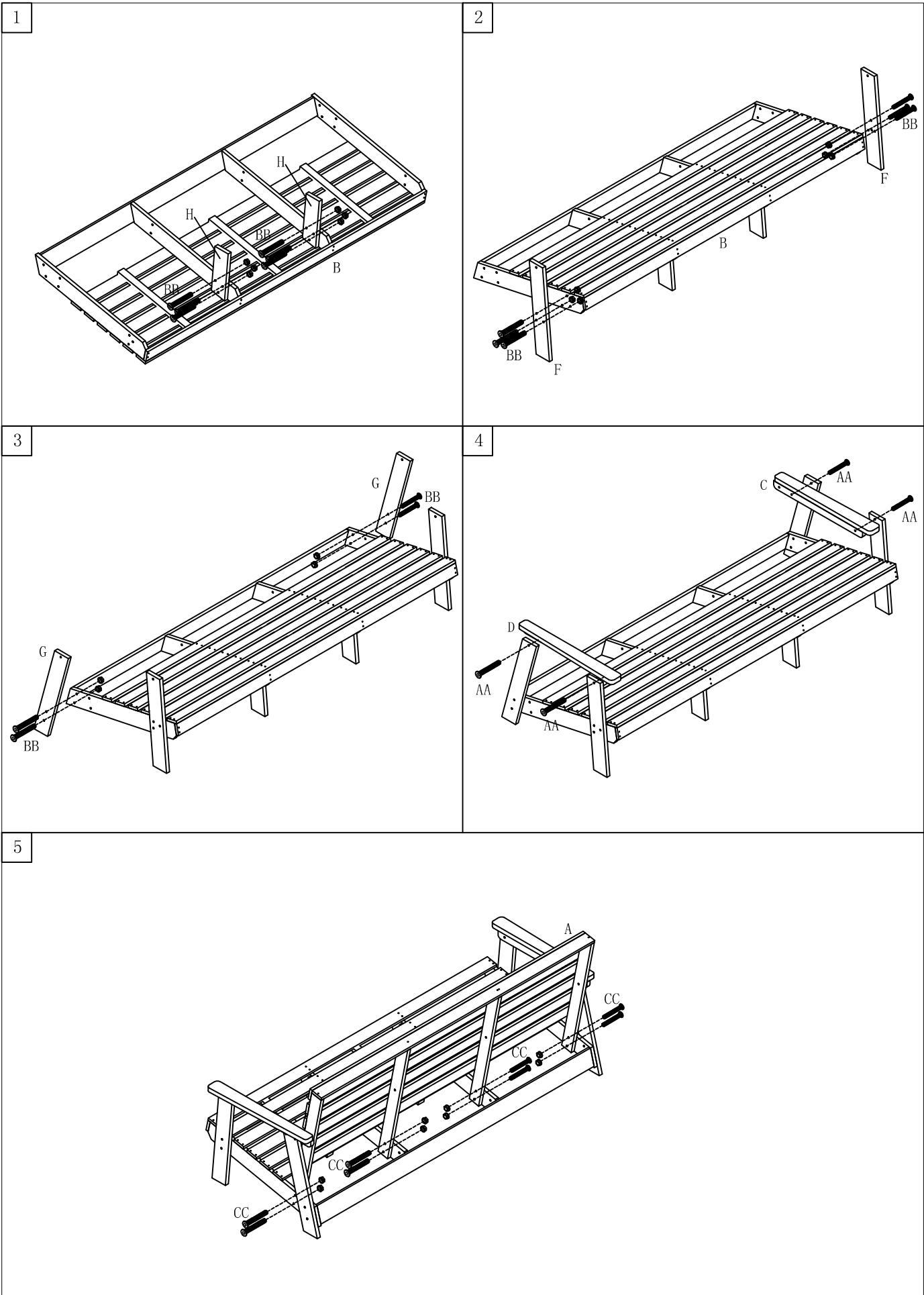
6



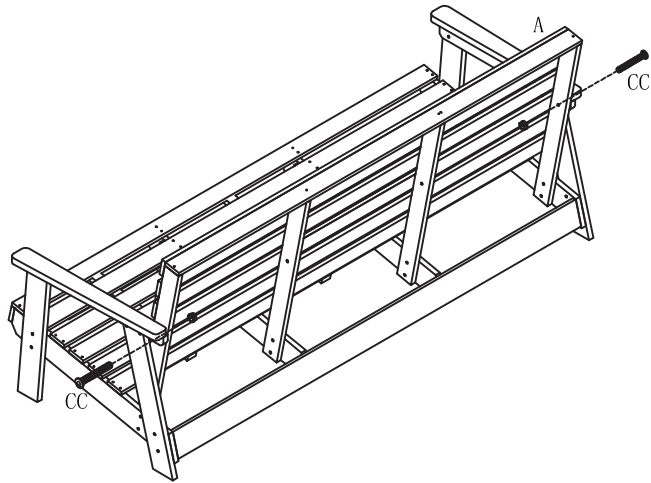
7



		F		2PCS	
		G		2PCS	
		H		2PCS	
A		1PC	AA	 M6*35 Bolt	4PCS
		BB	 M6*50 Bolt	16PCS	
		CC	 M6*60 Bolt	14PCS	
B		1PC	EE		3PCS
		C		1PC	FF
D		1PC			



6



7

8

