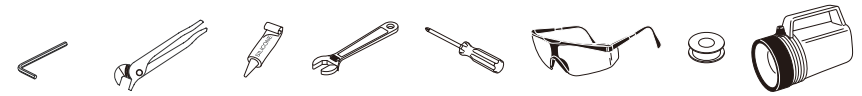
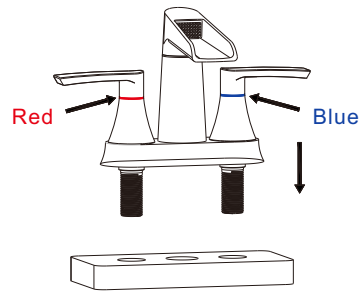


# Installation Guide

## Tools you will need

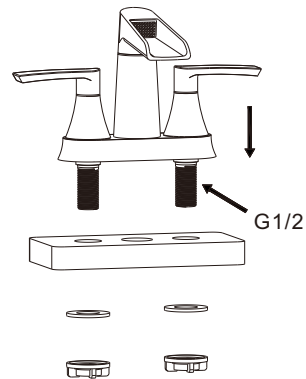


1



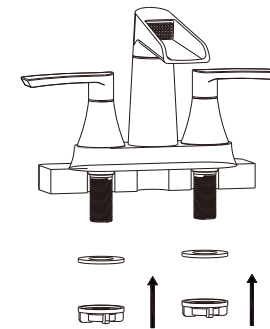
Face the logo to the front

2



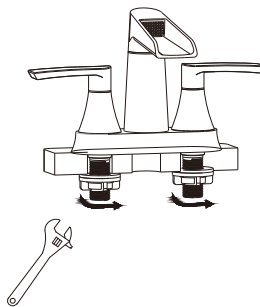
Insert the faucet through sink

3



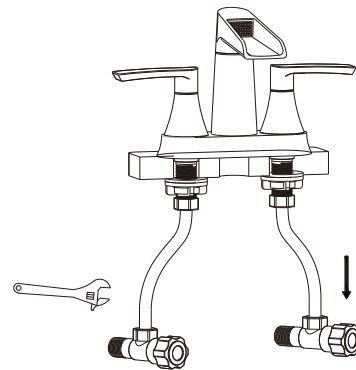
Screw the nut onto the connecting pipe body

4



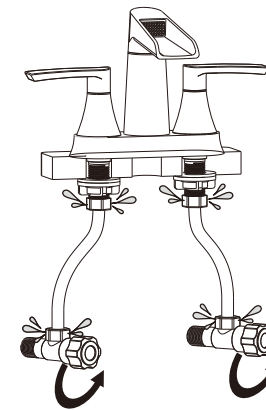
Tighten fitting nuts with adjustable wrench

5



Connect and tighten the supply hoses

6



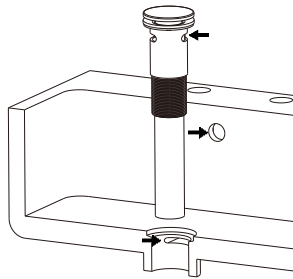
Turn on the water supplies. Check all connections for leaks

## Pop-up Drain with Overflow Installation Guide

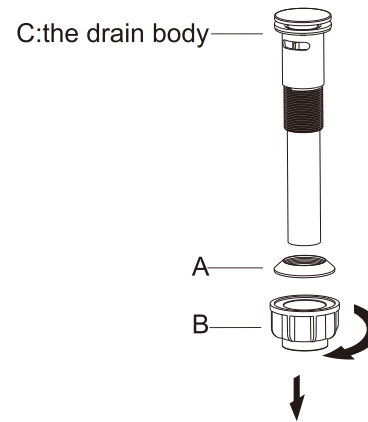


### NOTES:

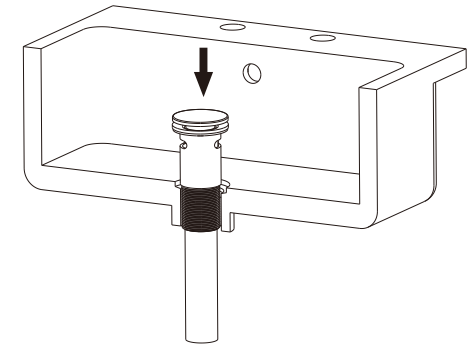
- Fits for sink WITH overflow hole.
- Clean the sink hole, make sure to remove debris.
- Please avoid using plumber's putty. The seal on top is leak-free. Plumber's putty might cause damage.
- Silicone and plumbing tape can be use for sealing requirement.



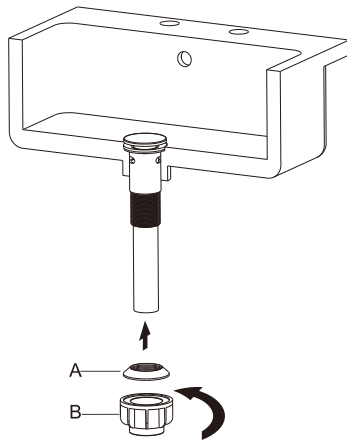
1 Unscrew components A & B to the seal.



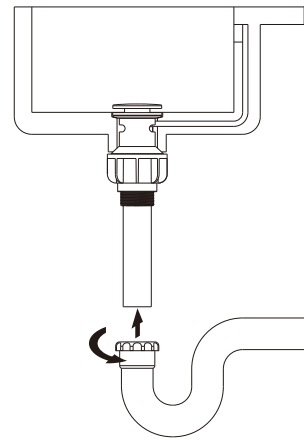
2 Slide the drain body C through the hole in the sink.



3 Screw components A & B back on as shown.



4 Connect the rear end of the drain to the Drain Pipe.



5 Push to activate.

