

# Free Standing Faucet Installation

## For easy installation of your faucet, please ensure the following:

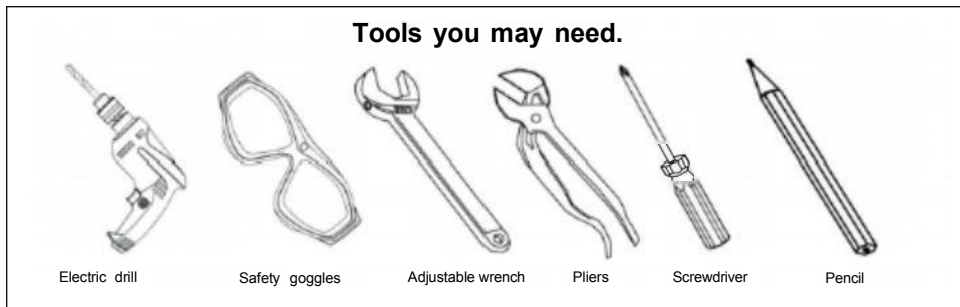
- Read thoroughly all the instructions before installing the faucet.
- Read and understand all warnings
- Check all the components in the package.

**PLEASE CAREFULLY READ THIS INSTRUCTIONS MANUAL BEFORE INSTALLING AND USING THE PRODUCT.**

**PLEASE KEEP THIS INSTRUCTION MANUAL FOR FUTURE REFERENCE REGARDING PRODUCT OPERATION AND MAINTENANCE.**

## Attention: Before you install the faucet,

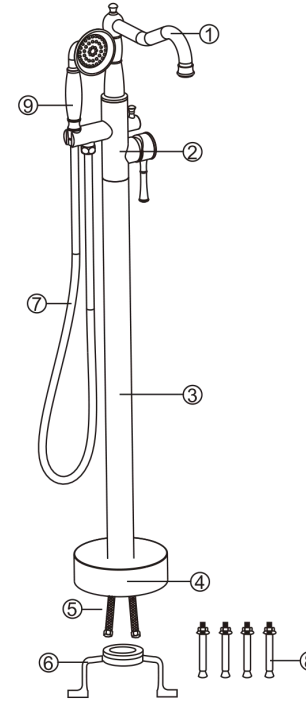
- 1) Please make sure the direction of the faucet should face to.
- 2) Please divide the hot water and cold water.
- 3) Please make sure you shut off the water supply.



## Cleaning and Maintenance

Maintenance should be careful when cleaning this product. Although its finish is durable, it can be damaged from harsh abrasives and cleaning pads.

## Package contents:

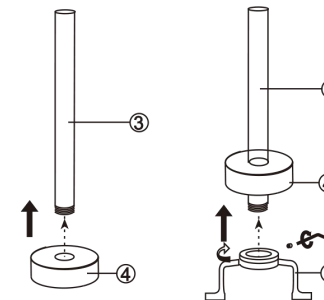


## Accessory list:

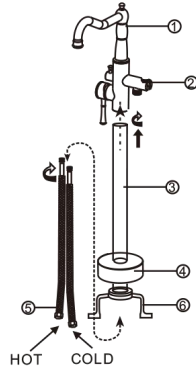
- 1) Tub filler spout
- 2) Mixer
- 3) Standing pipe
- 4) Escutcheon
- 5) Water supply lines(2 pcs)
- 6) Fix bracket base
- 7) Shower hose
- 8) Fix screw set(4 pcs)
- 9) Hand shower

## Installation steps

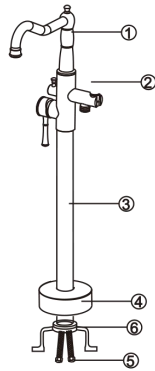
- 1 Place the escutcheon(#4) over the standing pipe(#3) and push it to the base, then turn the fix bracket base to standing pipe



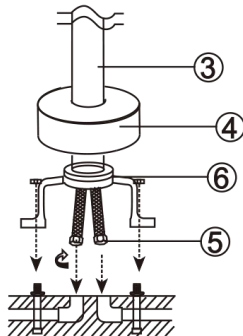
- 2 Turn the inlet supplies to mixer, verify the hot one with red line and the cold one with the blue line. Attach the mixer (#2) to the standing pipe (#3),



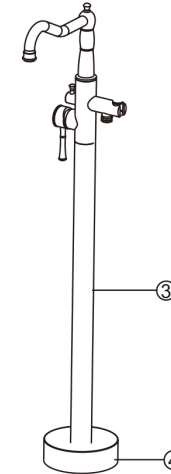
- 3 Making sure the prongs on the top of standing pipe(#3),insert into the hole of the mixer(#2).Install the set and tighten into the standing pipe(#3)



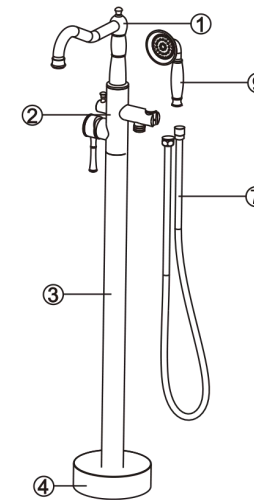
- 4 Mark the locations for the screws with a pencil. With an electric drill,drill three holes for the expansion screws (#8) in the floor. Place the expansion screw(#8) into the holes. Connect the flexible supply lines(#5) to the water supplies.



- 5 Ensure the standing pipe(#3) sits flush against the finished floor surface. Then secure the standing pipe(#3) using screws(#8). Push the escutcheon(#4) over the standing pipe(#3) base so that it sits flush against the finished floor surface.



- 6 Connect one end of the shower hose(#7) to the mixer(#2) and the other end to the shower head (#9).Ensure the washer is placed into each end for seal.



Note: This instruction manual is written for universal use and may be subjected to specification variance of actual parts.