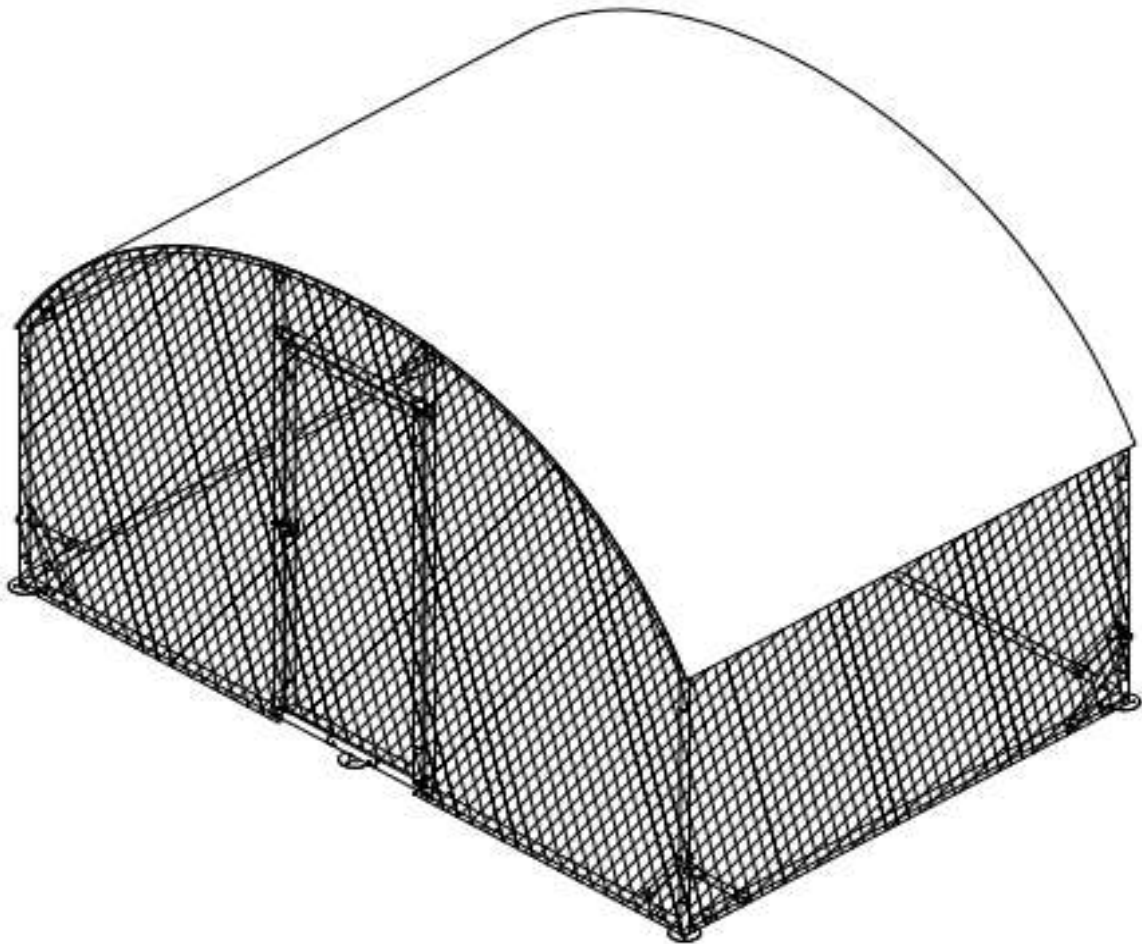


# Metal Chicken Coop Instruction Manual


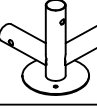
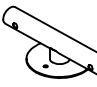
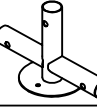
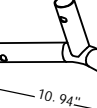
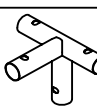
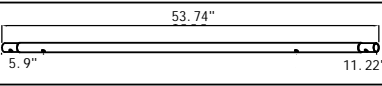
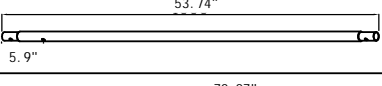
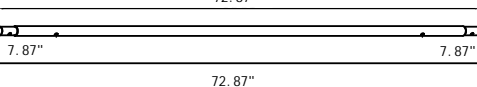
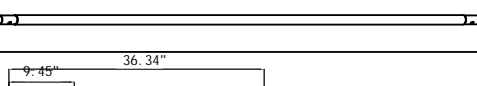
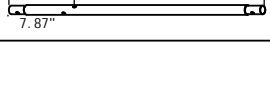
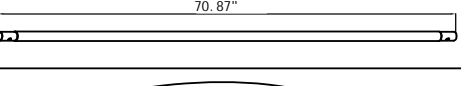

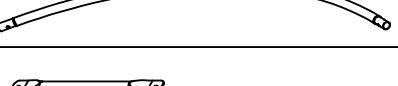
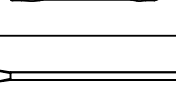
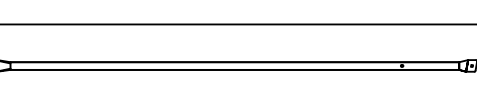
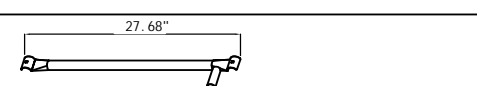
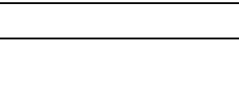
Please read this manual carefully before assembly

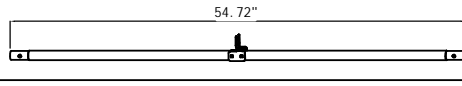
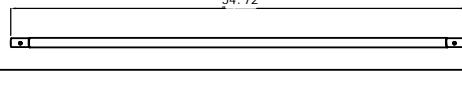
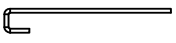
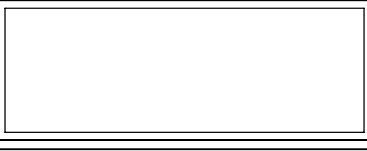


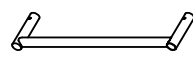
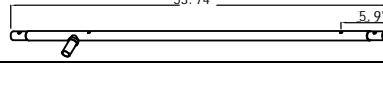

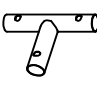

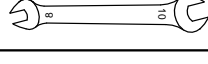



## **PLEASE READ THESE INSTRUCTIONS CAREFULLY AND KEEP THEM FOR FUTURE REFERENCE**

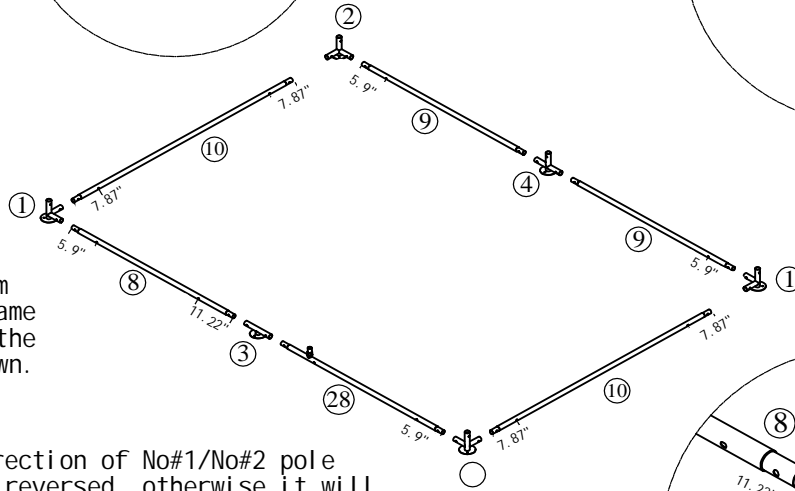
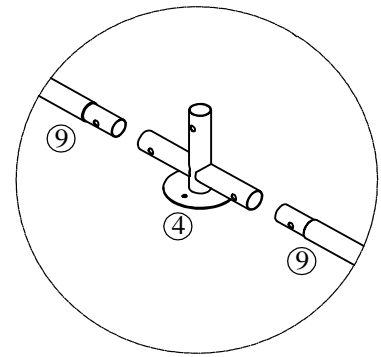
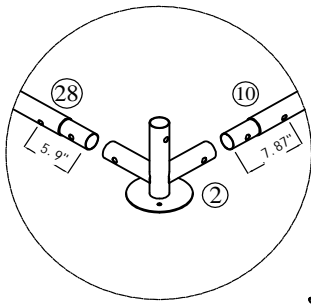
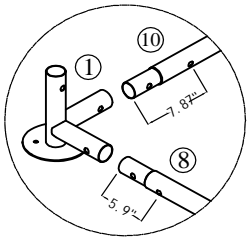
### **Warning:**

1. Do not fully tighten all screws until the step or process has finished.
2. Check you have all the components and tools listed.
3. Remove all fittings from the package and separate them into their groups.
4. Keep children and animals away from the work area, small parts could choke if swallowed.
5. Make sure you have enough space to lay out the parts before starting.
6. Do not stand or put weight on the product, this could cause damage.
7. Assemble the item as close to its final position (in the same room) as possible.
8. Assemble on a soft level surface to avoid damaging the unit or your floor (use an opened-out unit carton).
9. We do not recommend the use of power drills/drivers for inserting screws, as this could damage the unit. Only use hand screwdrivers.
10. Dispose of all packaging carefully and responsibly.
11. In case of rainy and snowy weather, please clean up the accumulated snow and water regularly to avoid excessive accumulation of rain and snow that will affect the stability of the structure.
12. The brown spot on the tube is not corrosion but the residue of passivation fluid which is used to protect the tube. It can be removed easily with hot soapy water but doing so would weaken the tube's corrosion resistance

NO.	PART	Qty
1	 Please be careful not to misplace #1 and #2 when installing	2
2	 Please be careful not to misplace #1 and #2 when installing	2
3		1
4		1
5		4
6		1
8		1
9		2
10		2
11		3
12		4
14		1
15		2
16		2
17		8
18		1
19		1
20		1

NO.	PART	Qty
21		1
22		1
23		6
24		1
25		12
26	 (L= 7.87" )	250
27		2
28		1
29	 (L=3.94" )	100
30		1
A	 (M6×40)	22
B	 (M6)	1
C	 (L=91.86FT)	1

Note:  
Please note the orientation of the differently spaces holes in the pole. The wrong direction will cause some accessories not to be installed properly!

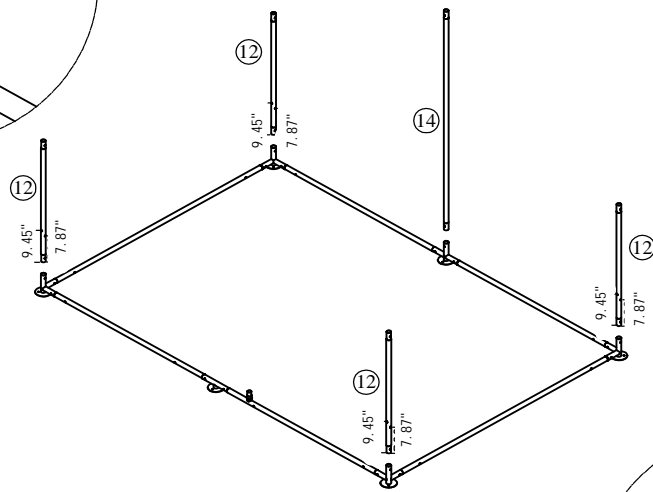
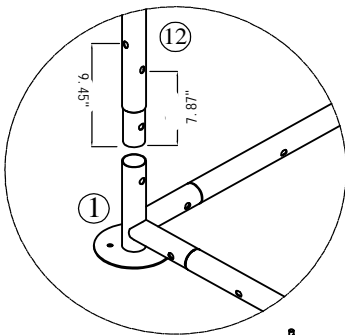
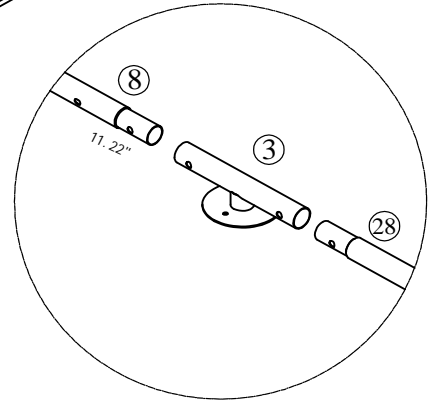


Please arrange them correctly in the same area according to the part number as shown.

Please note the direction of No#1/No#2 pole fittings cannot be reversed, otherwise it will affect the direction of the hole position of the post-assembly;

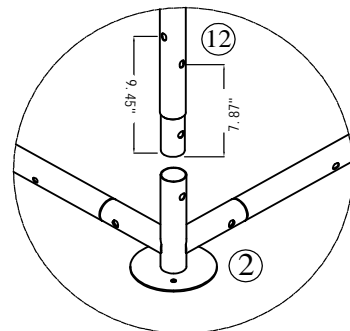
Please note the end of the No#8 pipe fitting with the shorter hole distance is placed on the corner (locking the pipe fitting) and the end with a long hole distance is placed in the middle (locking the door frame);

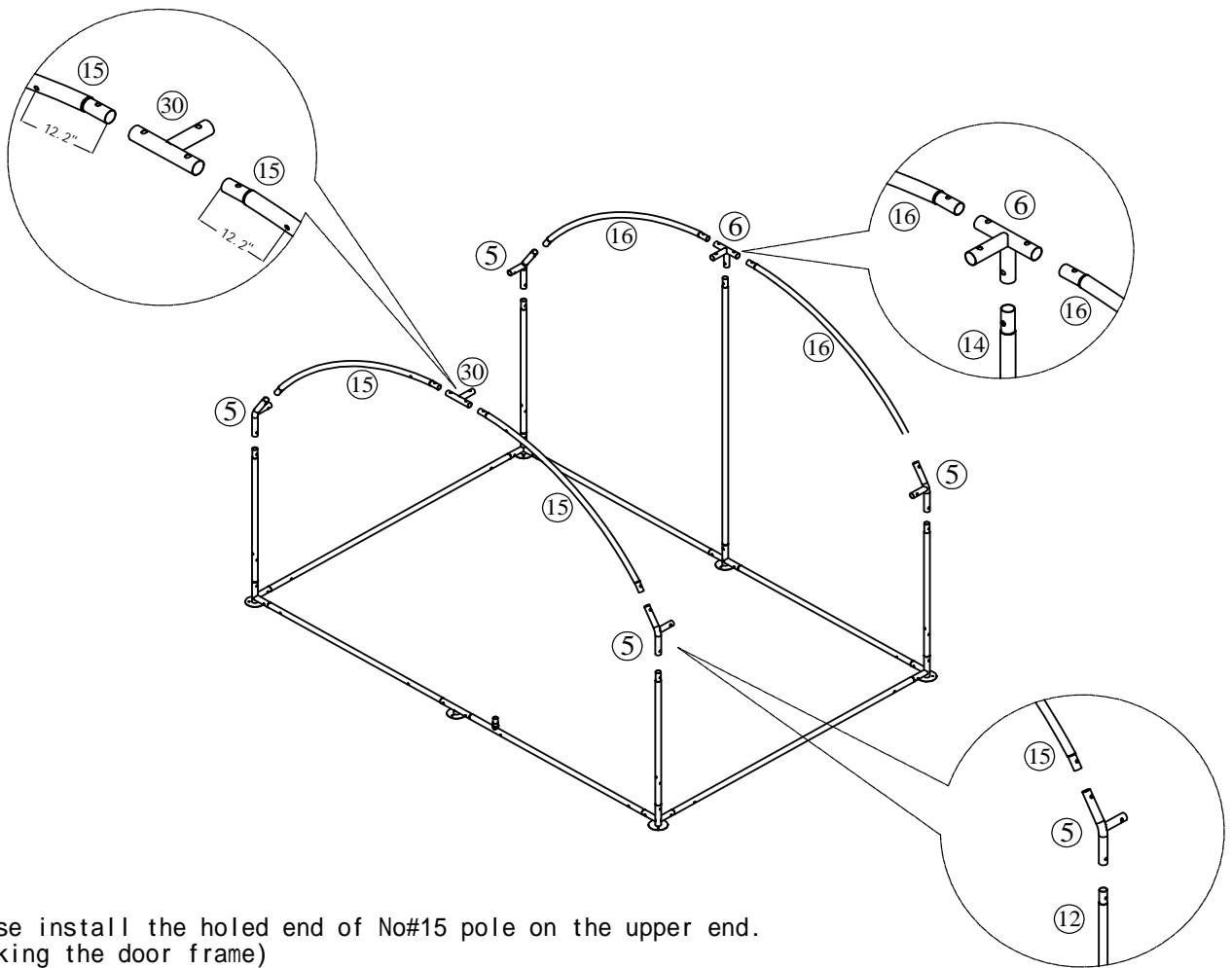
Please put the holes end of No#9 pipe fitting with a hole on the corner (lock and flatten the pipe);



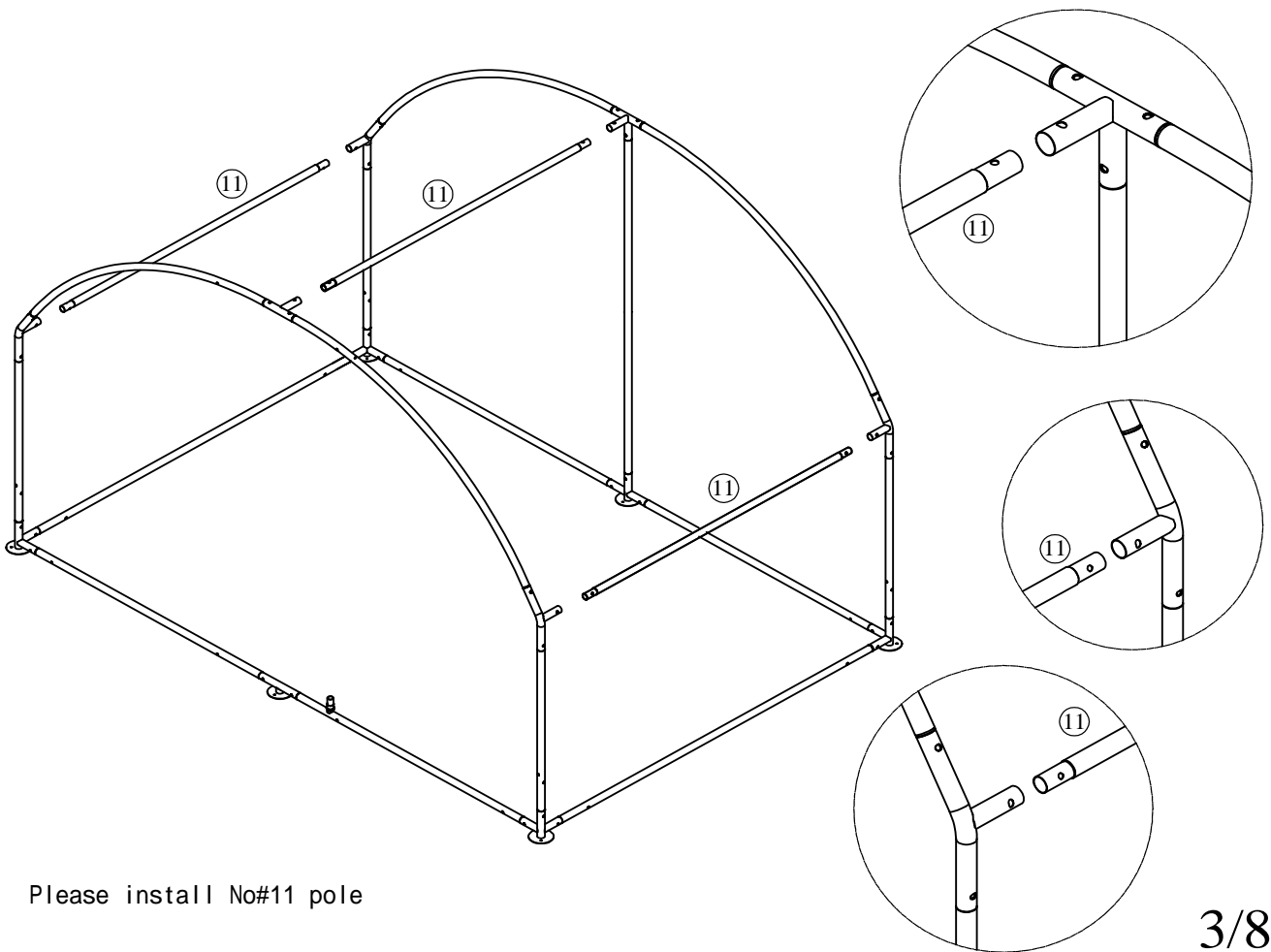
Please install the holed end of the pole (No#12) on the lower end place. (locking the pipe fitting)

(The length of the holes can be separated by visual comparison)

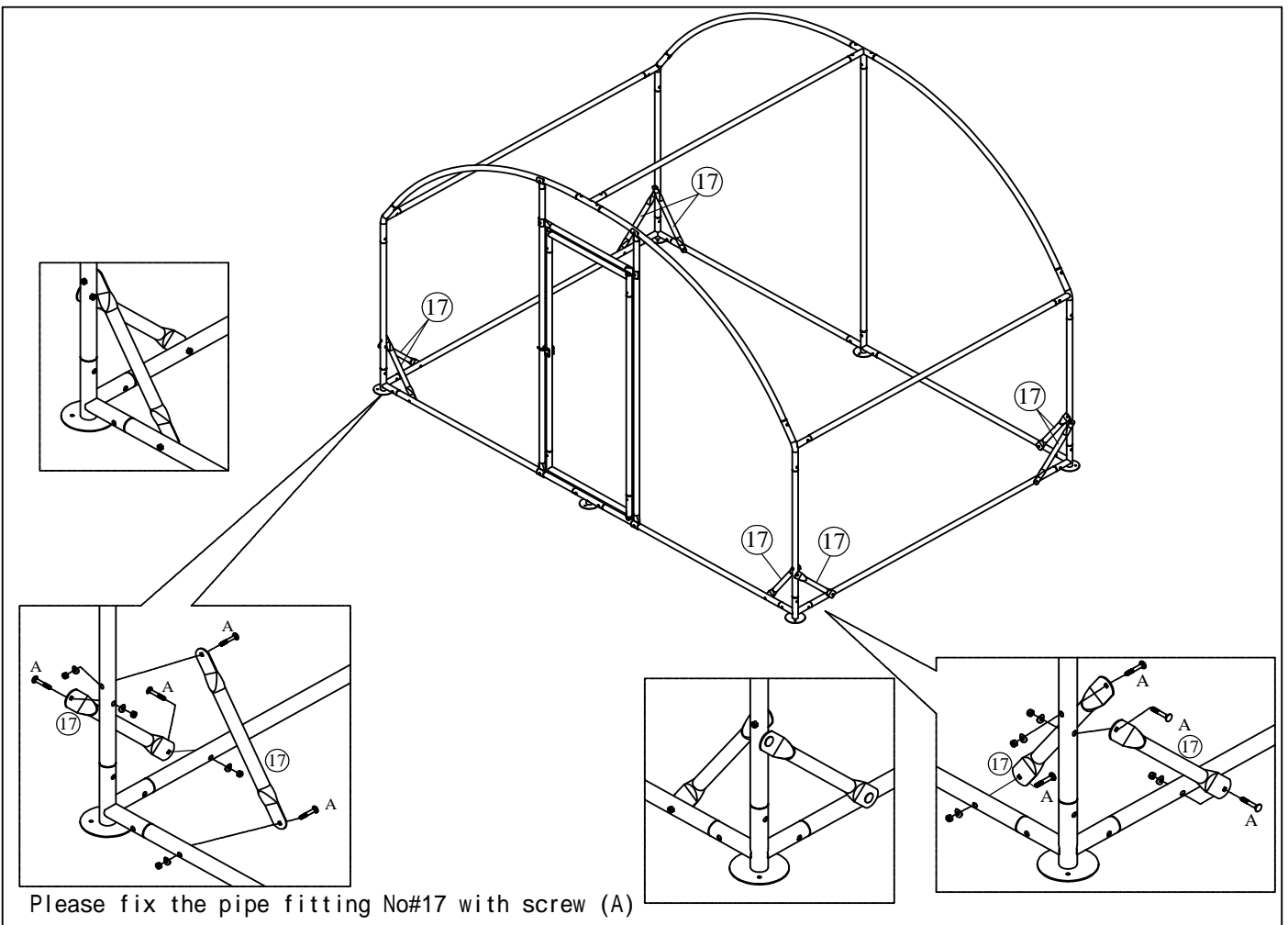




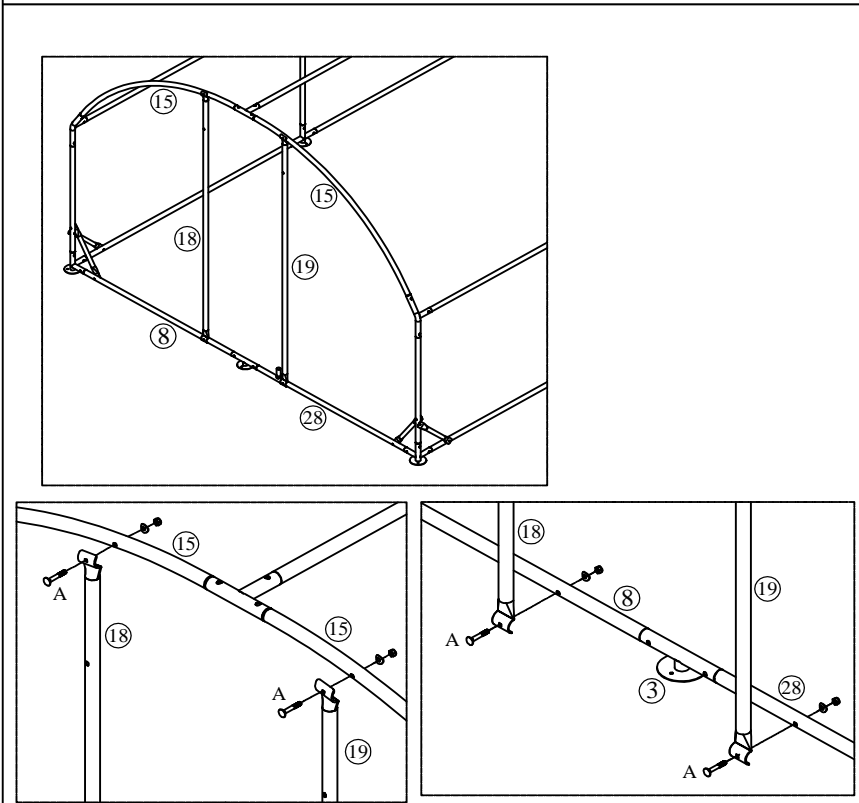
Please install the holed end of No#15 pole on the upper end.  
 (locking the door frame)



Please install No#11 pole



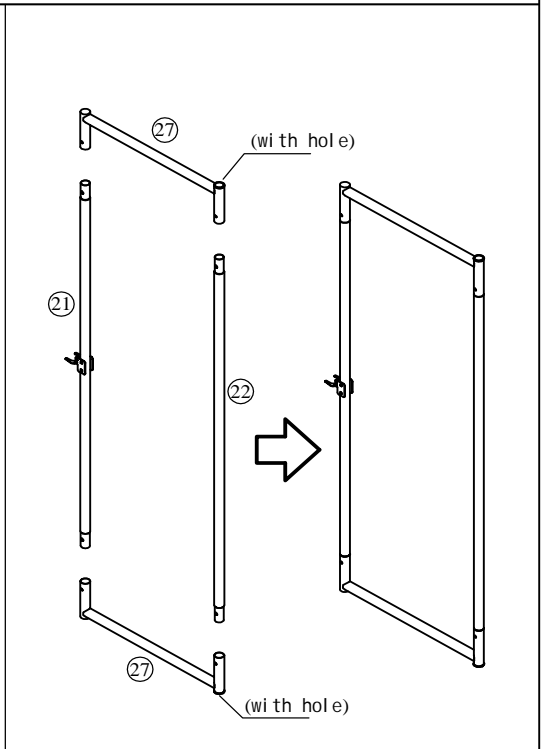
Please fix the pipe fitting No#17 with screw (A)



Assemble the outer door frame:

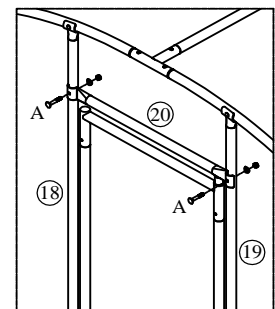
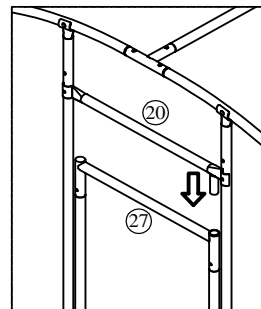
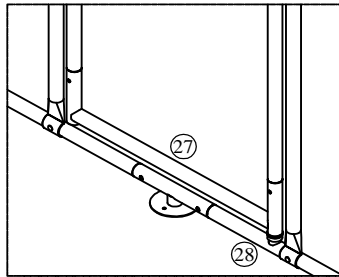
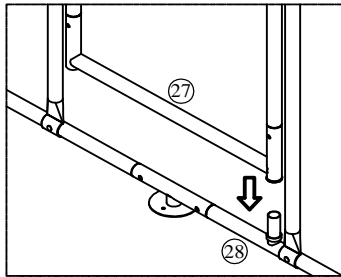
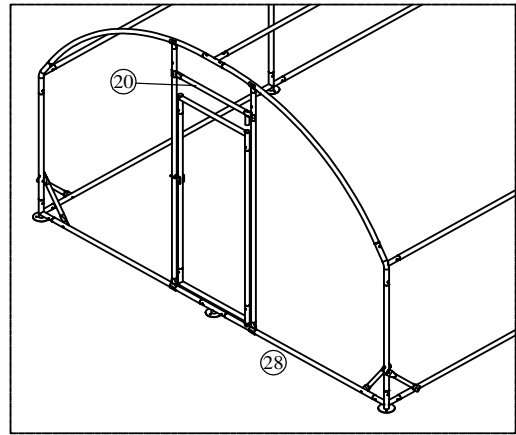
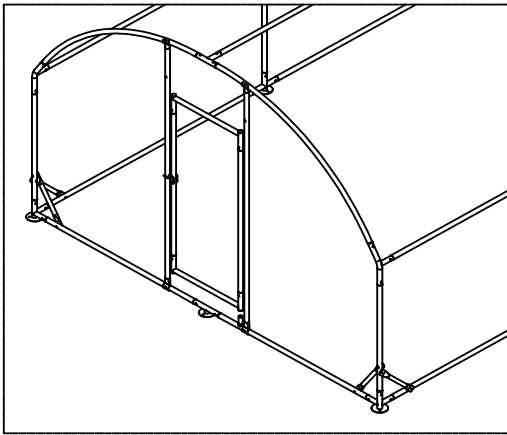
Please arrange the parts according to the part number first ,and then lock them with screw (A) as shown in the picture

(No#18 Pole is on the left, and No#19 pole is on the right, the two poles with hole face upward)



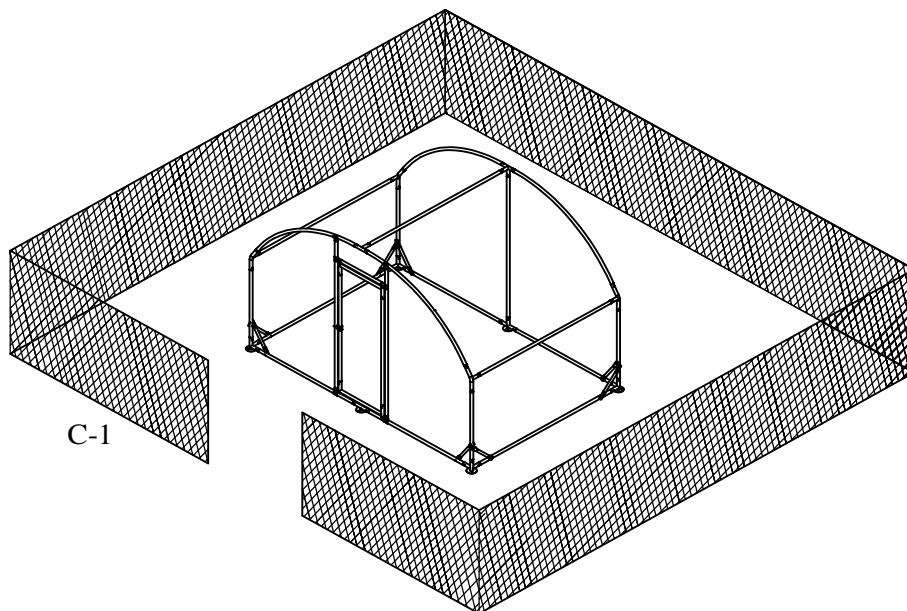
Assemble the inner door frame:

Please arrange the No#21/22/27 parts as shown in the picture first ,and then start the assembly after confirming the correct position



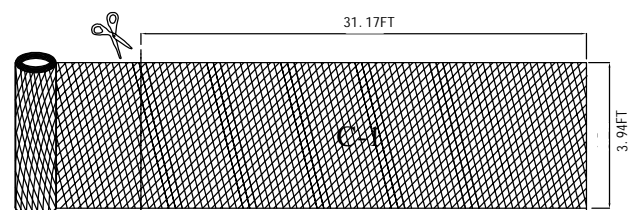
Please Insert the assembled inner door frame into the pipe head corresponding to the No#28 pipe fitting (insert on the side with a hole)

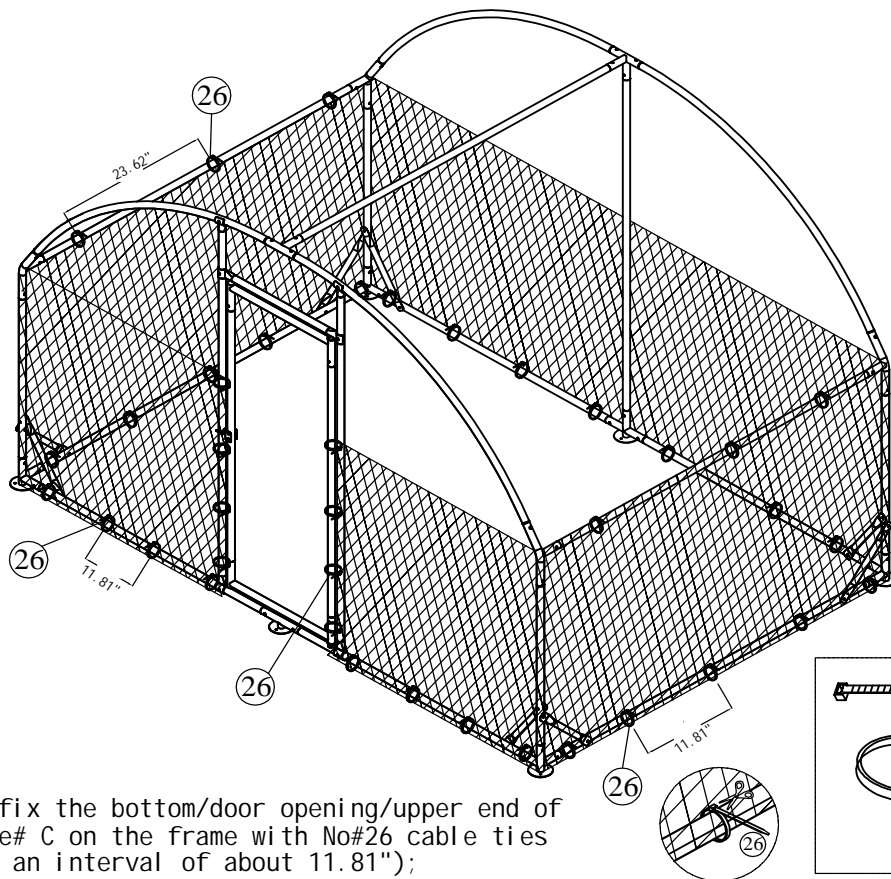
Please note pipe head corresponding to the No. 20 pipe fitting is inserted downward into the assembled inner door frame hole, then use screw#A to lock and fix it in the upper hole of No# 18 and No#19 pipe fittings (as shown on the picture);



Please pull apart the C piece of wire, cut a section of 30.84FT in length, and assemble the front side/ rear side/left side/right side of the lower end;

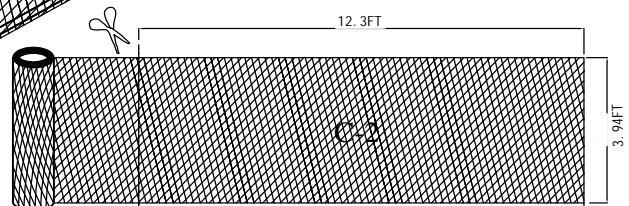
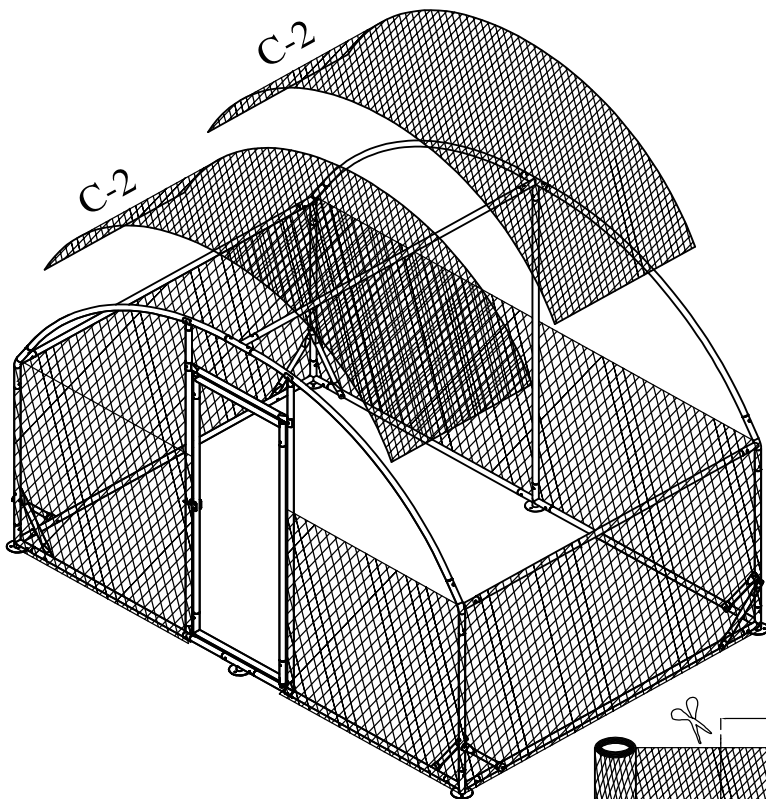
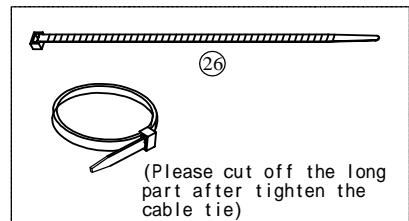
(you can also pull the wire apart and wrap it around the frame, tighten it to a suitable position and cut it off)





Please fix the bottom/door opening/upper end of the wire# C on the frame with No#26 cable ties (one at an interval of about 11.81\"");

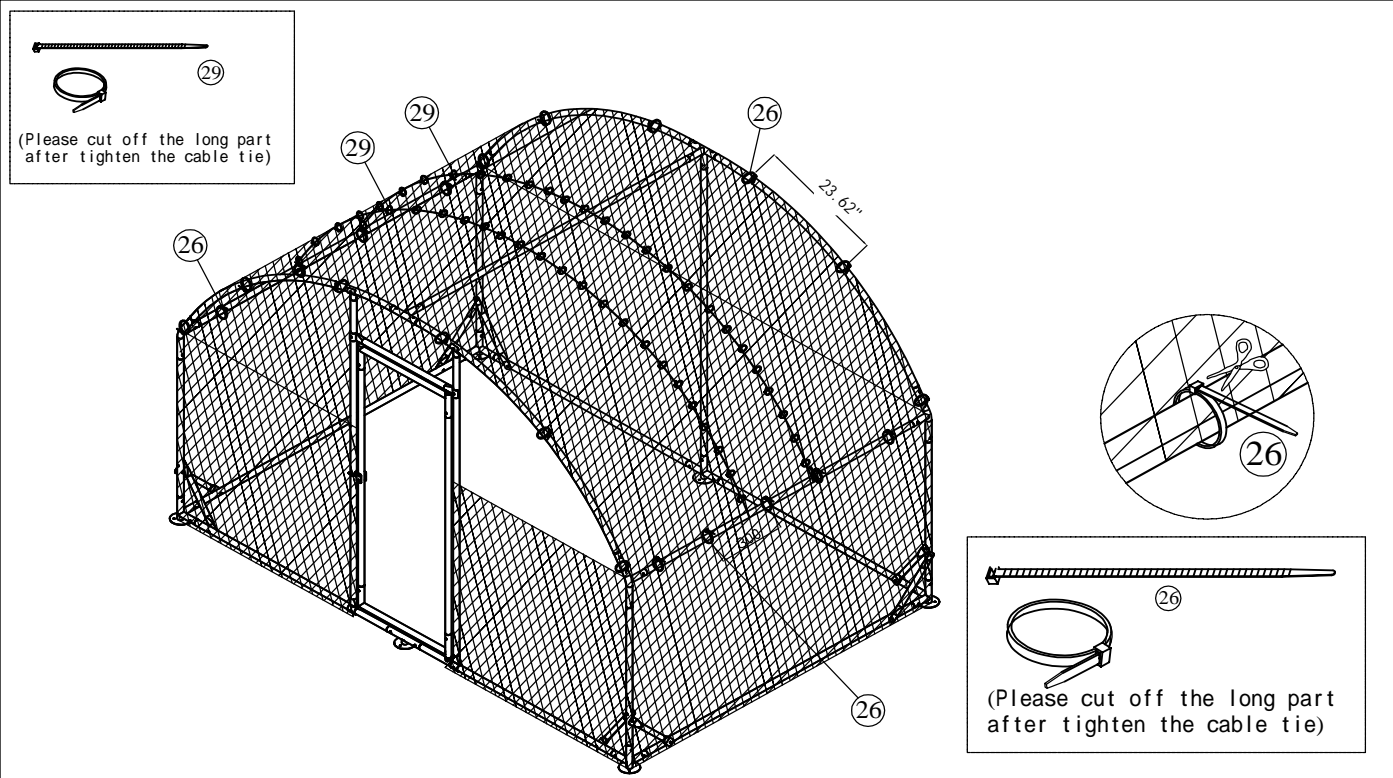
The upper end of the wire can be fixed farther away (one at an interval of about 23.62\""), and when the roof is fixed again, it can be tied together;



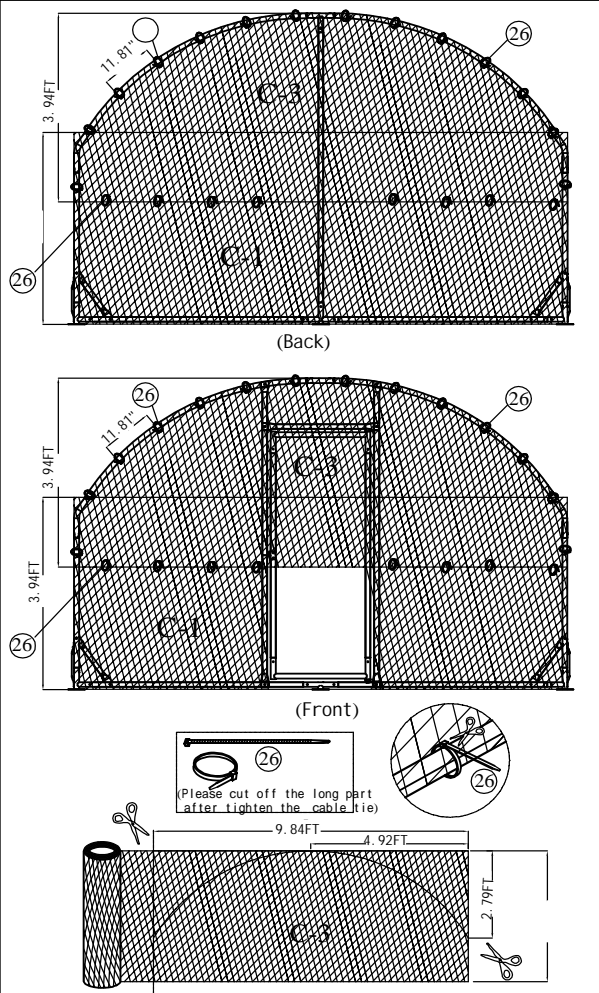
Please cut two 12.3FT wire C for assembling the roof.

Or you can circle the wire around the frame, tighten it to suitable position and then cut it.

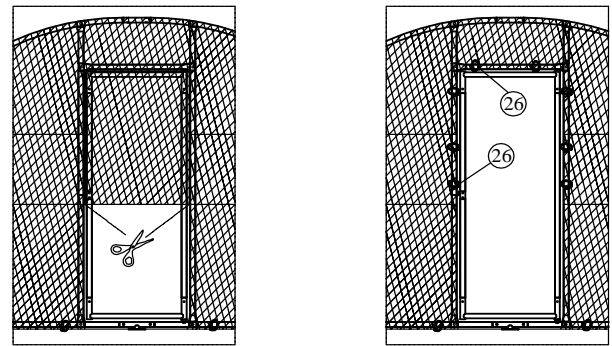




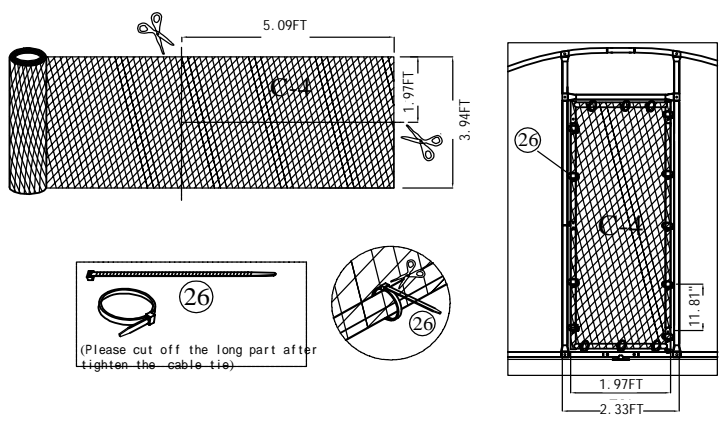
Please fix the C-piece wire on the frame with No#26 cable ties (one at an interval of about 11.81");  
 Use No#29 cable ties to tie together the overlapping parts of the two pieces of C wire (one at an interval of about 2.36");  
 The front and rear upper ends can be fixed a little farther away (one at an interval of about 23.62"),  
 and when the front and rear meshes are assembled and then fixed;



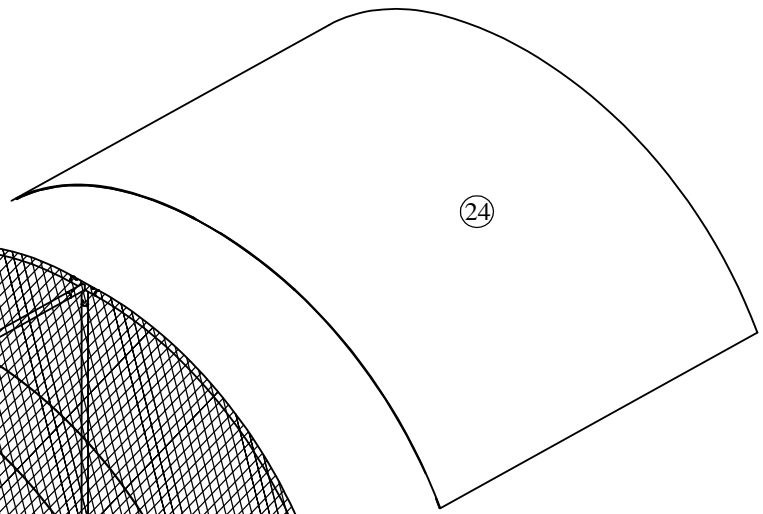
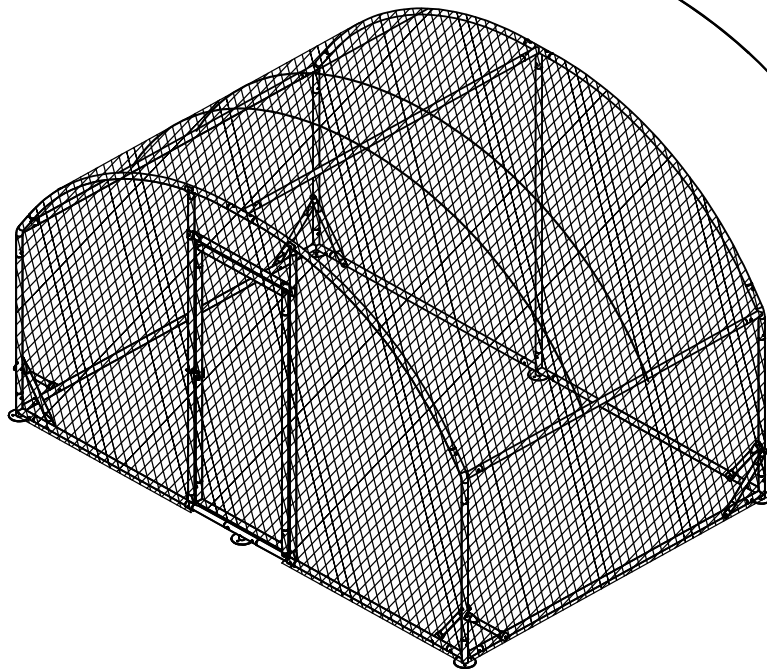
Pull apart the wire(C) and spread it on the top of the front and rear side frame;  
 (Fix it with No#26 cable tie first, and then remove the extra wire part)  
 then use No#26 cable ties to fix it (one at an interval of about 11.81") (the overlapping parts of the two wires are also tied together with No#26 cable ties)



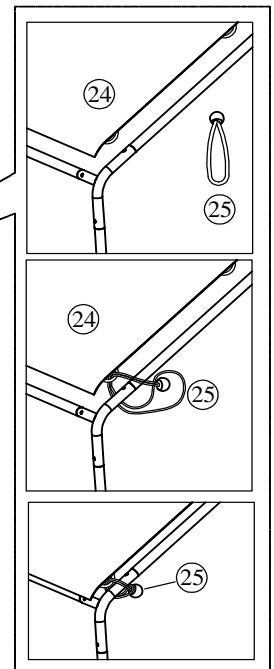
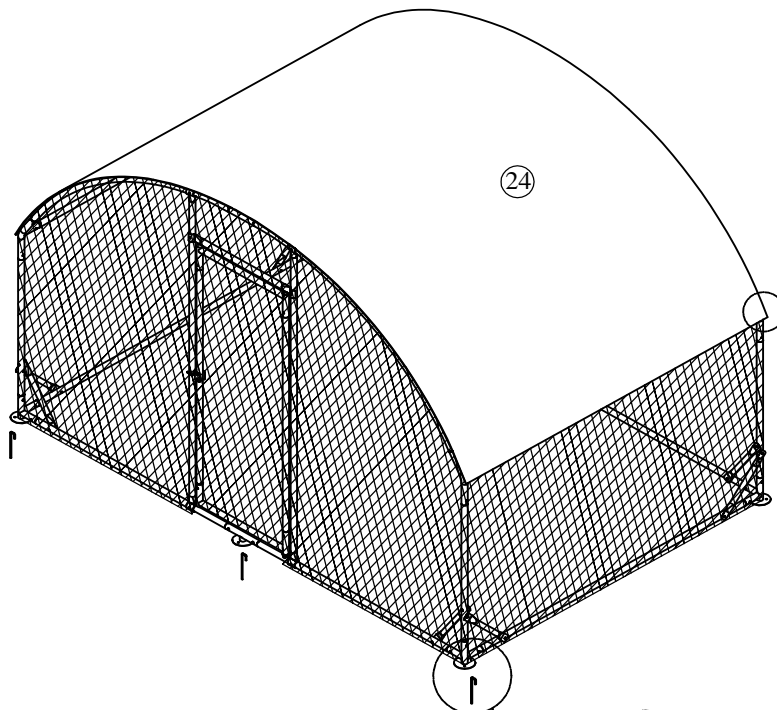
Please cut off the extra wire in the door frame; cut around the inner edge of the outer door frame;  
 then fix it on the outer door frame with No#26 cable ties (one at an interval of about 11.81")



Cut wire(C) as shown, or put the wire in the corresponding frame position, and then cut the wire(C). Fix it with cable ties(#26). (one at an interval of about 11.81")



Please spread the tarp(#24)  
on the top



Please tie the tarp(#24) on the iron  
frame with ropes(#25), finally, fix  
the whole chicken coop to the  
ground with ground nails(#23)

