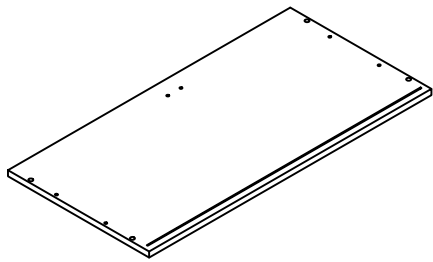
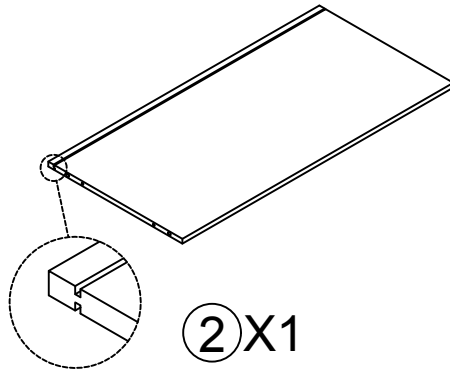


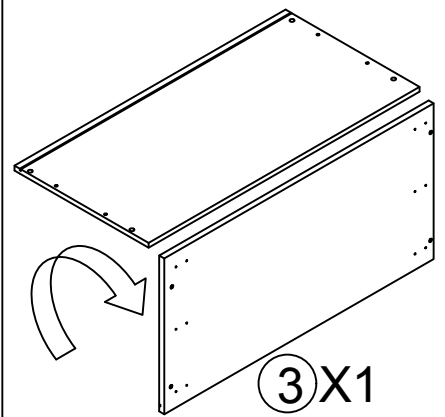
# Part list



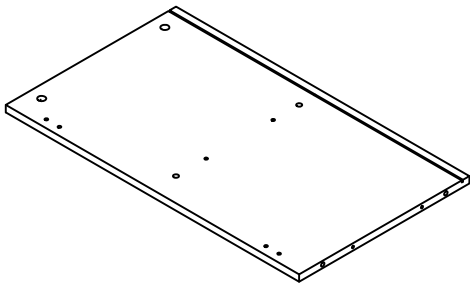
① X1



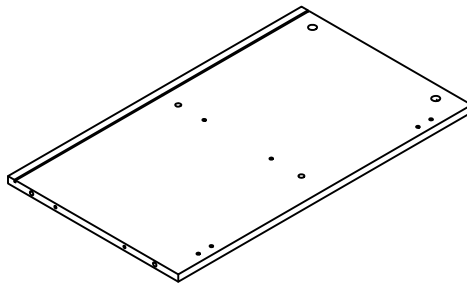
② X1



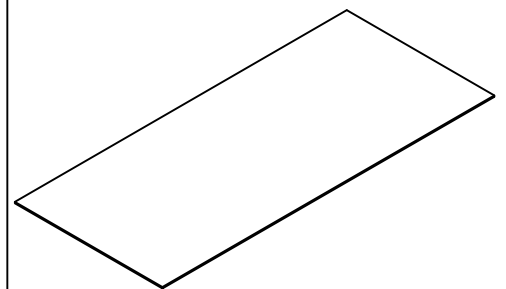
③ X1



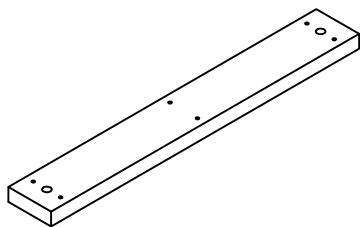
④ X1



⑤ X1



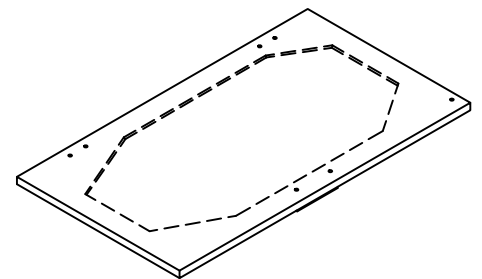
⑥ X2



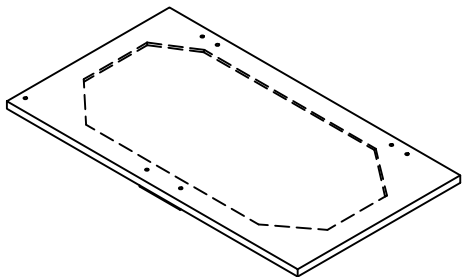
⑦ X2



⑧ X4

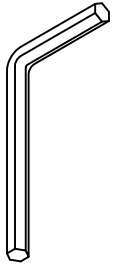


⑨ X1

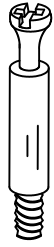


⑩ X1

# Hardware list



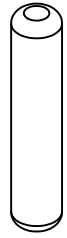
Ⓐ X1



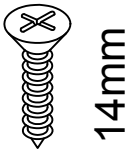
Ⓑ X8



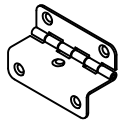
Ⓒ X8



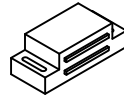
Ⓓ X12



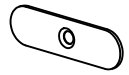
Ⓔ X33



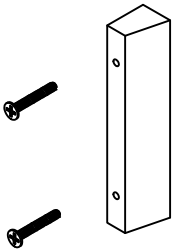
Ⓕ X4



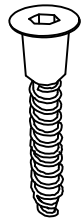
Ⓖ X1



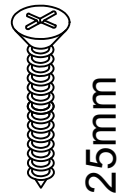
Ⓗ X2



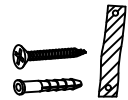
Ⓘ X2



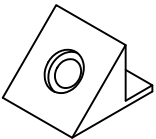
Ⓙ X4



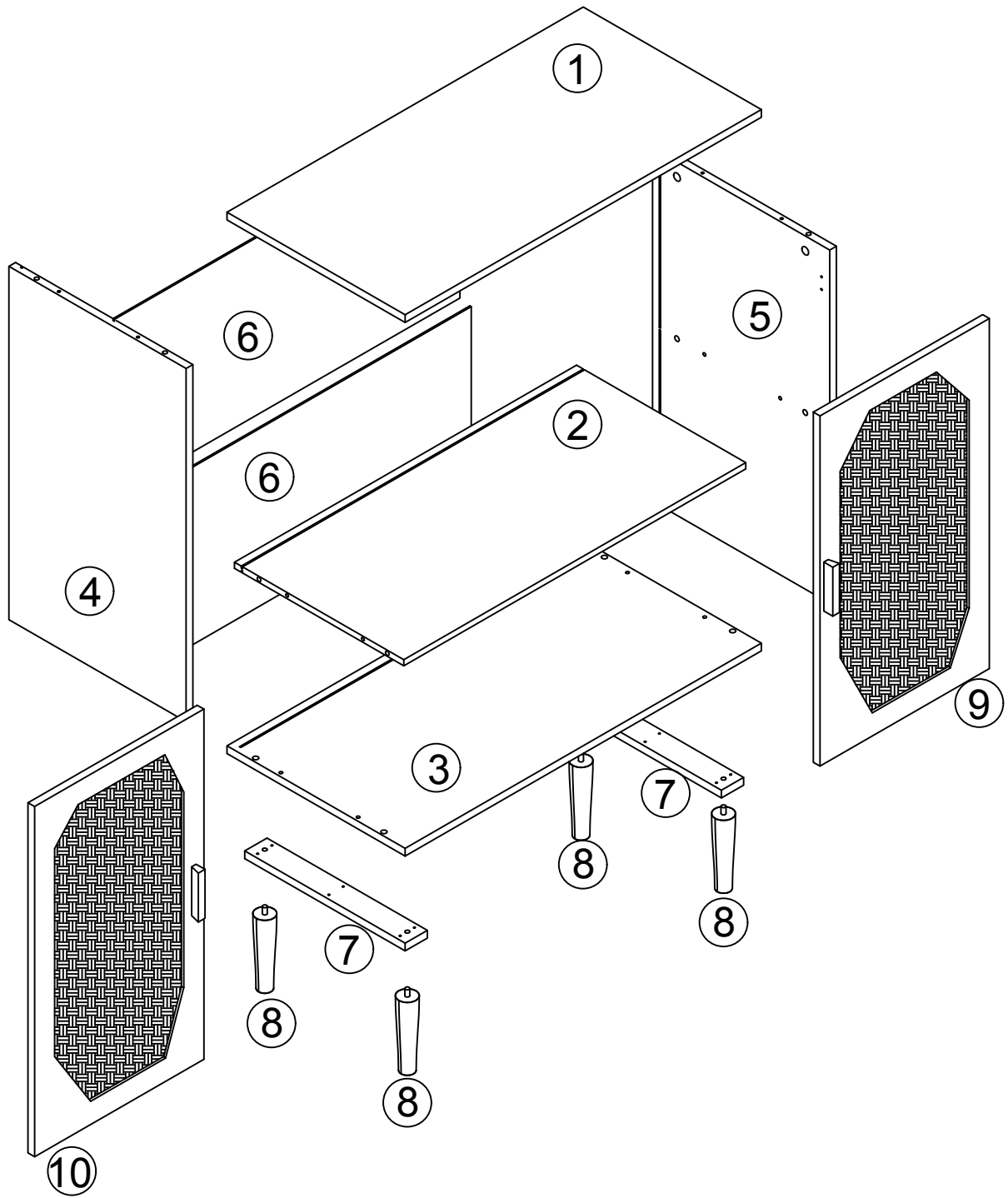
Ⓚ X12



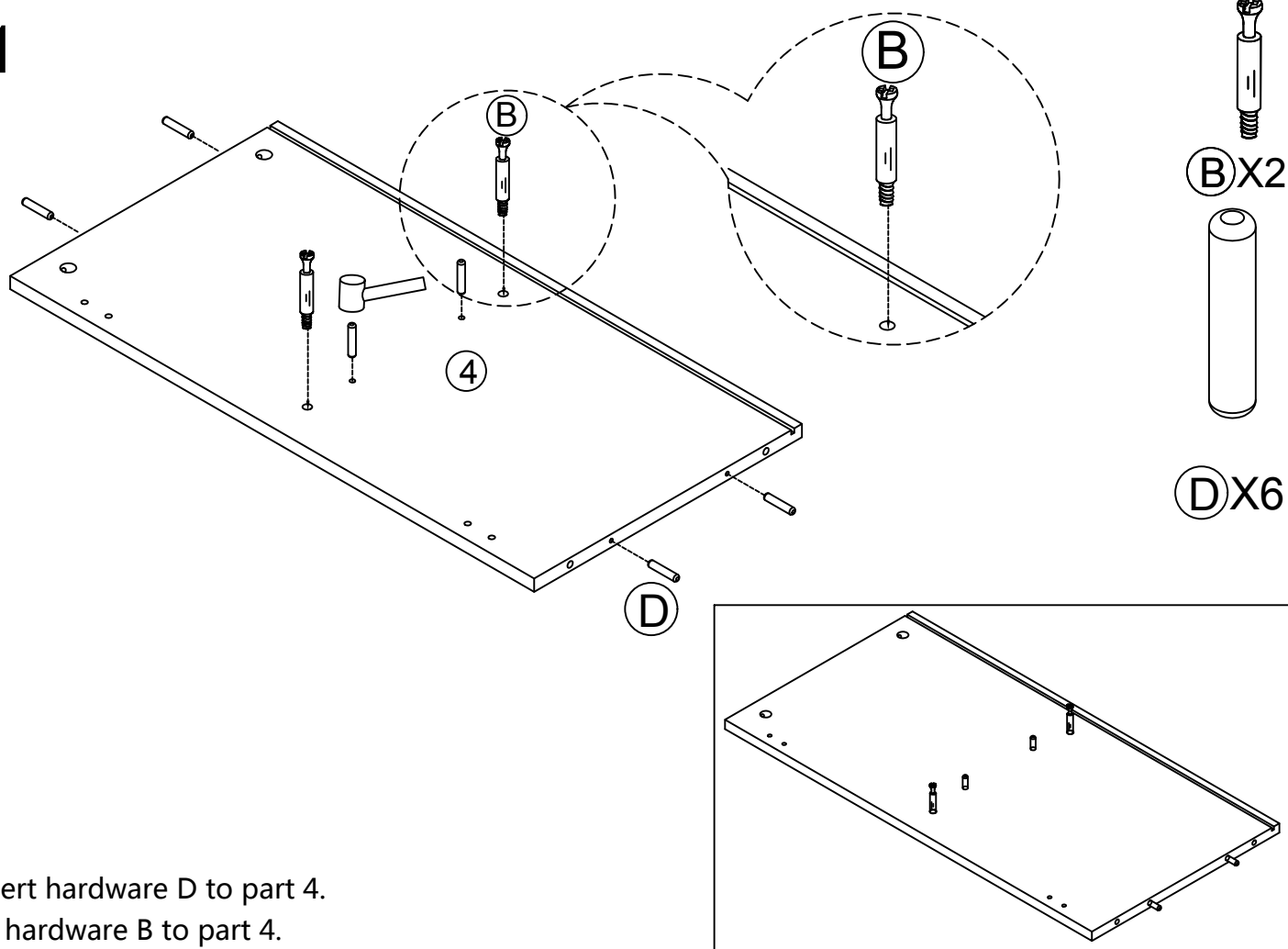
Ⓛ X1



Ⓜ X8

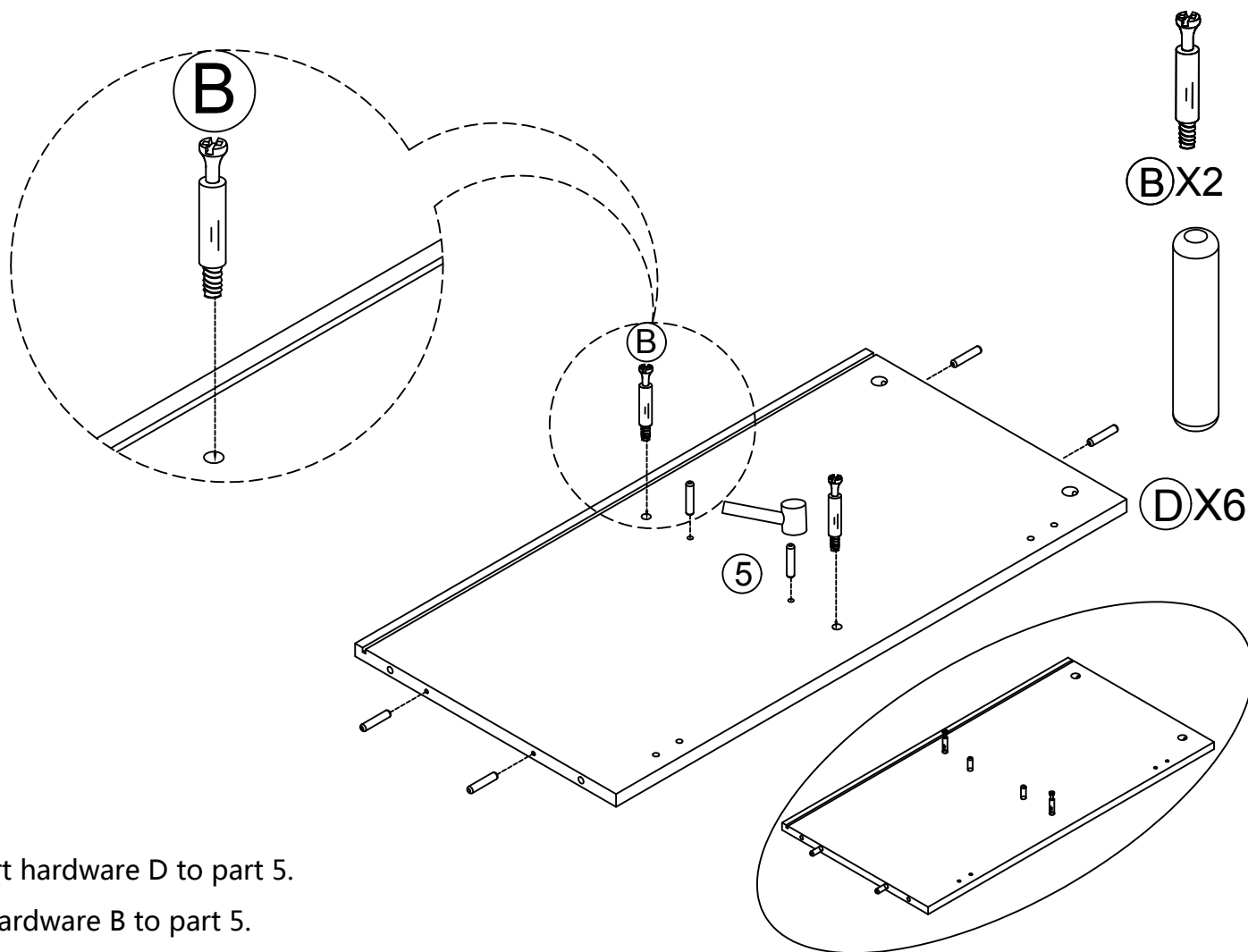


1



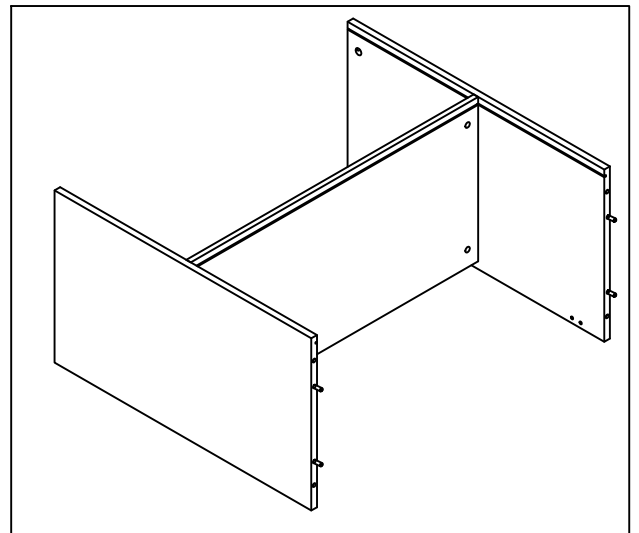
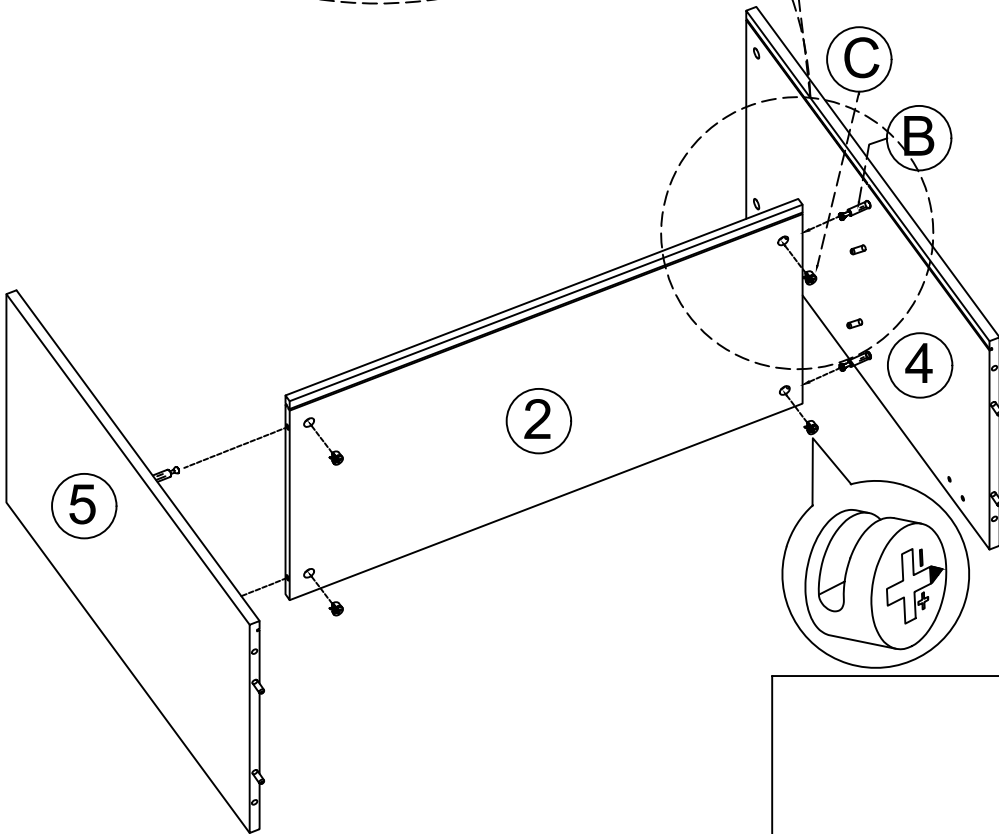
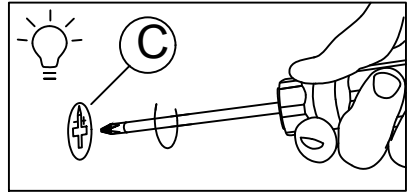
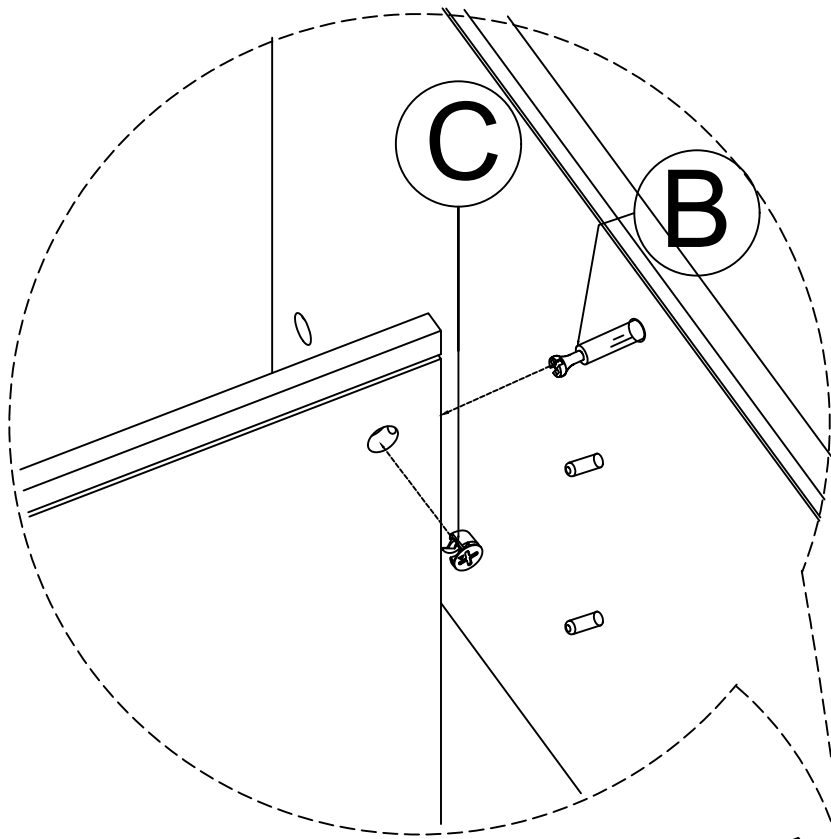
Insert hardware D to part 4.  
Fix hardware B to part 4.

2



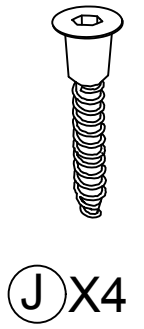
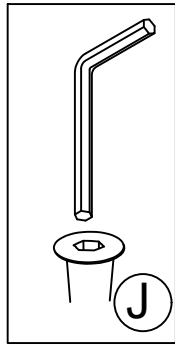
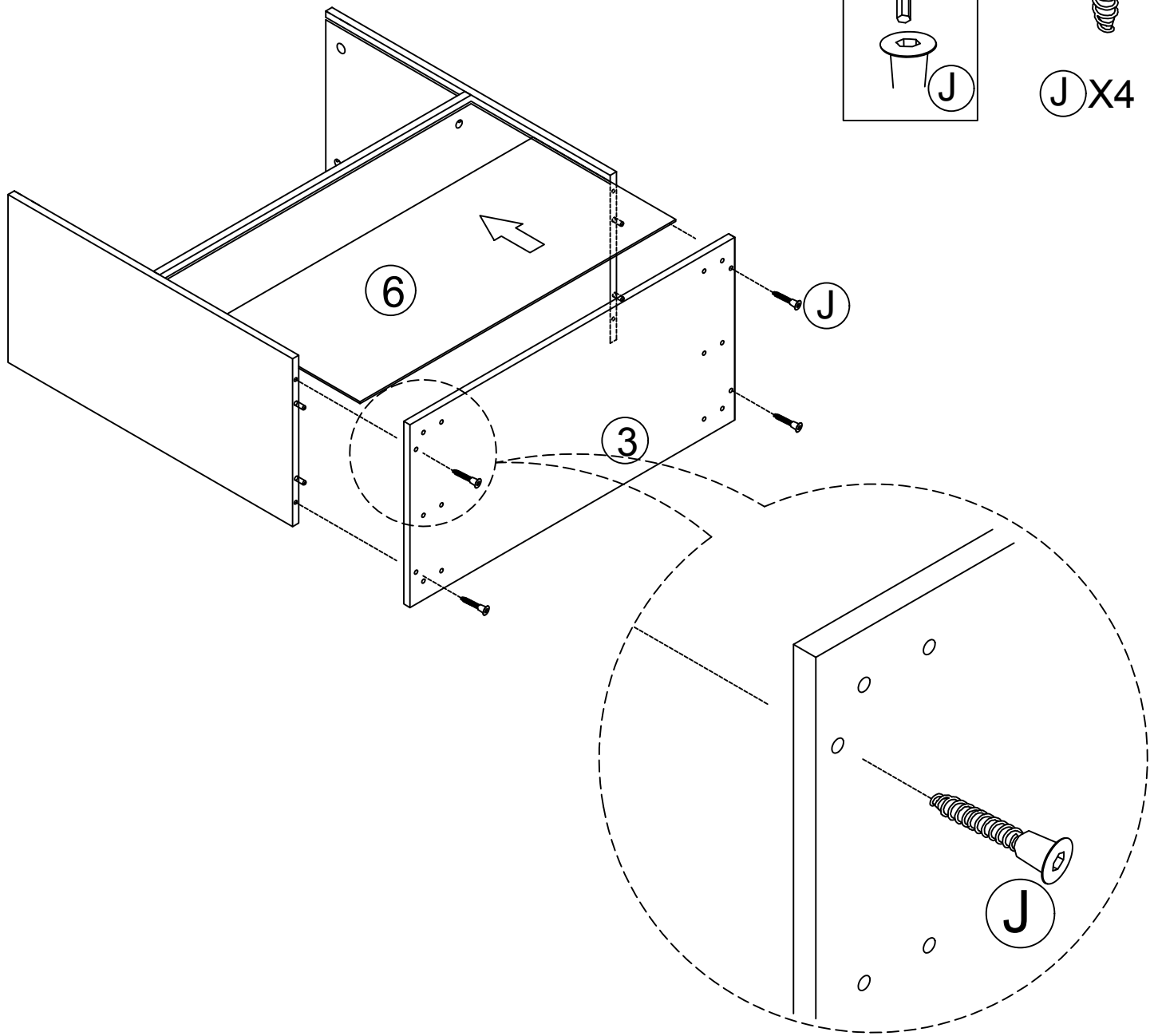
Insert hardware D to part 5.  
Fix hardware B to part 5.

3

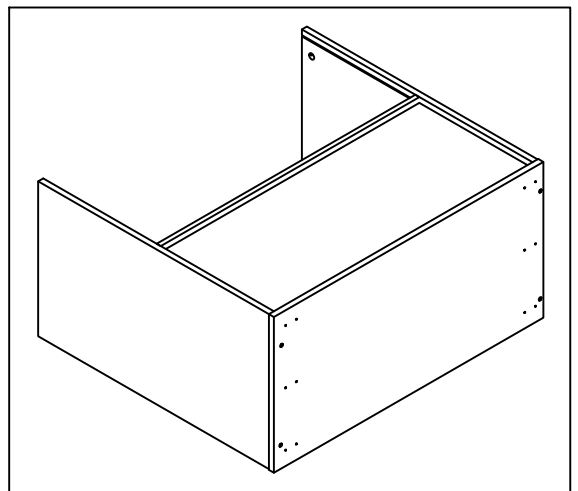


Connect Part 5, Part 4 to Part 2 through B and D , tighten them with hardware C.

4

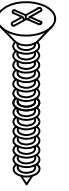
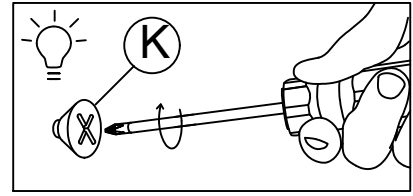


J X4

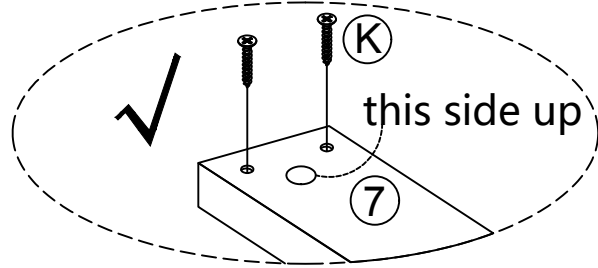
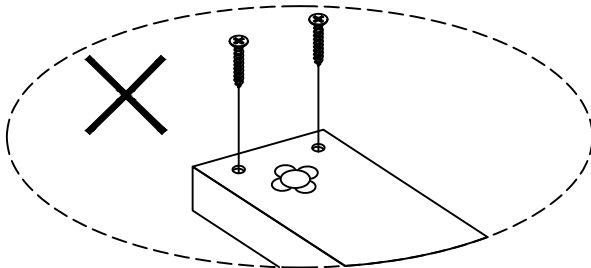
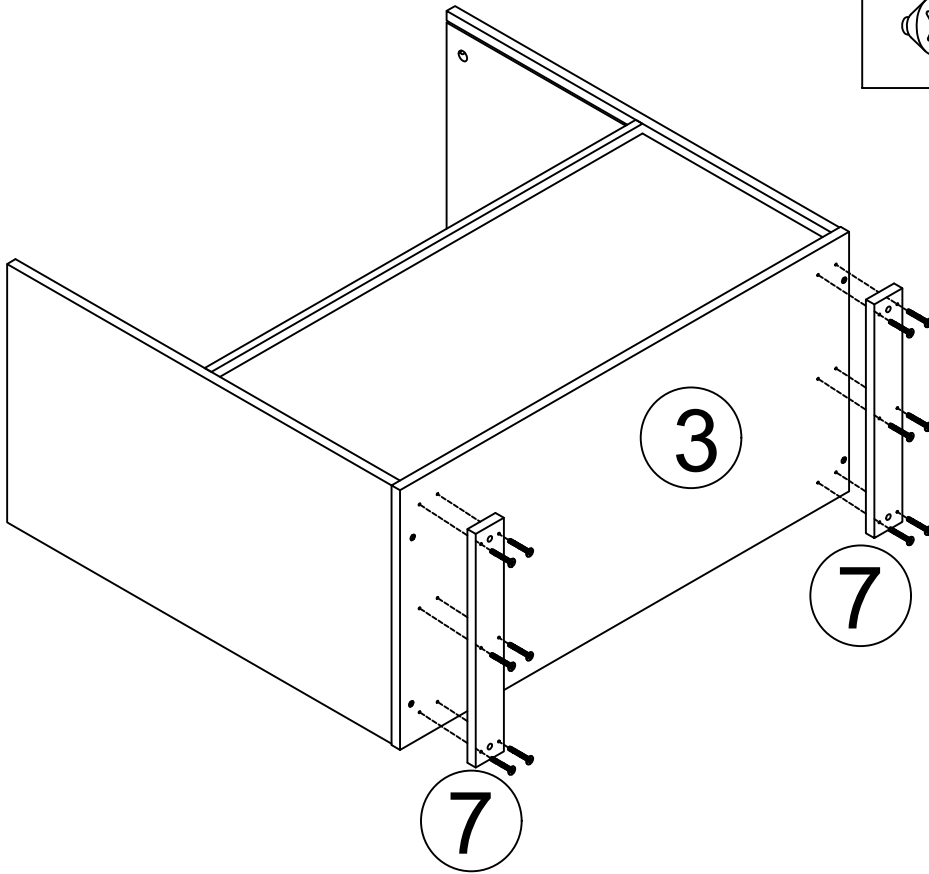


Put Part 6 to the groove of Part 4 and Part 5 .  
Connect Part 3 to Part 4 and Part 5 through D ,tighten  
them with hardware J.

5

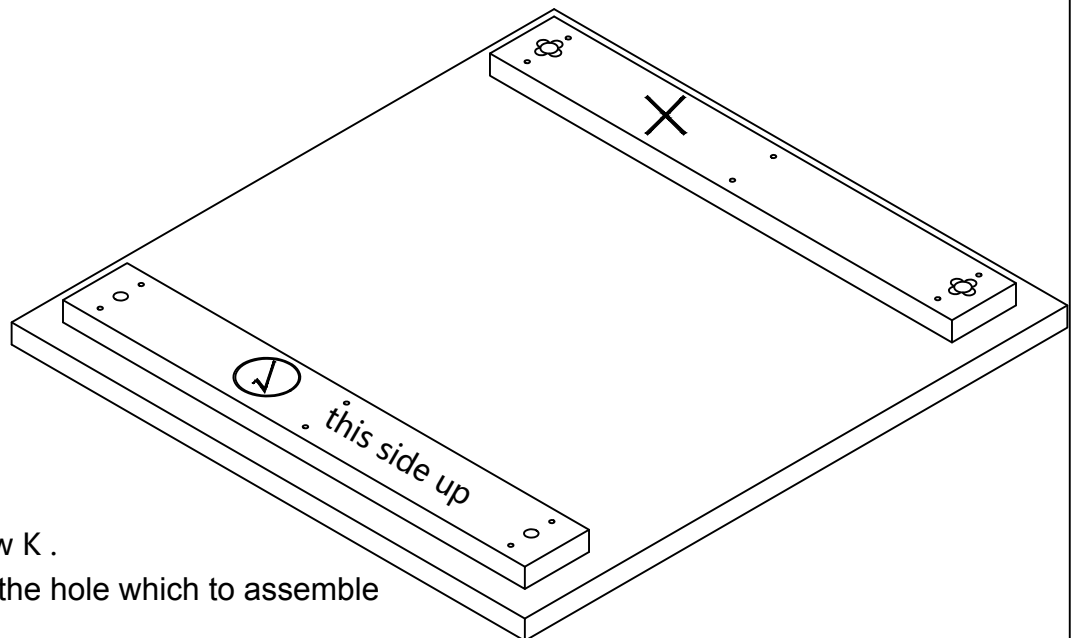


ⓀX12



 **Attention**

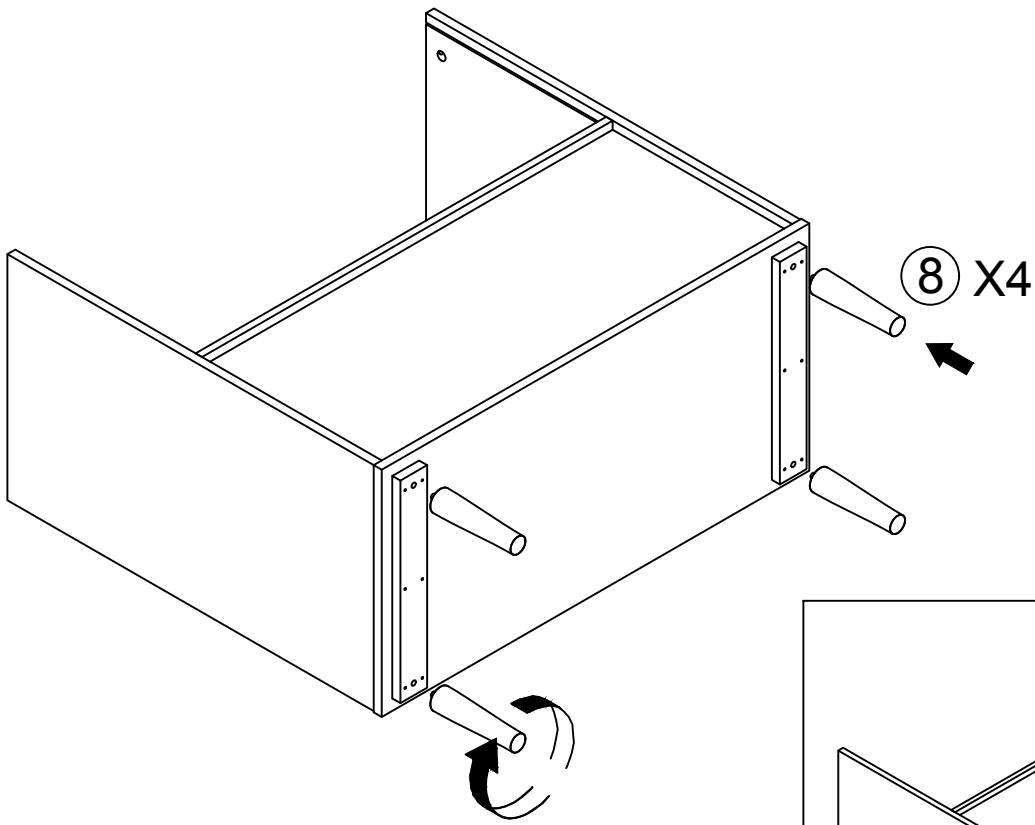
When you assemble the part 7 to the board 3 and see the ✓ facing your face, that means the direction of the part 7 is right.



Fix Part 7 to Part 3 with screw K .  
Please check the direction of the hole which to assemble the leg

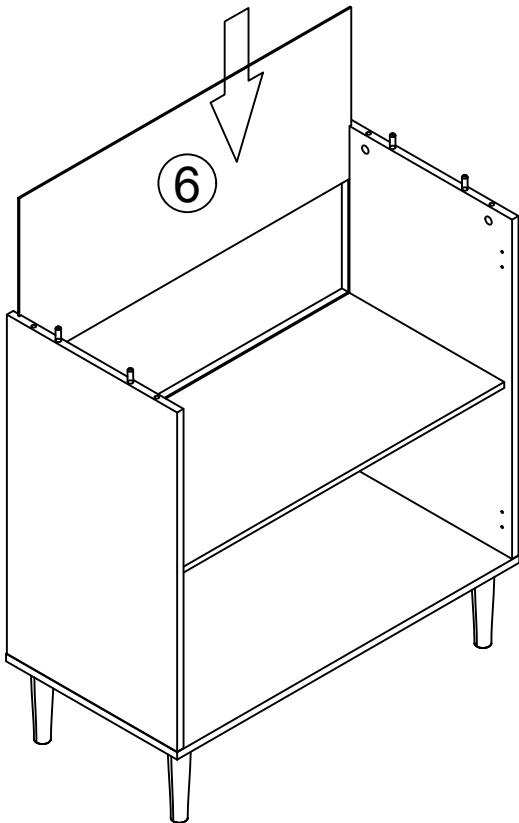


6



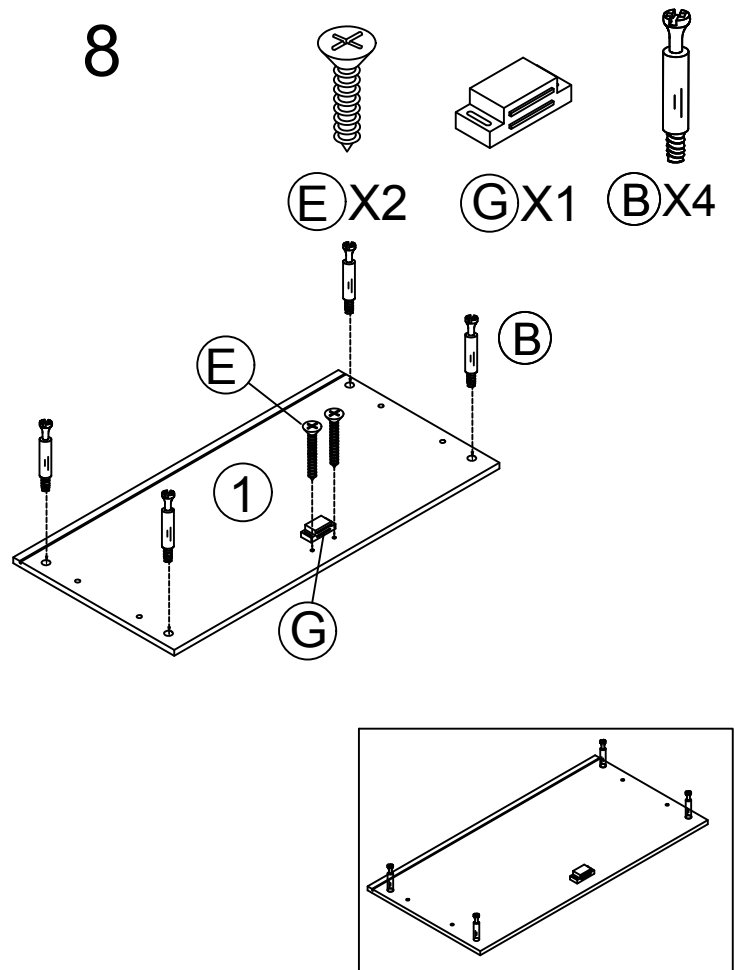
Screw Part 8 to Part 7

7



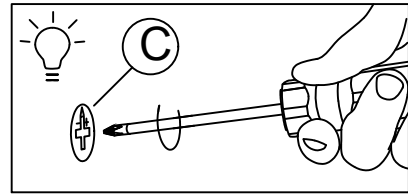
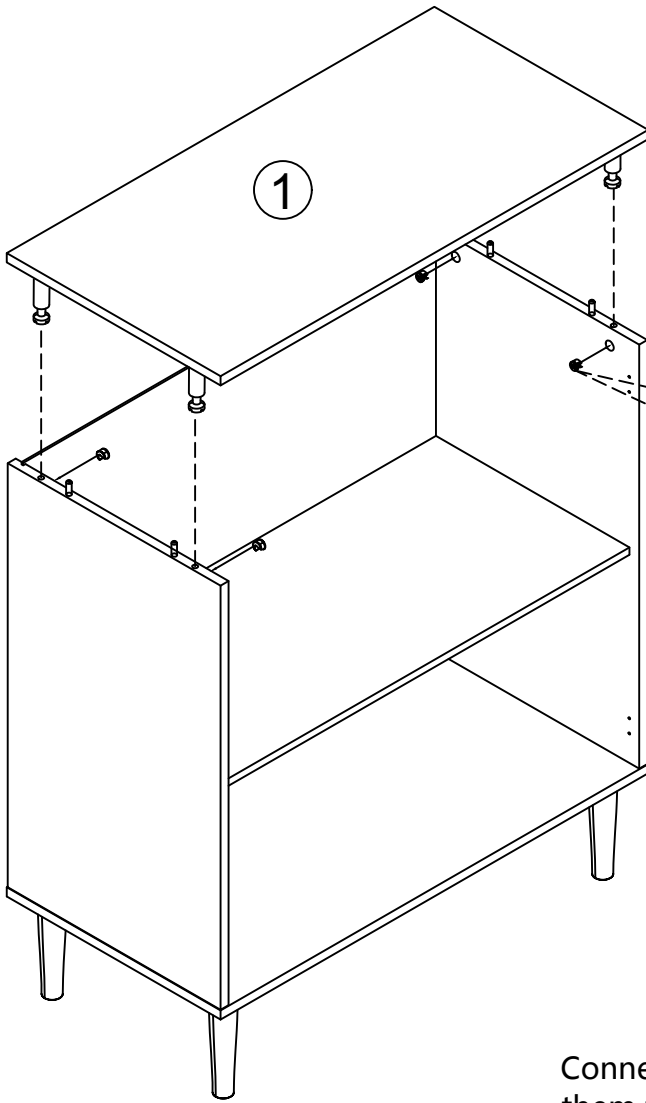
Put Part 6 to the groove of Part 4 and Part 5 .

8

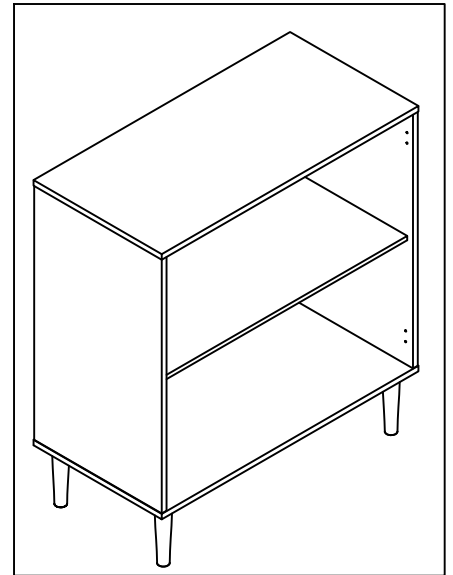
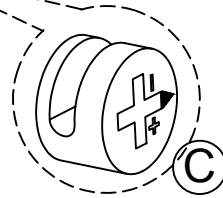


Fix hardware B to part 1.  
Fix hardware G to Part 1 with screw E.

9

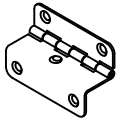
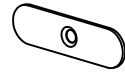
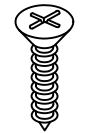
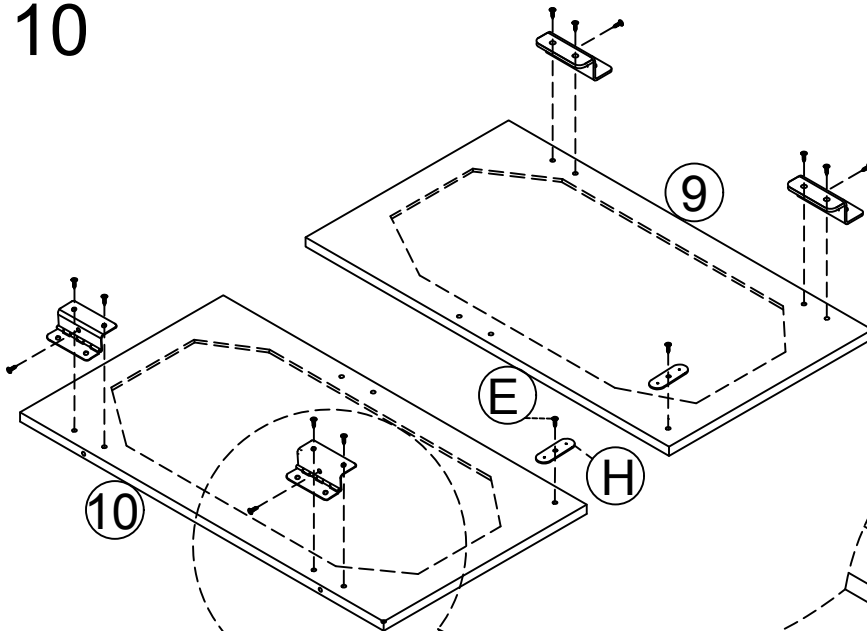


(C) X4



Connect Part 5, Part 4 to Part 1 through B and D, tighten them with hardware C.

10

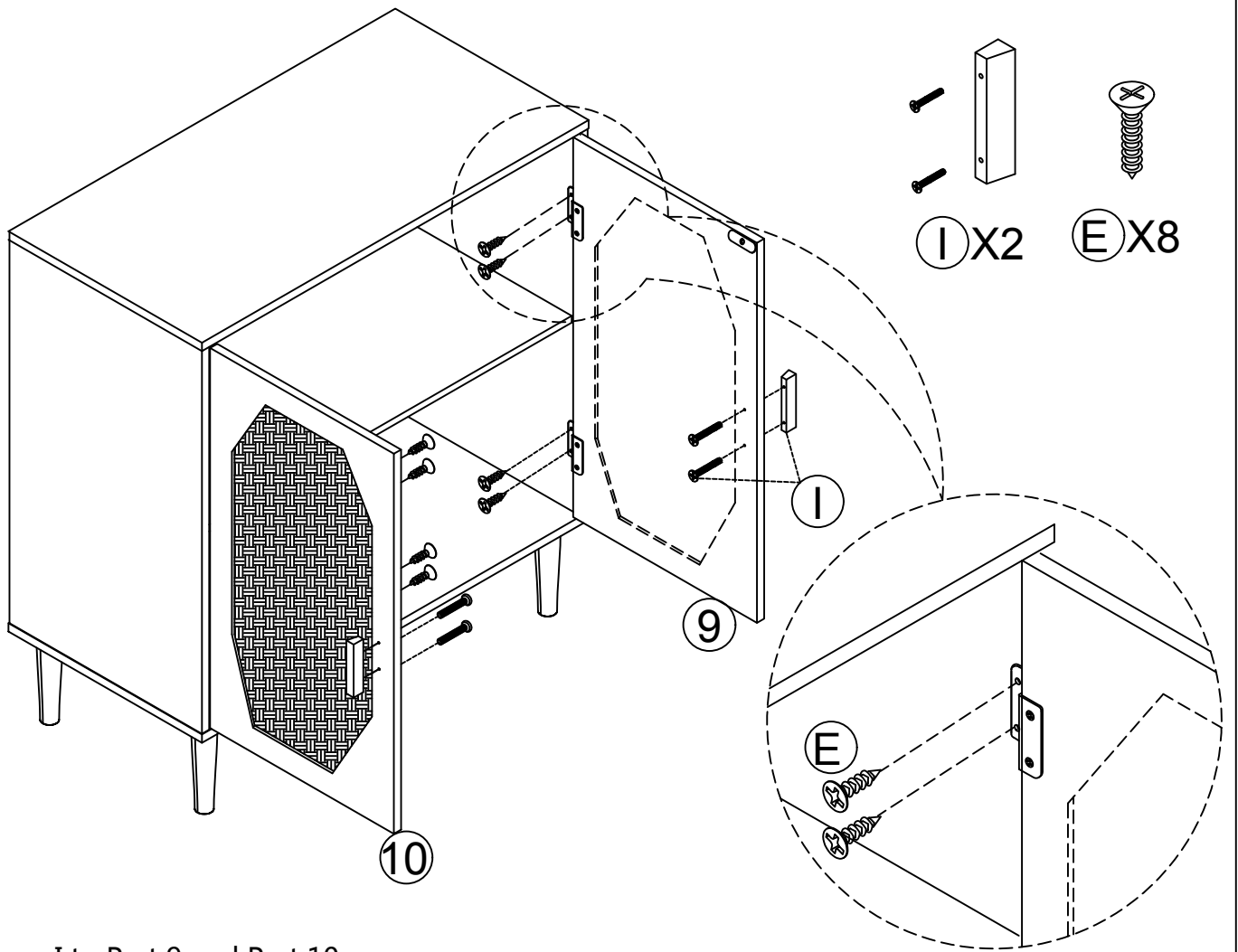


(E) X14 (H) X2

(F) X4

Fix hardware H to part 9 and part 10.  
Fix hardware F to Part 9 and Part 10 with screw E.

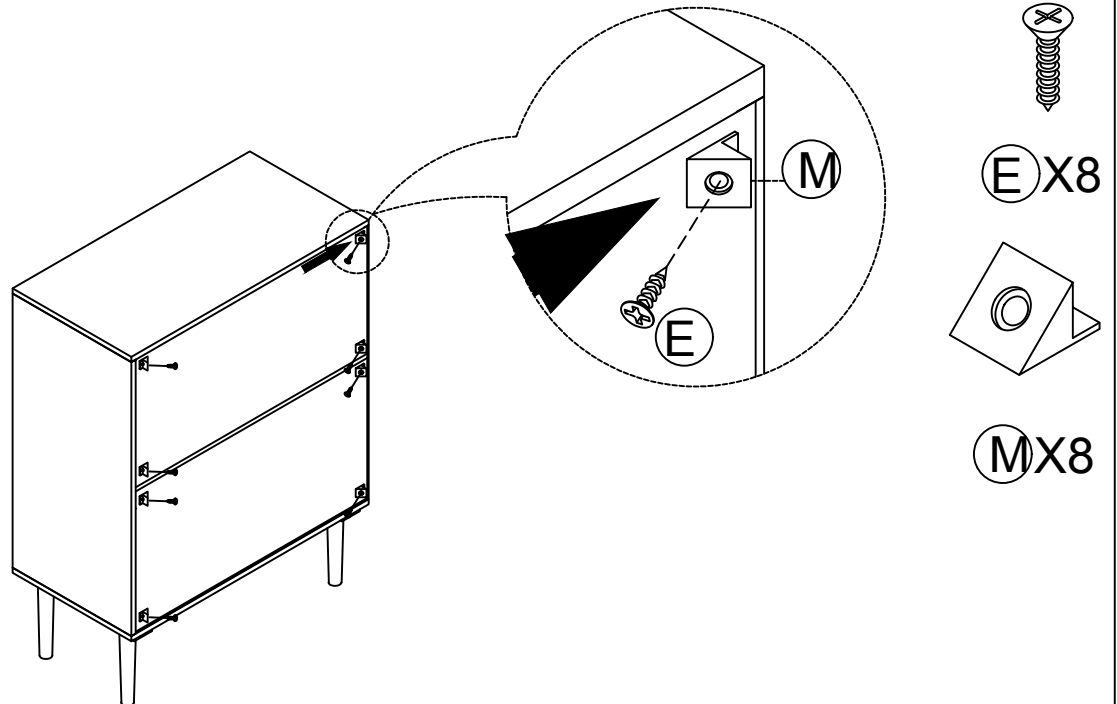
11



Fix hardware I to Part 9 and Part 10 .

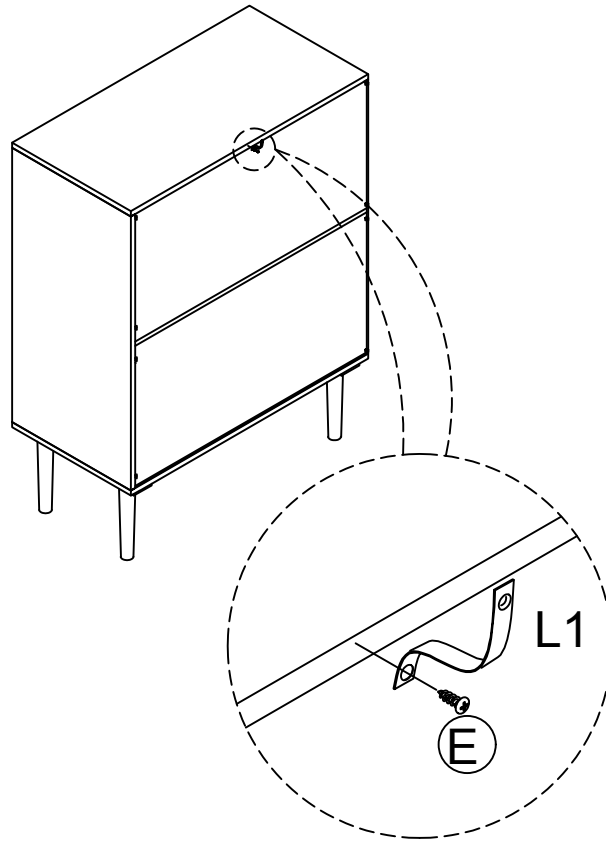
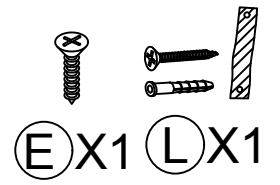
Fix Part 7 and Part 8 to Part 4 and Part 5 with screw E.

12

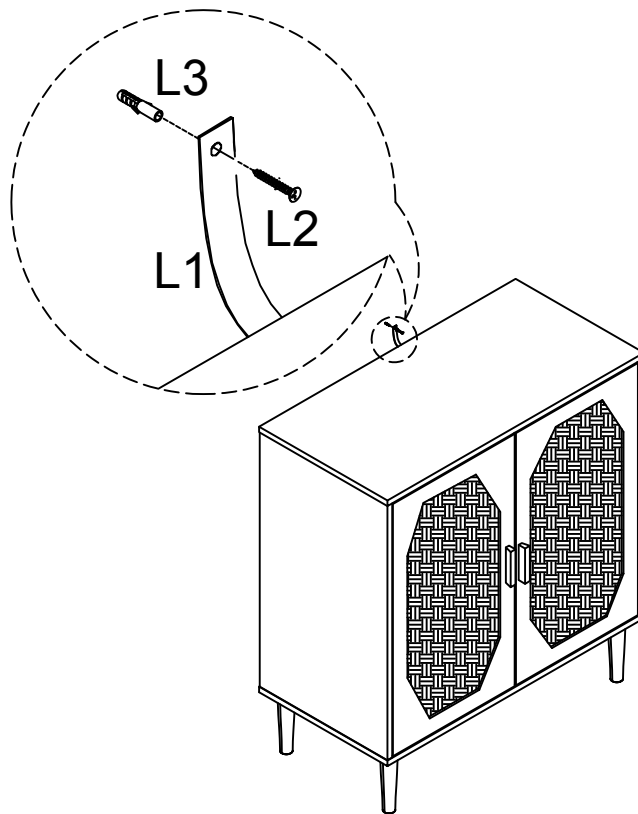


Put hardware M to the groove and tighten them with hardware E .

13



Fix hardware L1 to Part 1 with screw E.



Fix hardware L3 to the wall .

Fix hardware L2 to hardware L3 with hardware L1 .