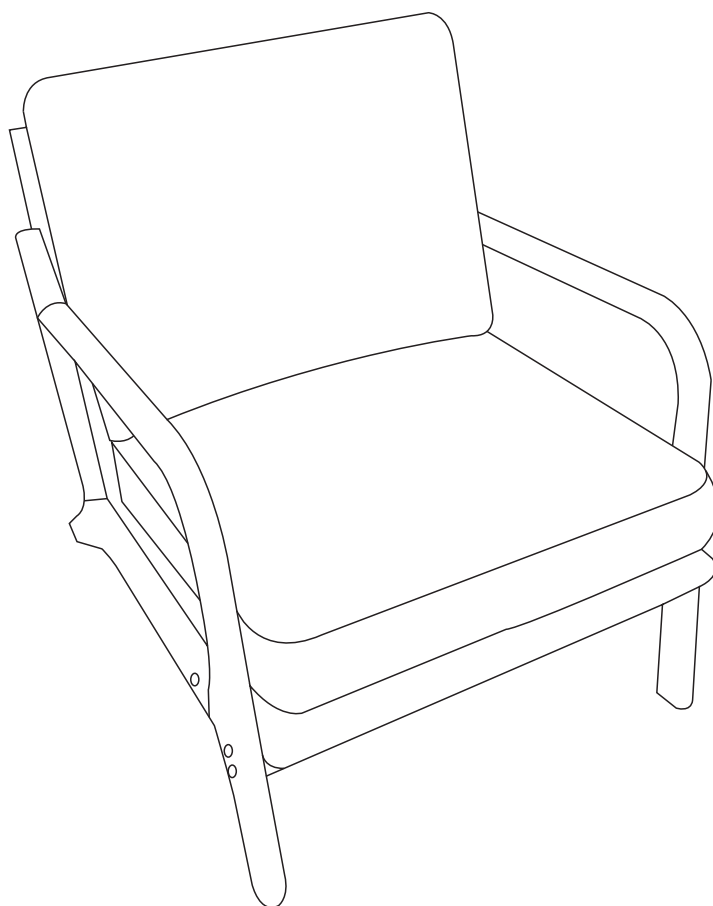
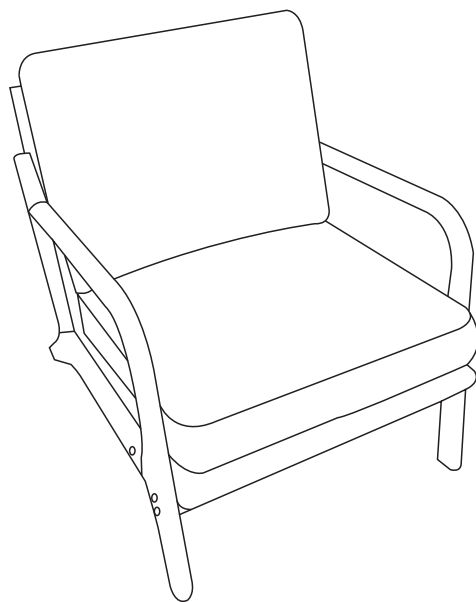
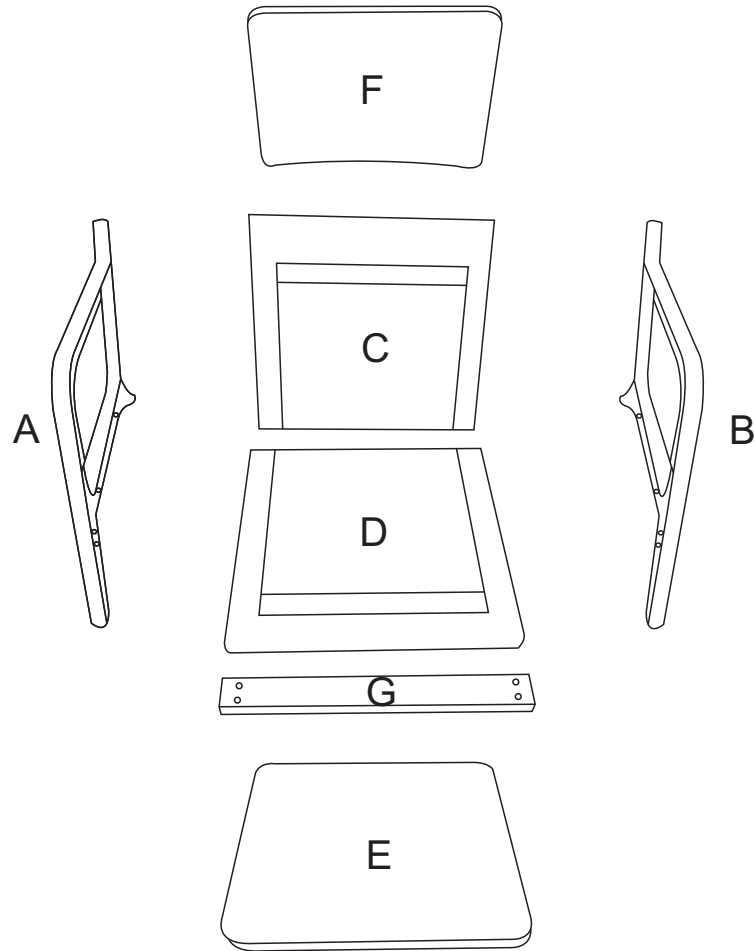


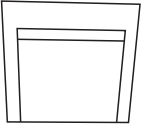
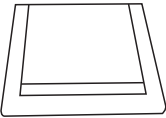
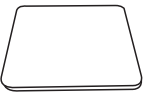



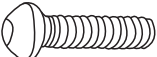




Assembly Instruction



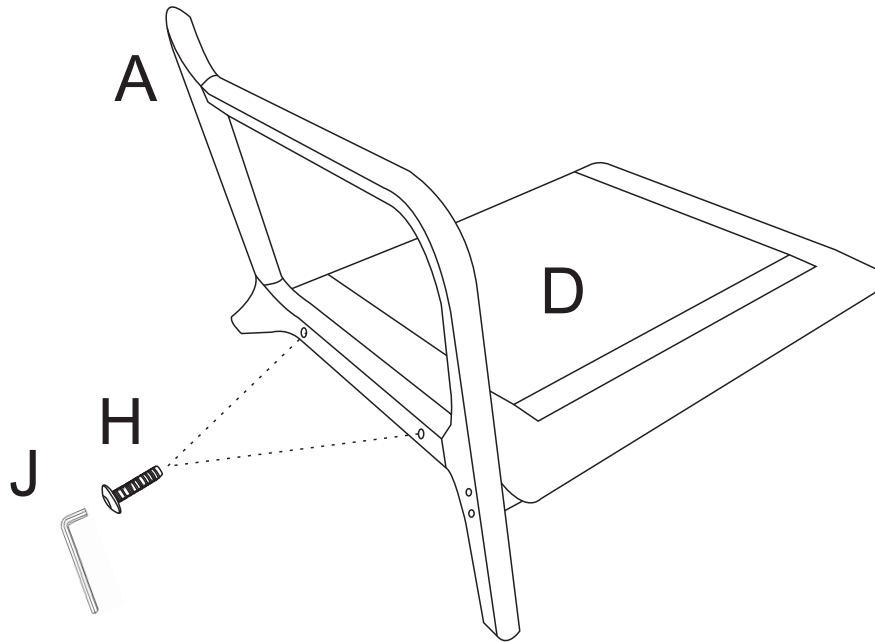
Components



NO	PARTS	QTY	DESCRIPTION
A		1 PC	Left Arm-rest frame
B		1 PC	Right Arm-rest frame
C		1 PC	Back frame
D		1 PC	Seat frame
E		1 PC	Seat Cushion
F		1 PC	Back Cushion
G		1 PC	Crosspiece
H		8 PCS	M8*40mm Screw
I		4 PCS	M8*60mm Screw
J		1 PC	Allen Key
K		12 PCS	Cork

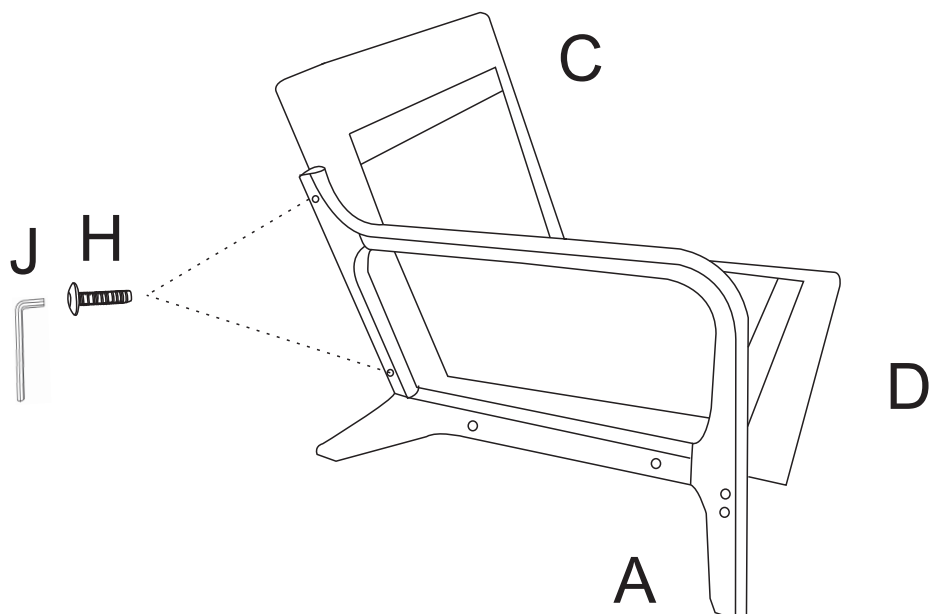
STEP 1

Connect Seat frame D to Left Arm-rest frame A with screw H



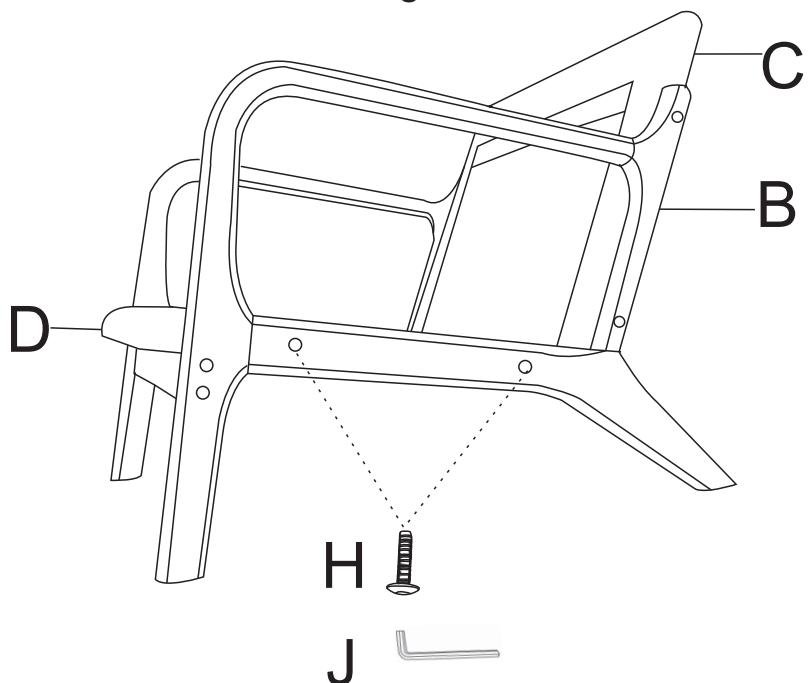
STEP 2

Connect Back frame C to Left Arm-rest frame A with screw H



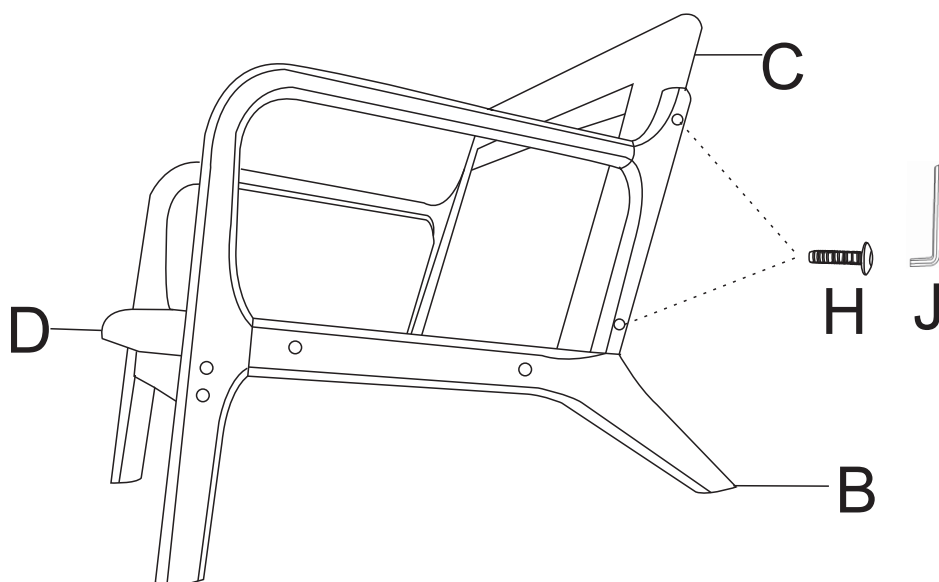
STEP 3

Connect Seat frame D to Right Arm-rest frame B with screw H



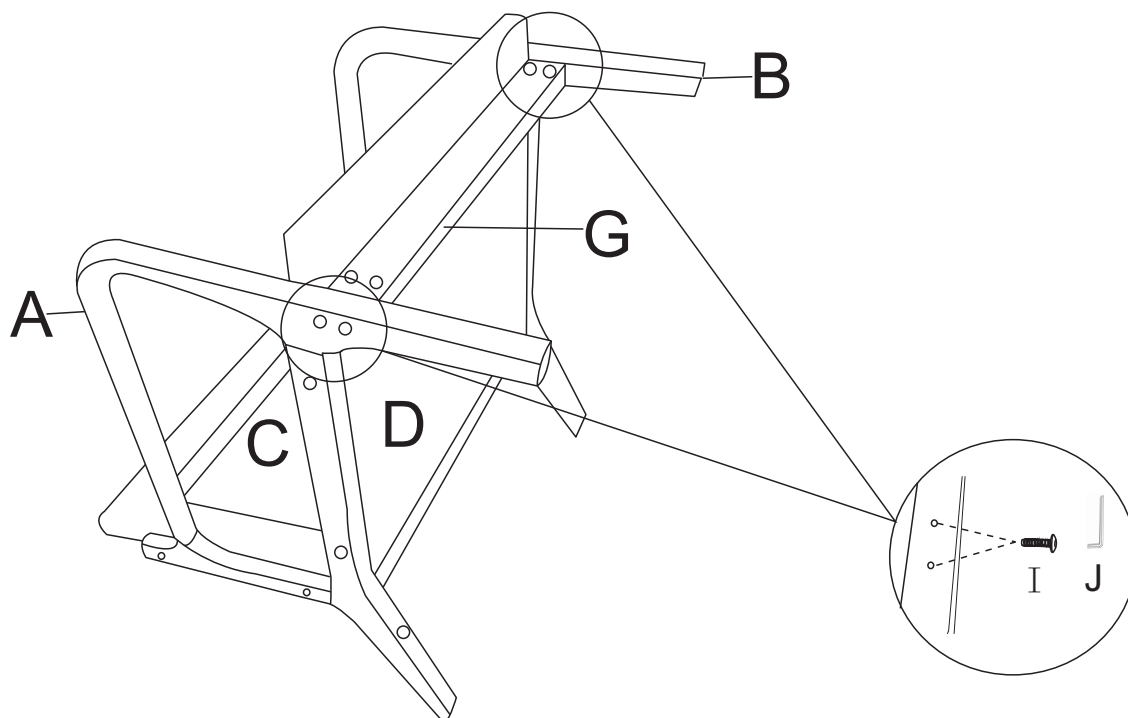
STEP 4

Connect Back frame C to Right Arm-rest frame B with screw H

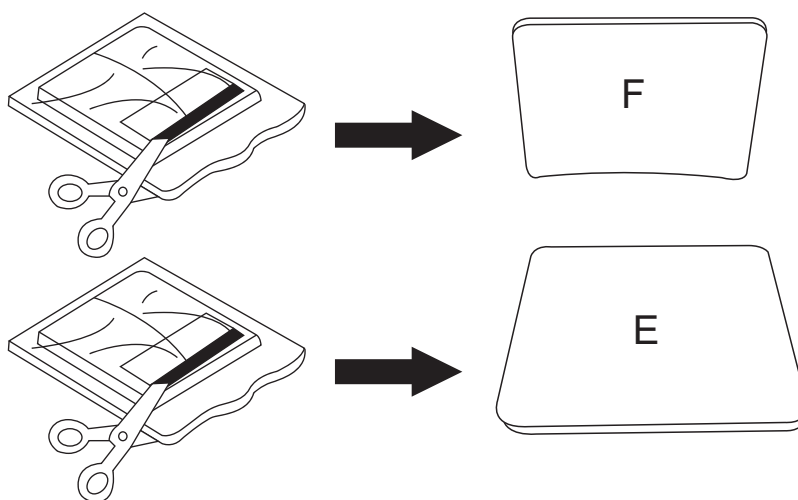


STEP 5

Connect Arm A/B and Crosspiece G with screw I



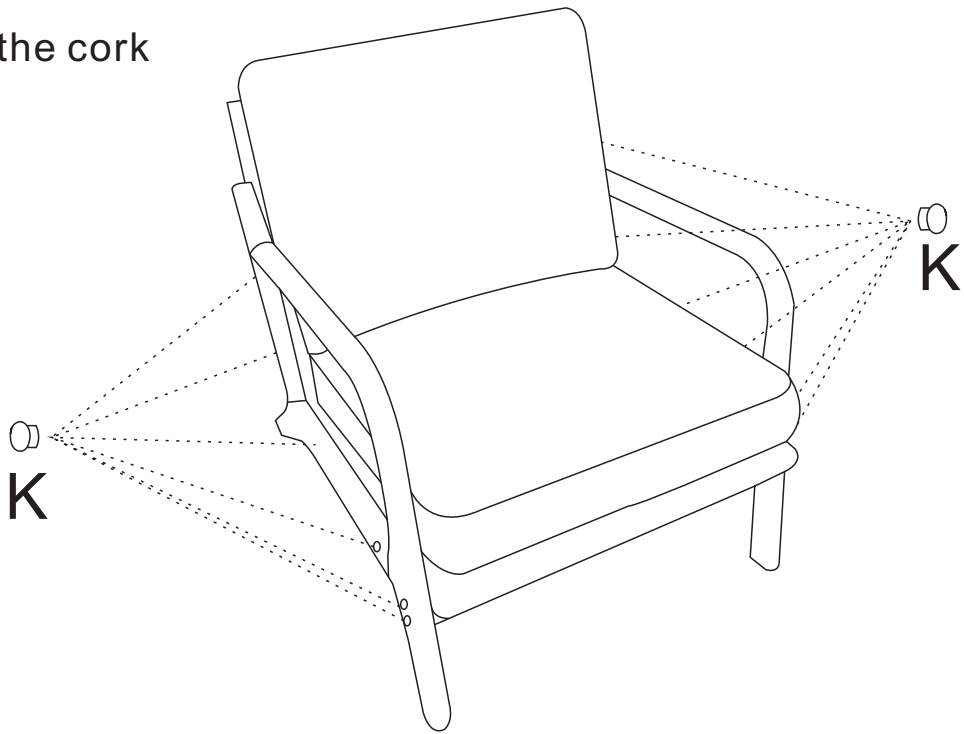
STEP 6



1. Cut open the compression package and remove the seat cushion and back cushion
2. Compression package after cutting, after standing for 24 hours, more comfortable

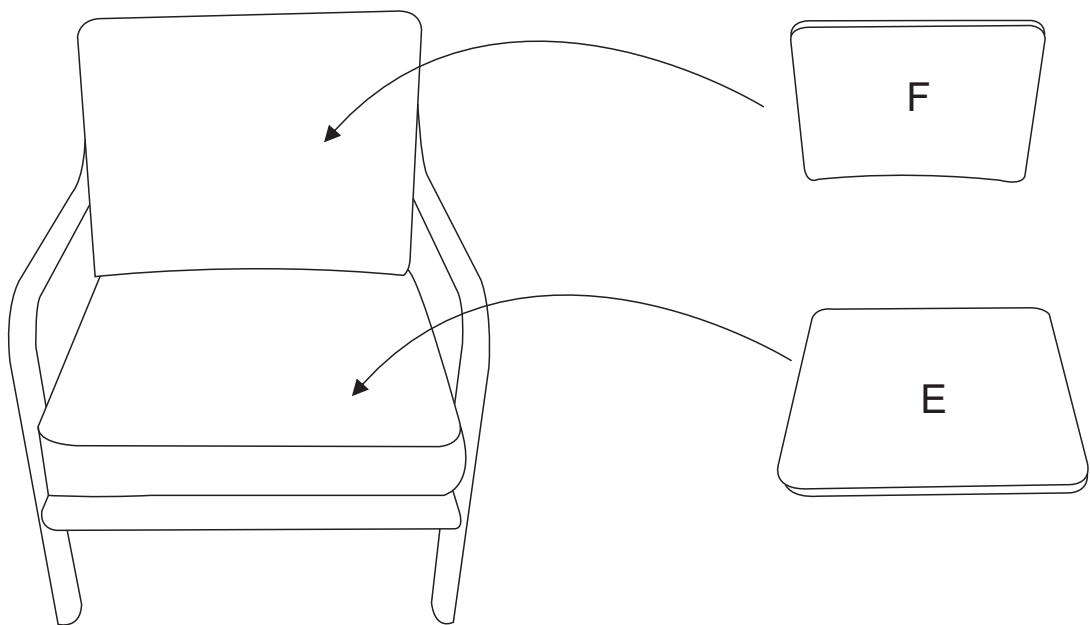
STEP 7

Load in the cork



STEP 8

Have cushion F and E placed respectively



STEP 9

Well done!

