






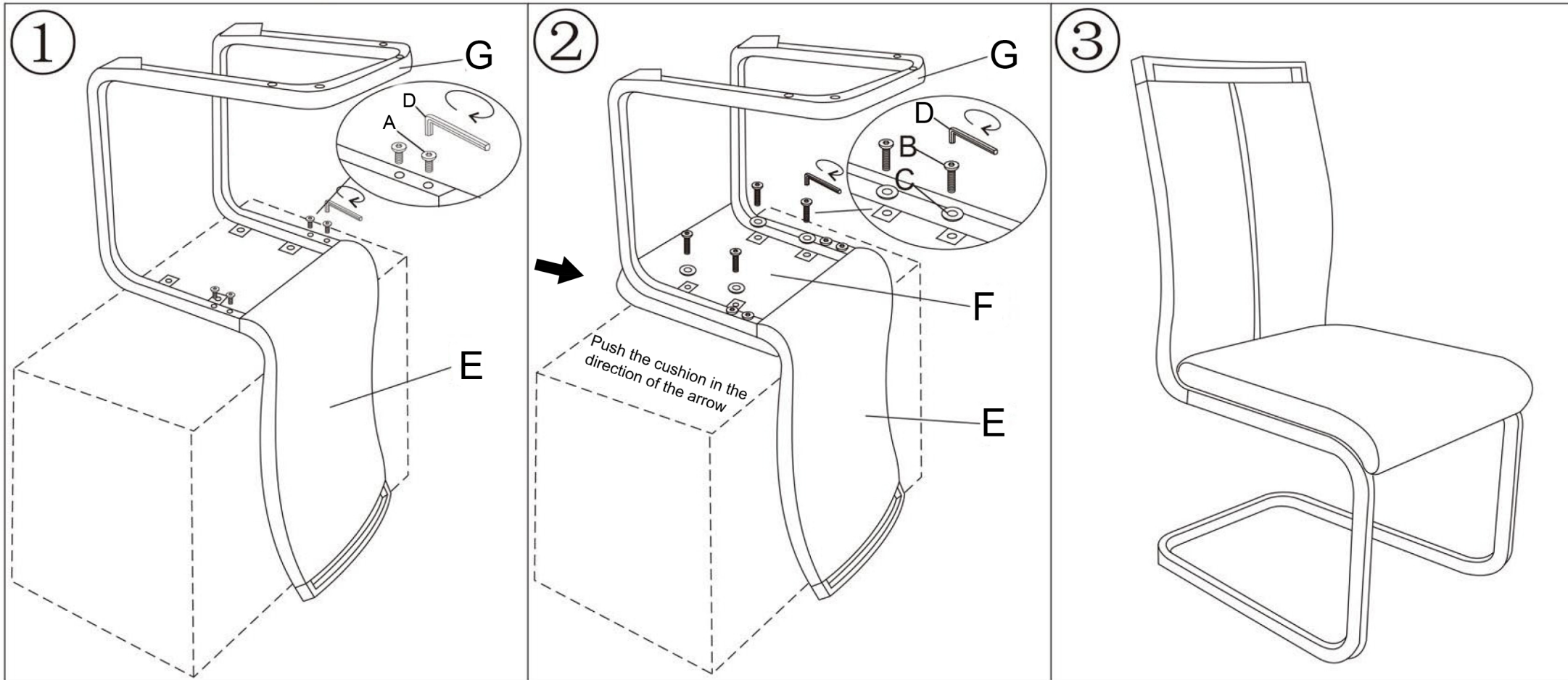


ASSEMBLY INSTRUCTION

Hardware

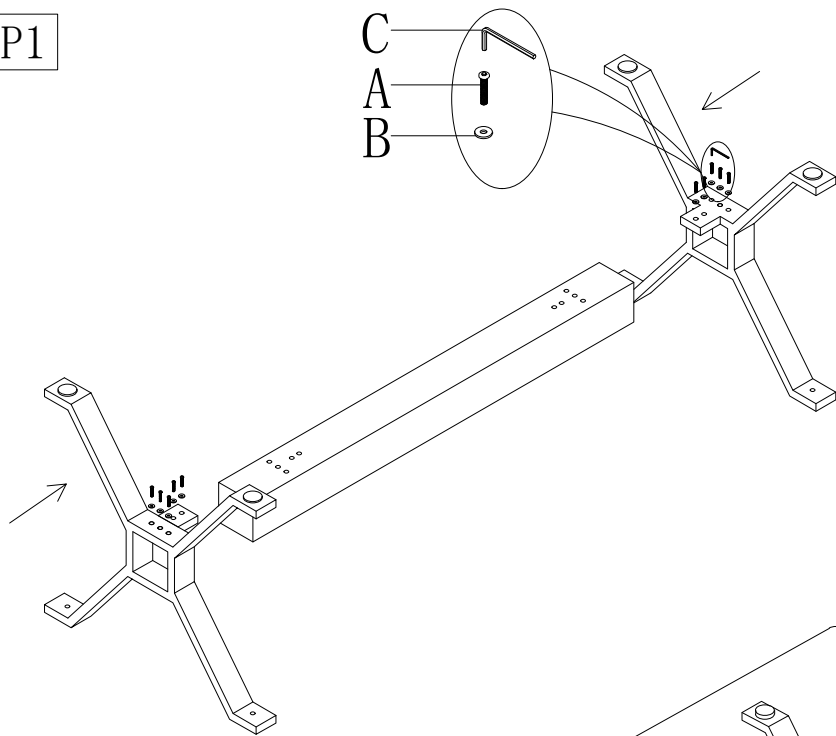
A	B	C	D	E	F	G	
 M6x10	 M6x20	 M6x18	 M4	 x1	 x1	 x1	
x4	x4	x4	x1	x1	x1	x1	

Assemble Step

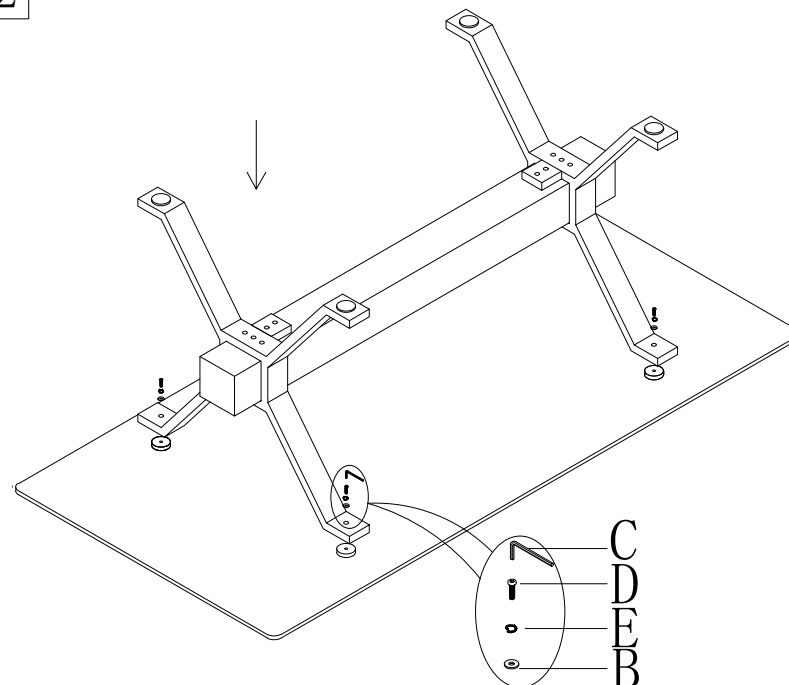


ASSEMBLY INSTRUCTION

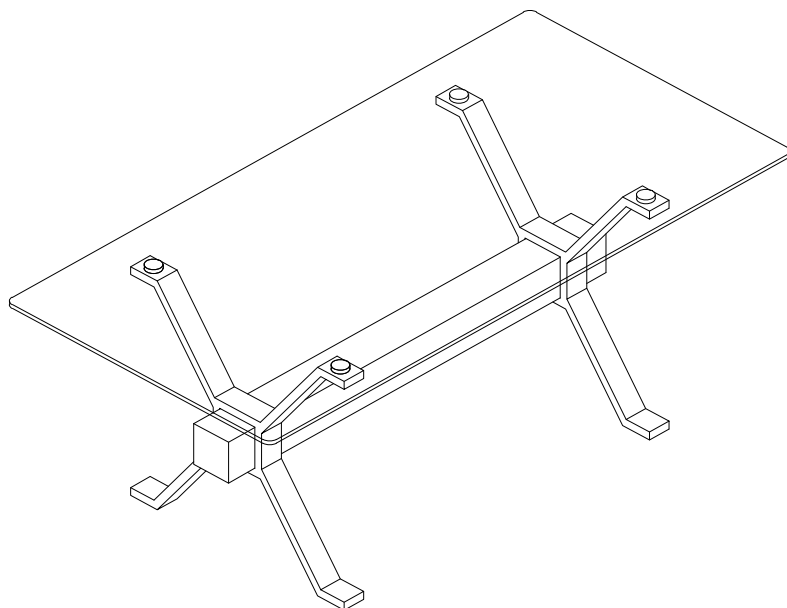
STEP1








STEP2



F-1105-1R



At least 2 people are required for product assembly

A	 M8*50	10pcs
B	 ø22	14pcs
C	 M5	1pc
D	 M8*35	4pcs
E	 ø13	4pcs