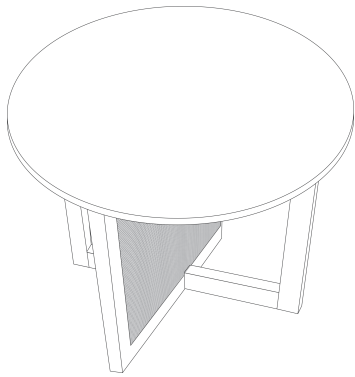
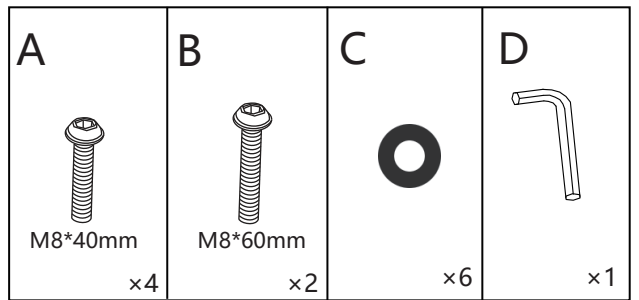
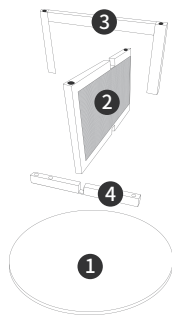
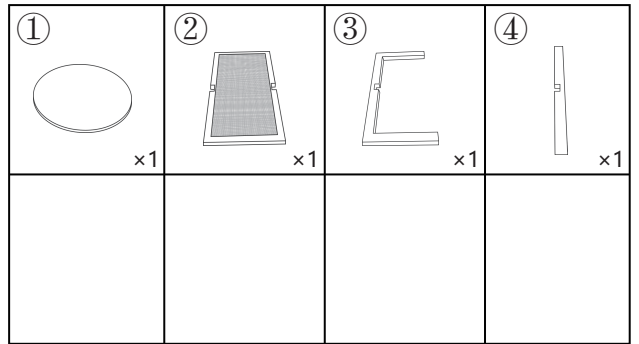


# ASSEMBLY INSTRUCTIONS



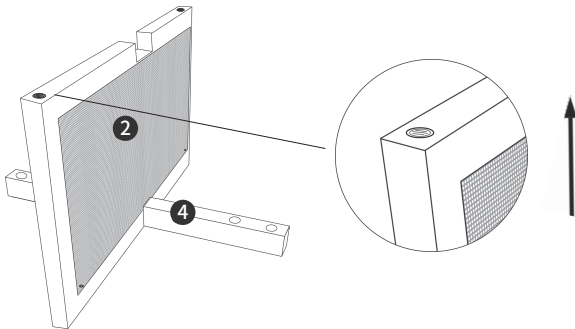
Parts

CT-DI-400-RDYM



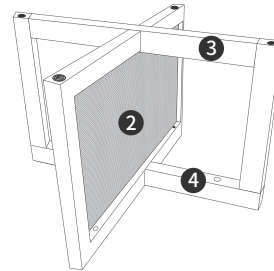
## STEP 1

Align 2 and 4 with the grooves and connect them together.



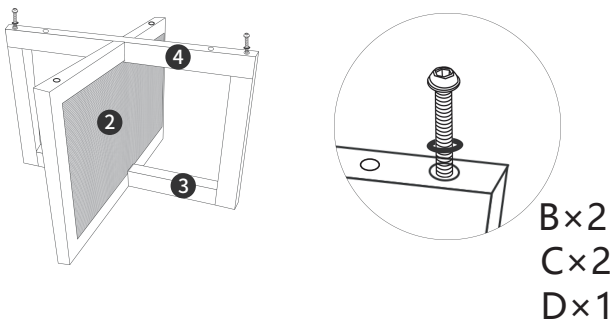
## STEP 2

Place 3 on top of the connected 2 and 4, and align it with the card slot and install it.



## STEP 3

Flip over the connected 2, 3, and 4, insert B into a C and place it in the holes at both ends of 4, and tighten with D.



## STEP 4

Flip over the connected 2, 3, and 4, and place A with C in the inner hole of 4 and the holes at both ends of 2, and tighten with D.

