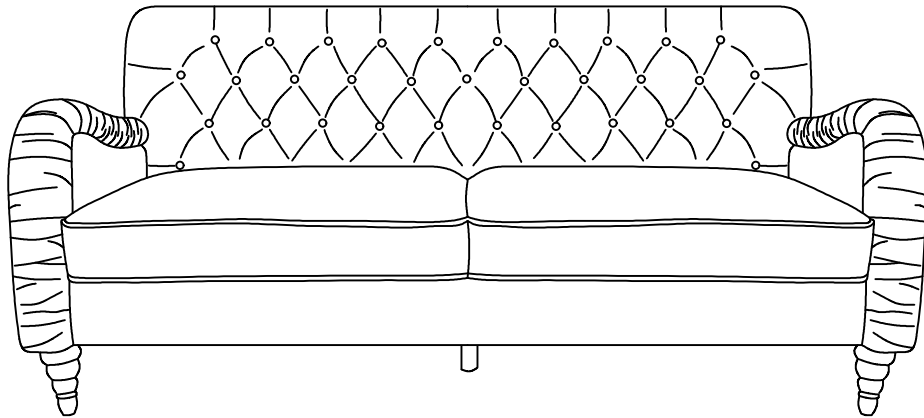
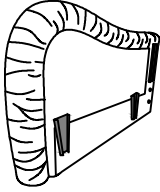
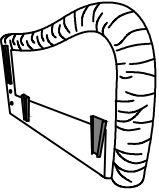

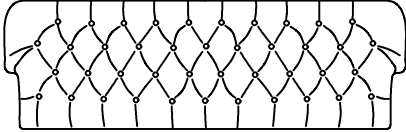
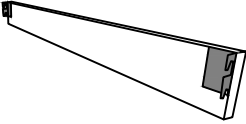





Assembly Instruction





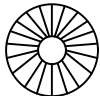
Sofa



Parts List

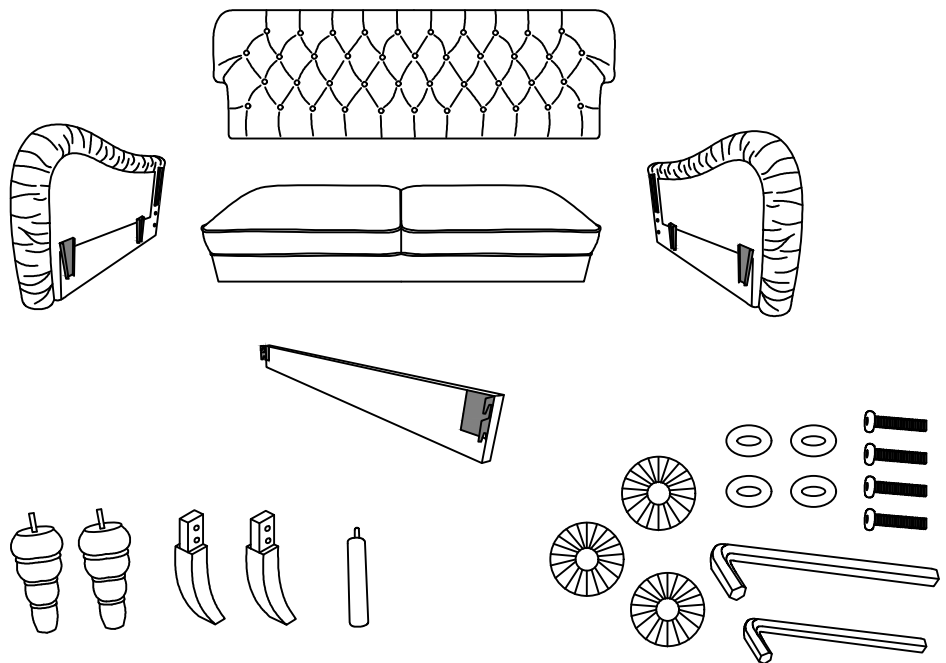
Label	Picture	Description	QTY
AL	 A line drawing of a curved, tufted left armrest with a small rectangular detail on the side.	Left Armrest	1
AR	 A line drawing of a curved, tufted right armrest, similar to the left armrest but mirrored.	Right Armrest	1
B	 A line drawing of a rectangular seat cushion with a tufted top surface.	Seat	1
C	 A line drawing of a rectangular backrest with a tufted, diamond-patterned surface.	Backrest	1
D	 A line drawing of a long, thin, tapered back rail with a small rectangular detail at one end.	Back rail	1
E	 A line drawing of a small, cylindrical front leg with a decorative top.	Front Leg	2
F	 A line drawing of a curved, tapered back leg with a small rectangular detail at the top.	Back Leg	2
G	 A line drawing of a small, cylindrical mid-leg.	Mid-Leg	1

Hardware

Label	Picture	Description	QTY
①		Bolt (M8*50MM)	4
②		Allen Key (5MM)	1
③		Allen Key (4MM)	1
④		Washer	4
⑤		Platic washer	3

Assembly Preparation

Before Beginning Assembly:



● Read instructions, cover to cover.



● Have 2 adults on hand for assembly.



● Do not assemble on flooring or carpet.

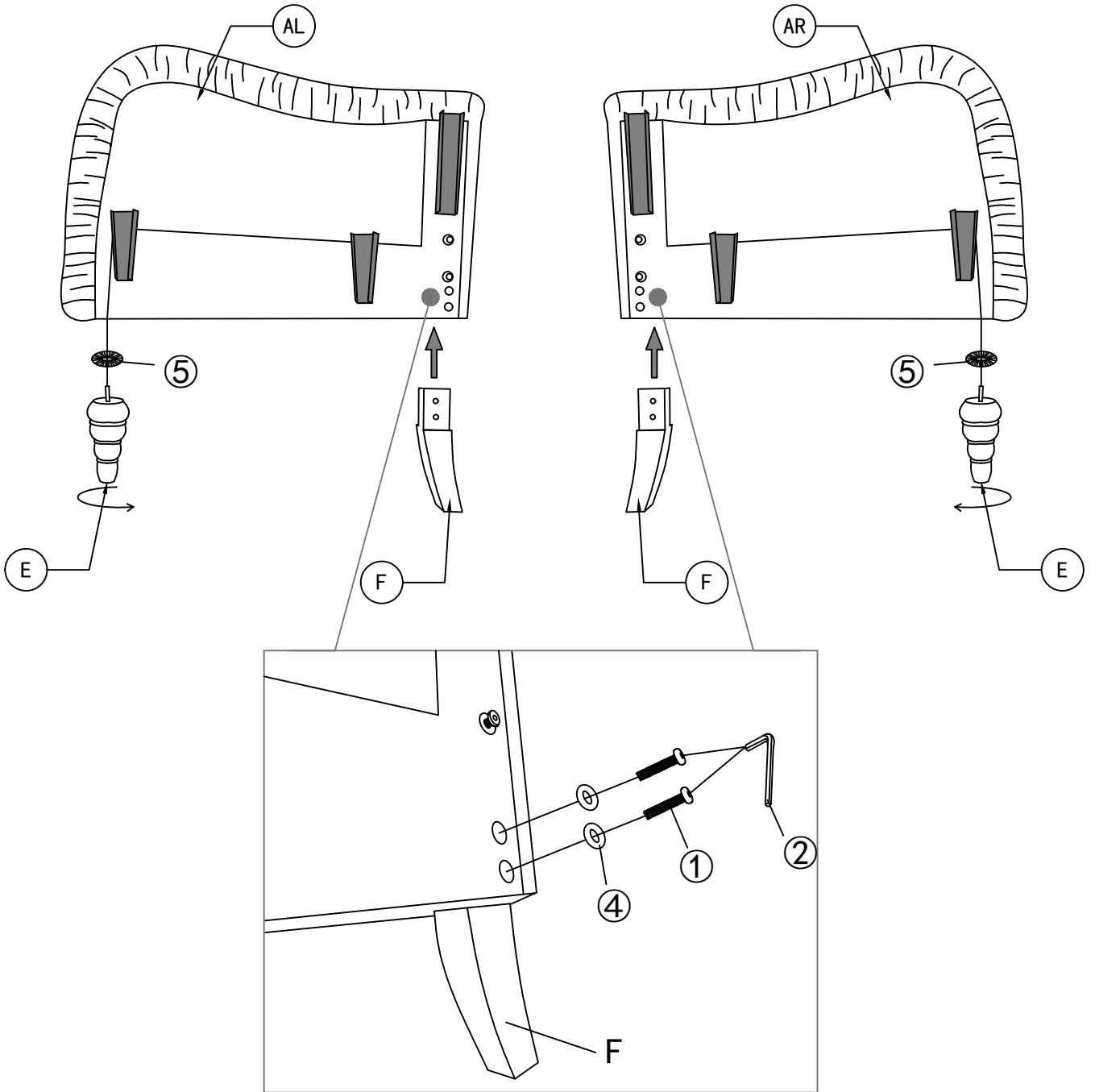


● Assemble on a clean non-marring surface (packing foam).

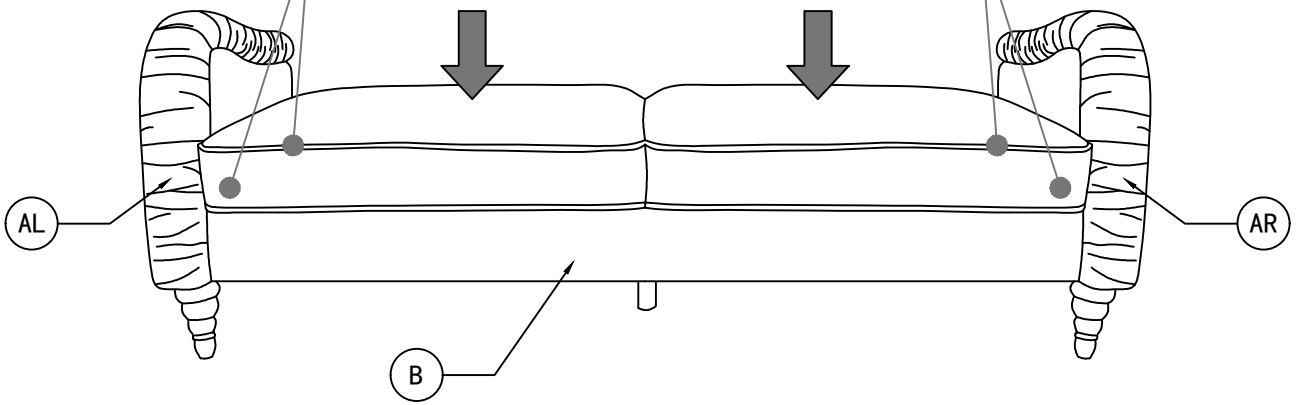
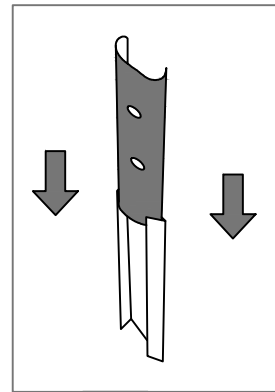
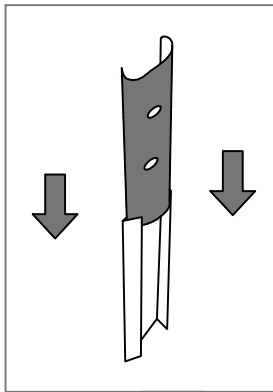
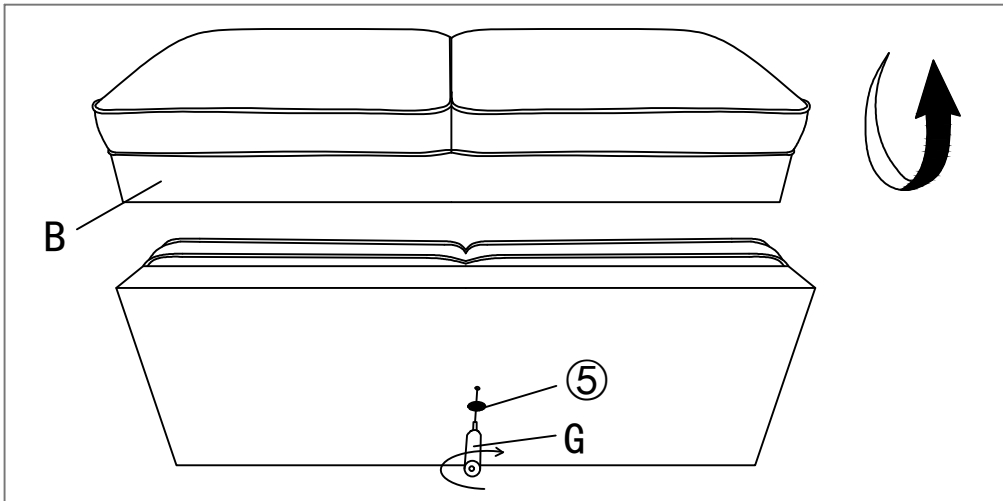


● Save all packaging until finished.

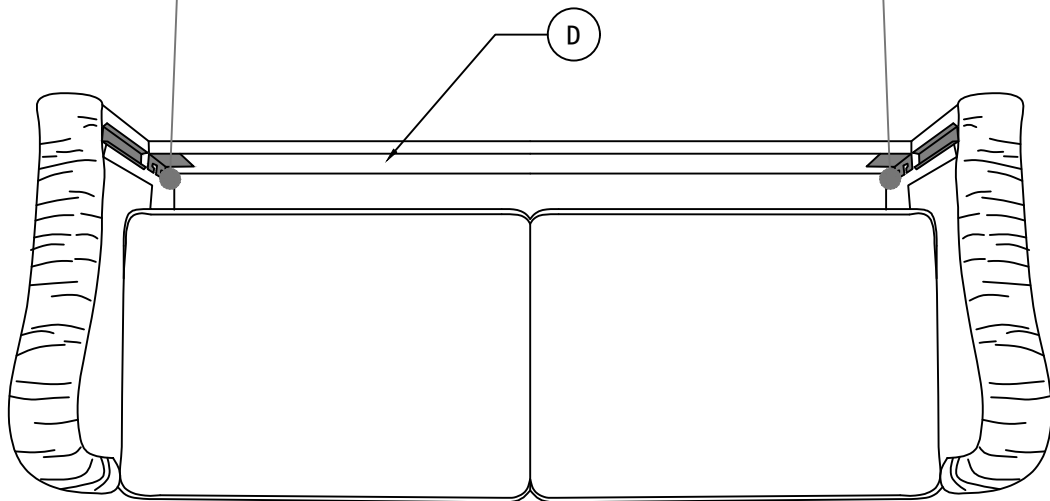
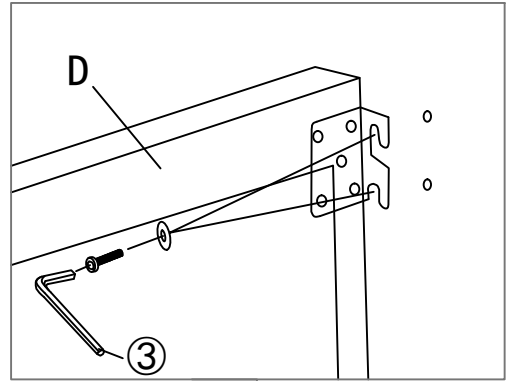
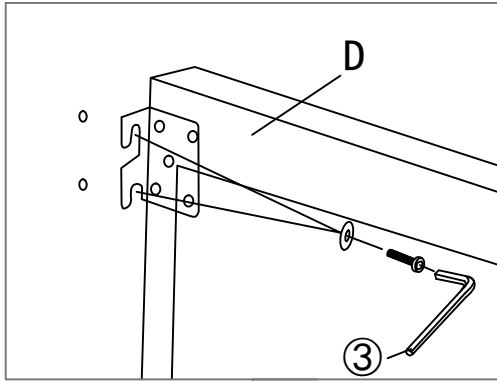
Step 1



Step2



Step3



Step4

