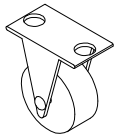


A
×4



B
×4



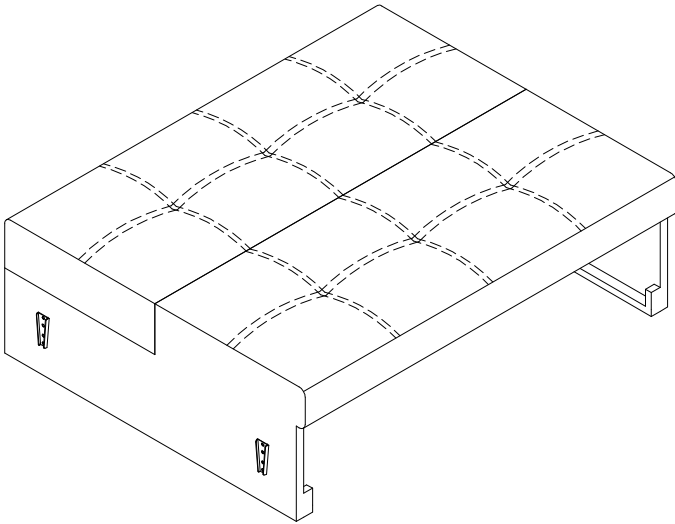
C
×8
1/4*16"



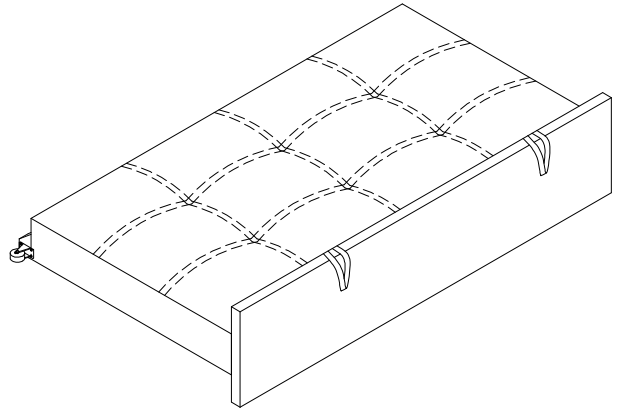
D
×8
1/4*1"



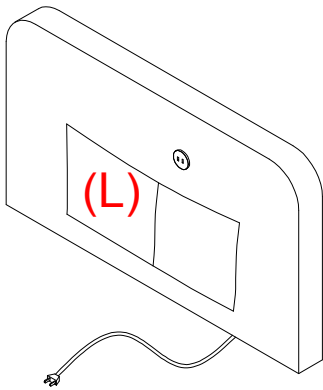
E
×1
1/4*60MM



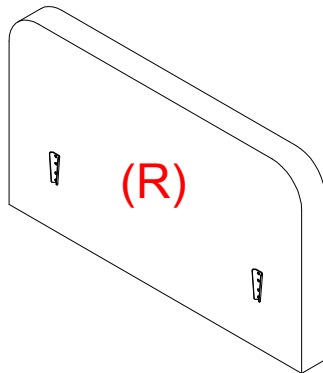
1
×1



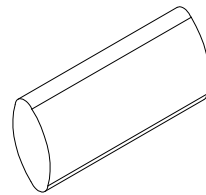
2
×1



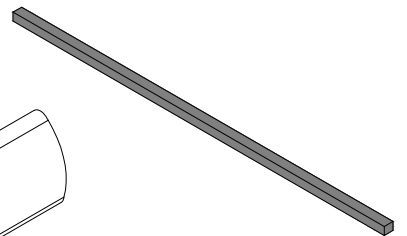
3
×1



4
×1



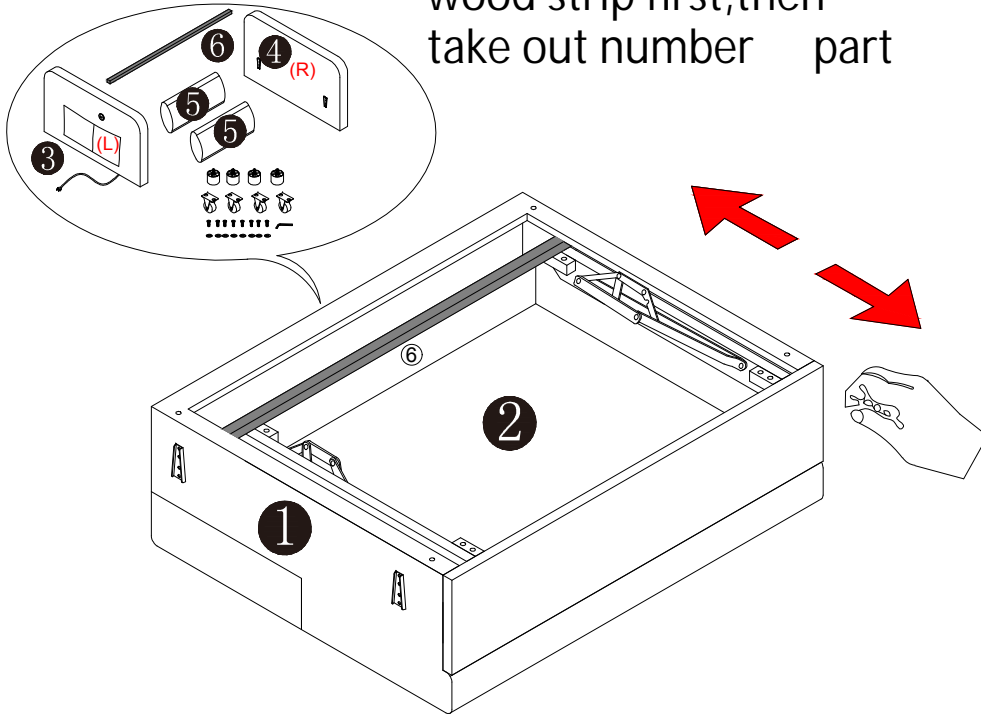
5
×2



6
×1

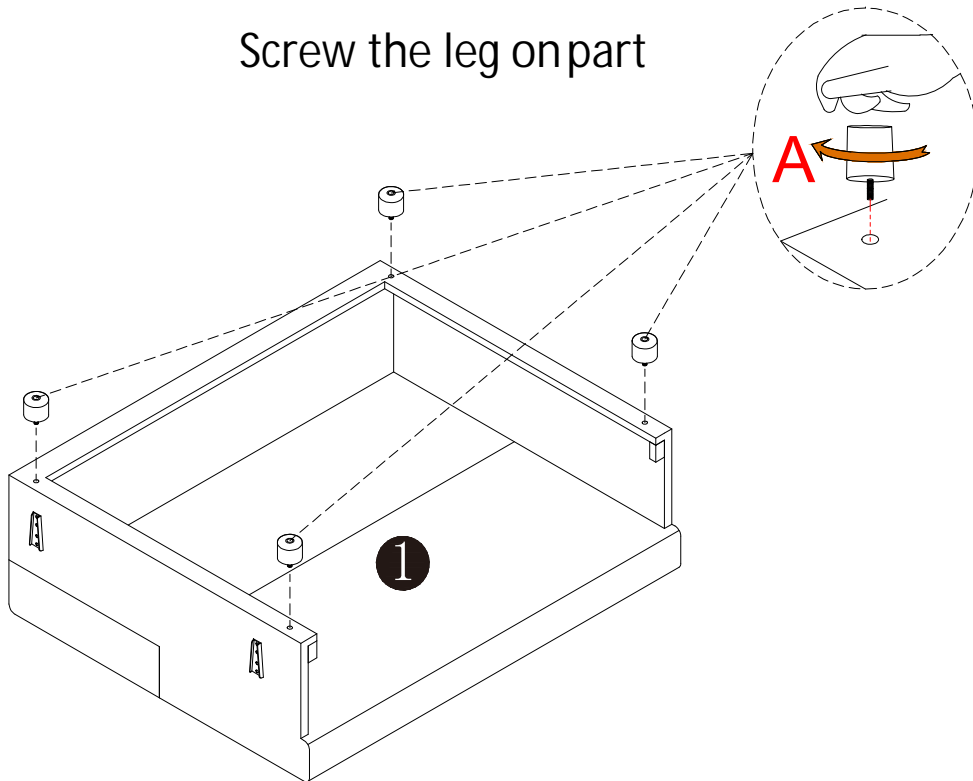
1

Remove and throw away number
wood strip first, then
take out number part



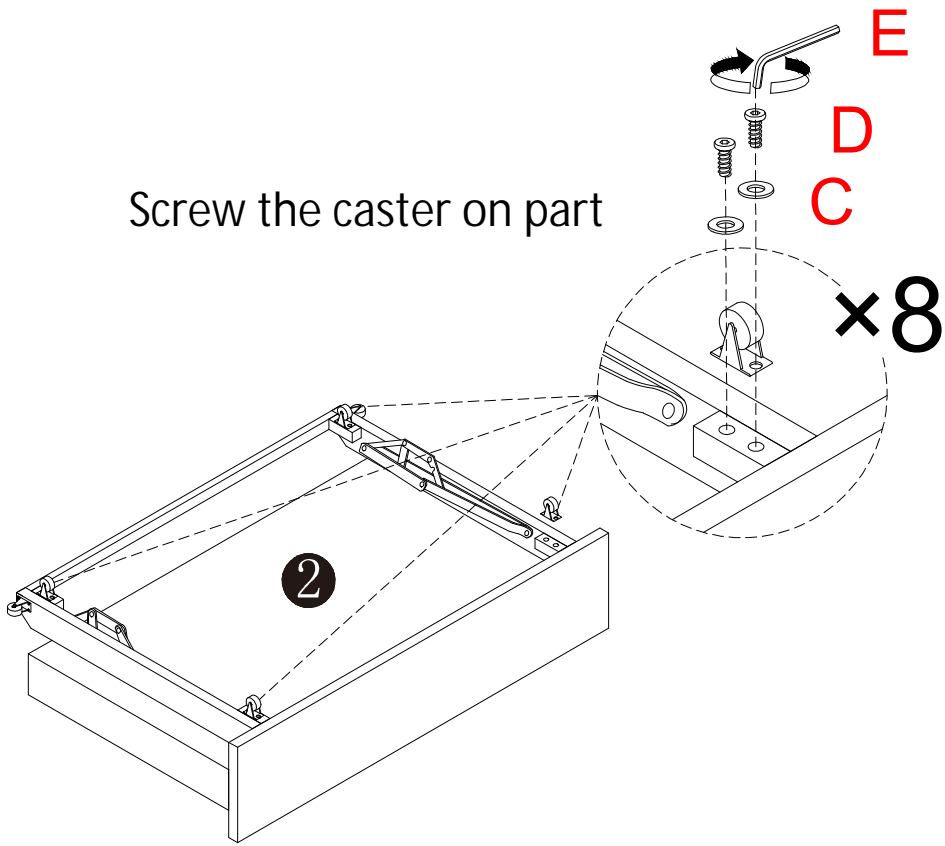
2

Screw the leg on part

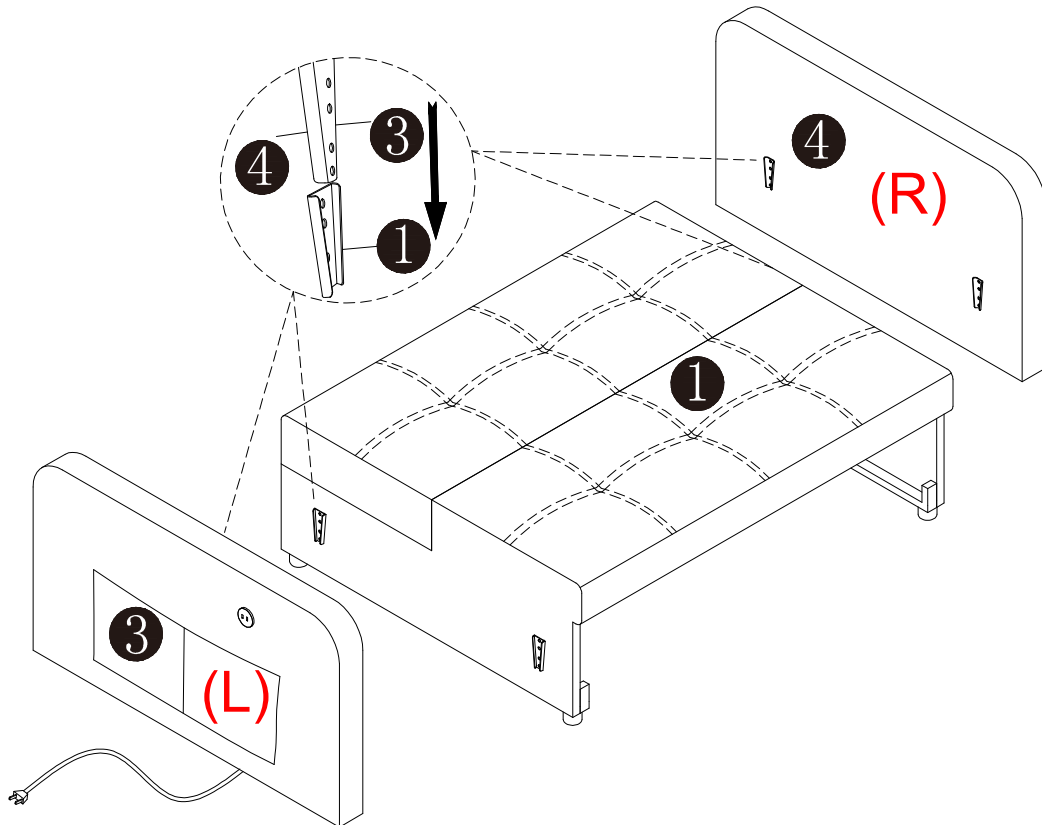


3

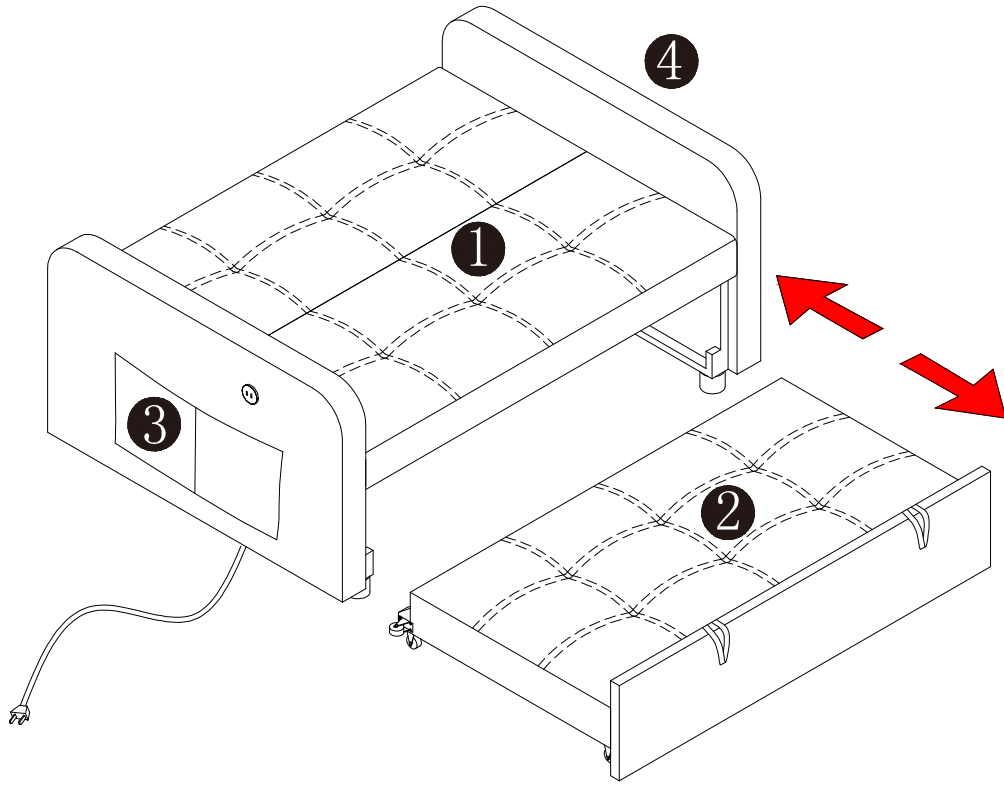
Screw the caster on part



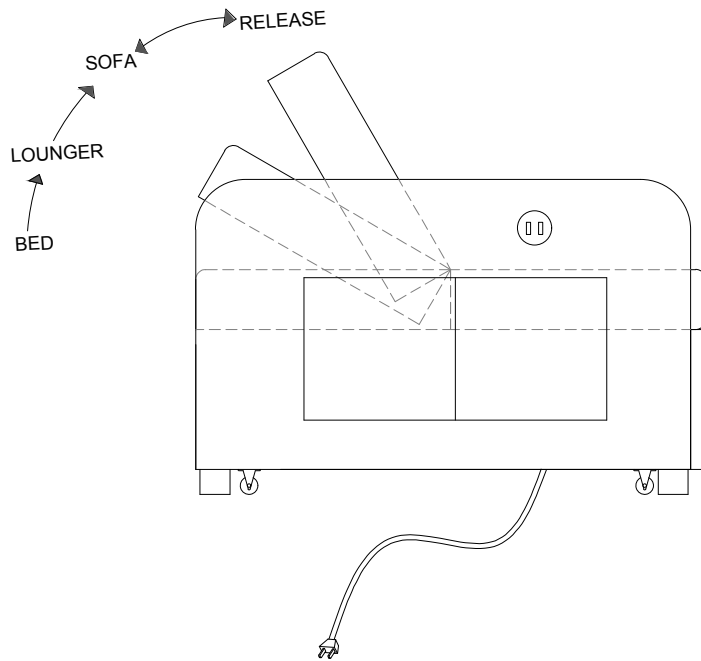
4



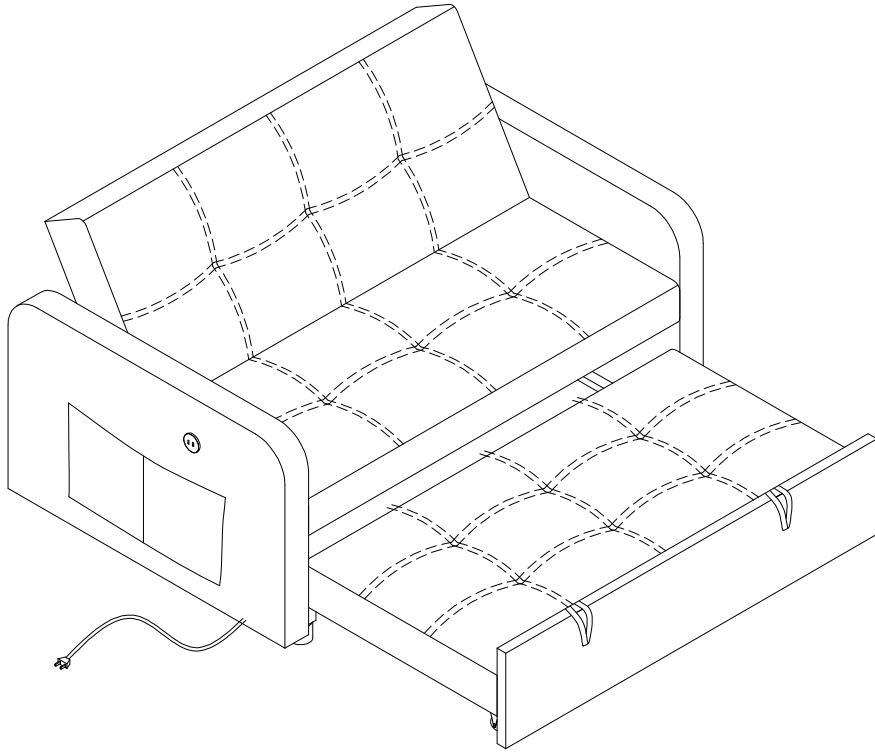
5



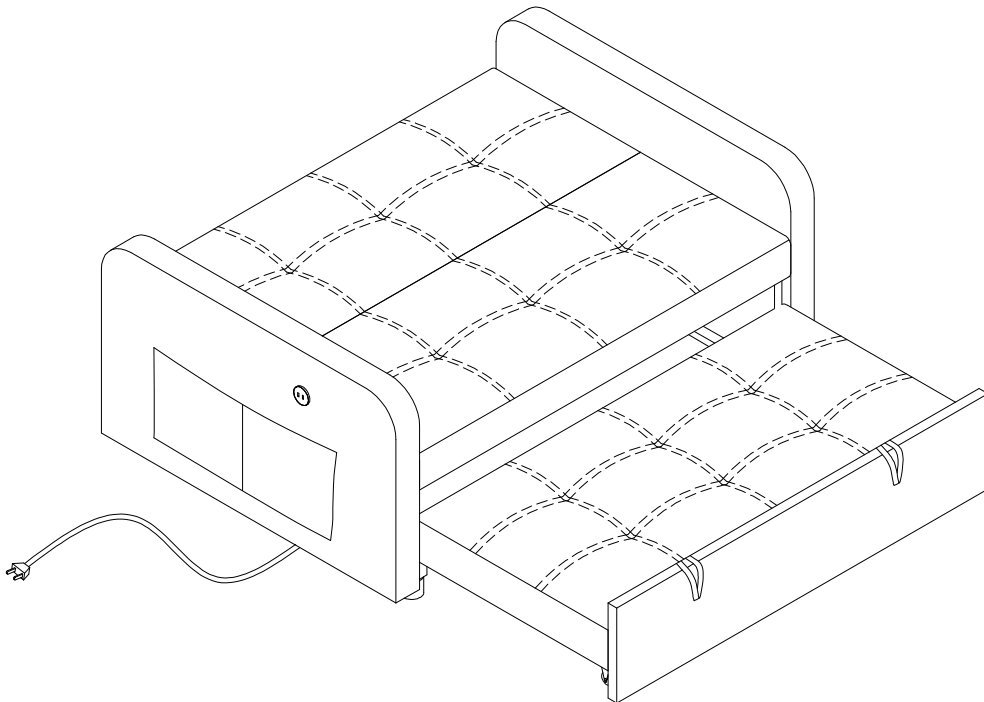
6



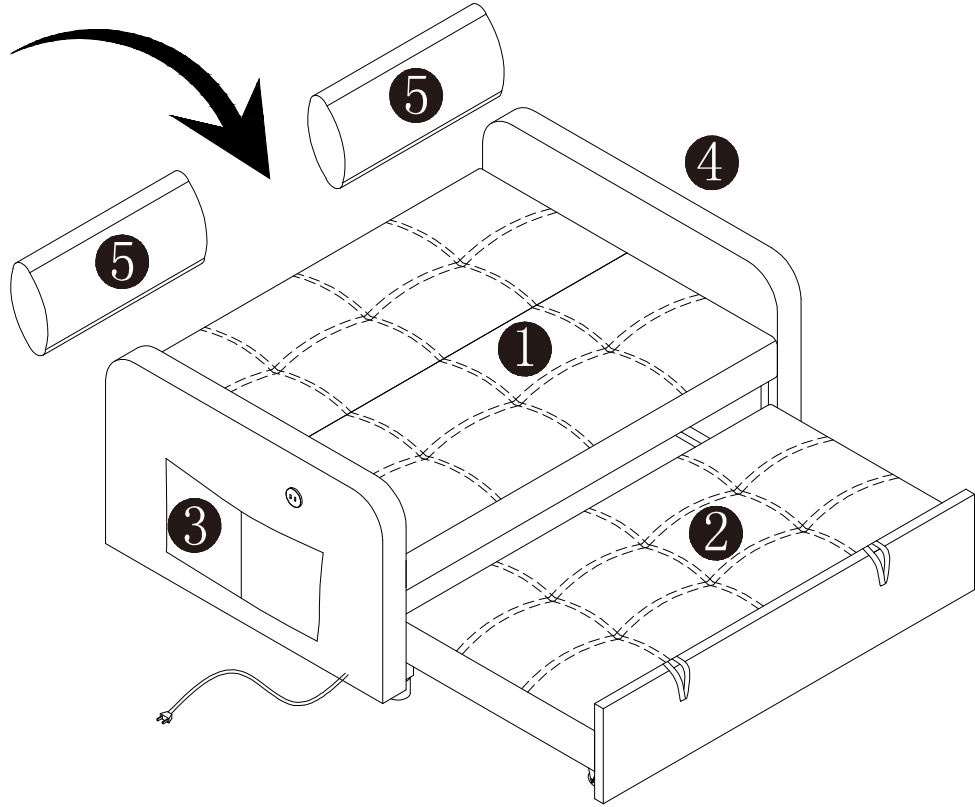
7



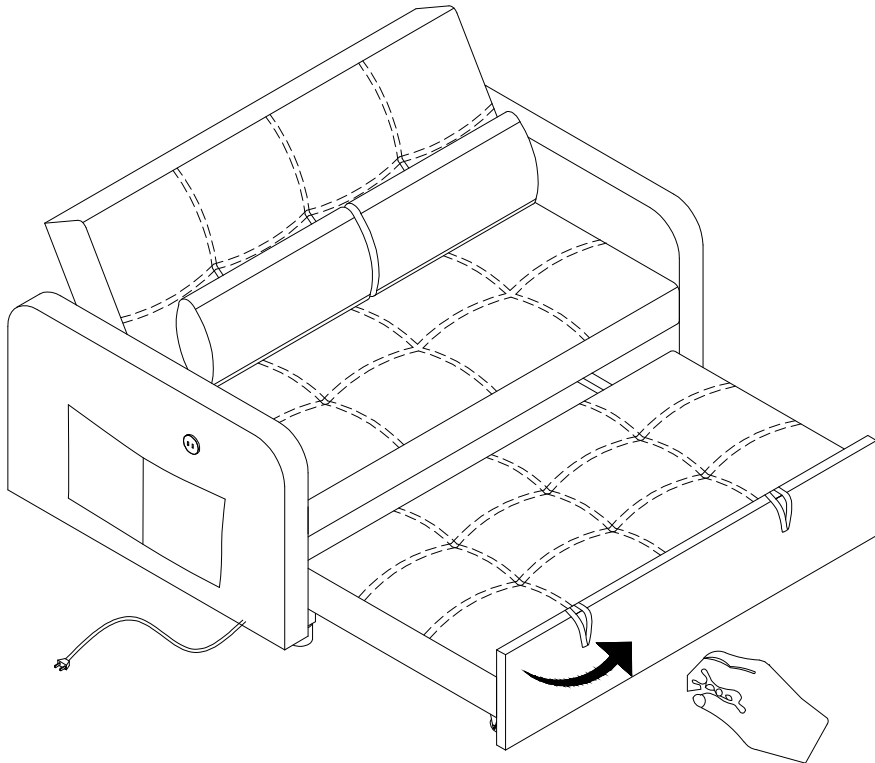
8



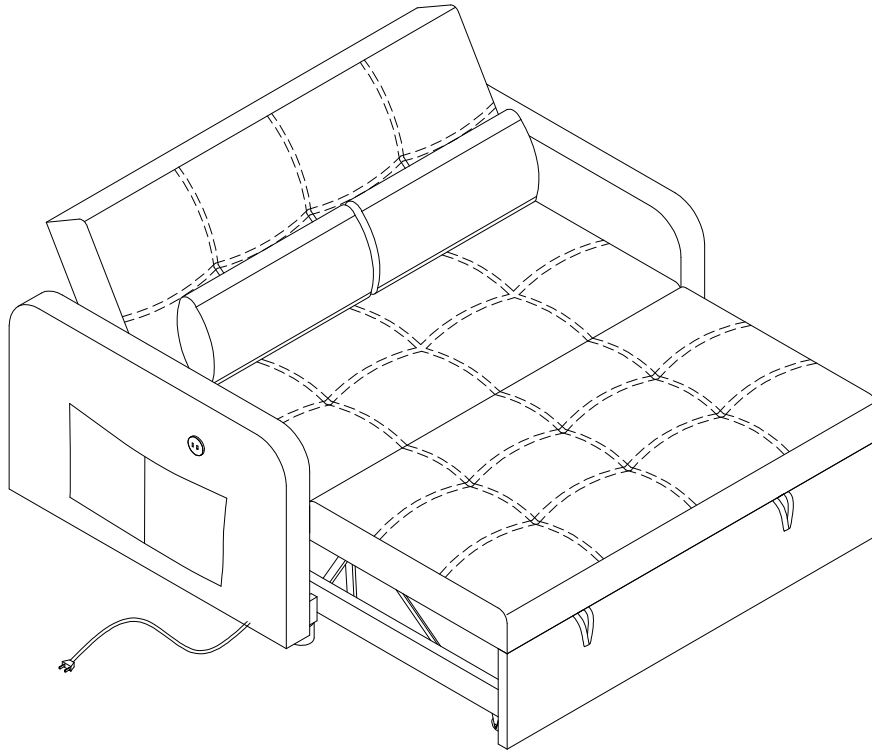
9



10



11



12

