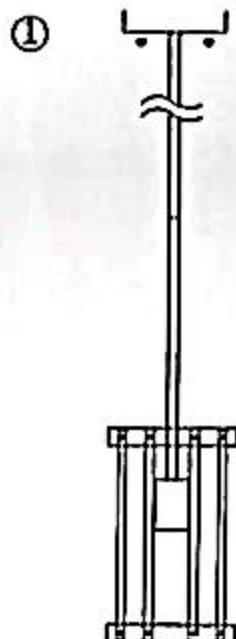


ASSEMBLY INSTRUCTIONS



Thank you for purchasing this lamp. This page lists all the contents included in the box. Please take the time to identify the hardware as well as the individual components to this product. As you unpack and prepare for assembly, place the contents on a carpeted or padded area to protect them from damage.
Note: 2 people are required to safely install this product.

components & hardware

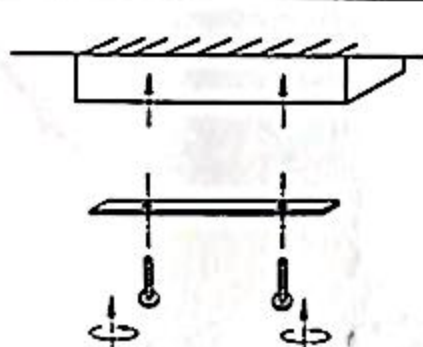


cleaning & care

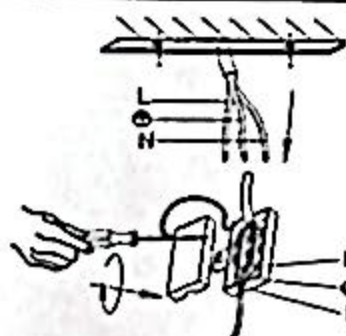
Dust surfaces with a dry soft cloth.

IMPORTANT SAFETY INSTRUCTIONS:

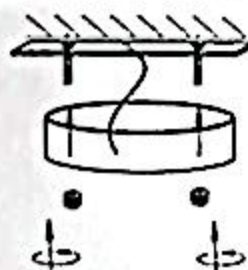
If you are unsure about your ceiling/wall type or what mounting method you should use, consult a qualified professional or your local hardware store. We recommend installation of this pendant lamp be performed by a licensed electrician.



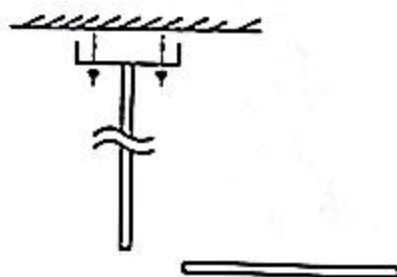
1



2



3



4



5