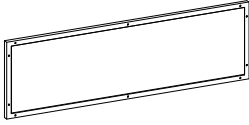
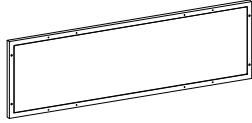
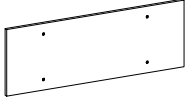



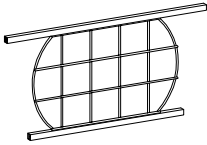





ASSEMBLY INSTRUCTION








WINE/BAR CART

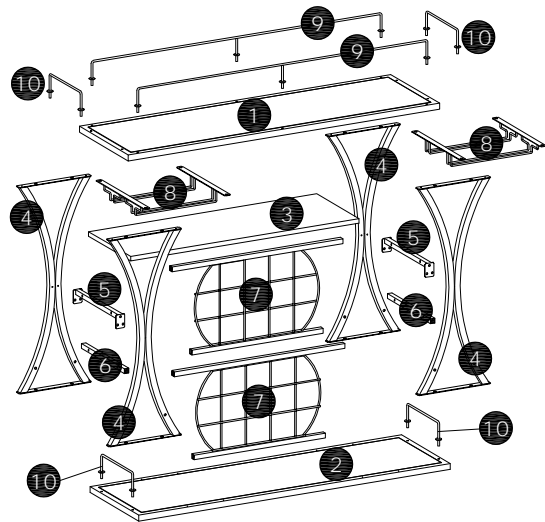
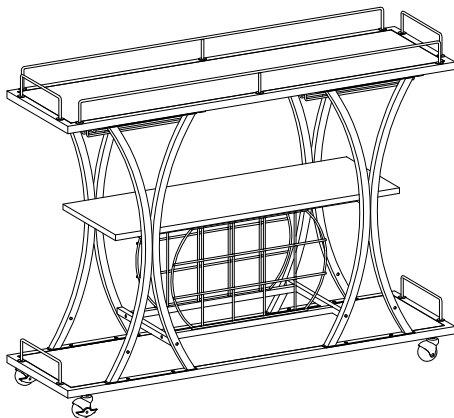
1. Extra Screws of A/B/C are provided in case of any screws missing in the boxes.
2. Please take the time to identify and count all parts as well as the hardware to this product.

PART LIST

				
① ×1PC	② ×1PC	③ ×1PC	④ ×4PCS	⑤ ×2PCS
				
⑥ ×2PCS	⑦ ×2PCS	⑧ ×2PCS	⑨ ×2PCS	⑩ ×4PCS

HARDWARE

						
M6×15mm	M6×25mm	M6×40mm	Caster with Lock	Caster	4mm	Wrench
A×32PCS	B×4PCS	C×12PCS	D×2PCS	E×2PCS	F×1PC	G×1PC



NOTED:

1. It is recommended that this item should be assembled by two adults.
2. Assemble this item on a soft surface, such as cardboard or carpet, to protect finish.

For product assistance and warranty information, please contact US before return this product:

Customer Service: furniture3@golden-south.com

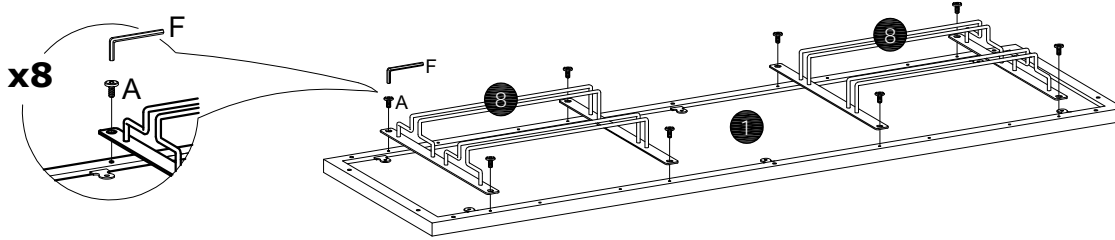
Please provide us with following information, so that it will be easier to resolve your problem smoothly.

- 1 Order ID:
- 2 Pictures of Your Items Damage or Parts Missing:

THANK YOU FOR PURCHASING OUR FURNITURE, IT IS AN HONOR TO BE IN YOUR HOME!

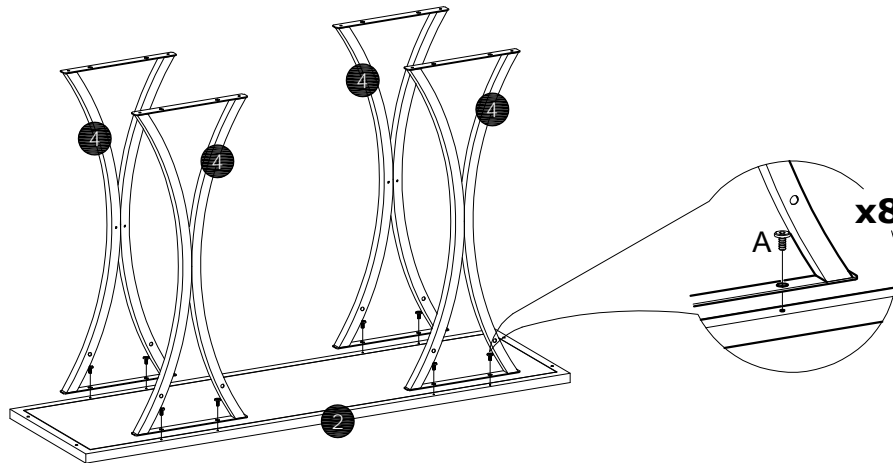
NOTED: Please do not tighten all bolts until the products is assembled completely.

Step 1:



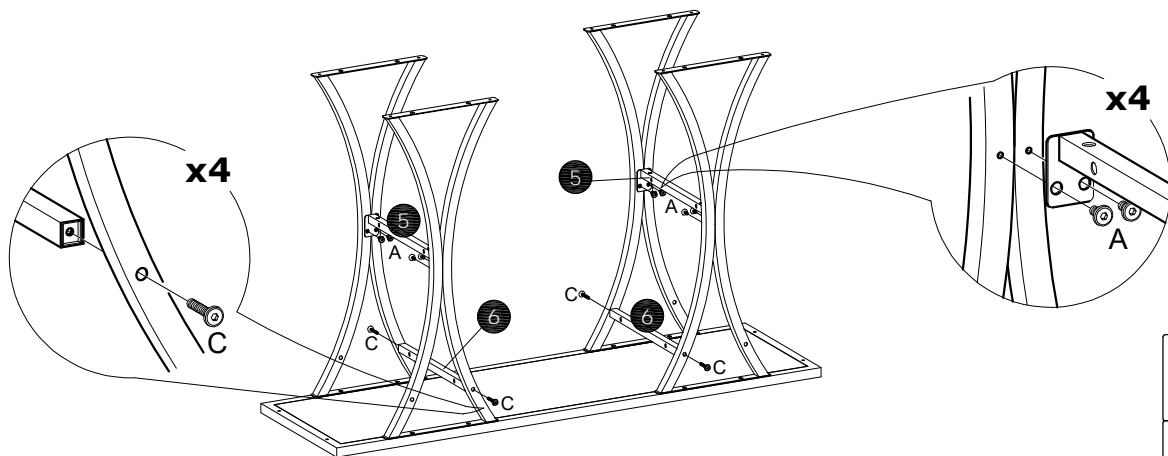
A×8PCS
M6×15mm

Step 2:



A×8PCS
M6×15mm

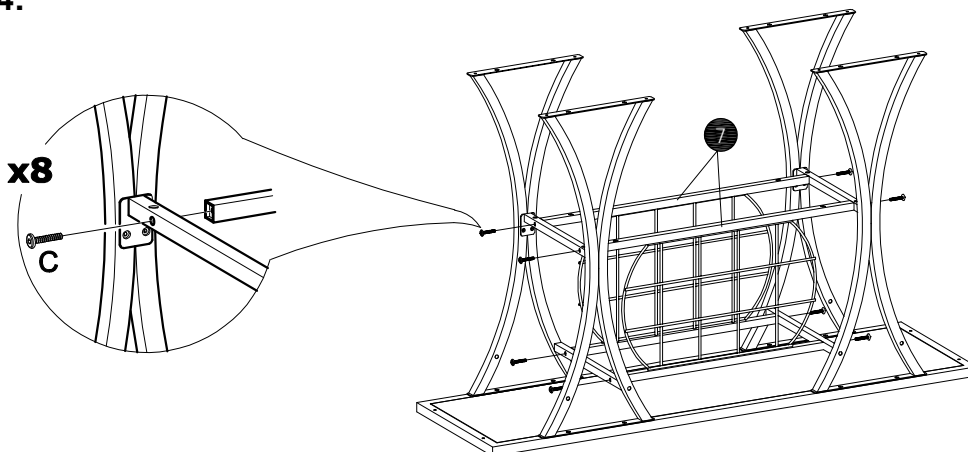
Step 3:



A×8PCS
M6×15mm

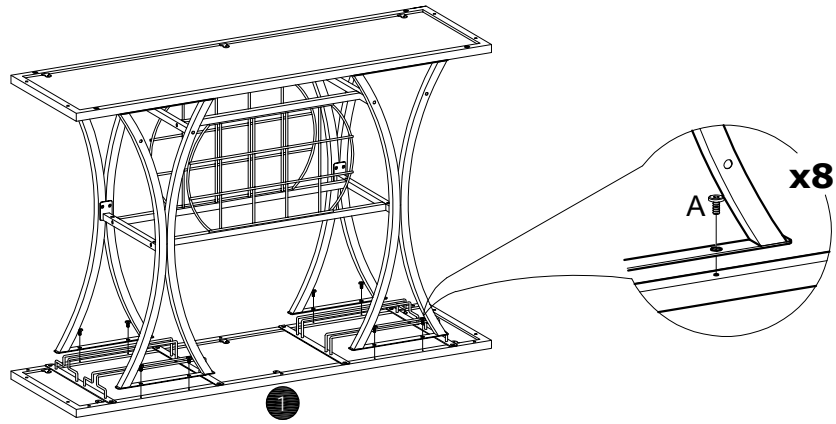
C×4PCS
M6×40mm

Step 4:



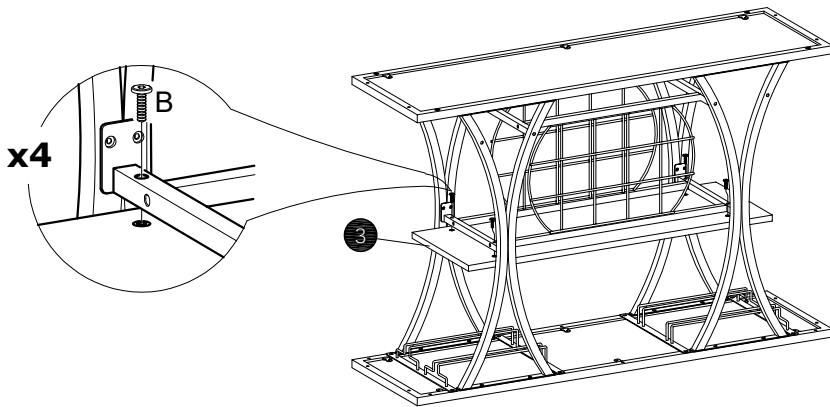
C×8PCS
M6×40mm

Step 5:



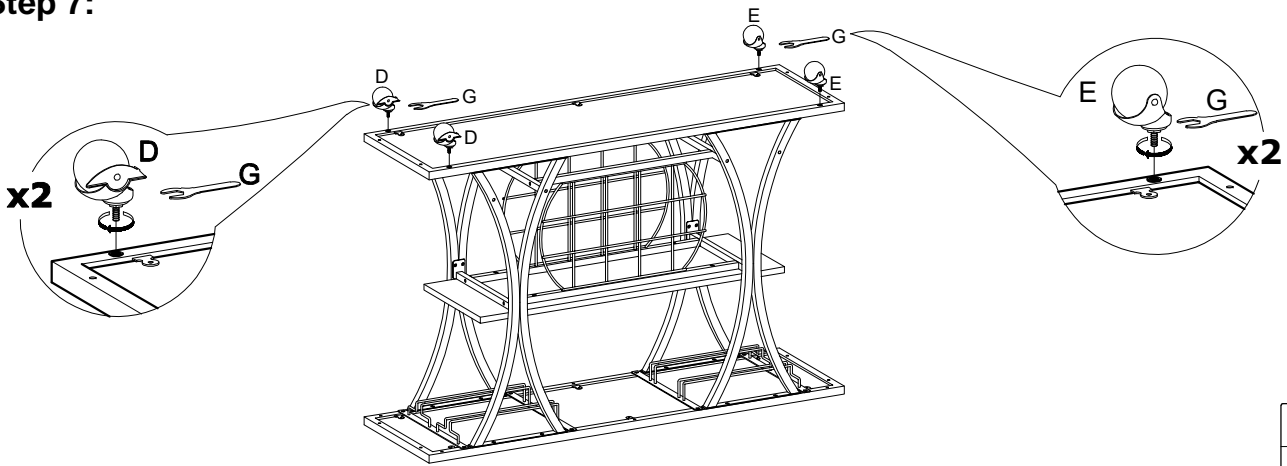
A×8PCS
M6×15mm

Step 6:



B×4PCS
M6×25mm

Step 7:



D×2PCS
E×2PCS

Step 8:

