

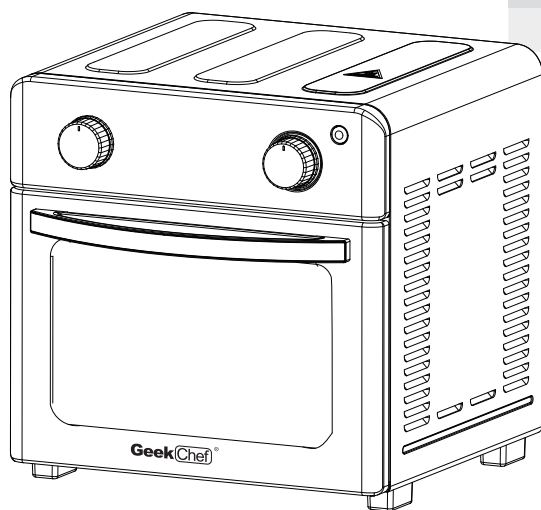


# Air Fryer Oven

---

## User Manual

Model No.: GTO10PB



Toll Free: 1-844-801-8880

**IMPORTANT:** Read the instructions carefully before operating the appliance and keep them for future reference.

# TABLE OF CONTENTS

---

<b>Safety Instructions</b>	<b>2</b>
<b>Product Components</b>	<b>4</b>
<b>How To Use</b>	<b>6</b>
<b>Cleaning And Maintenance</b>	<b>9</b>
<b>Troubleshooting</b>	<b>10</b>
<b>Limited Warranty</b>	<b>11</b>

---

## TECHNICAL SPECIFICATIONS

---

Model :	GTO10PB
Rated Voltage :	120V 60Hz
Rated Power :	1400W
Oven Capacity :	10L/10QT
N.W. :	9.5 lb
Product Dimension :	11.6*12.7*11.6 inch

---

# SAFETY INSTRUCTIONS

---

## IMPORTANT SAFEGUARDS

When using an electrical appliance, basic safety precautions should always be followed, including the following:

1. Read all instructions.
2. Unplug from outlet when not in use and before cleaning.  
Allow to cool before cleaning or handling, putting on or taking off parts.
3. **Do not** touch hot surfaces. Use handles, or knobs.
4. To protect against electrical shock, do not place any part of the Air Fryer Oven in water or other liquids. See instructions for cleaning.
5. This appliance should not be used by or near children or individuals with certain disabilities.
6. **Do not** operate any appliance with a damaged cord or plug, or after the appliance has malfunctioned or has been dropped or damaged in any way or is not operating properly. Return the Air Fryer Oven to the store or retailer where purchased for examination or repair, or adjustment.
7. The use of accessory attachments not recommended may cause injury.
8. **Do not** use outdoors.
9. **Do not** let cord hang over the edge of the table or countertop, where it could be pulled on inadvertently by children or pets, or touch hot surfaces, which could damage the cord.
10. **Do not** place Air Fryer Oven on or near a hot gas or electric burner or in a heated oven.
11. **Do not** use this Air Fryer Oven for anything other than its intended purpose.
12. Extreme caution should be exercised when using containers constructed of materials other than metal or glass in the oven.
13. To avoid burns, use extreme caution when removing Air Fryer Oven accessories or disposing of hot grease.
14. When not in use, always unplug the unit. Do not store any materials other than manufacturer's recommended oven proof accessories in this Air Fryer Oven.
15. **Do not** place any of the following materials in the Air Fryer Oven: paper, cardboard, plastic and similar products.
16. **Do not** cover Crumb Tray or any part of the oven with metal foil. This will cause over heating of the oven.

# SAFETY INSTRUCTIONS

---

17. Oversize foods, metal foil packages and utensils must not be inserted in the Air Fryer Oven, as they may involve a risk of fire or electric shock.
18. A fire may occur if the Air Fryer Oven is covered or touching flammable materials such as curtains, draperies or walls, when in operation. **Do not** store any items on top of the appliance when in operation. **Do not** to operate under wall cabinets.
19. **Do not** clean with metal scouring pads. Pieces can break off the pad and touch electrical parts, involving a risk of electric shock.
20. **Do not** attempt to dislodge food when the Air Fryer Oven is plugged into electrical outlet.
21. Warning: To avoid possibility of fire, NEVER leave Air Fryer Oven unattended during use.
22. Use recommended temperature settings for all cooking/baking, roasting and Air Frying.
23. **Do not** rest cooking utensils or baking dishes on glass door.
24. Turn the ON/Oven Timer and the ON/Toaster Timer dials to the OFF position to turn off the Air Fryer Oven.
25. **Do not** operate your appliance in an appliance garage or under a wall cabinet. When storing in an appliance garage, always unplug the unit from the electrical outlet. Not doing so could create a risk of fire, especially if the appliance touches the walls of the garage or the door touches the unit as it closes.
26. Extreme caution must be used when moving an appliance containing hot oil or other hot liquids.
27. To disconnect, turn any control to "off", then remove plug from wall outlet.
28. A fire may occur if the Air Fryer Oven is covered or touching flammable material, including curtains, draperies, walls, and the like, when in operation. Do not store any item on top of the appliance when in operation.

# SAFETY INSTRUCTIONS

---

## SAVE THESE INSTRUCTIONS

Please read and keep these instructions handy. These instructions will help you use your Air Fryer Oven to its fullest so that you will achieve consistent, professional results.

### SPECIAL CORD SET INSTRUCTIONS

A short power-supply cord is provided to reduce the risks resulting from becoming entangled in or tripping over a longer cord. Extension cords are available and may be used if care is exercised in their use. If an extension cord is used, the marked electrical rating of the extension cord must be at least as great as the electrical rating of the appliance, and the longer cord should be arranged so that it will not drape over the countertop or tabletop, where it can be tripped over unintentionally or pulled on by children.

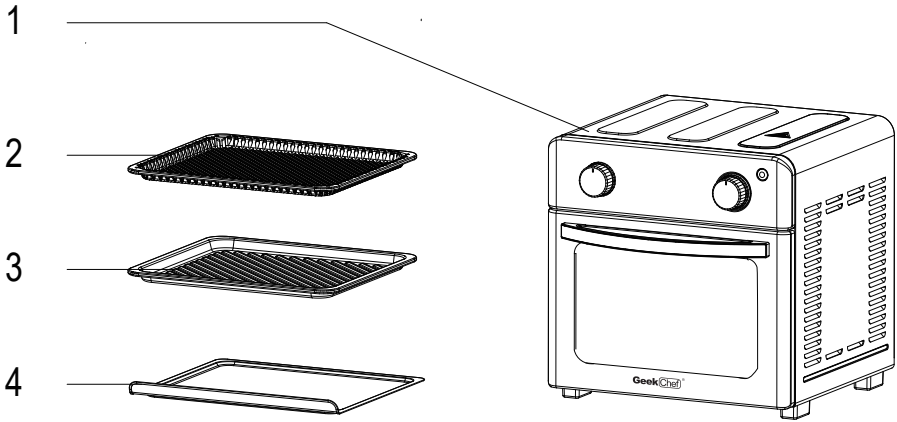
### NOTICE

This appliance has a polarized plug (one blade is wider than the other). As a safety feature, this plug will fit in a polarized outlet only one way. If the plug does not fit fully in the outlet, reverse the plug. If it still does not fit, contact a qualified electrician. Do not attempt to defeat this safety feature.

**FOR HOUSEHOLD USE ONLY  
NOT INTENDED FOR COMMERCIAL USE**

# PRODUCT COMPONENTS

---



1. Air fryer oven

2. Air fryer basket

3. Baking pan

4. Crumb tray

The Wire Rack can be used in three rack positions.

## 2. Air fryer basket

The Air Fryer Basket is grated to allow air to pass through the basket for even cooking. The Air Fryer Basket should be placed in the top rack position unless a recipe states otherwise.

## 3. Baking pan

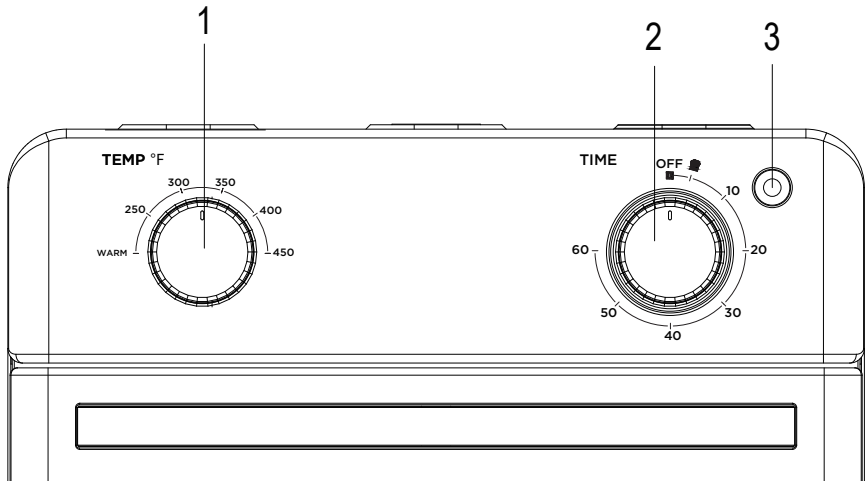
The Baking Pan can be placed in any of the two rack positions.

## 4. Crumb tray

Always ensure that the Crumb Tray is placed underneath the bottom whenever the oven is being used.

# PRODUCT COMPONENTS

---



## 1. TEMPERATURE Dial

To adjust cooking temperature.

## 2. ON/OFF TIMER Dial

To select a cook time and start/stop cooking.

## 3. POWER Indicator

Indicator light will turn on when the oven is working.

# HOW TO USE

## BEFORE FIRST USE

1. Remove all packaging materials, stickers and labels.
2. Clean all the accessories with hot water, cleaning agent and a non-abrasive sponge
3. Wipe the inside and outside of the appliance with a damp cloth.



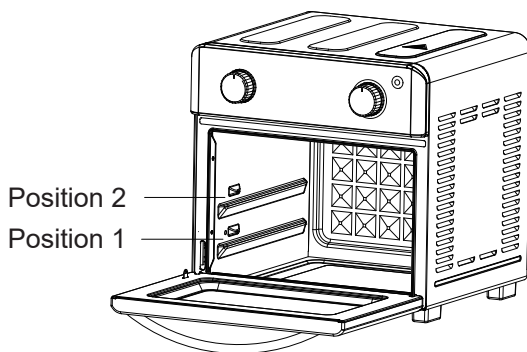
**Note :** \* Objects should not be stored on the top of the oven.

\* The exterior housing will get very hot when in use, keep out of reach of children.

**\* Only when the door is closed completely, the machine can work properly. If not, oven will not work.**

## Oven Rack/Pan Positions

Oven has 2 rack/pan positions: position 1 (bottom), position 2 (top). Usually to put rack or pan in position 2(top) for better cooking result.



## OPERATION

Follow these simple steps:

1. Place Air Fryer Basket or Baking Pan in desired position.
2. Turn temperature dial to select cooking temperature.
3. Turn timer dial to select cooking time (up to 60 minutes) to start cooking.
4. Power indicator will turn red, Power indicator will turn red when the oven starts cooking.
5. Once the timer reaches OFF, unit will ring and cooking process finished.



# CLEANING AND MAINTENANCE

---

1. Unplug your Air Fryer Oven and allow it to completely cool before cleaning. Do not use abrasive cleaners, as they will damage the finish. Simply wipe the exterior with a clean, damp cloth and dry thoroughly. Apply the cleaning agent to a cloth, not directly onto the Air Fryer Oven. Do not use excess pressure when cleaning the area of the control panel as it could cause the text to be removed over time.
2. To clean the interior walls and bottom of the oven (remove the Crumb Tray first) use a damp soapy cloth or sponge. Never use harsh abrasives or corrosive products including oven cleaner sprays. These could damage the oven surface. Never use steel wool pads on the Air Fryer Oven or accessories.
3. The Baking Pan, Air Fryer Basket and Crumb Tray should be hand-washed in hot, sudsy water or use a nylon scouring pad or nylon brush. These parts are not dishwasher safe.
4. Always clean the Crumb Tray after each use. Excess food particles could cause smoking and will be hard to remove from tray. To remove baked-on grease or burnt food particles you can soak the Crumb Tray in hot, sudsy water or use nonabrasive cleaners. Never operate the oven without the Crumb Tray in place.
5. The top interior of the Air Fryer Oven should be cleaned to remove excess grease that may accumulate after cooking greasy foods. Doing so will prevent smoking in the oven during subsequent uses.

# TROUBLESHOOTING

PROBLEM		PROBABLE CAUSE
The oven will not turn on.	1	Make sure the oven is plugged in.
	2	Turn on the TIMER dial.
Foods are not completely cooked.	1	Increase cooking temperature or time.
Foods are overcooked or burned.	1	Decrease cooking temperature or time.
	2	Make sure food items are not too large and are not touching the heating elements.
Foods are cooked unevenly.	1	Preheat the oven
	2	Make sure food items are not too closely packed into a tray, rack or other container.
White smoke is coming out of the oven.	1	The oven may produce some white smoke when you use it for the first time. This is normal.
	2	Excess oil or fatty foods may produce white smoke. Make sure the inside of the oven is cleaned properly and not greasy.
Black smoke is coming out of the oven.	1	Immediately turn off the oven and then unplug it. Cool the oven to room temperature. Wait for smoke to clear before opening the oven door or pulling out the tray, basket or rack.

# LIMITED WARRANTY

---

## LIMITED WARRANTY

Geek Technology Ltd. warrants to the original consumer or purchaser this Geek Chef Air Fryer Oven is free from defects in material or workmanship for a period of One (1) year from the date of purchase. If any such defect is discovered within the warranty period, Geek Technology Ltd. at its discretion, will repair or replace the Product at no cost. This limited warranty is good only to the original purchaser of the product and effective only when used in United States.

For warranty or repair service: Call 1-844-801-8880 and choose the appropriate prompt, or email [info@geektechnology.com](mailto:info@geektechnology.com). Please have your Product's model number, date code (on rating label), your name, address, city, state, zip code and phone number ready.

NO OTHER WARRANTY IS APPLICABLE TO THIS PRODUCT. THIS WARRANTY IS IN LIEU OF ANY OTHER WARRANTY, EXPRESS OR IMPLIED. INCLUDING WITHOUT LIMITATION, ANY WARRANTY OF MERCHANTABILITY OR FITNESS FOR A PARTICULAR PURPOSE. TO THE EXTENT ANY IMPLIED WARRANTY IS REQUIRED BY LAW. IT IS LIMITED IN DURATION TO THE EXPRESS WARRANTY PERIOD ABOVE. NEITHER THE MANUFACTURER NOR ITS U.S. DISTRIBUTOR SHALL BE LIABLE FOR ANY INCIDENTAL, CONSEQUENTIAL, INDIRECT, SPECIAL, OR PUNITIVE DAMAGES OF ANY NATURE. INCLUDING WITHOUT LIMITATION. LOST REVENUES OR PROFITS, OR ANY OTHER DAMAGE WHETHER BASED IN CONTRACT, TORT, OR OTHERWISE, SOME STATES AND/OR TERRITORIES DO NOT ALLOW THE EXCLUSION OR LIMITATION OF INCIDENTAL OR CONSEQUENTIAL DAMAGES OR LIMITATIONS ON HOW LONG AN IMPLIED WARRANTY LASTS. SO THE ABOVE EXCLUSION OR LIMITATION MAY NOT APPLY TO YOU. THIS WARRANTY GIVES YOU, THE ORIGINAL PURCHASER, SPECIFIC LEGAL RIGHTS AND YOU MAY ALSO HAVE OTHER RIGHTS THAT VARY FROM STATE TO STATE OR TERRITORY TO TERRITORY.

## THIS LIMITED WARRANTY DOES NOT APPLY TO :

1. Failure of product to perform during power failures and interruptions or inadequate electrical service.
2. Damage caused to the product by accident, vermin, lightning, winds, fire, floods, or acts of God.
3. Damage resulting from accident, alteration, misuse, abuse, or improper installation, repair, or maintenance. Improper use includes using an external device that alters or converts the voltage or frequency of electricity.
4. Any unauthorized product modification, repair by unauthorized repair center, or use of non-approved replacement parts.
5. Abnormal cleaning and maintenance as described in the user's manual.
6. Use of accessories or components that are not compatible with this product.
7. The cost of repair or replacement under these excluded circumstances shall be borne by the consumer.



Geek Technology Ltd.  
1275 Bloomfield Ave  
Fairfield, NJ 07004  
Toll Free 1-844-801-8880

Version : --2021.5.0