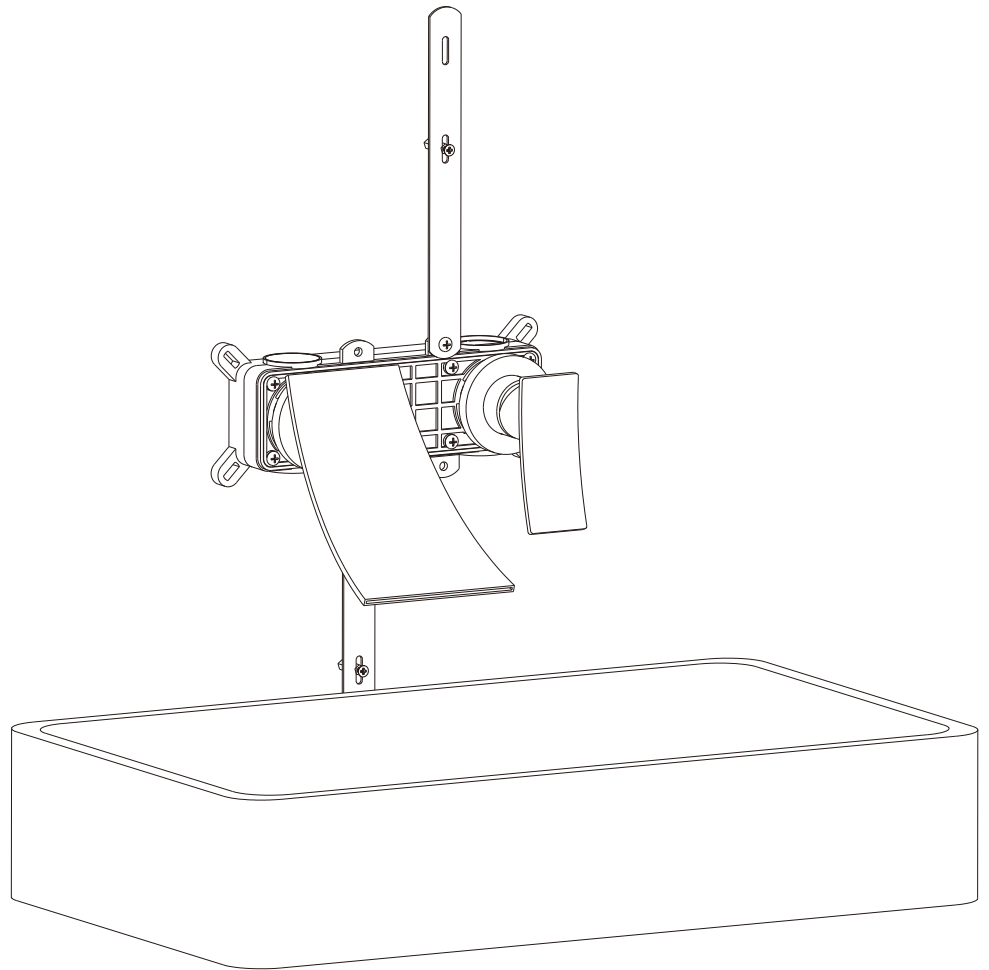
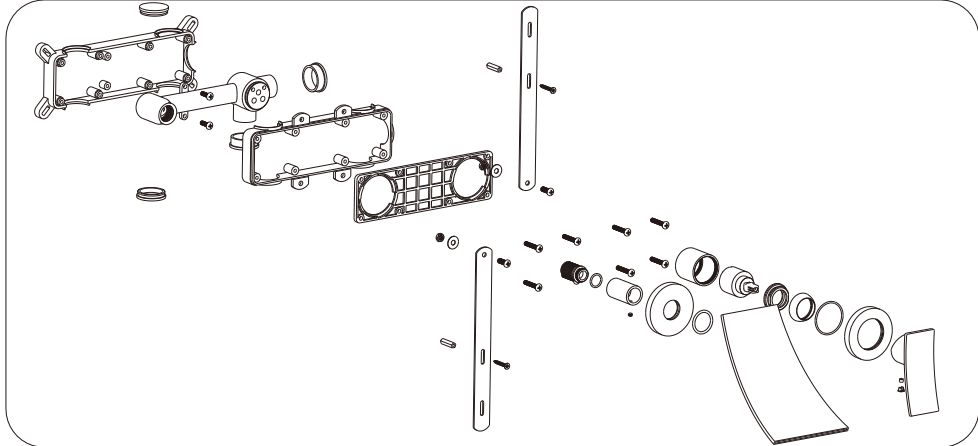
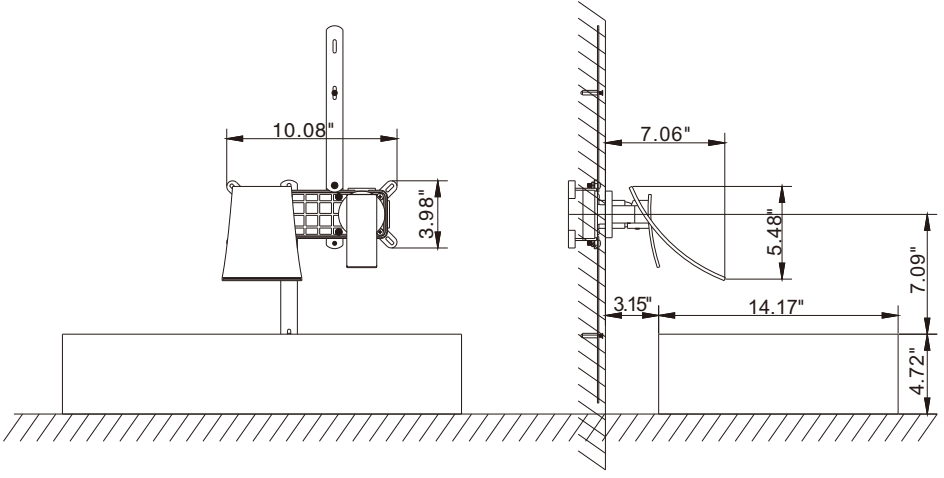
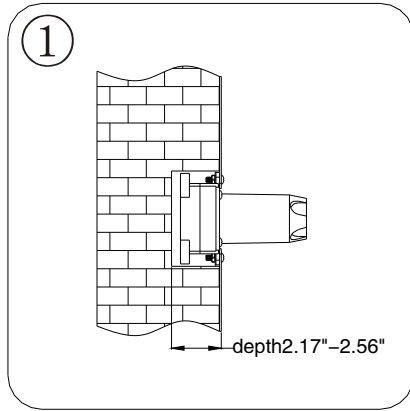


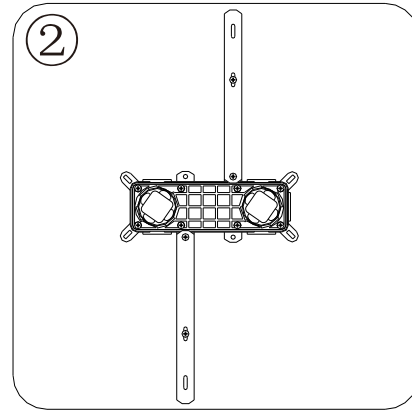
# Instructions for basin faucets



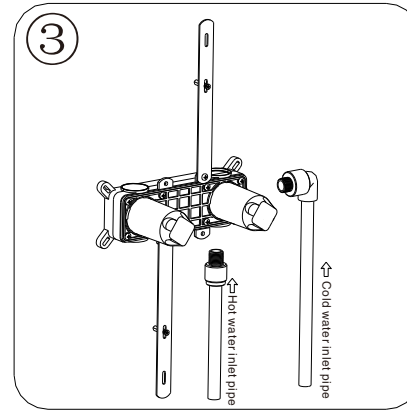
Note: Do not disassemble the product under the guidance of non-professionals. The picture is for reference only. All parts and accessories are subject to the real object. The right of interpretation belongs to our company. If there is any change in the relevant content, please refer to the latest installation instructions issued by the company. Thank you very much!



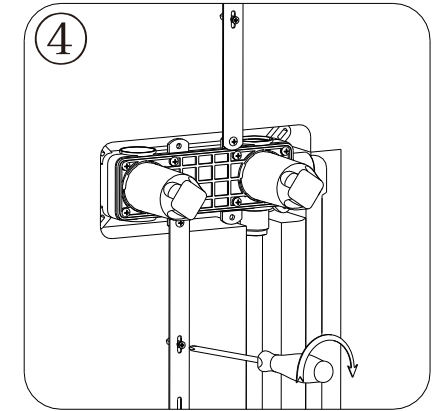
According to the basic size of the embedded box, use a special tool to cut the main hole on the solid wall. The depth of the hole is shown in the figure. The distance between the surface after the final treatment of the wall and the bottom surface of the hole should be considered between 2.17"–2.56".



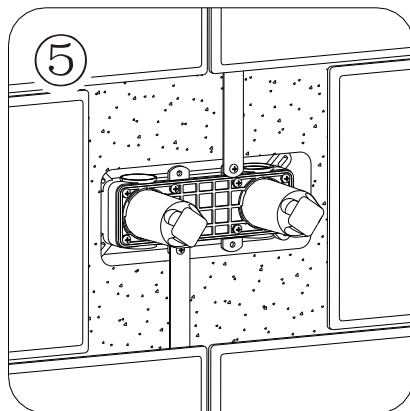
First find a good stainless steel fixing bracket, with screws locked in the embedded box protruding position.



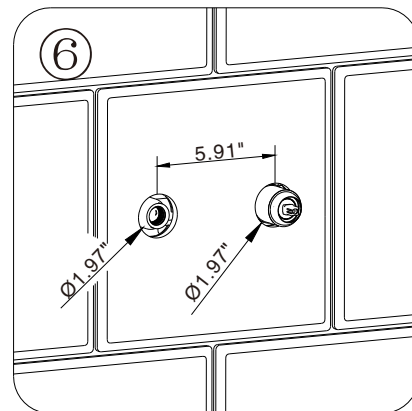
As shown in the figure, pre-bury the intake water pipe, pay attention to the upper and lower direction of the embedded box, the lower right interface is connected with the hot water pipe, the right interface is connected with the cold water pipe.



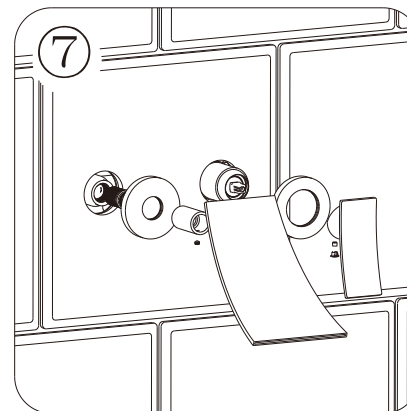
Open the water source to test whether the left and right inlet pipes are tightly connected without leakage. After the inlet pipes are tested and closed, adjust the flow switch to be in the open state to test whether the mixed outlet pipes are tightly connected without leakage. At the same time the function of water retention, according to the embedded box is installed into the solid wall inside the tapping screw embedded box is fixed on the wall.



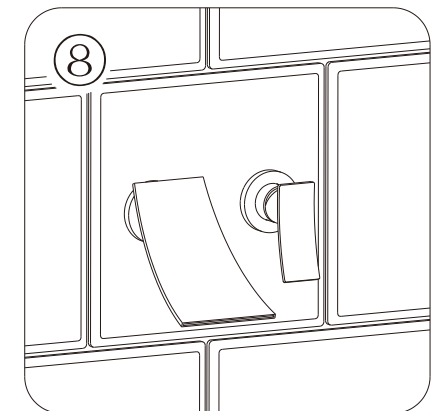
Once again, make sure that the pipe connection is correct and there is no leakage in the water test. After the installation of other embedded components of the shower, seal and fix the embedded box and pipe with packing. At this point, the solid wall embedded box is installed and the plastic protective cover is taken out.



As shown in the picture, paste the ceramic tile, and open two holes with a diameter of 1.97" in the middle, and the distance between the two holes is 5.91".



As shown in the figure, install the outlet pipe and wind the sealing tape counterclockwise at the thread connection. It is required to wrap several rounds to ensure the sealing effect.



Installation is finished, test whether each function is used normally, wipe clean bibcock surface with soft cloth.