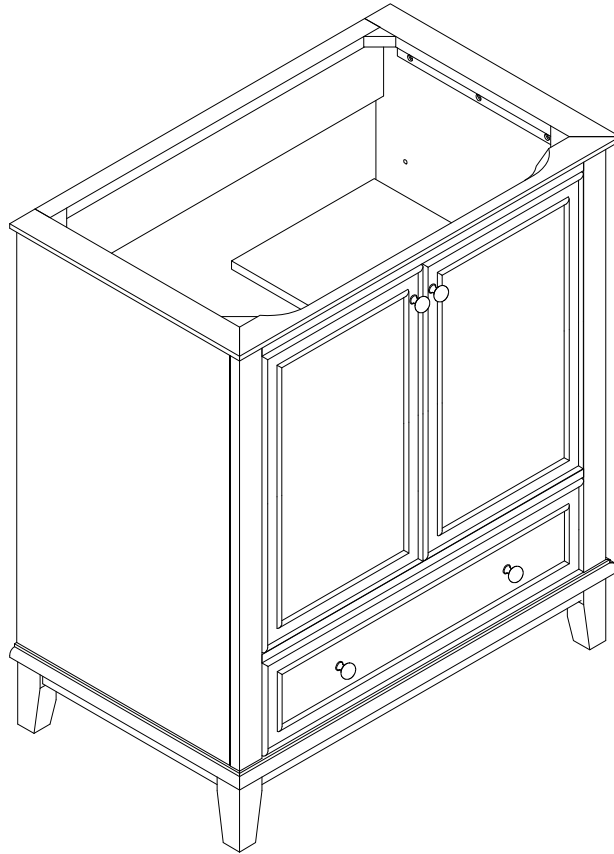


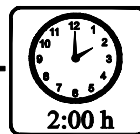
ASSEMBLY INSTRUCTIONS

BATH VANITY-CABINET

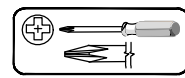


Thank you for purchasing this quality product. Be sure to check all packing material carefully for small parts which may have come loose inside the carton during shipment. Separate, identify and count all parts and hardware. Compare with the parts list to be sure all parts are present.
"DO NOT TIGHTEN SCREWS UNTIL COMPLETELY ASSEMBLED"

*** Use of power tool to assemble this product will invalidate any claim and damage this product making unsafe !!!**
*** Please assemble on a clean soft surface to avoid damage.**



Tools Required



(Not included)

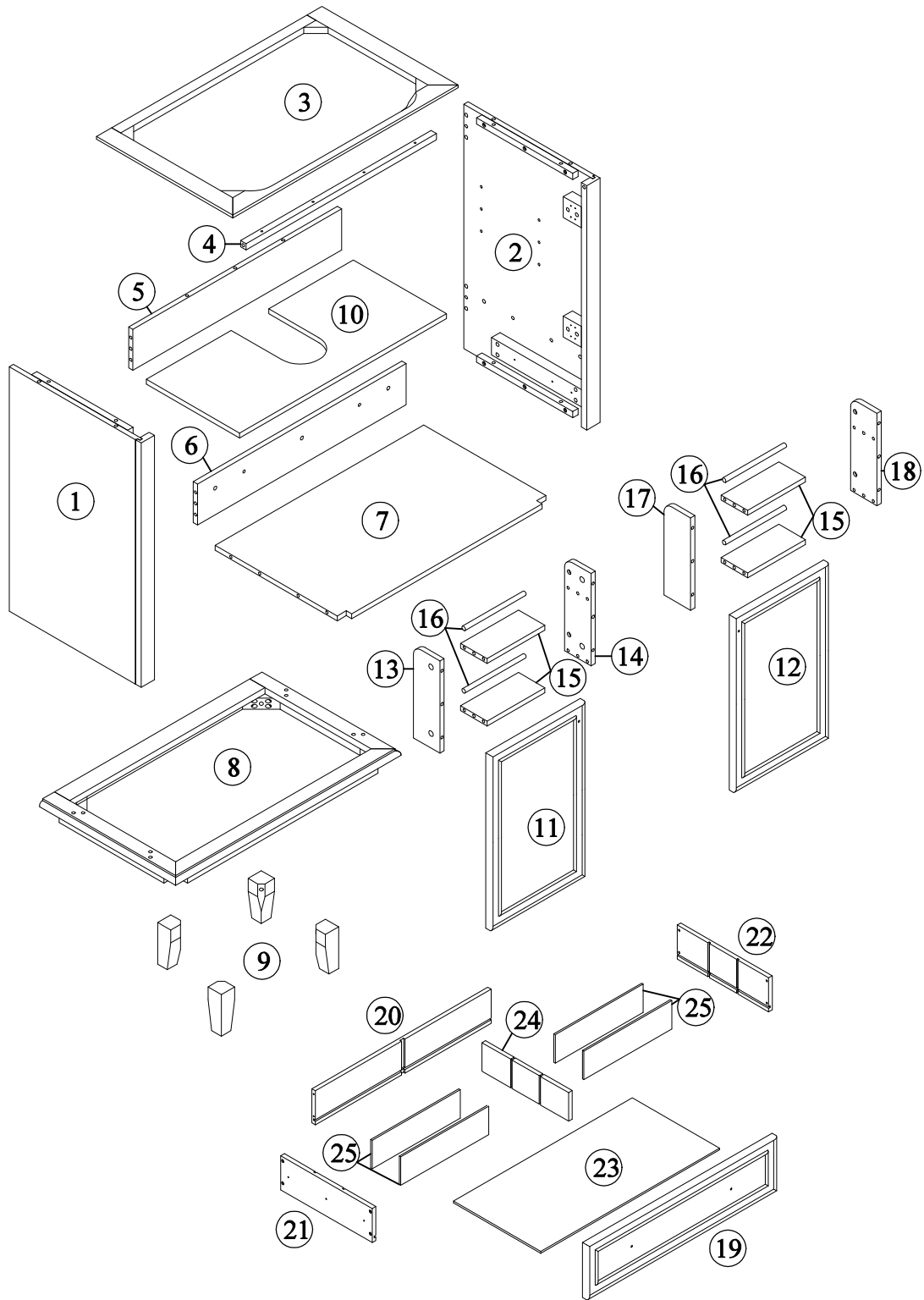


(Not included)

IMPORTANT:

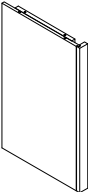
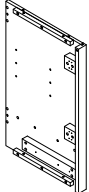
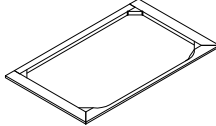
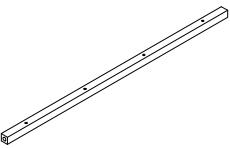
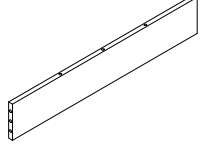
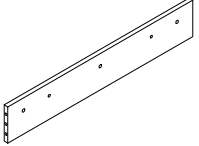
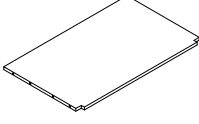
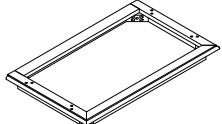
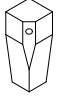
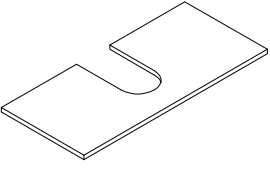
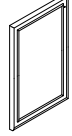
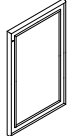
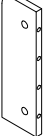

PLEASE READ INSTRUCTION BEFORE STARTING THE ASSEMBLY

Detail View - CABINET

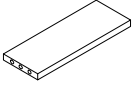
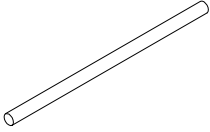

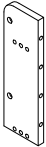
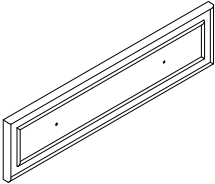
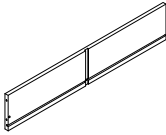
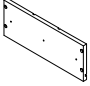
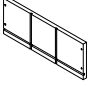
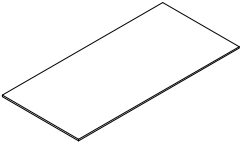
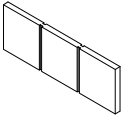
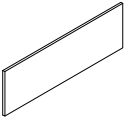


Identifying the Hardware-Identify the hardware using the illustrations below.

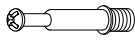




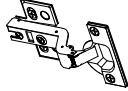
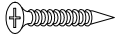
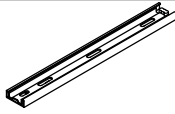
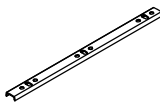
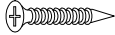

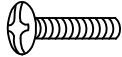

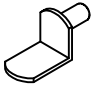



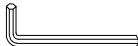
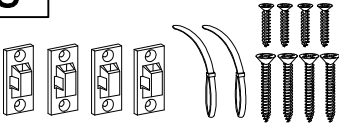
Part List - WF306250

| | |
|---|--|
| <p>1</p>  <p>Side Panel (L) - 1pc</p> | <p>2</p>  <p>Side Panel (R) - 1pc</p> |
| <p>3</p>  <p>Frame Top - 1pc</p> | <p>4</p>  <p>Front Bar Top - 1pc</p> |
| <p>5</p>  <p>Rear Panel Top - 1pc</p> | <p>6</p>  <p>Rear Panel Bottom - 1pc</p> |
| <p>7</p>  <p>Frame Mid - 1pc</p> | <p>8</p>  <p>Frame Bottom - 1pc</p> |
| <p>9</p>  <p>Foot - 4pcs</p> | <p>10</p>  <p>Adjustable Shelf - 1pc</p> |
| <p>11</p>  <p>Door (L) - 1pc</p> | <p>12</p>  <p>Door (R) - 1pc</p> |
| <p>13</p>  <p>Panel Left Side Door (L) - 1pc</p> | <p>14</p>  <p>Panel Right Side Door (L) - 1pc</p> |

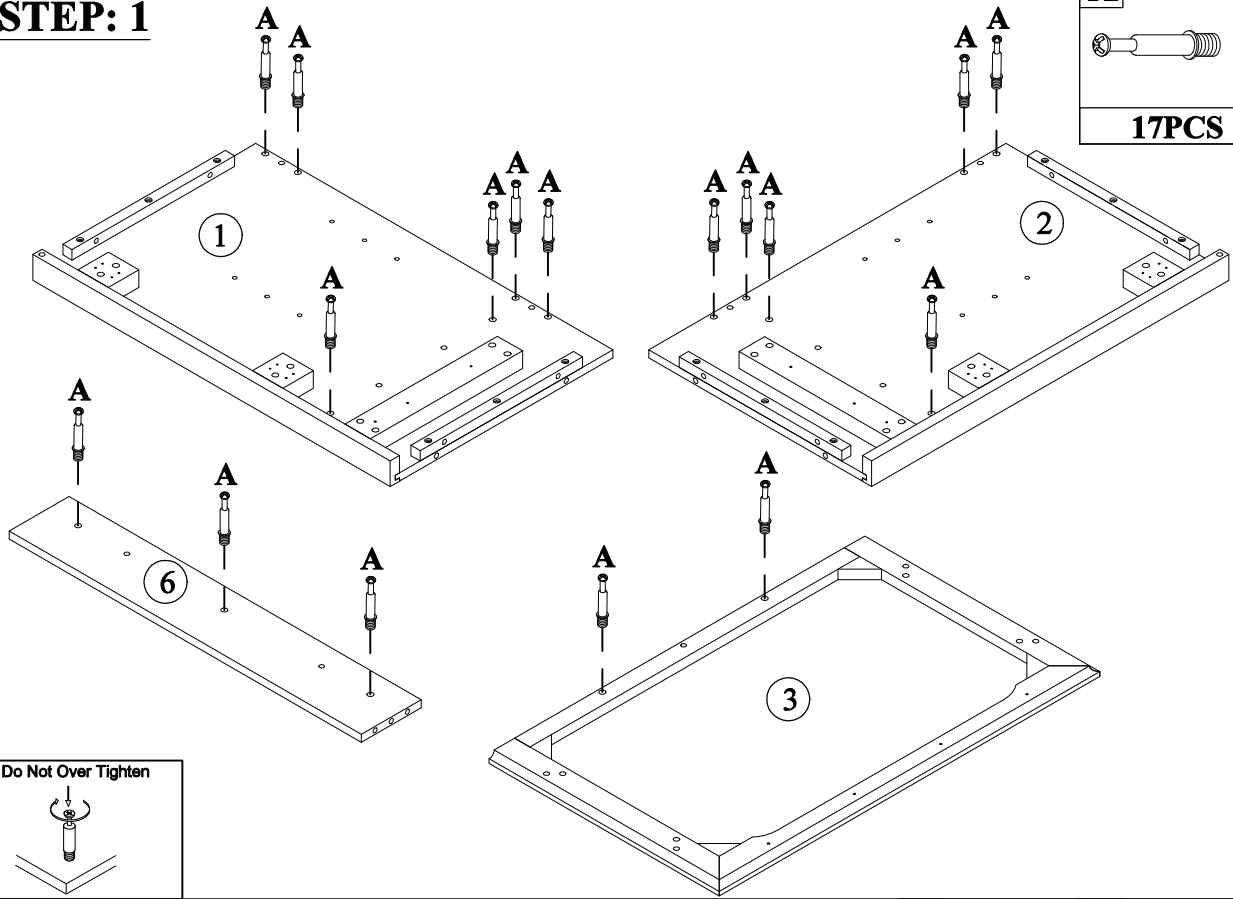
Part List - WF306250

| | |
|---|--|
| <p>15</p>  <p>Panel Mid Door - 4pcs</p> | <p>16</p>  <p>Round Bar Door - 4pcs</p> |
| <p>17</p>  <p>Panel Left Side Door (R) - 1pc</p> | <p>18</p>  <p>Panel Right Side Door (R) - 1pc</p> |
| <p>19</p>  <p>Drawer Face - 1pc</p> | <p>20</p>  <p>Drawer Rear - 1pc</p> |
| <p>21</p>  <p>Drawer Side(L) - 1pc</p> | <p>22</p>  <p>Drawer Side(R) - 1pc</p> |
| <p>23</p>  <p>Drawer Bottom - 1pc</p> | <p>24</p>  <p>Drawer Mid - 1pc</p> |
| <p>25</p>  <p>Drawer divide - 4pcs</p> | |

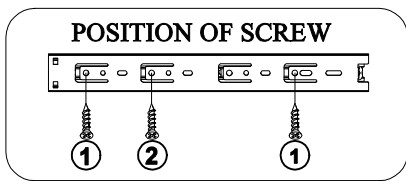
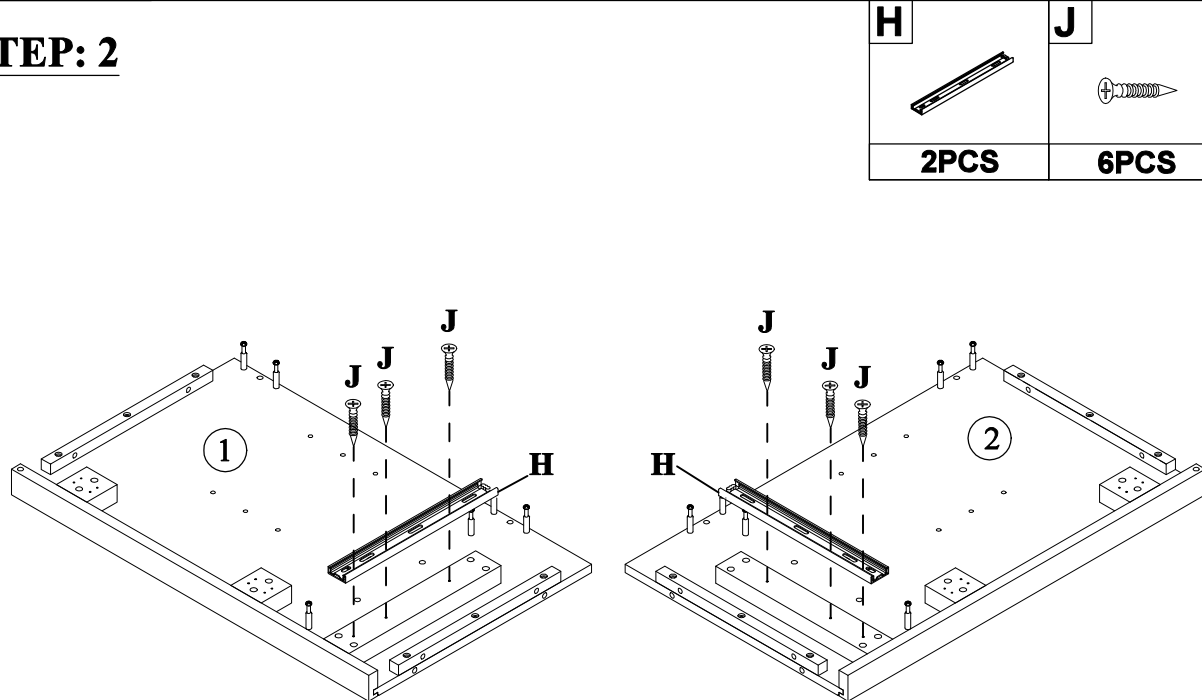
Hardware List - WF306250

| | | |
|--|--|--|
| A  ø6x35mm | B  ø14.5x12mm | C  ø13x1/4"x28mm |
| Three in one bolts (41pcs) | Three in one lock (41pcs) | Hex-Head bolts (8pcs) |
| D  ø13x1/4"x38mm Hex-Head bolts (4pcs) | E  ø1/4"x16x1mm Washer (12pcs) | F  Damping hinge (4pcs) |
| G  ø7xø3.5x15mm Flat head screw (24pcs) | H  ø300x35mm Slide rails (2pcs) | I  ø298x18mm Slide rails (2pcs) |
| J  ø6xø3x12mm Flat head screw (12pcs) | K  Handle (4pcs) | L  ø5/32"x15mm Handle screw (2pcs) |
| M  ø5/32"x28mm Handle screw (2pcs) | N  Laminate pad(4pcs) | O  ø8xø4x30mm Round head screw (8pcs) |
| P  ø8xø4x25mm Round head screw (4pcs) | Q  ø8x30mm Wood dowel (33pcs) | R  4mm Allen key (1pc) |
| S  Anti fall hardware (1set) | | |


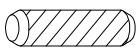
STEP: 1

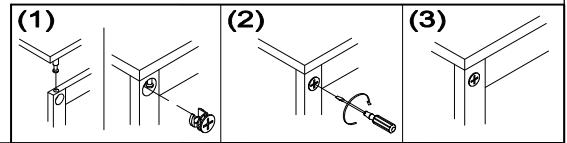
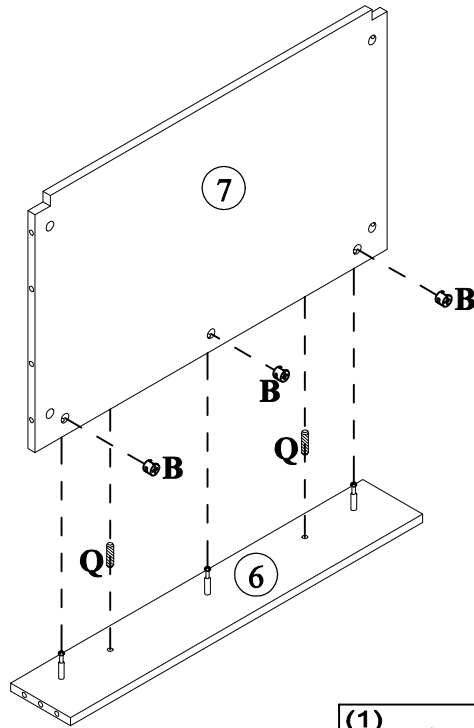


STEP: 2


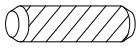


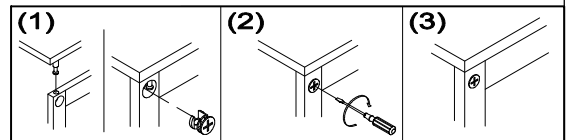
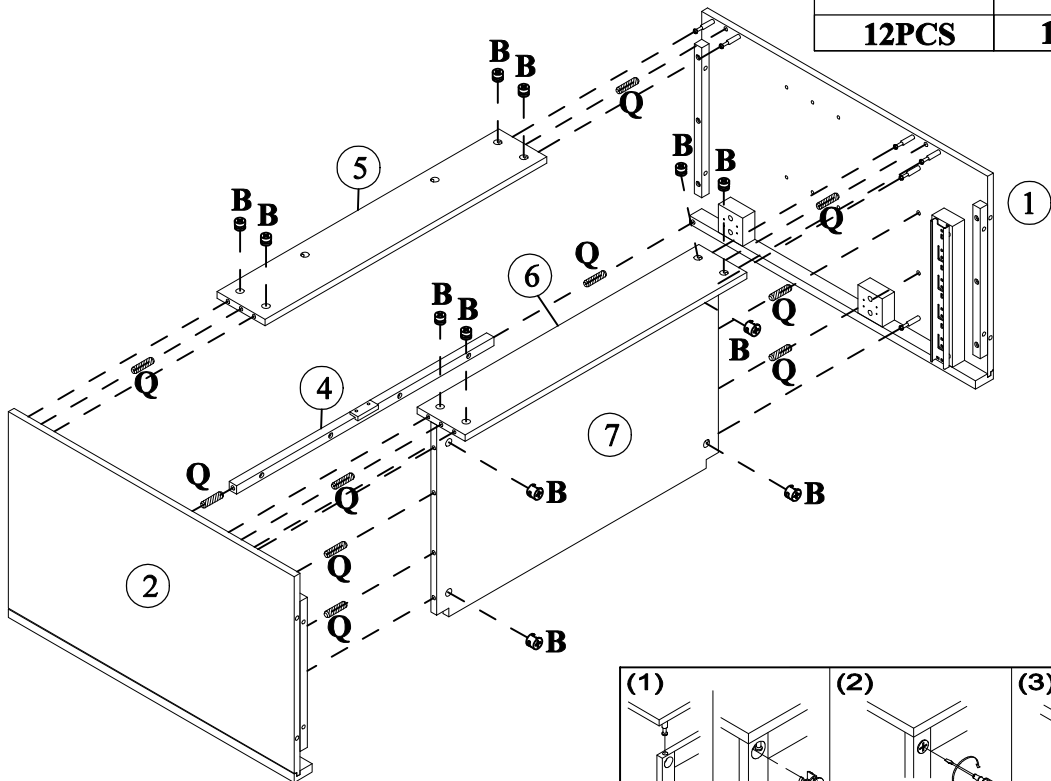
STEP: 3

| | | | |
|-------------|---|-------------|---|
| B |  | Q |  |
| 3PCS | | 2PCS | |


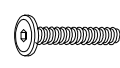


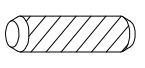


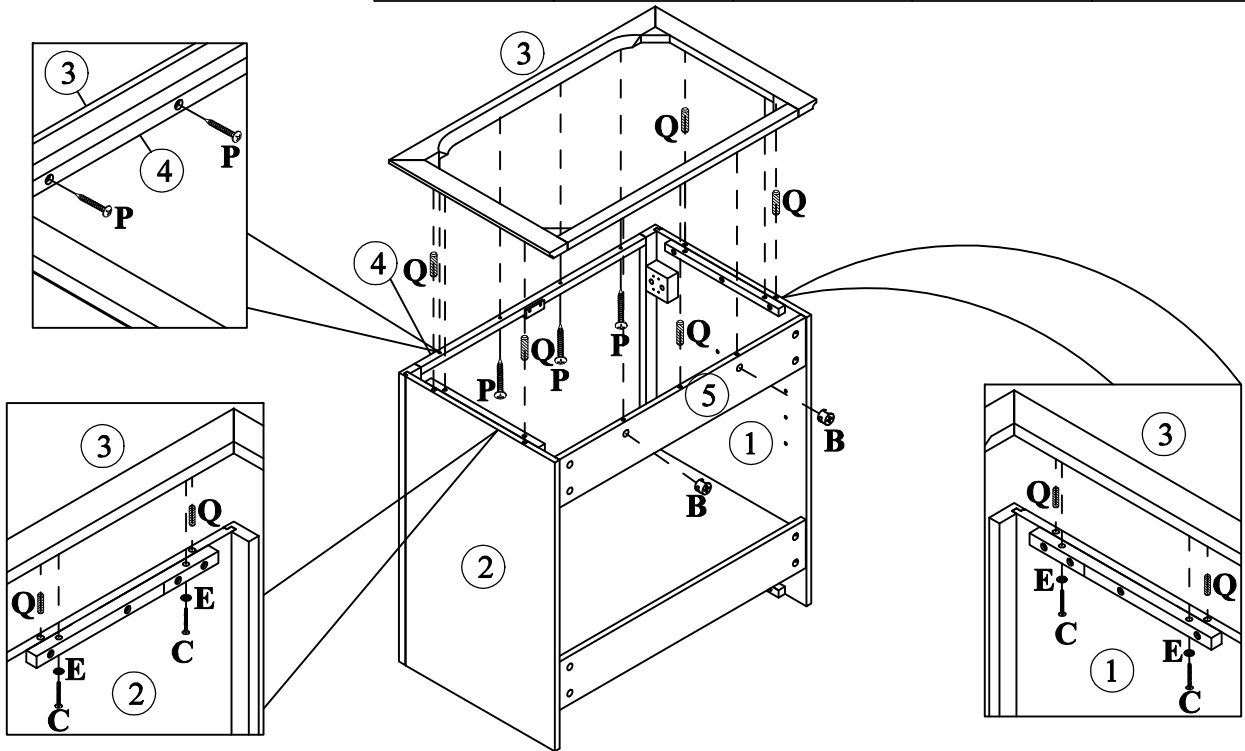
STEP: 4

| | | | |
|--------------|---|--------------|---|
| B |  | Q |  |
| 12PCS | | 10PCS | |

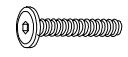



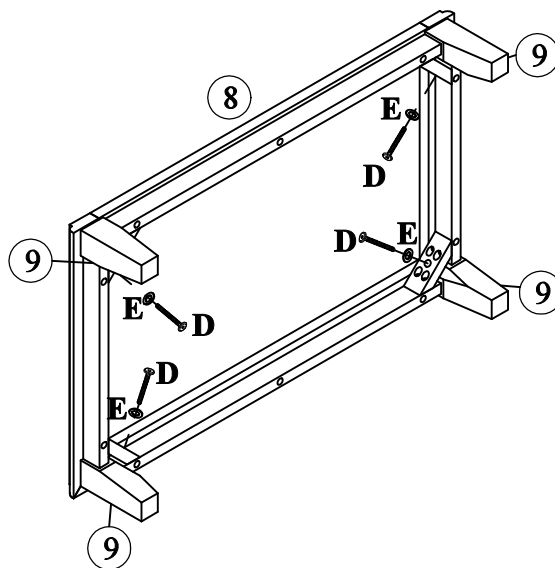
STEP: 5

| | | | | | | | | | |
|----------|---|----------|---|----------|--|----------|---|----------|---|
| B |  | C |  | E |  | P |  | Q |  |
| | 2PCS | | 4PCS | | 4PCS | | 4PCS | | 5PCS |



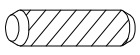


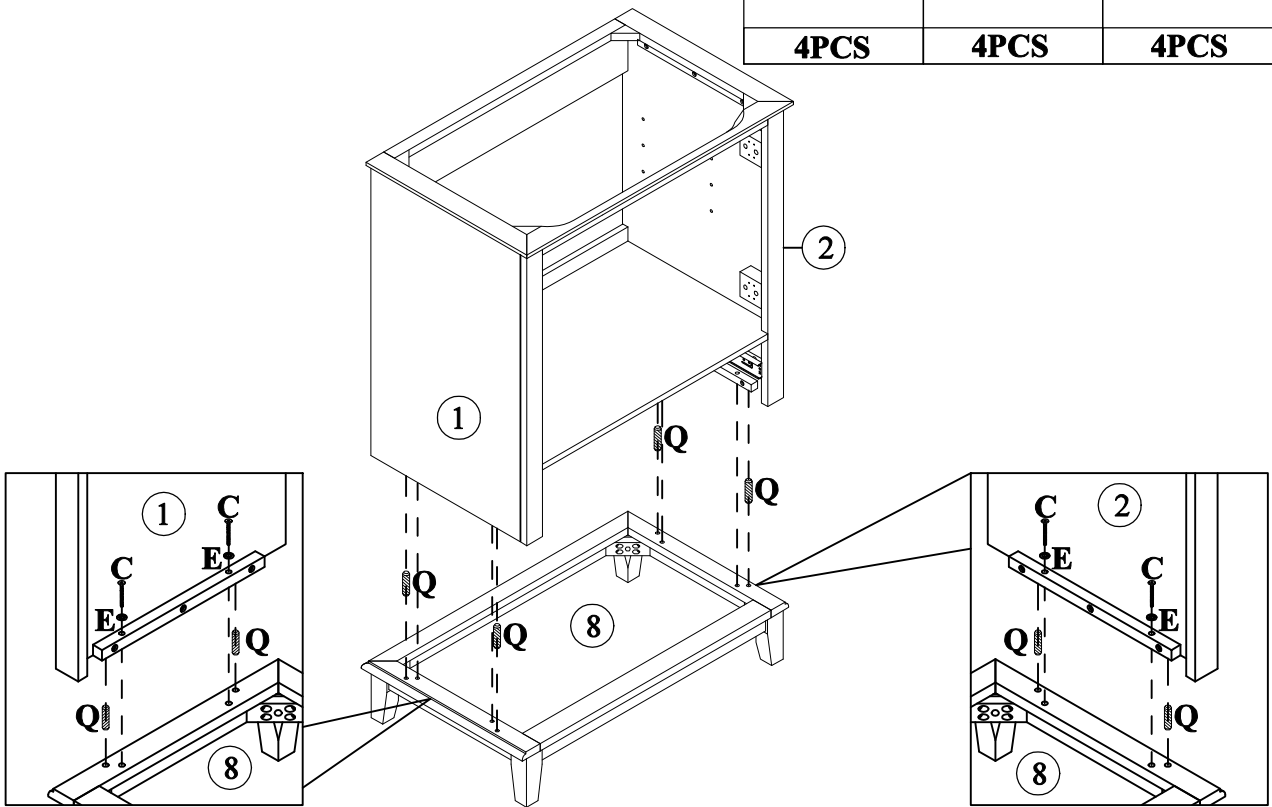
STEP: 6

| | | | |
|----------|---|----------|---|
| D |  | E |  |
| | 4PCS | | 4PCS |

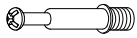


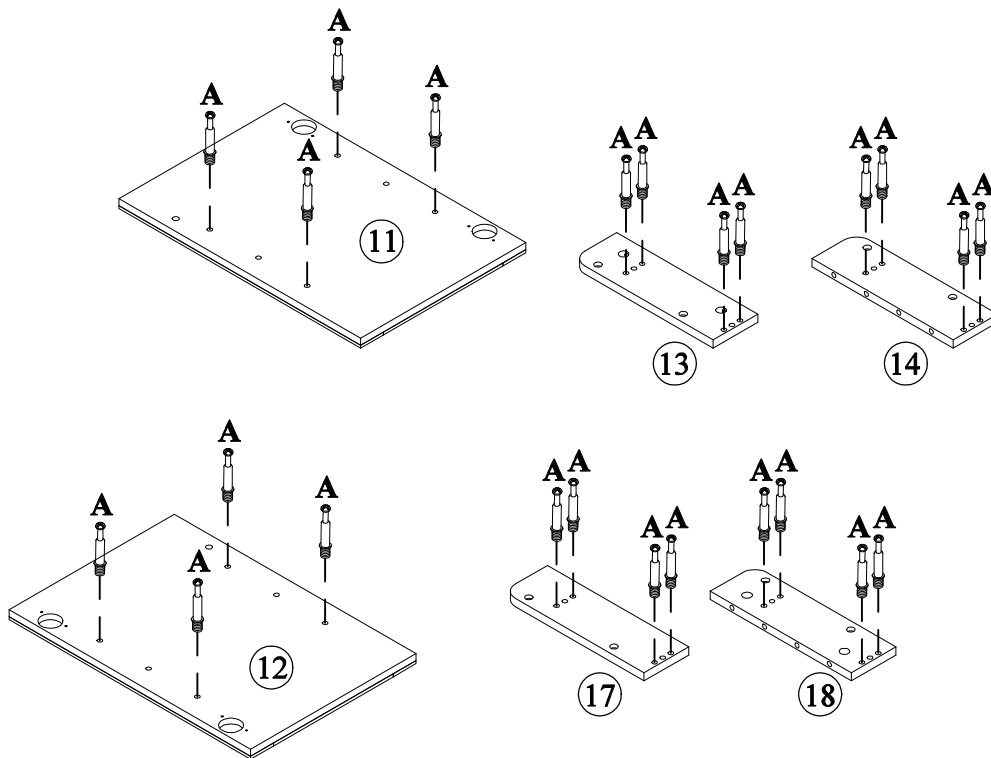
STEP: 7

| | | |
|--|---|---|
| C  | E  | Q  |
| 4PCS | 4PCS | 4PCS |


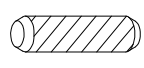

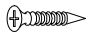


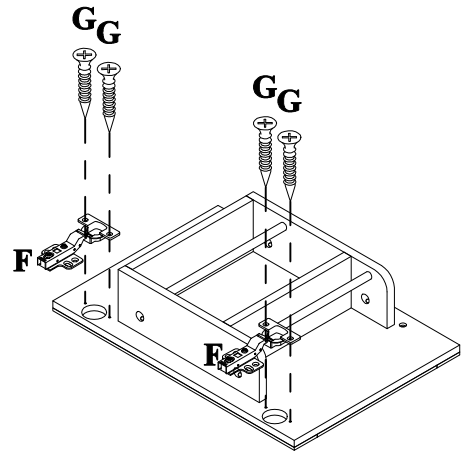
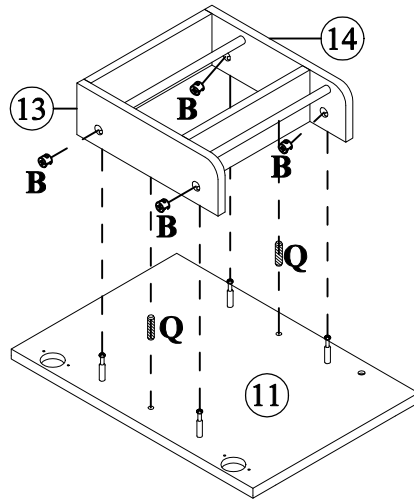
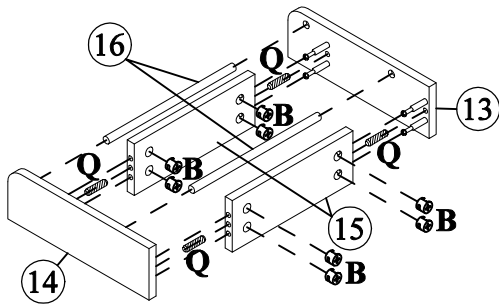
STEP: 8

| |
|---|
| A  |
| 24PCS |


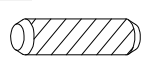

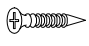


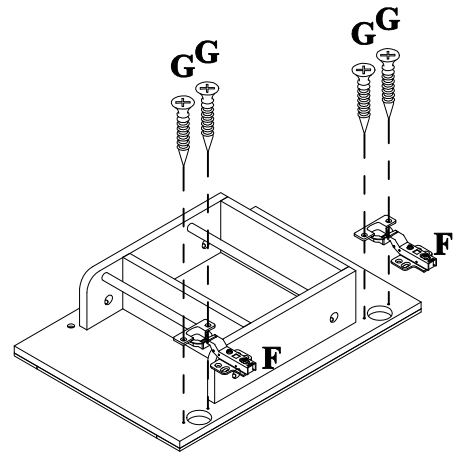
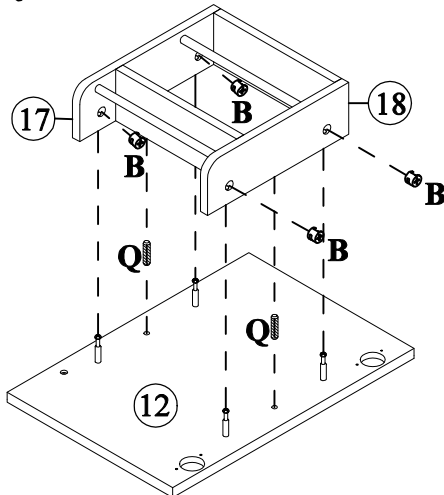
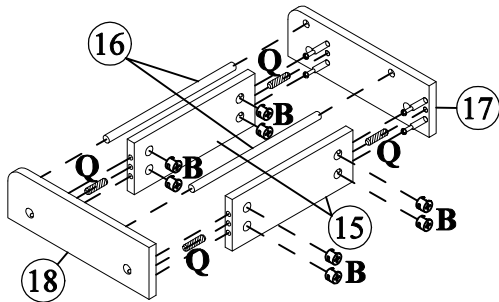
STEP: 9

| B | Q | F | G |
|---|--|---|---|
|  |  |  |  |
| 12PCS | 6PCS | 2PCS | 4PCS |


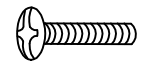



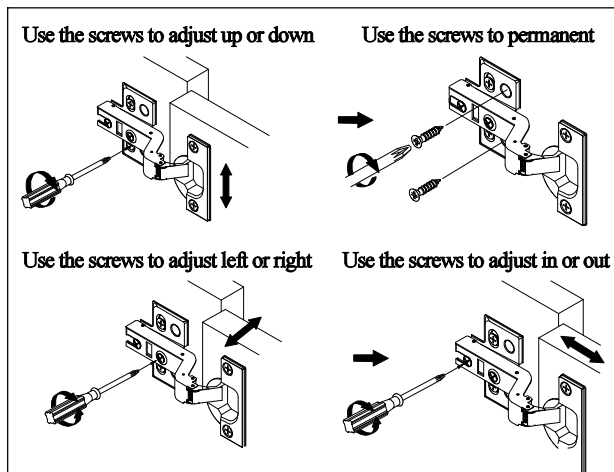
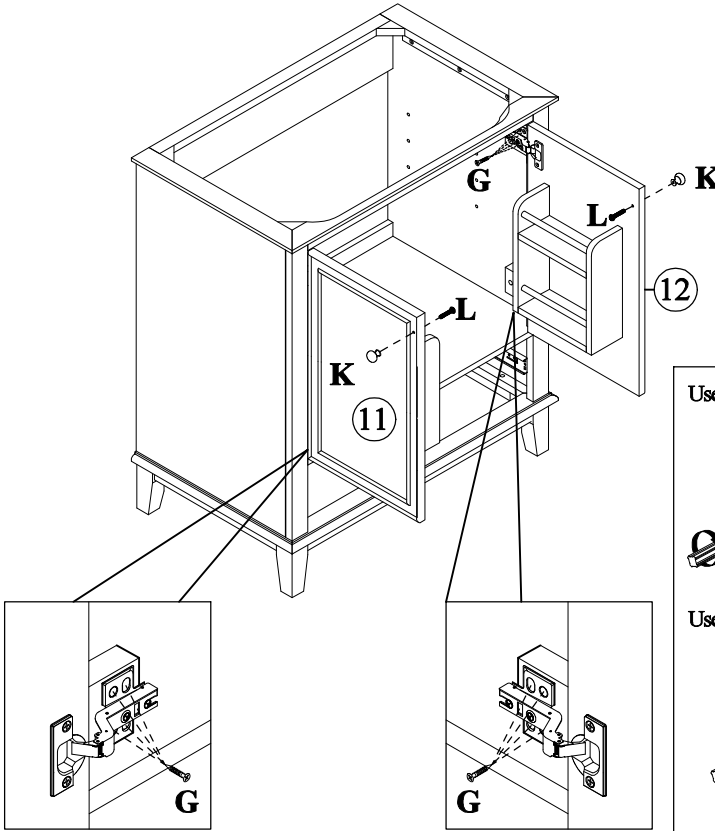
STEP: 10

| B | Q | F | G |
|---|--|---|---|
|  |  |  |  |
| 12PCS | 6PCS | 2PCS | 4PCS |




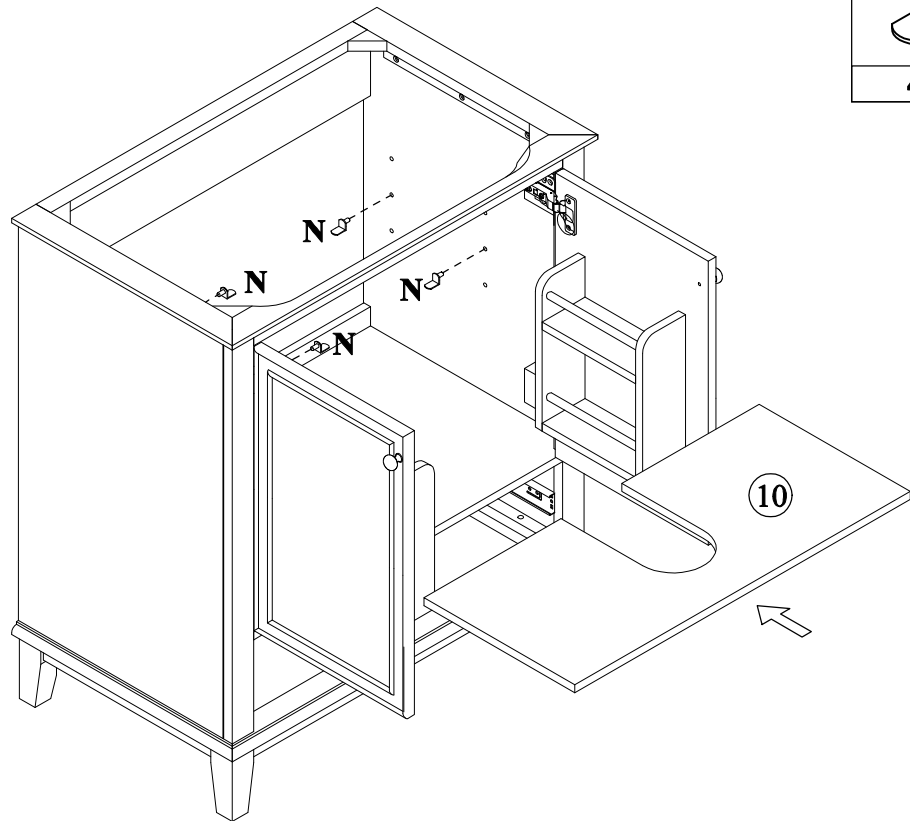
STEP: 11

| | | |
|--|---|---|
| K | L | G |
|  |  |  |
| 2PCS | 2PC | 16PCS |

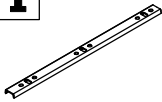
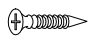


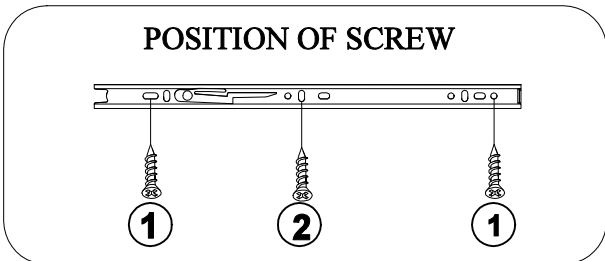
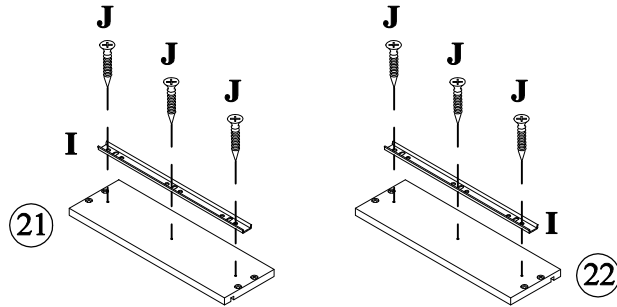
STEP: 12

| |
|---|
| N |
|  |
| 4PCS |

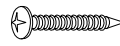


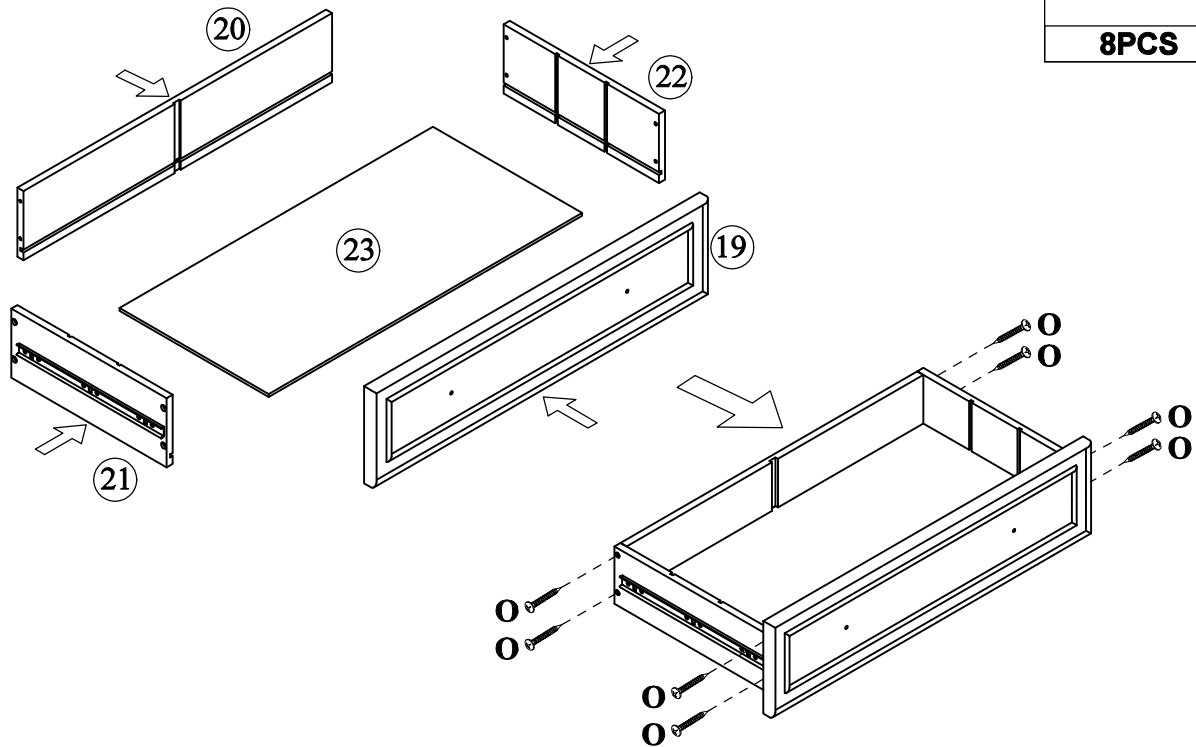
STEP: 13

| | | | |
|----------|---|----------|---|
| I |  | J |  |
| | 2PCS | | 6PCS |


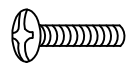


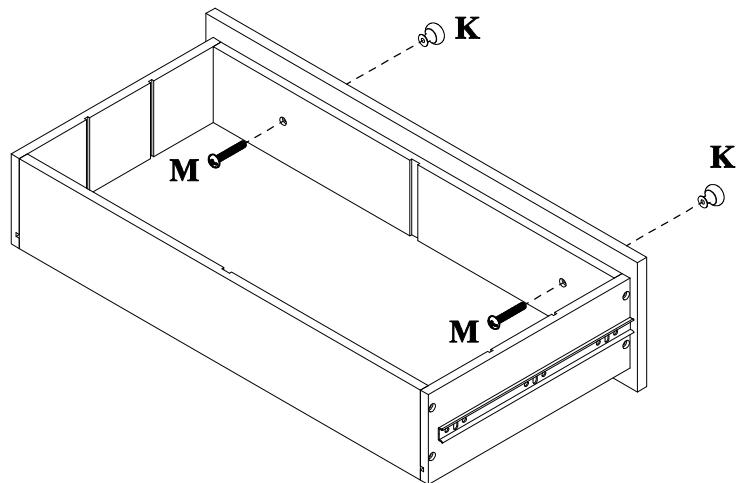
STEP: 14

| | |
|----------|---|
| O |  |
| | 8PCS |

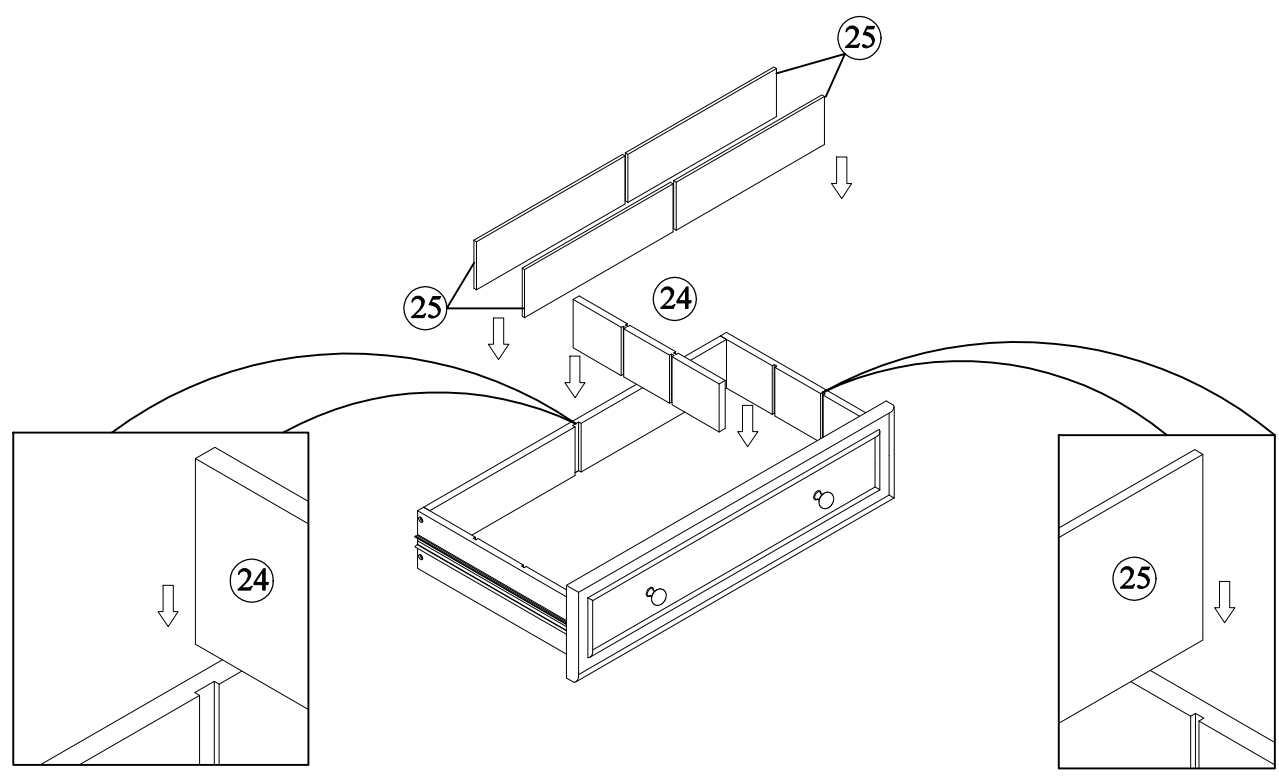


STEP: 15

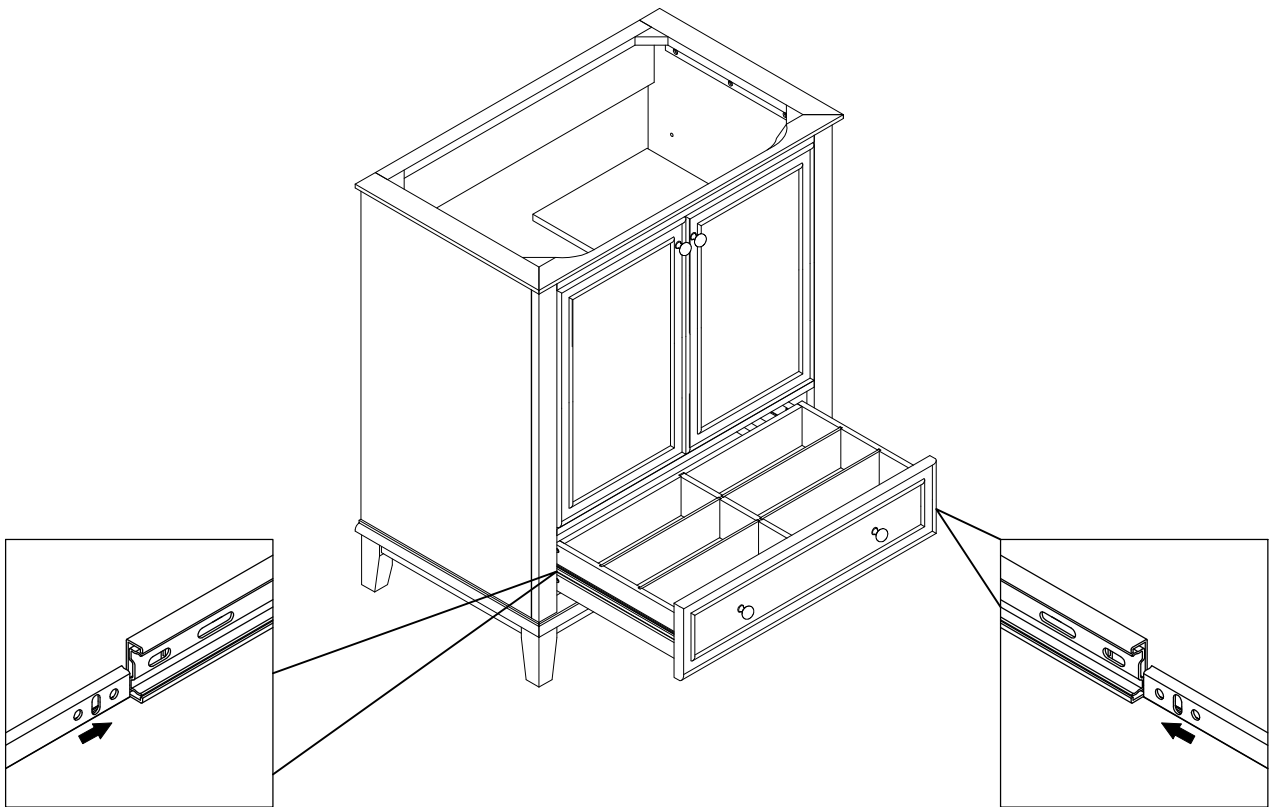
| | | | |
|----------|---|----------|---|
| K |  | M |  |
| | 2PCS | | 2PCS |



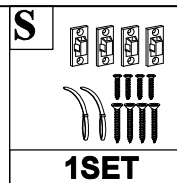
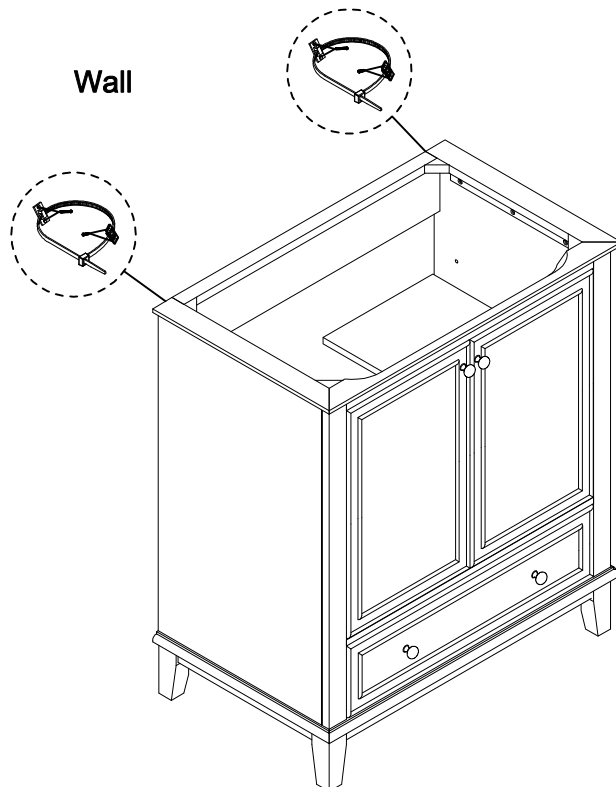
STEP: 16



STEP: 17

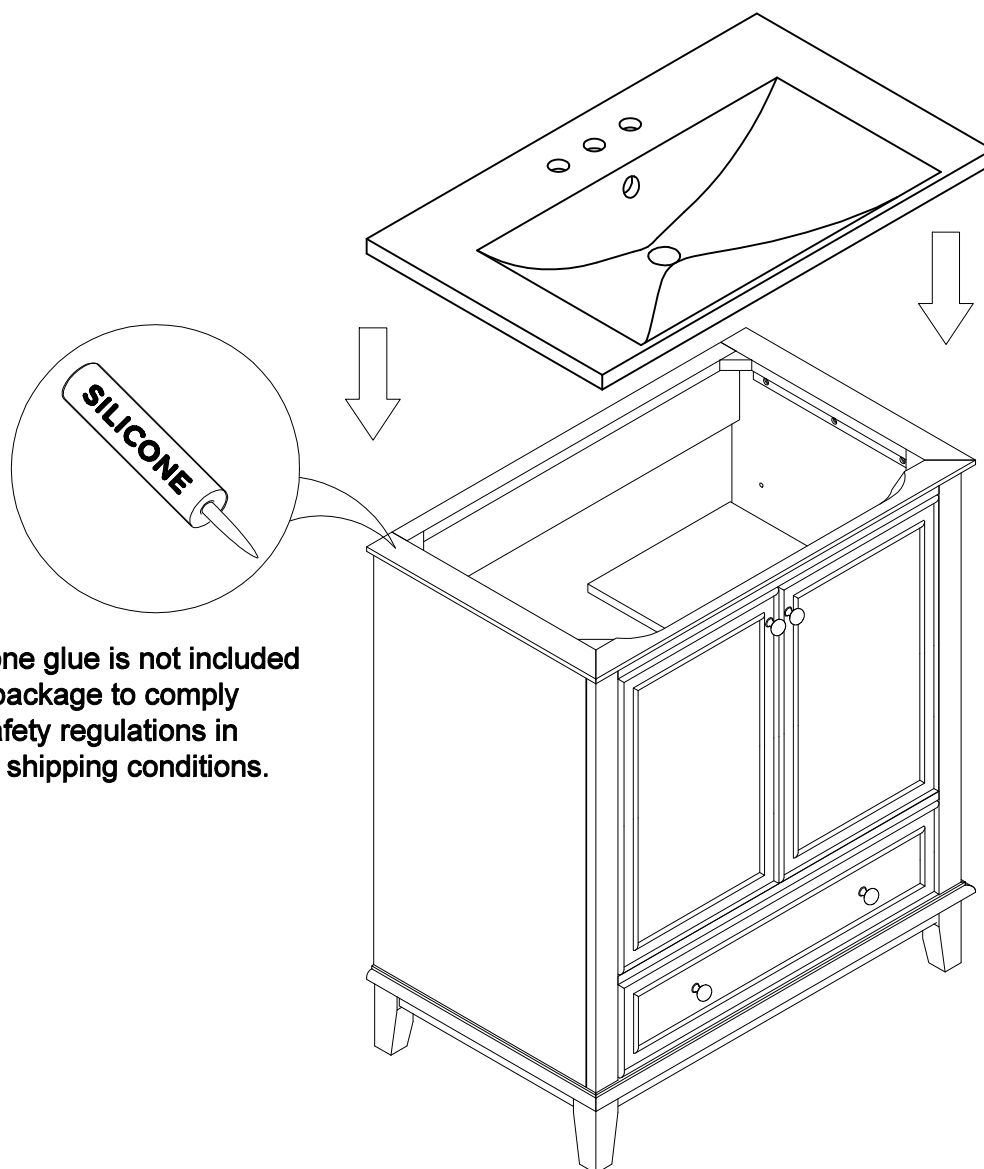


STEP: 18



STEP: 19

**Install the sink on the cabinet with glue.
Let stand for 24 hours**



***Silicone glue is not included
in the package to comply
with safety regulations in
certain shipping conditions.**

STEP: 20

