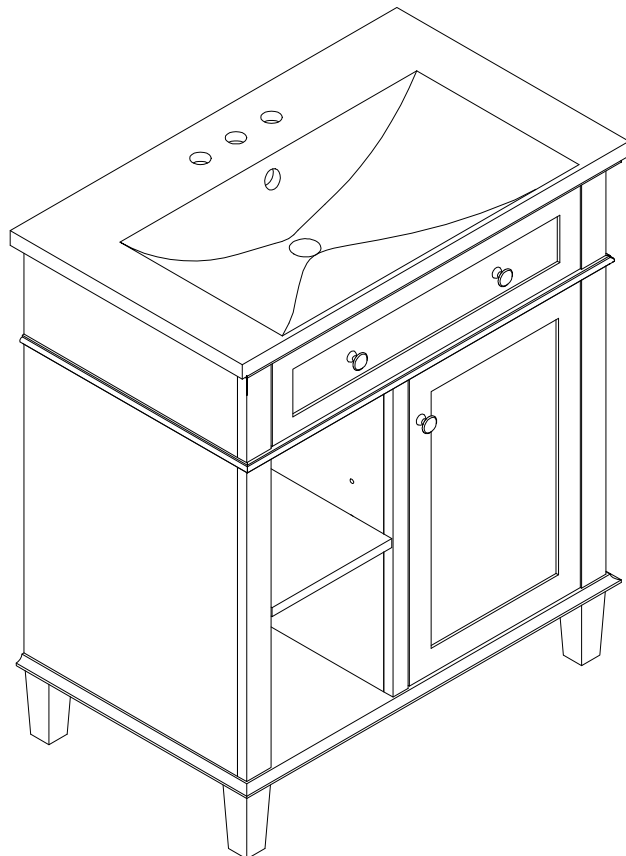


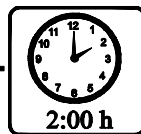
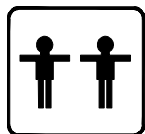
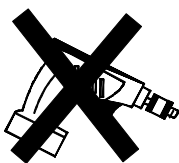
ASSEMBLY INSTRUCTIONS

30 INCH BATH VANITY-CABINET

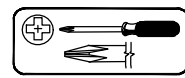


Thank you for purchasing this quality product. Be sure to check all packing material carefully for small parts which may have come loose inside the carton during shipment. Separate, identify and count all parts and hardware. Compare with the parts list to be sure all parts are present.
"DO NOT TIGHTEN SCREWS UNTIL COMPLETELY ASSEMBLED"

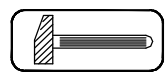
*** Use of power tool to assemble this product will invalidate any claim and damage this product making unsafe !!!**
*** Please assemble on a clean soft surface to avoid damage.**



Tools Required



(Not included)



(Not included)

IMPORTANT:

PLEASE READ INSTRUCTION BEFORE STARTING THE ASSEMBLY

Thank you for buying our products.

Please read the installation manual carefully before installation,

we need you to follow the instructions on the accessories and hardware

step by step assembly complete, our instructions are very detailed.

Products are environmentally friendly products,

Please rest assured that you do not soak in water, do not place very heavy items,

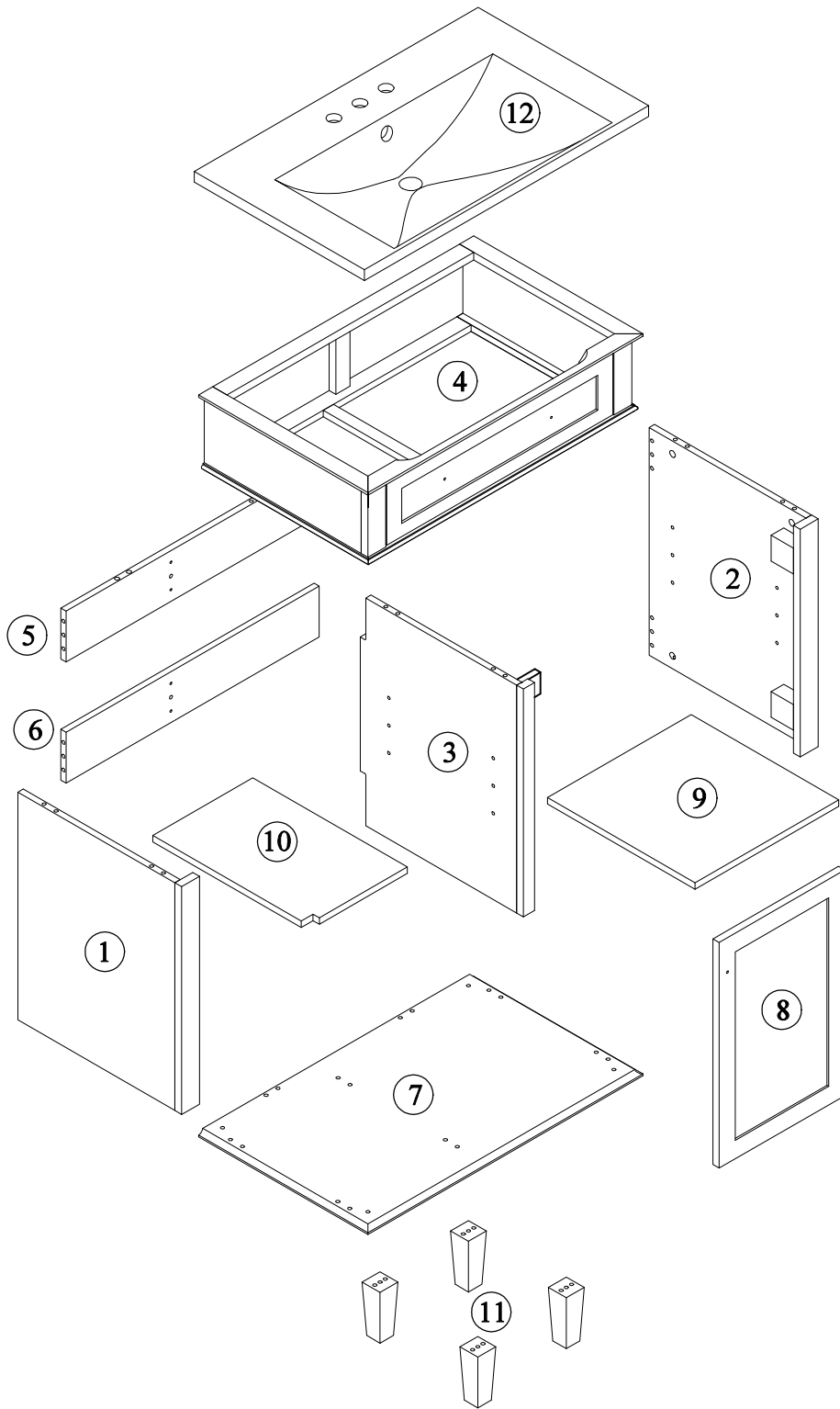
do not malicious push and pull,

if you have any problems in the process of assembly and use, please contact us.

Thank you again for your purchase of our products,

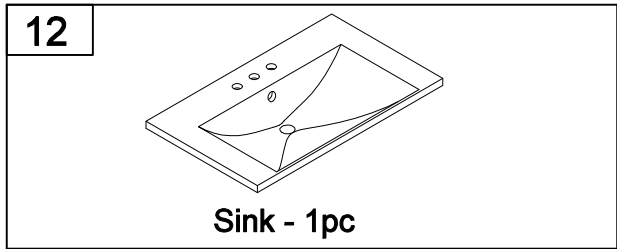
I wish you a happy life.

Detail View - CABINET

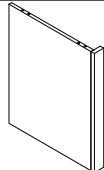
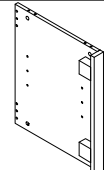
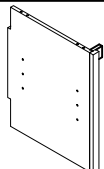
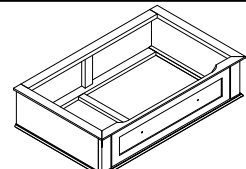
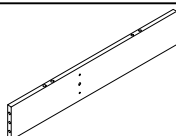
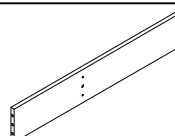
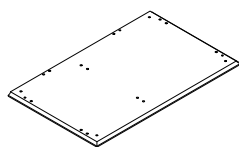
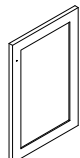
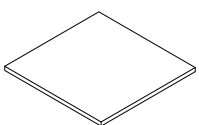
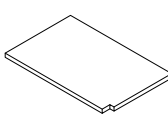
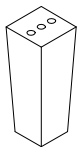


Identifying the Hardware-Identify the hardware using the illustrations below.


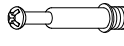



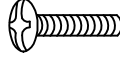
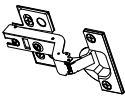
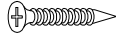



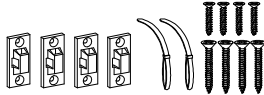
Part List - WF299670




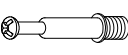
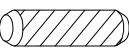
Part List - WF299671

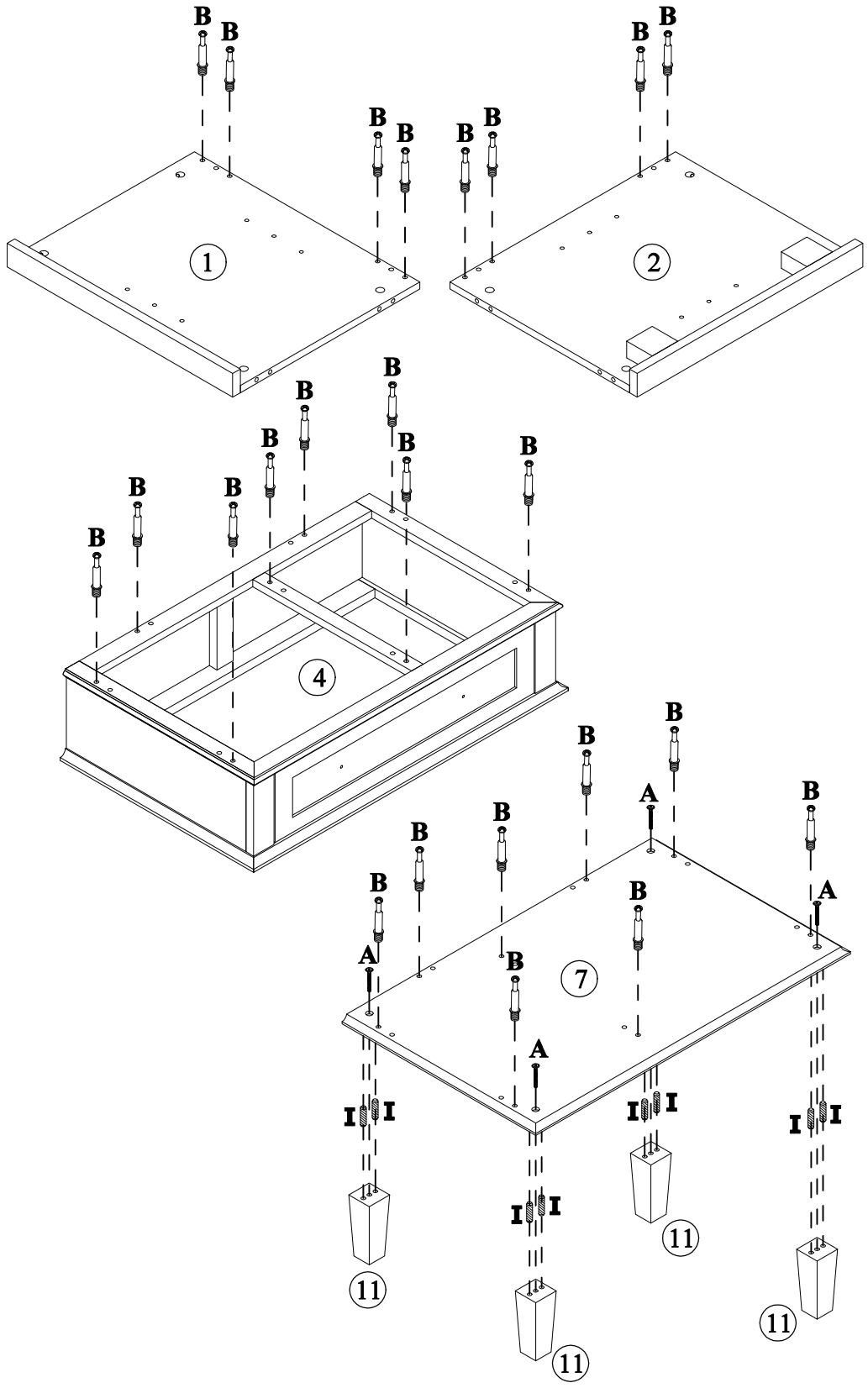
1		2	
Side Panel (L) - 1pc		Side Panel (R) - 1pc	
3		4	
Mid Fixed Panel - 1pc		Frame Top - 1pc	
5		6	
Back Panel Top - 1pc		Back Panel Bottom - 1pc	
7		8	
Panel Bottom - 1pc		Door - 1pc	
9		10	
Adjustable Shelf (R) - 1pc		Adjustable Shelf (L) - 1pc	
11			
Foot - 4pcs			

Hardware List - WF299671


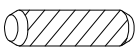
<p>A</p>  <p>ø13x1/4"x30mm</p>	<p>B</p>  <p>ø6x35mm</p>	<p>C</p>  <p>ø14.5x12mm</p>
<p>Hex-Head bolts - 4pcs Three in one bolts - 24pcs Three in one lock - 24pcs</p>		
<p>D</p>  <p>ø8xø4x25mm</p>	<p>E</p> 	<p>F</p>  <p>ø5/32"x22mm</p>
<p>Round head screw - 4pcs Handle - 3pcs Handle screw - 3pcs</p>		
<p>G</p> 	<p>H</p>  <p>ø7xø3.5x15mm</p>	<p>I</p>  <p>ø6x30mm</p>
<p>Damping hinge - 2pcs Flat head screw - 12pcs Wood dowel - 30pcs</p>		
<p>J</p> 	<p>K</p>  <p>4mm</p>	<p>L</p> 
<p>Laminate pad - 8pcs Allen key - 1pc Anti fall hardware - 1set</p>		

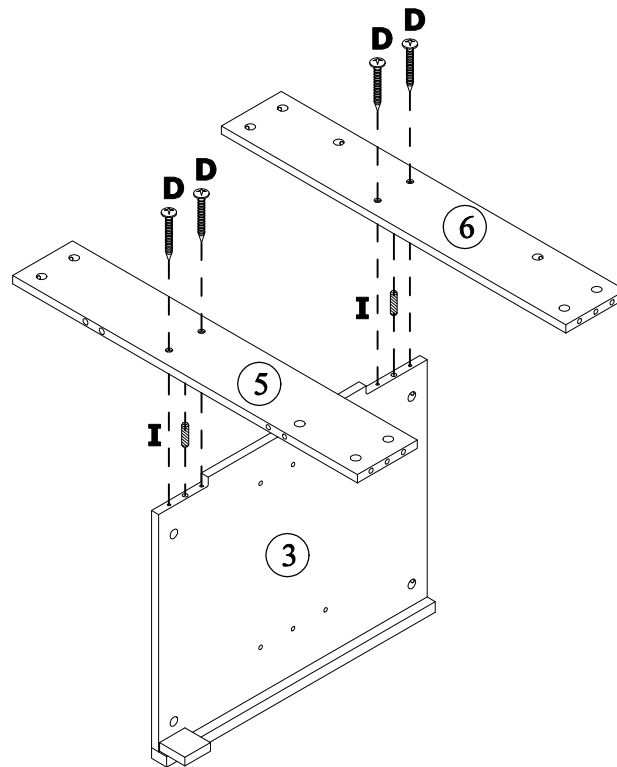
STEP: 1

A 	B 	I 
4PCS	24PCS	8PCS


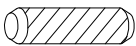


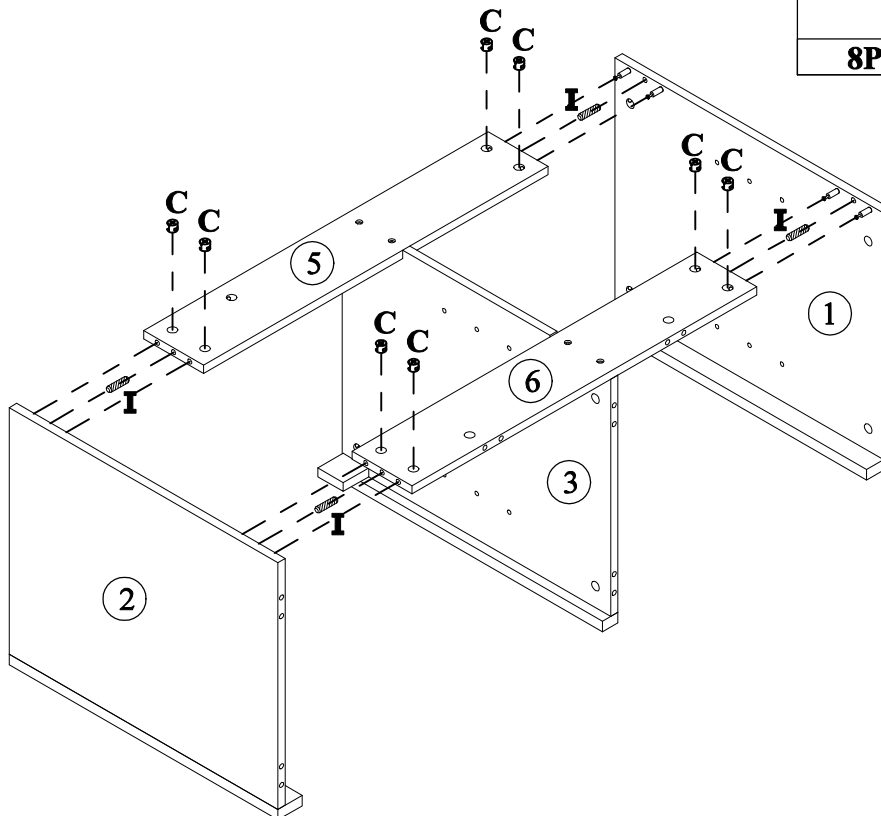
STEP: 2

D	I
	
4PCS	2PCS

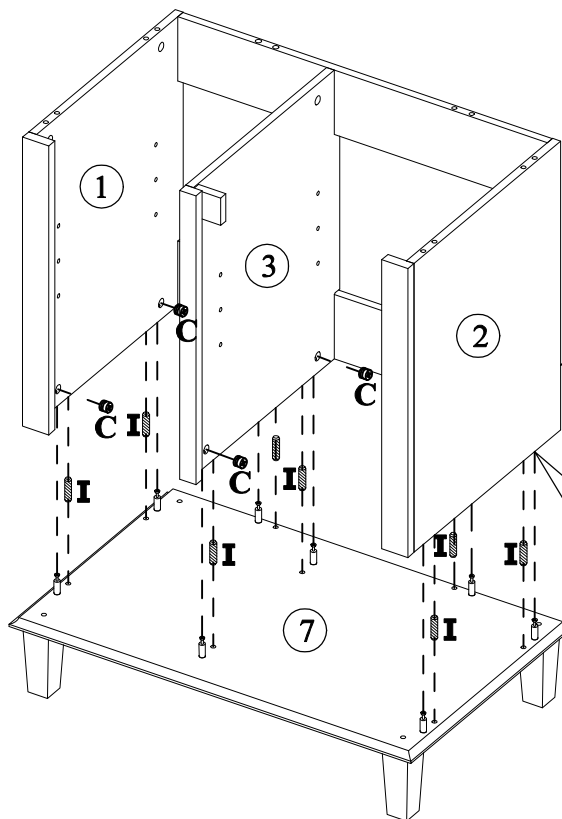



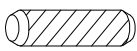
STEP: 3

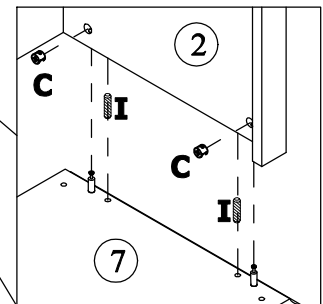
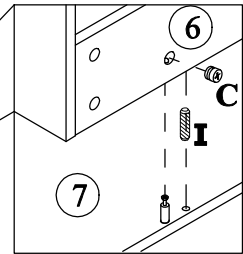
C	I
	
8PCS	4PCS



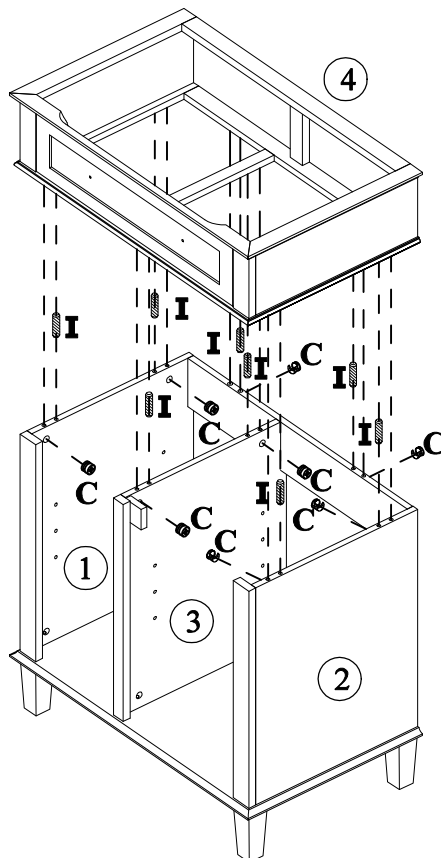
STEP: 4





C 	I 
8PCS	8PCS





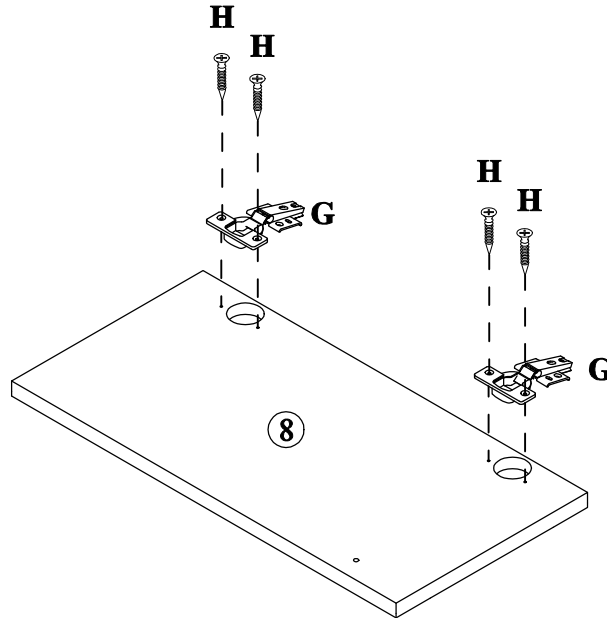
STEP: 5




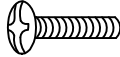
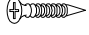
C 	I 
8PCS	8PCS

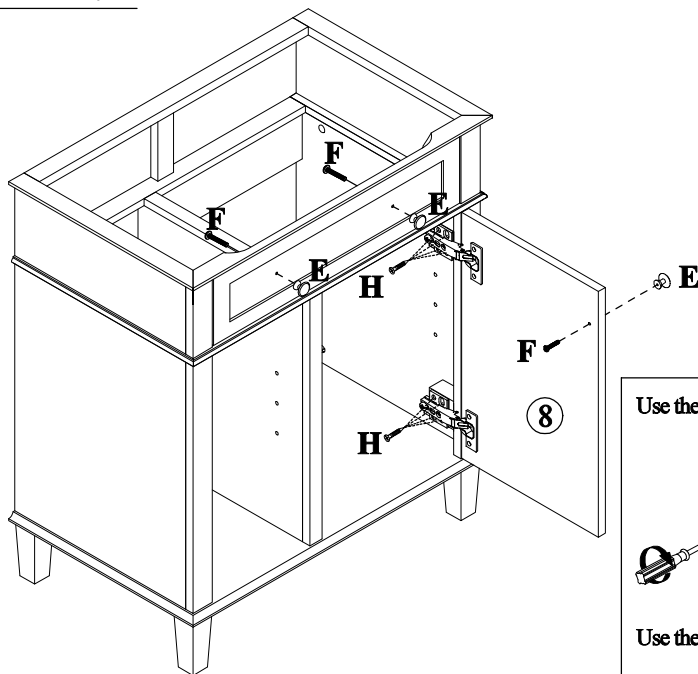
STEP: 6

G		H	
	2PCS		4PCS

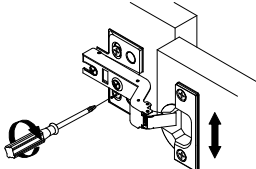
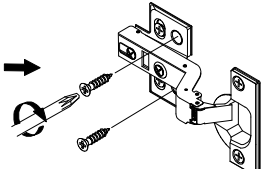


STEP: 7

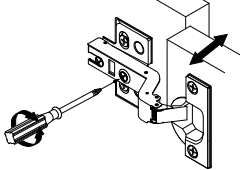
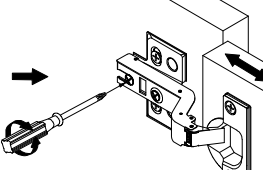
E		F		H	
	3PCS		3PCS		8PCS



Use the screws to adjust up or down Use the screws to permanent

Use the screws to adjust left or right Use the screws to adjust in or out

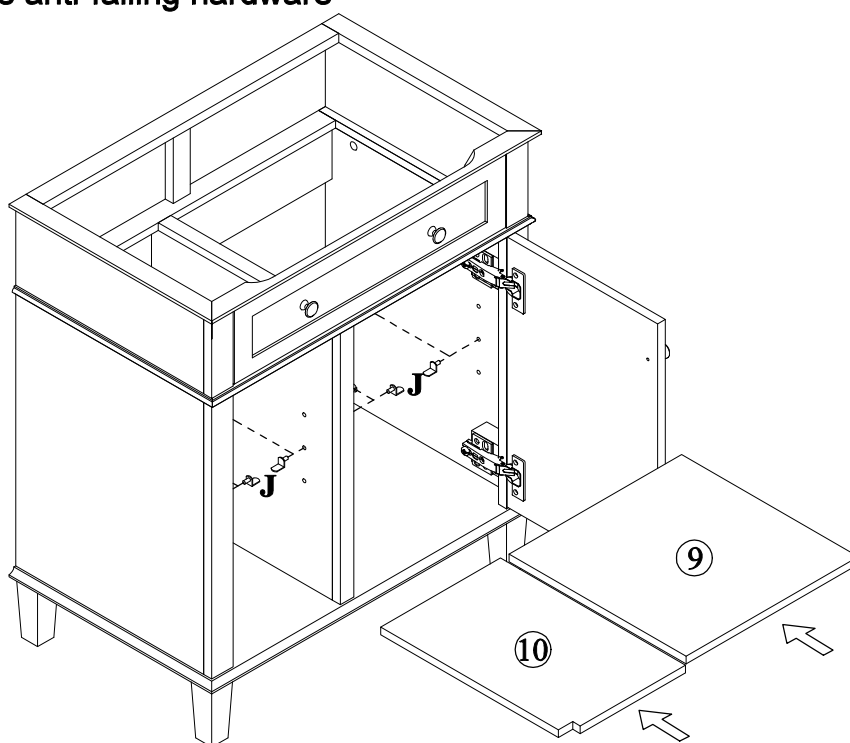
STEP: 8

The structure of the cabinet is quite stable, if you are not sure, you can use anti-falling hardware

J

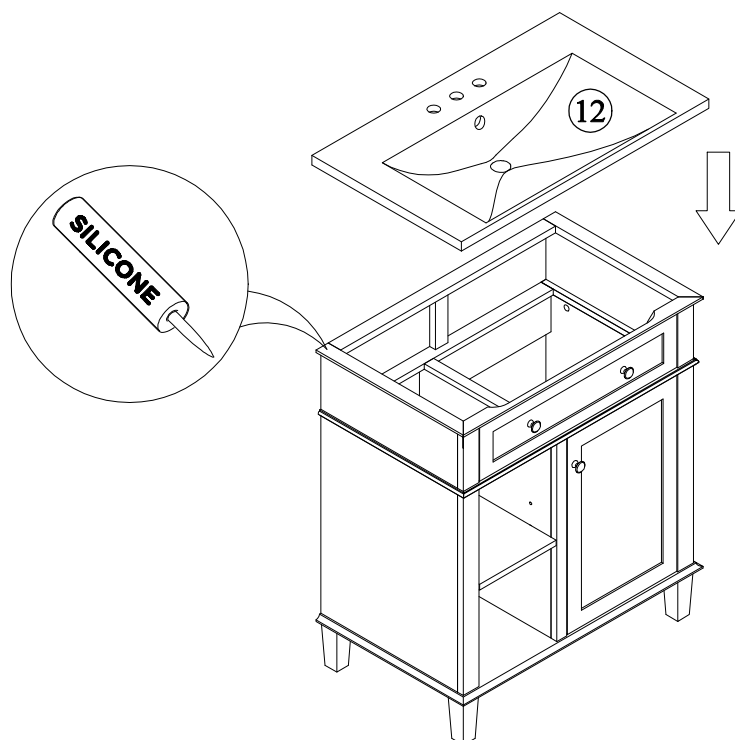


8PCS



STEP: 9

Install the sink on the cabinet with glue.
Let stand for 24 hours



STEP: 10

