

WOODEN PLAYSET OWNER'S MANUAL & ASSEMBLY INSTRUCTIONS



WARNING

THIS INSTRUCTION MUST BE KEPT
RESIDENTIAL HOME USE ONLY, OUT DOOR USE ONLY THIS
UNIT IS NOT INTENDED FOR PUBLIC USE
DON'T INSTALL OVER CONCRETE ASPHALT OR ANY OTHER
HARD SURFACE

** Pictures shown are for illustration purpose only. Actual product may vary due to product enhancement.*

IMPORTANT SAFETY INFORMATION

⚠️ WARNING:

- **To reduce the risk of serious injury or death, you MUST read and follow these instructions before assembly and before use.**
- CONTINUOUS ADULT SUPERVISION IS REQUIRED.
- This unit is recommended for use by children 3-10 years of age.
- WARNING: ONLY FOR DOMESTIC USE.
- RESIDENTIAL HOME USE ONLY. This unit is not intended for public use. The manufacturer does not warranty this product if it is used for commercial purposes like daycare, schools, churches, nurseries or parks.
- Children must not use this product prior to complete assembly and inspection by a competent adult. The unit must be fully assembled, properly installed and anchored prior to use.
- Do not modify original toy.

SERIOUS HEAD INJURY HAZARD:

Installation over concrete, asphalt, dirt, grass, carpet and other hard surfaces creates a risk of serious injury or death from falls to the ground. Install and maintain shock absorbing material under and around this unit as recommended in this manual.

COLLISION HAZARD:

Place this unit on level ground at least 6 ft. (2m) from any obstruction such as a garage or house, fences, poles, trees, sidewalks, walls, landscape timbers, rocks, pavement, planters, garden borders, overhanging branches, laundry lines, and electrical wires.

CHOKING HAZARD/ SHARP EDGES & POINTS:

ADULT ASSEMBLY REQUIRED. This product contains small parts and parts with sharp edges and points. Keep parts away from children until fully assembled.

STRANGULATION HAZARD:

- NEVER allow children to play with ropes, clotheslines, pet leashes, cables, chains, cord-like items, or items with a cord or strap when playing on this unit. DO NOT attach these items or similar items to this unit.
- NEVER allow children to wear loose-fitting clothing, such as, but not limited to: ponchos, hoods, scarves, capes, necklaces, items with draw-strings, cords or ties when playing on this unit. Open-toe/open-heel footwear is not permitted. Children should wear well-fitting clothing and closed-toe shoes.
- NEVER allow children to wear bike or sports helmets when playing on this unit. Instruct them to remove these items before playing on this unit.

TIP OVER HAZARD:

Choose a level surface for this equipment. This can reduce the likelihood of the unit tipping over and loose-fill materials from washing away during heavy rains. DO NOT allow children to play on this unit until assembly is complete and the unit is properly anchored.

WARNING LABEL:

Owners are responsible for maintaining legibility of the warning labels. Please remove the protective film on the signage and logo plate before use.

INSTRUCTIONS FOR SAFE USE

⚠️ WARNING:

- User safety is our top concern. Read and understand the following statements and warnings to reduce the likelihood of serious or fatal injury. Review this information with your child and any other users.
1. ON-SITE, CONTINUOUS ADULT SUPERVISION IS REQUIRED FOR CHILDREN OF ALL AGES. Most serious injuries and deaths on playground equipment result when children are playing unsupervised. This product meets all applicable safety standards. Complying with all warnings and important information in this manual will reduce the risk of serious or fatal injury to children playing on this unit. Review all warnings and play information regularly with any child using this unit. Ensure children fully understand and follow these instructions.
 2. This unit is designed for a specific number of users whose combined weight should not exceed the capacity limitations of 110 lbs. per child with a maximum of 4 children.
 3. DO NOT walk close to, in front of, behind, or between moving swings or other moving equipment.
 4. DO NOT stand on swings. Only sitting is permitted.
 5. DO NOT twist the chains and ropes of the swings or loop them over the top support bar, as this may reduce the strength of the chain or rope.
 6. DO NOT get off swings or other playground equipment in motion.
 7. DO NOT push empty swing seats to prevent them from swinging back and causing possible injury.
 8. Children should sit with full weight in the center of the swings to prevent erratic swing motions and falling off the swings.
 9. DO NOT allow children to use the equipment in a manner other than intended.
 10. DO NOT slide head first. Always go down the slide feet first.
 11. Look before sliding to ensure no one is at the bottom of the slide.
 12. Never run up a slide, as this increases the chance of falling.
 13. DO NOT climb or use the unit when it is wet. Wipe dry before use.
 14. DO NOT jump from the deck or any part of the unit. Always use ladders and ramps. Standing on or jumping from elevated surfaces can be dangerous.
 15. DO NOT crawl or climb on the roof.
 16. Verify that any suspended climbing rope, chain, or cable is secured at both ends and that it cannot be looped back on itself and create an entanglement hazard.
 17. MINIMUM CLEARANCE BETWEEN SWINGS AND GROUND: 14 in. (350 mm).
 18. DO NOT attach items to the unit that are not specifically designed for use with the unit, such as, but not limited to: jump ropes, clotheslines, pet leashes, cables and chains, as they may cause a strangulation hazard.
 19. Never add extra length to chain or rope. The chains or ropes provided are the maximum length designed for the swinging elements.
 20. DO NOT wrap legs around the swing chain.
 21. DO NOT slide down the swing chain.
 22. On hot days, check the slide and other plastic components to ensure they are not too hot for use. Cool the hot slide and any plastic rides with water and wipe dry before use.

IMPORTANT SAFETY INFORMATION

RECOMMENDED SURFACING

⚠️ WARNING:

To reduce the likelihood of serious head injuries, install shock-absorbing protective surfacing under and around this unit. The protective surfacing should be applied to a depth suitable for the unit height in accordance with ASTM F1292. Follow the guidelines below for each type of surfacing:

NOTE:

- DO NOT install this unit over concrete, asphalt, packed earth, grass, carpet, or any other hard surface. A fall onto a hard surface can result in serious injury to the user. Grass and dirt are not considered protective surfacing because wear and environmental factors can reduce their shock-absorbing effectiveness. Carpeting and thin mats are not adequate protective surfacing.

- *Ground level equipment, such as a sandbox, activity wall, playhouse or other equipment that has no elevated play surface, does not need any protective surfacing.

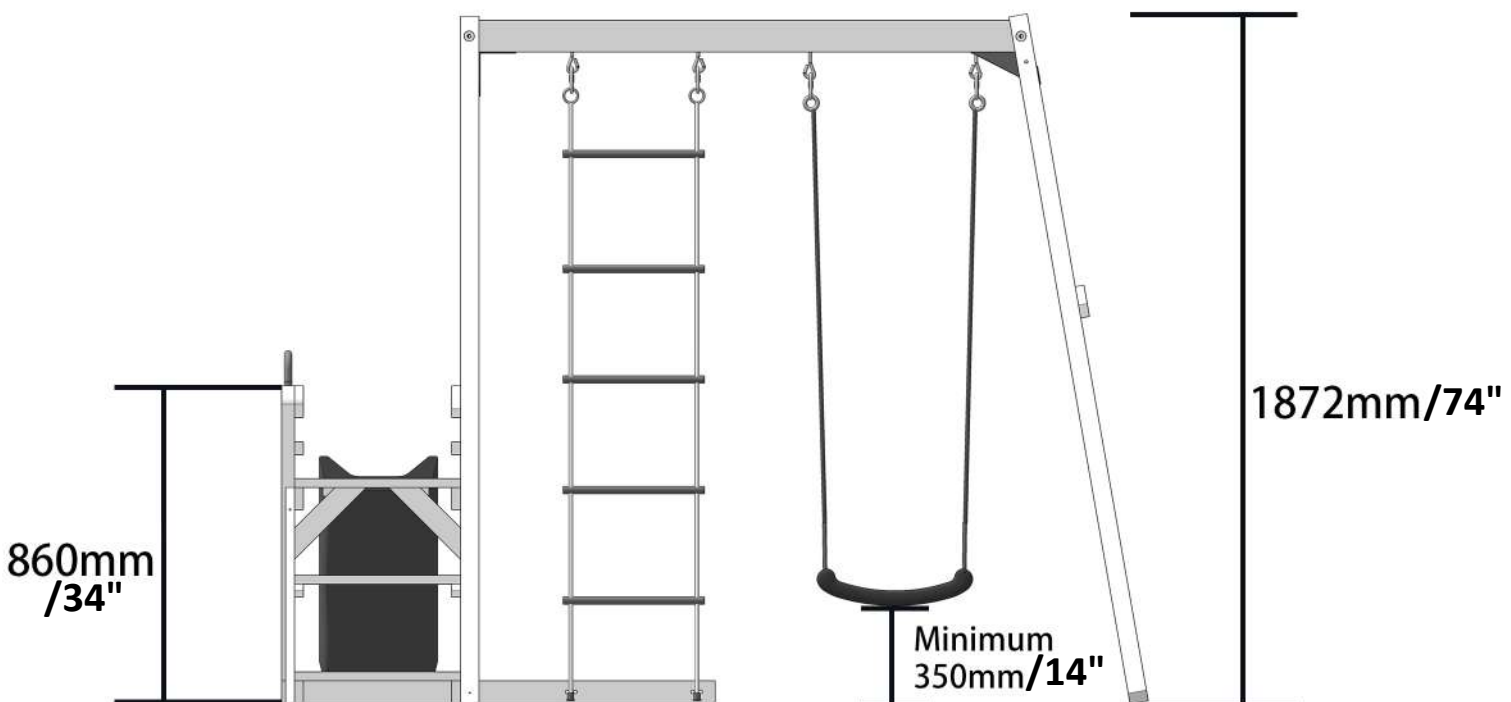
- DO NOT install loose fill surfacing over hard surfaces like concrete or asphalt.
- Shredded bark mulch, wood chips, fine sand and fine gravel are added as shock-absorbing materials after assembly. If used properly, these materials can absorb some of the impact of a child's fall.
- All surface material should extend a minimum of 6 ft. (2m) in all directions around the play area.
- DO NOT apply surfacing materials until after the unit is completely assembled and anchored.

UNIT POSITIONING

- PLEASE REFER TO CRITICAL FALL HEIGHT INFORMATION.
- This unit should be installed on a level surface by an ADULT with an ADULT ASSISTANT. Place the unit on a flat area to minimize ground preparation.
- Choose a level location for this unit to reduce the likelihood of the play set tipping over and loose-fill surfacing material washing away during heavy rains.
- Place this unit no less than 6 feet (2 meters) from any structure or obstruction, such as a fence, garage, house, overhang, branches, laundry lines, or electrical wires.
- Provide enough room so that children may play on this unit safely. For example, for structures with multiple play activities, a slide should not exit in front of a swing.
- Place this unit where adults are easily able to watch children at play.

- Create a play area free of obstacles that could cause injuries - such as low-hanging tree branches, overhead wires, tree stumps or roots, large rocks, bricks, and concrete.
- Do not build this unit on top of surfacing material.
- Locate bare metal platforms and slides out of direct sunlight to reduce the likelihood of serious burns.
TIP: A slide that faces north will receive the least direct sunlight.
- Separate active and quiet activities from each other. For example, place sandboxes away from swings, or use a separation guardrail or barrier.
- For to-fro swings, extend protective surfacing in front of and behind the swing to a distance equal to twice the height of the top of the bar from which the swing is suspended.

VERTICAL HEIGHT



IMPORTANT SAFETY INFORMATION

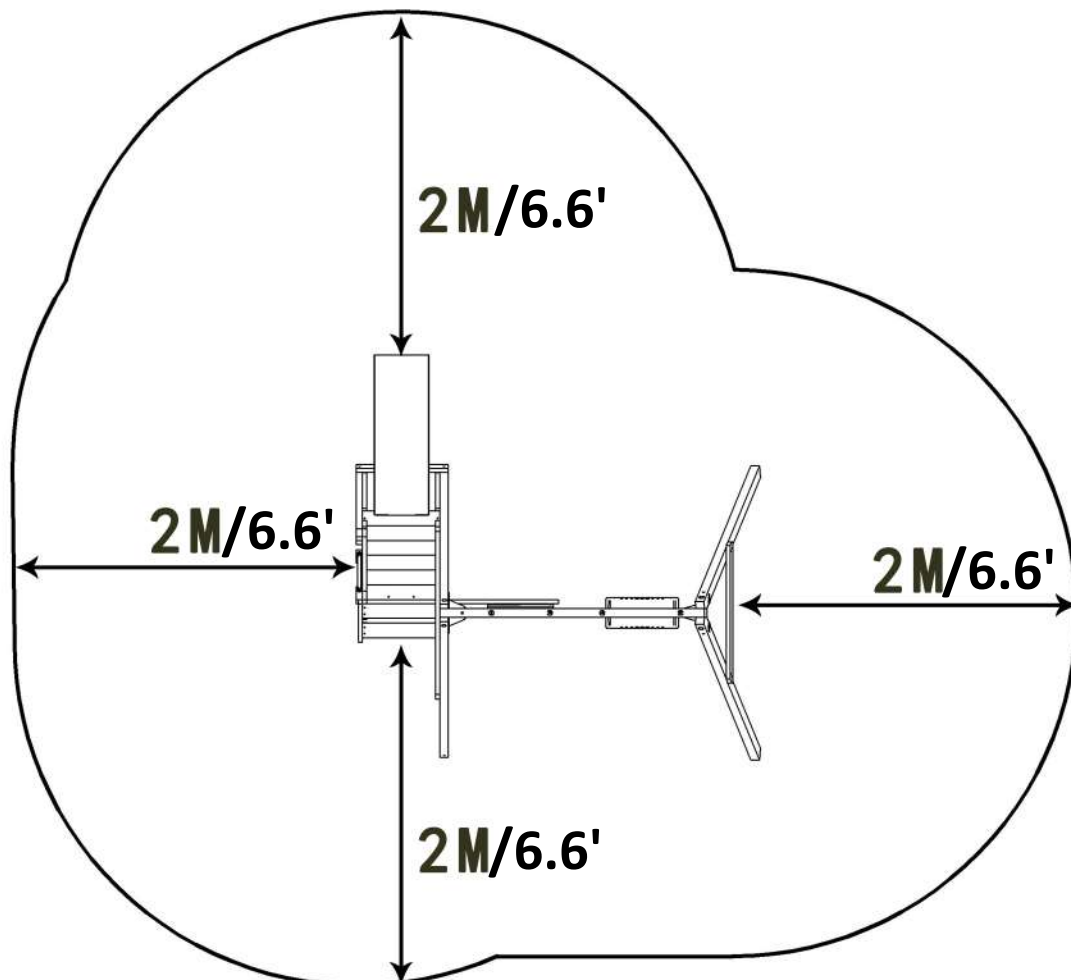
CRITICAL FALL HEIGHT

Maximum critical fall height is 6 feet (2m). The obstacle-free safety zone which requires safety surfacing is a perimeter that extends 6 feet (2 meters) out from the unit and at least 12 feet (3.7 meters) in front and back of to-fro swings.

Material	Uncompressed Depth			Compressed Depth
	6" (152mm)	9" (228mm)	12" (304mm)	
Wood Chips	7' (2.13m)	10' (3.05m)	11' (3.35m)	10' (3.05m)
Double-Shredded Bark Mulch	6' (2m)	10' (3.05m)	11' (3.35m)	7' (2.13m)
Engineered Wood Fibers (EWF)	6' (2m)	7' (2.13m)	> 12' (3.66m)	6' (2m)
Fine Sand	5' (1.52m)	5' (1.52m)	9' (2.74m)	5' (1.52m)
Coarse Sand	5' (1.52m)	5' (1.52m)	6' (2m)	4' (1.22m)
Fine Gravel	5' (1.52m)	7' (2.13m)	10' (3.05m)	6' (2m)
Medium Gravel	5' (1.52m)	5' (1.52m)	6' (2m)	5' (1.52m)
Shredded Tires*	10-12' (3.0-3.6m)	N/A	N/A	N/A

* This data is from tests conducted by independent testing laboratories on a 6-inch depth of uncompressed shredded tire samples produced by four manufacturers. The tests reported critical heights, which varied from 10 feet to greater than 12 feet. It is recommended that persons seeking to install shredded tires as a protective surface request test data from the supplier showing the critical height of the material when it was tested in accordance with ASTM F1292.

SAFETY SURFACING REQUIREMENTS



INFORMATION ON PLAYGROUND SURFACING MATERIALS

The following information is from the United States Consumer Product Safety Commission's Information Sheet for playground surfacing material. Additional information can be found here: <https://www.cpsc.gov/s3fs-public/324.pdf>

SECTION 4 OF THE CONSUMER PRODUCT SAFETY COMMISSION'S OUTDOOR HOME PLAYGROUND SAFETY HANDBOOK⁹

Select Protective Surfacing

One of the most important things you can do to reduce the likelihood of serious head injuries is to install shock-absorbing protective surfacing under and around your play equipment. The protective surfacing should be applied to a depth that is suitable for the equipment height in accordance with ASTM F 1292. There are different types of surfacing to choose from; whichever product you select, follow these guidelines:

NOTE: Do not install home playground equipment over concrete, asphalt, or any other hard surface. A fall onto a hard surface can result in serious injury to the equipment user. Grass and dirt are not considered protective surfacing because wear and environmental factors can reduce their shock absorbing effectiveness. Carpeting and thin mats are generally not adequate protective surfacing. Ground level equipment such as a sandbox, activity wall, playhouse or other equipment that has no elevated play surface – does not need any protective surfacing.

Loose-Fill Materials:

- Maintain a minimum depth of 9 inches of loose-fill materials such as wood mulch/chips, engineered wood fiber (EWF), or shredded/recycled rubber mulch for equipment up to 8 feet high; and 9 inches of sand or pea gravel for equipment up to 5 feet high. **NOTE:** An initial fill level of 12 inches will compress to about a 9-inch depth of surfacing overtime. The surfacing will also compact, displace, and settle, and should be periodically refilled to maintain at least a 9-inch depth.
- Use a minimum of 6 inches of protective surfacing for play equipment less than 4 feet in height. If maintained properly, this should be adequate. (At depths less than 6 inches, the protective material is too easily displaced or compacted.)
- Use containment, such as digging out around the perimeter and/or lining the perimeter with landscape edging. Don't forget to account for water drainage.
- Check and maintain the depth of the loose-fill surfacing material. To maintain the right amount of loose-fill materials, mark the correct level on play equipment support posts. That way you can easily see when to replenish and/or redistribute the surfacing.
- **Do not** install loose-fill surfacing over hard surfaces such as concrete or asphalt.

Poured-In-Place Surfaces or Pre-Manufactured Rubber Tiles

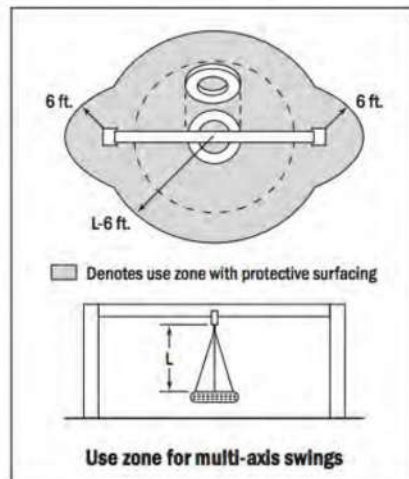
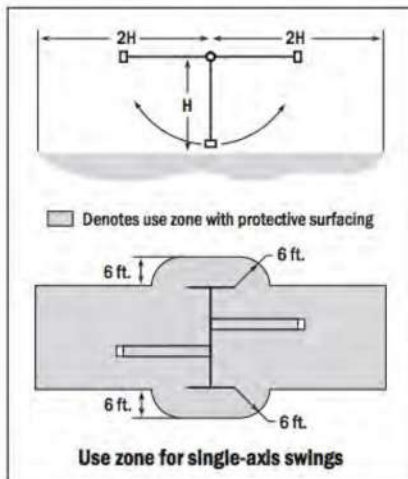
You may be interested in using surfacing other than loose-fill materials – like rubber tiles or poured-in-place surfaces.

- Installations of these surfaces generally require a professional and are not “do-it-yourself” projects.
- Review surface specification before purchasing this type of surfacing. Ask the installer/manufacturer for a report showing that the product has been tested to the following safety standard: ASTM F 1292 *Standard Specification for Impact Attenuation of Surfacing Materials within the Use Zone of Playground Equipment*. This report should show the specific height for which the surface is intended to protect against serious head injury. This height should be equal to or greater than the *fall height* – vertical distance between a designated play surface (*elevated surface for standing, sitting, or climbing*) and the protective surfacing below – of your play equipment.
- Check the protective surfacing frequently for wear.

Placement:

Proper placement and maintenance of protective surfacing is essential. Be sure to:

- Extend surfacing at least 6 feet from the equipment in all directions.
- For to-fro swings, extend protective surfacing in front of and behind the swing to a distance equal to twice the height of the top bar from which the swing is suspended.
- For tire swings, extend surfacing in a circle whose radius is equal to the height of the suspending chain or rope, plus 6 feet in all directions.



⁹This information has been extracted from the CPSC publications “Playground Surfacing — Technical Information Guide” and “Handbook for Public Playground Safety.” Copies of these reports can be obtained by sending a postcard to the: Office of Public Affairs, U.S. Consumer Product Safety Commission, Washington, D.C., 20207 or call the toll-free hotline: 1-800-638-2772.

The American Society for Testing and Materials takes no position respecting the validity of any parent right asserted in connection with any item mentioned in this standard. Users of this standard are expressly advised that determination of the validity of any such parent rights, and the risk of infringement of such rights, are entirely their own responsibility.

The standard is subject to revision at any time by the responsible technical committee and must be reviewed every five years and if not revised, either approved or withdrawn. Your comments are invited either for revision of this standard or for additional standards and should be addressed to ASTM Headquarters. Your comments will receive careful consideration at a meeting of the responsible technical committee, which you may attend. If you feel that your comments have not received a fair hearing you should make your views known to the ASTM Committee on Standards, 100 Barr Harbor Drive, West Conshohocken, PA 19428.

IMPORTANT SAFETY INFORMATION

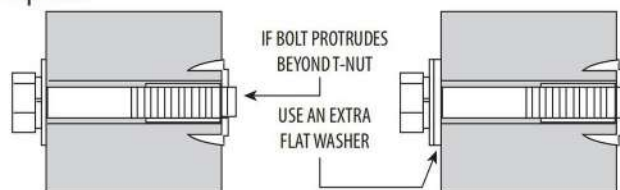
ONLY REPLACE DAMAGED OR DEFECTIVE PRODUCT PARTS ACCORDING TO THE MANUFACTURER'S INSTRUCTIONS.

If these checks are not carried out, the activity toy could overturn or become hazard.

MAINTENANCE

At the beginning of each play season:

- Tighten all hardware, but do not over-tighten to prevent splintering.
- Lubricate all metallic moving parts per manufacturer's instructions.
- Check that swing hanger bolts are secure and tight. Quick clips should be completely closed and threaded clips screwed tight. Ropes should be secure at both ends so they cannot loop back and create an entrapment.
- Check all protective coverings on bolts, pipes, edges and corners. Replace if they are loose, cracked or missing.
- Check for sharp edges or protruding screw threads. Add washers if required.



- Check ground stakes for looseness, damage or deterioration. Firmly anchor unit to the ground during use. Re-secure or replace if necessary.
- Check all moving parts including swing seats, ropes, cables, and chains for wear, rust or other deterioration. Replace as needed.
- Check metal parts for rust. If found, sand and repaint using a non-lead based paint which complies with 16 CFR 1303.
- Check all wood pieces for deterioration and splinters. Sand down splinters and replace deteriorating wood.
- Reinstall any plastic parts, such as swing seats or any other items that were removed for the cold season.
- Rake and check depth of loose fill protective surfacing materials to prevent compaction and to maintain appropriate depth. Replace as necessary.

At the end of each play season:

* Or when the temperature falls below 32° F

- Remove plastic swing seats and other items as specified by the manufacturer and take indoors. Plastic components may become more brittle in cold conditions.
- Rake and check depth of loose fill protective surfacing materials to prevent compaction and to maintain appropriate depth. Replace as necessary.

Owners MUST maintain the legibility of the warning labels.

THIRD PARTY ASSEMBLY

Should you elect to use a third party person or service to assemble this product, the manufacturer assumes no responsibility or liability for any charge incurred for any assembly services. Please see our warranty for more information about damaged and missing part replacement coverage. We will not reimburse the customer for the price of parts purchased.

WOOD WEATHERING

Although the manufacturer has taken great care in selecting premium lumber, wood is a product of nature and is susceptible to weathering. As the climate changes, moisture moves in and out of the wood, causing tension which can result in checking and warping.

- Checking: Surface cracks in the wood along the grain.
- Warping: Distortion from the original plane of the board. This usually happens from wetting and drying of the wood.
- Fading: A natural change in the wood color as it is exposed to sunlight. Wood may turn gray over time.

The factory-applied coating will decrease over time due to water absorption and sunlight. Apply a water repellent or stain on a yearly basis. Most weathering is a normal result of nature and will not affect safe and enjoyable play on this unit. If you have any concerns about weathering, contact consumer service.

Twice a month during play season:

- Tighten all hardware, but do not over-tighten to prevent splintering.
- Check all protective coverings on bolts, pipes, edges and corners. Replace if they are loose, cracked or missing.
- Check for sharp edges or protruding screw threads. Add washers if required.
- Rake and check depth of loose fill protective surfacing materials to prevent compaction and to maintain appropriate depth. Replace as necessary.

Once a month during play season

- Check all moving parts including swing seats, ropes, cables, and chains for wear, rust or other deterioration. Replace as needed.
- Lubricate all metallic moving parts per manufacturer's instructions.

Additional Maintenance:

- Check the swing beam and hardware every two weeks due to wood expansion and contraction. It is particularly important that this procedure be followed at the beginning of each season.
- Inspect wood parts monthly. The grain of the wood sometimes will lift in the dry season causing splinters to appear. Light sanding may be necessary to maintain a safe play environment. Treat your unit with stain regularly to help prevent severe splitting and other damage.
- A waterborne transparent stain has been applied to your unit. This is done for color only. Once or twice a year, depending on your climate conditions, you must apply some protection (sealant) on your unit. Prior to the application of the sealant, lightly sand any rough spots on your unit. **Please note this is a requirement of your warranty.**
- Assembling and maintaining the unit on a level surface is very important. As your children play, your unit will slowly dig its way into the soil, and it is very important that it settles evenly. Make sure the unit is level once each year or at the beginning of each play season.


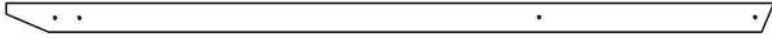
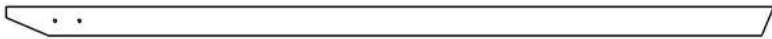



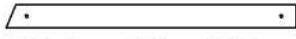



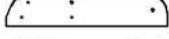





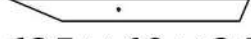
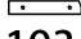


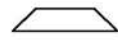
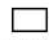
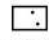
DISPOSAL



Once you no longer desire to play with or keep the unit, it should be disassembled and disposed of in such a way that no unreasonable hazards exist at the time the unit is discarded. Follow local waste ordinances.

Board list

(Unit:mm)

- B1=1 
1554 × 86 × 50
- C1=1  (with 2 more holes)
2023 × 76 × 50
- C2=1 
2023 × 76 × 50
- C3=2 
2023 × 76 × 50
- C4=2 
860 × 76 × 35
- C5=1 
957 × 76 × 35
- F1=2 
764 × 60 × 24
- F2=1 
535 × 60 × 24
- F3=2 
531 × 60 × 24
- F4=1 
1002 × 86 × 24
- F5=1 
425 × 86 × 24
- F6A=1  (with 2 more holes)
450 × 86 × 24
- F6=5 
450 × 86 × 24
- F7=1 
820 × 86 × 24
- F8=2 
460 × 35 × 24
- F9=1 
1175 × 60 × 24
- F10=2 
635 × 60 × 24
- F11=2 
193 × 35 × 24
- F12=2 
450 × 86 × 24
- K1=2 
86 × 76 × 35
- K27=2 
275 × 60 × 35
- T1=2 
89 × 60 × 24
- T2=2  (with 2 more holes)
89 × 60 × 24

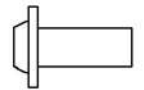
Parts list



BM615
(4) B-NUT 6X15mm



BM818
(8) B-NUT 8X18mm



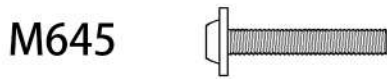
BM825
(1) B-NUT 8X25mm



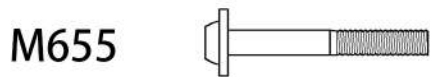
N610
(4) NUT 6X10mm



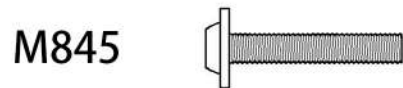
N815
(16) NUT 8X15mm



M645
(2) BOLT φ 6mm-45mm



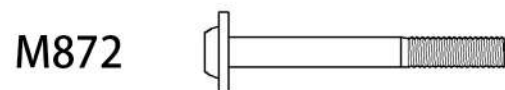
M655
(2) BOLT φ 6mm-55mm



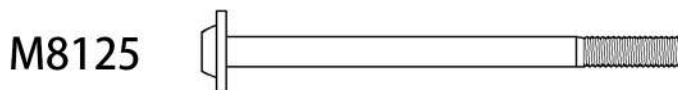
M845
(4) BOLT φ 8mm-45mm



M855
(10) BOLT φ 8mm-55mm



M872
(5) BOLT φ 8mm-72mm



M8125
(2) BOLT φ 8mm-125mm



SW16
(1) SCREW φ 4-16mm



SW40
(4) SCREW φ 4-40mm



SW45
(20) SCREW φ 4-45mm



SW50
(25) SCREW φ 4-50mm



SW60
(2) WH4mm-SCREW60mm



M6SW35
(7) SCREW φ 6-35mm



M6SW55
(7) SCREW φ 6-55mm

Parts list

AN8 
(4)A-NUT8mm

W10/18 
(22)Washer

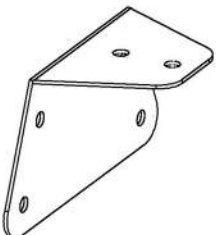
W12/28 
(4)Washer


(4)SWING HANGER


(2)HAND GRIP

(1)6mm STAR BIT, 8mm STAR BIT,
6mm ALLEN WRENCH, 8mm ALLEN WRENCH


(2)U—Bolt(M)


(1)L-Shaped Metal Bracket


(1)V-Shaped Metal Bracket

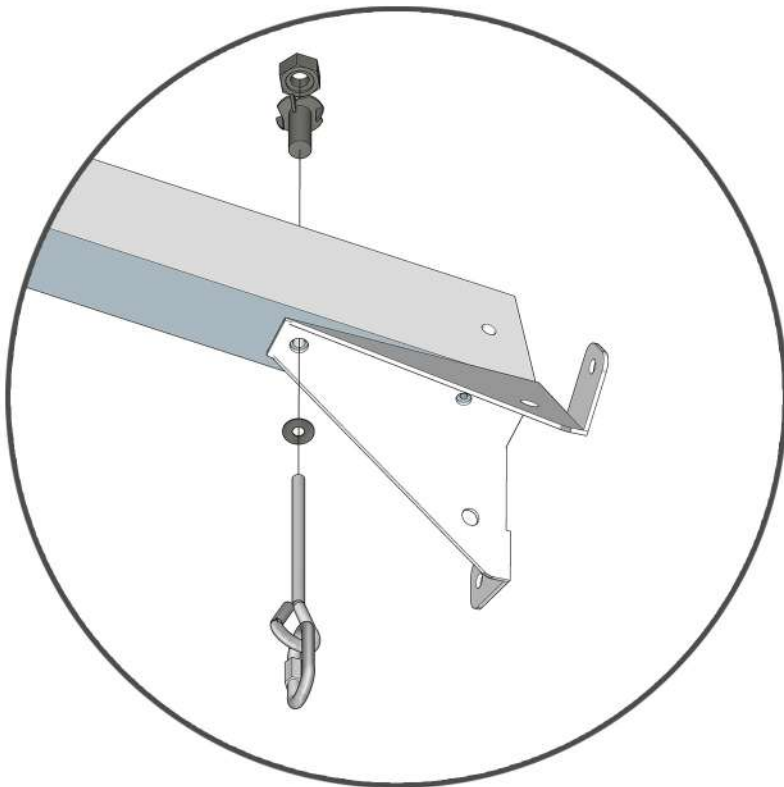
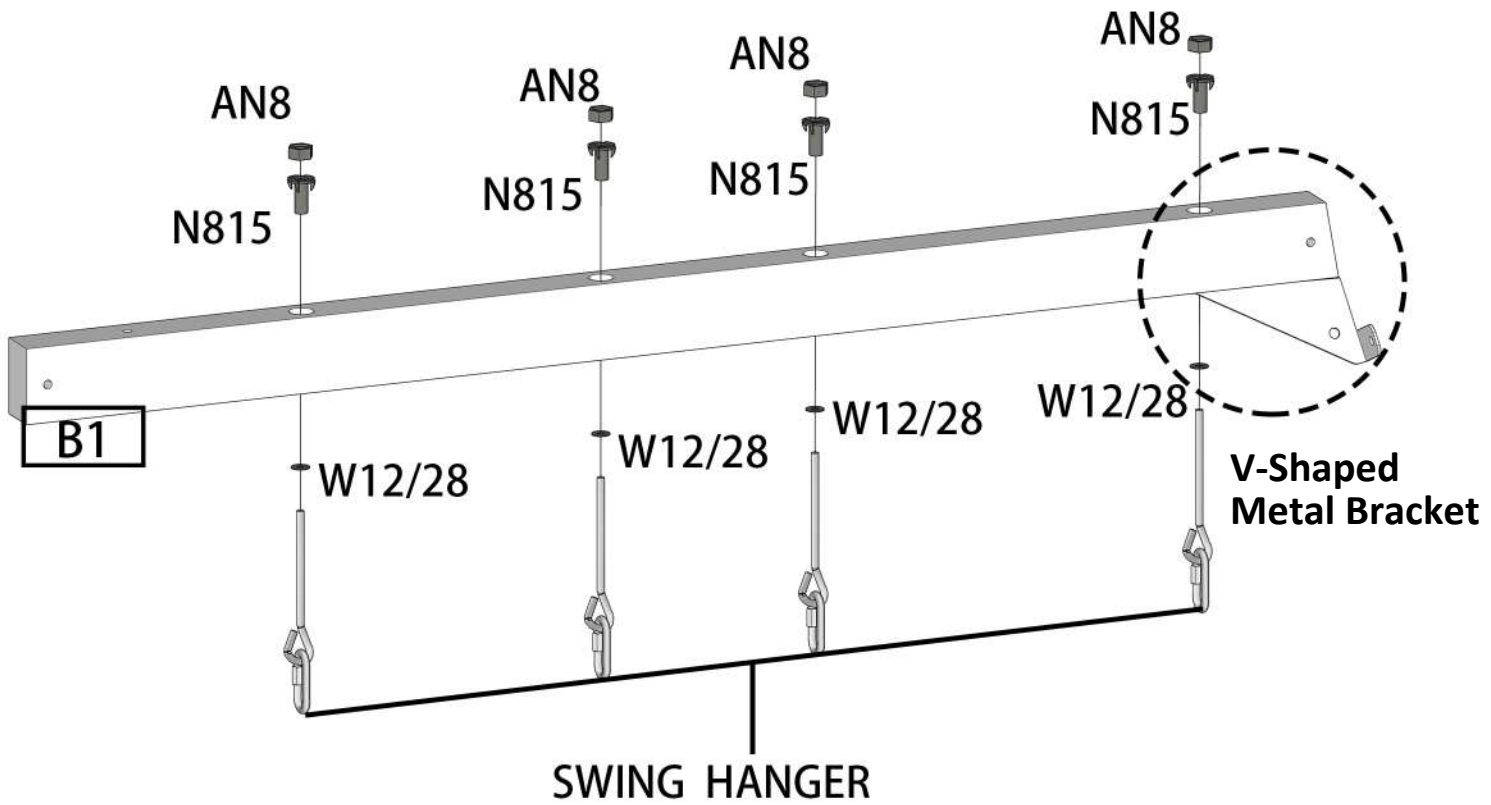
(1)SWING SET

(6)ANCHORS

(1)Rope Ladder

(1)PLASTIC SLIDE

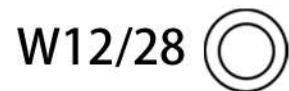
Step 1



(4) SWING HANGER(M)



(4) A-NUT 8mm

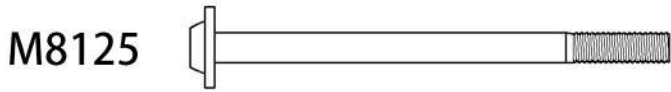
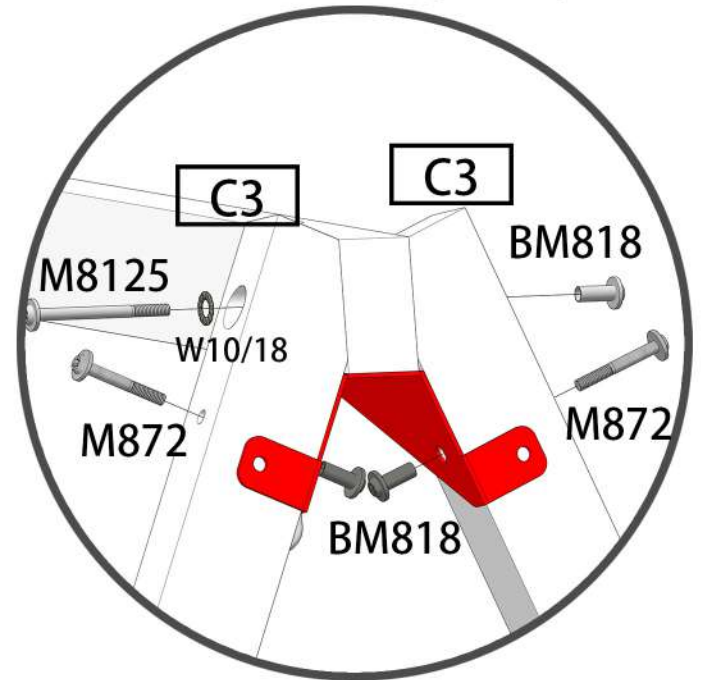
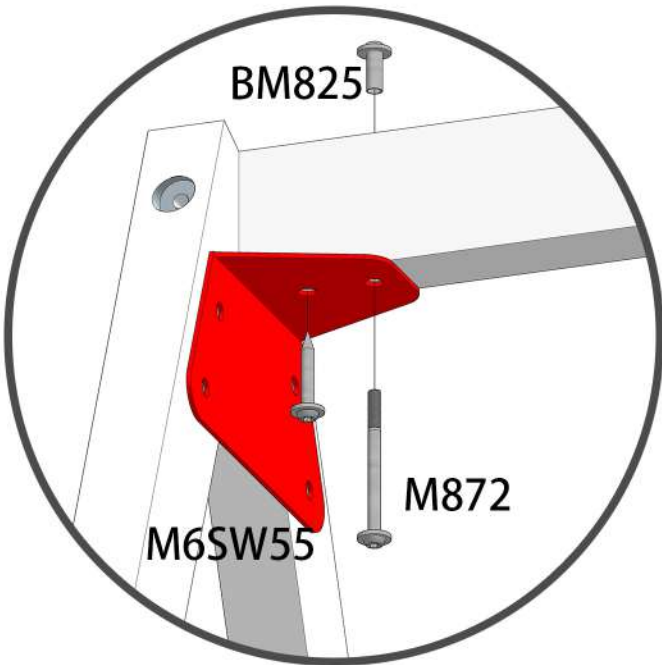
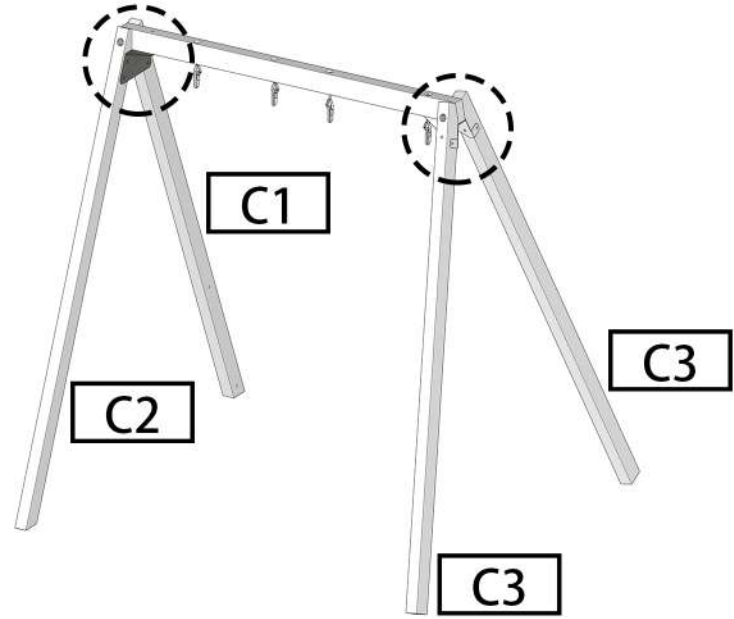
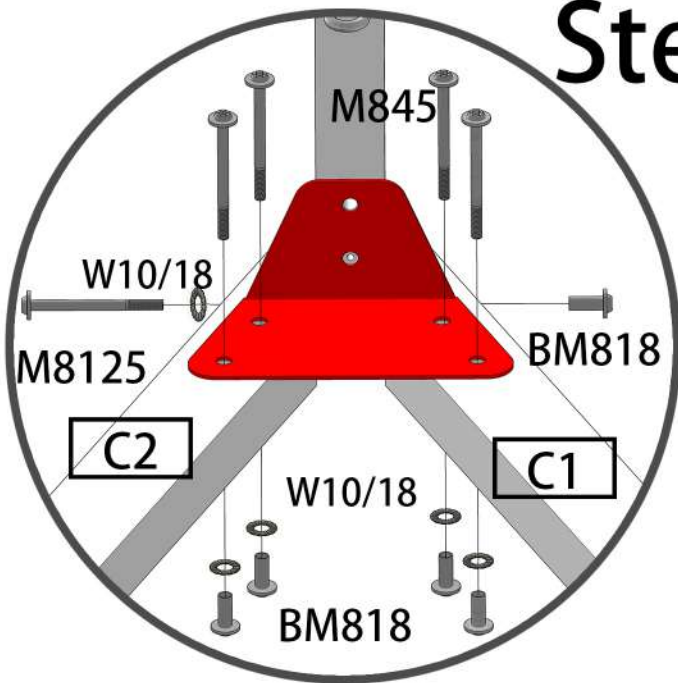


(4) WASHER

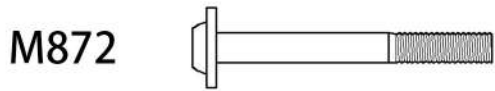


(4) NUT 8X15mm

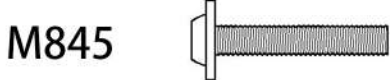
Step 2



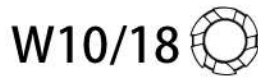
(2) BOLT ϕ 8mm-125mm



(3) BOLT ϕ 8mm-72mm



(4) BOLT ϕ 8mm-45mm



(6) Washer



(8) B-NUT 8X18mm



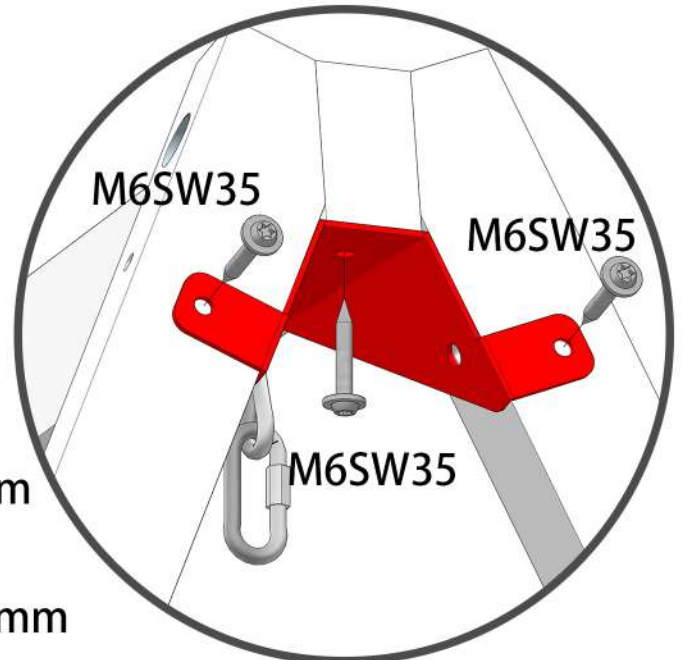
(1) B-NUT 8X25mm



(1) SCREW ϕ 6-55mm



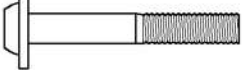
(3) SCREW ϕ 6-35mm



Step3

M872 

(2) BOLT ϕ 8mm-72mm

M855 

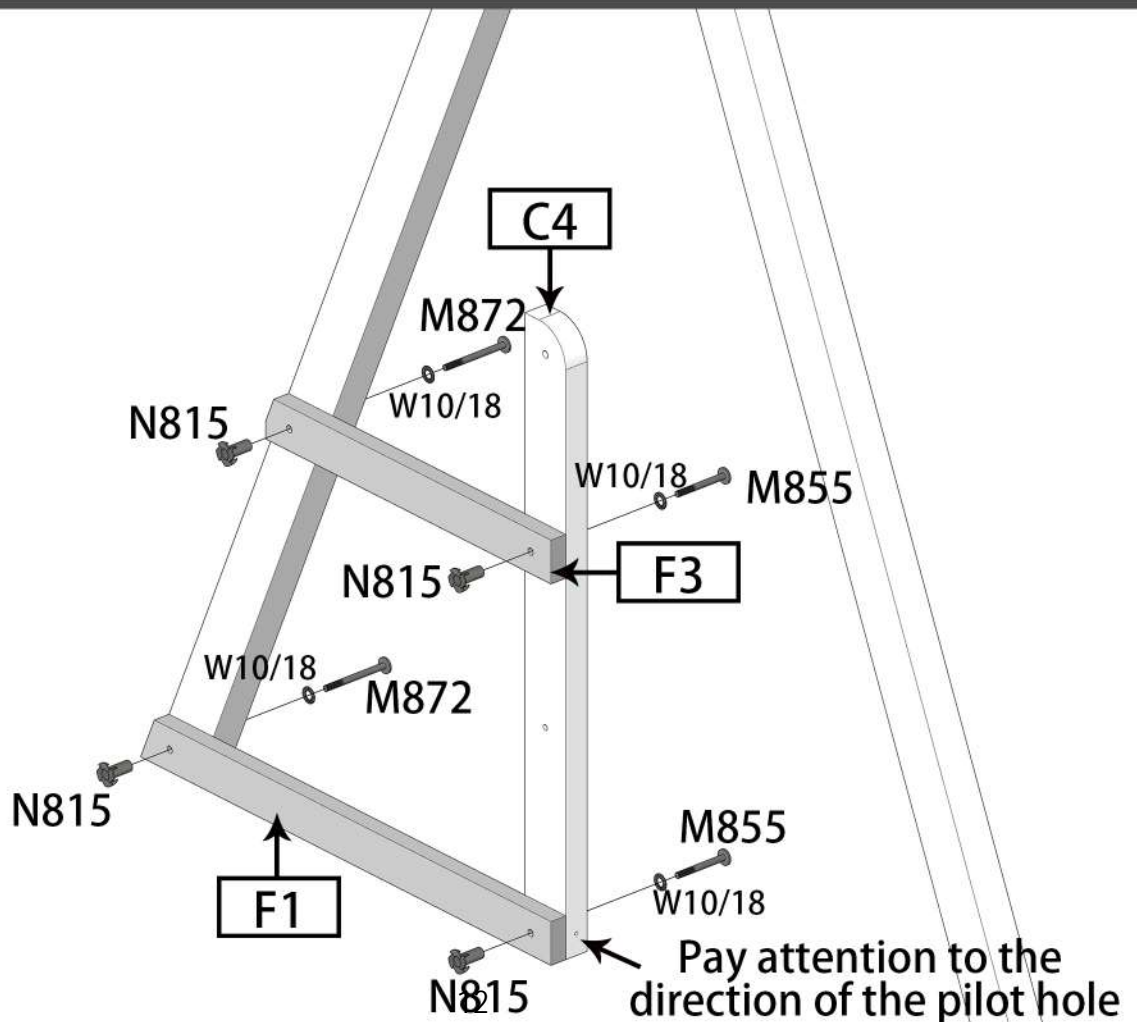
(2) BOLT ϕ 8mm-55mm

N815 

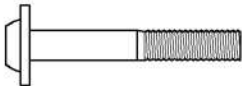
(4) NUT 8X15mm

W10/18 

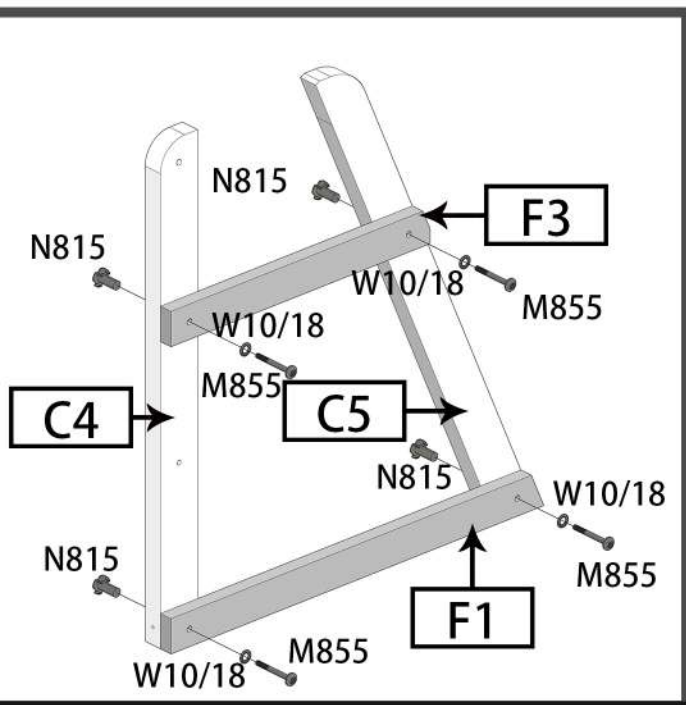
(4)Washer



Step4

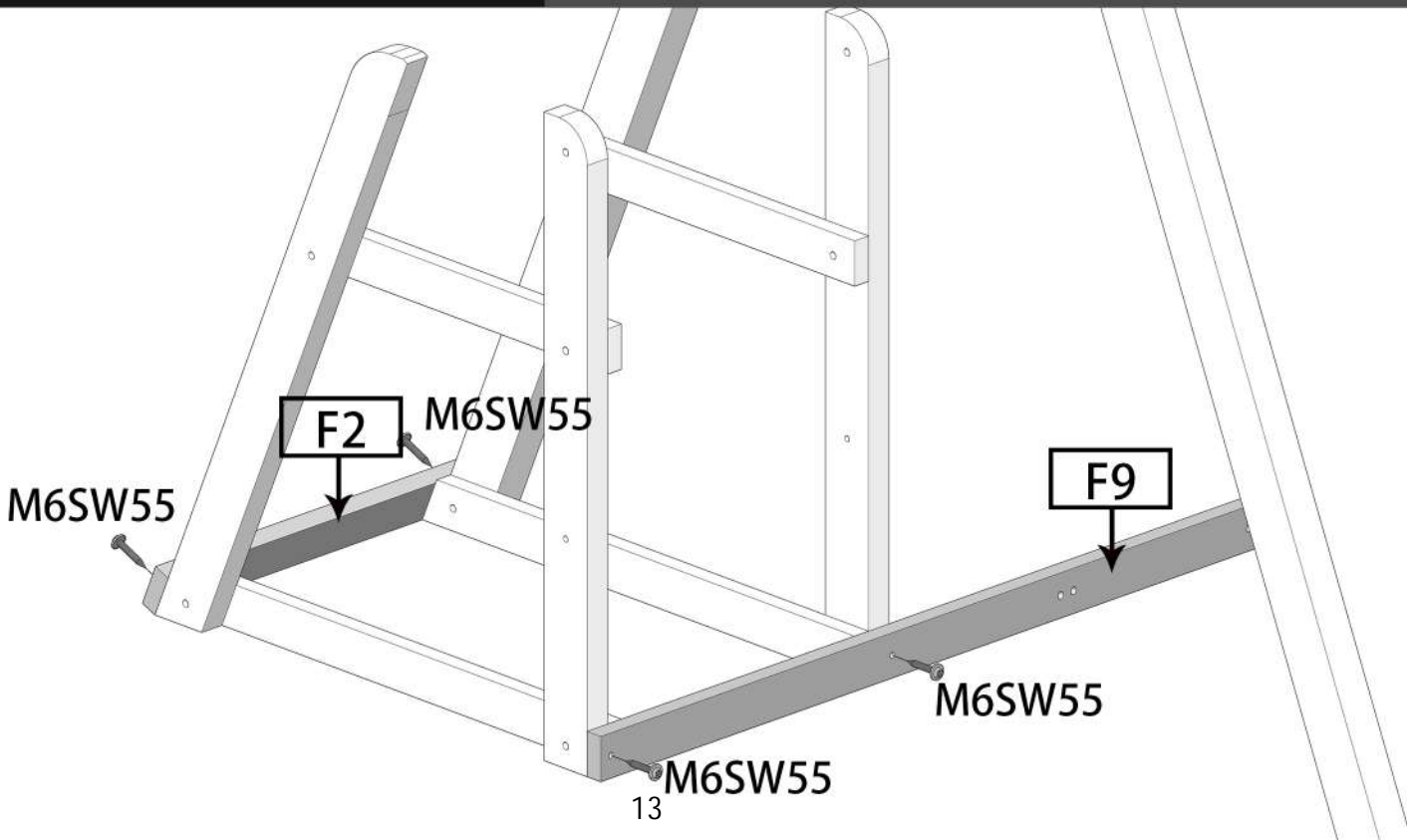
M855 
(4) BOLT ϕ 8mm-55mm

N815 
(4) NUT 8X15mm

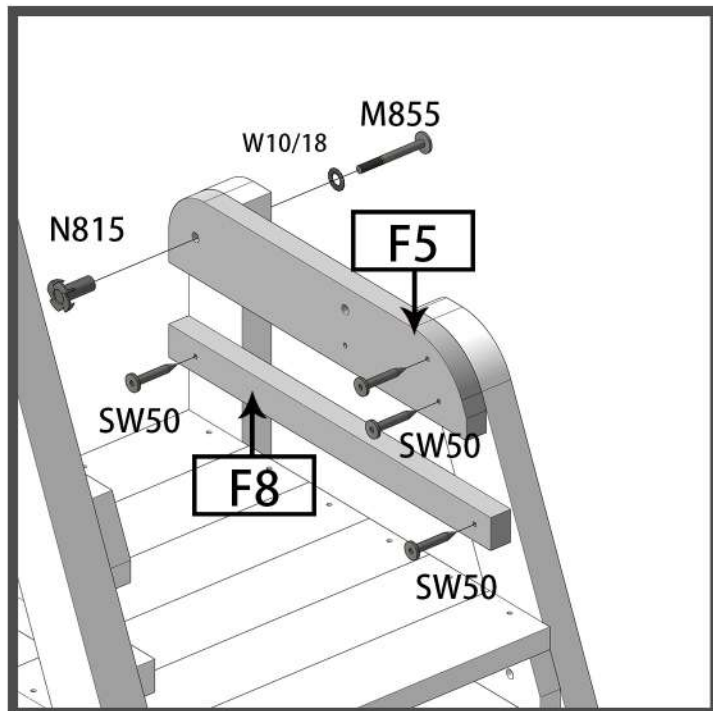
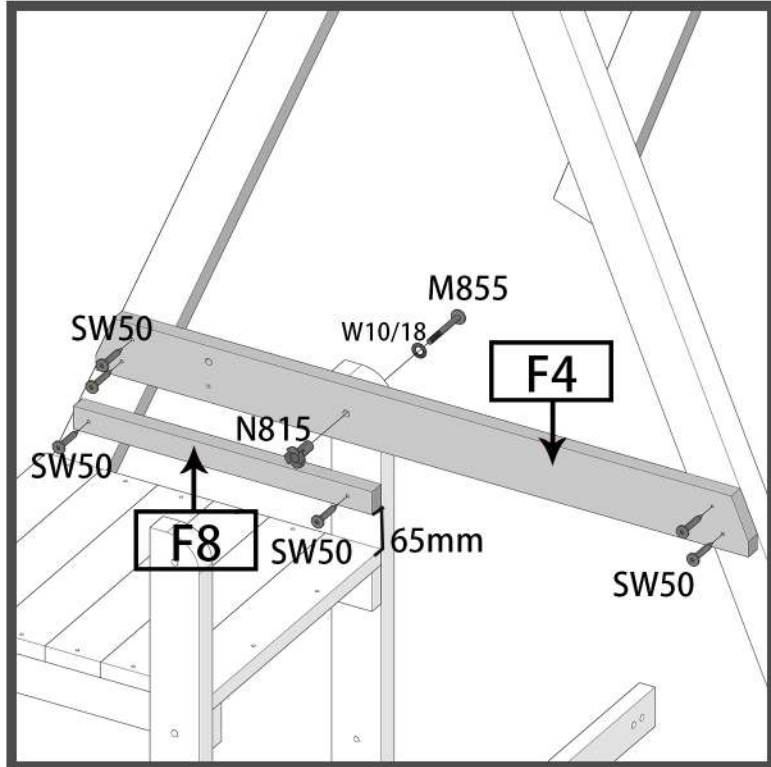
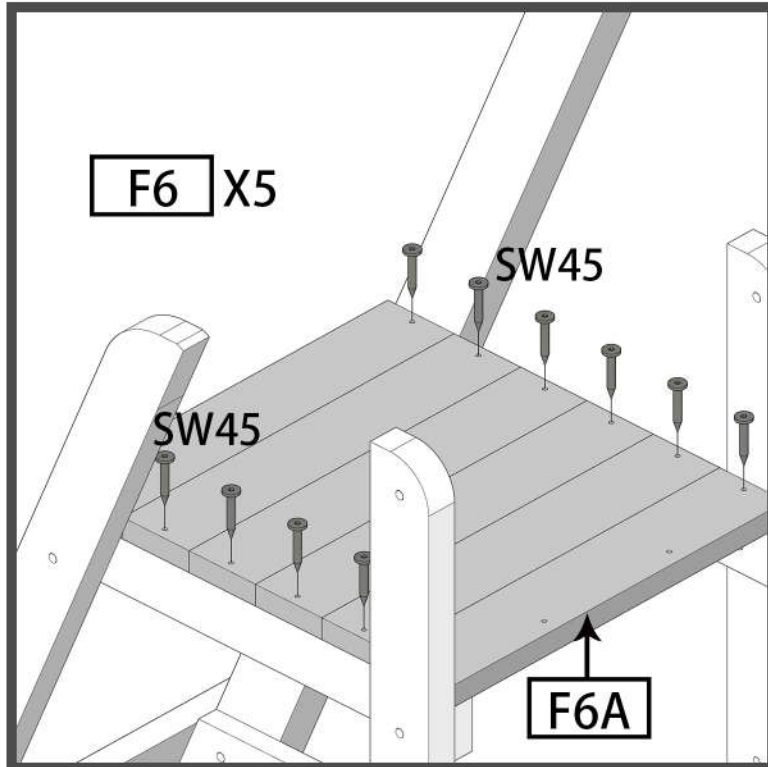


W10/18 
(4)Washer

M6SW55 
(4) SCREW ϕ 6-55mm

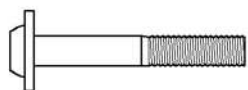


Step5



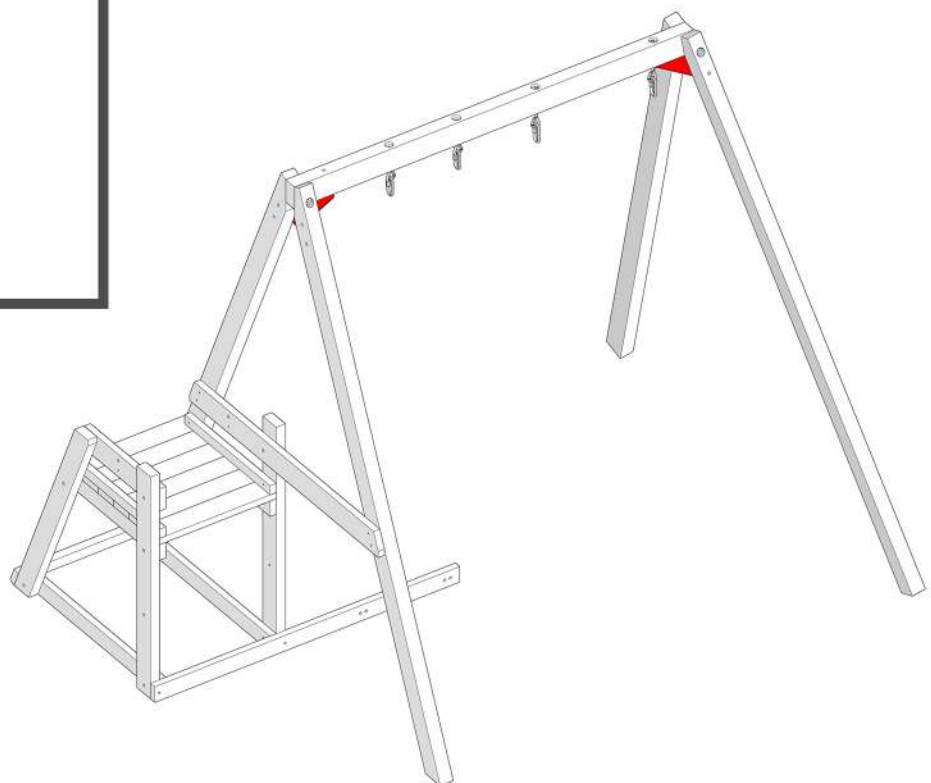
SW45 
 (12) SCREW ϕ 4-45mm

SW50 
 (10) SCREW ϕ 4-50mm

M855 
 (2) BOLT ϕ 8mm-55mm

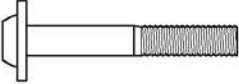
N815 
 (2) NUT 8X15mm

W10/18 
 (2) Washer



Step6

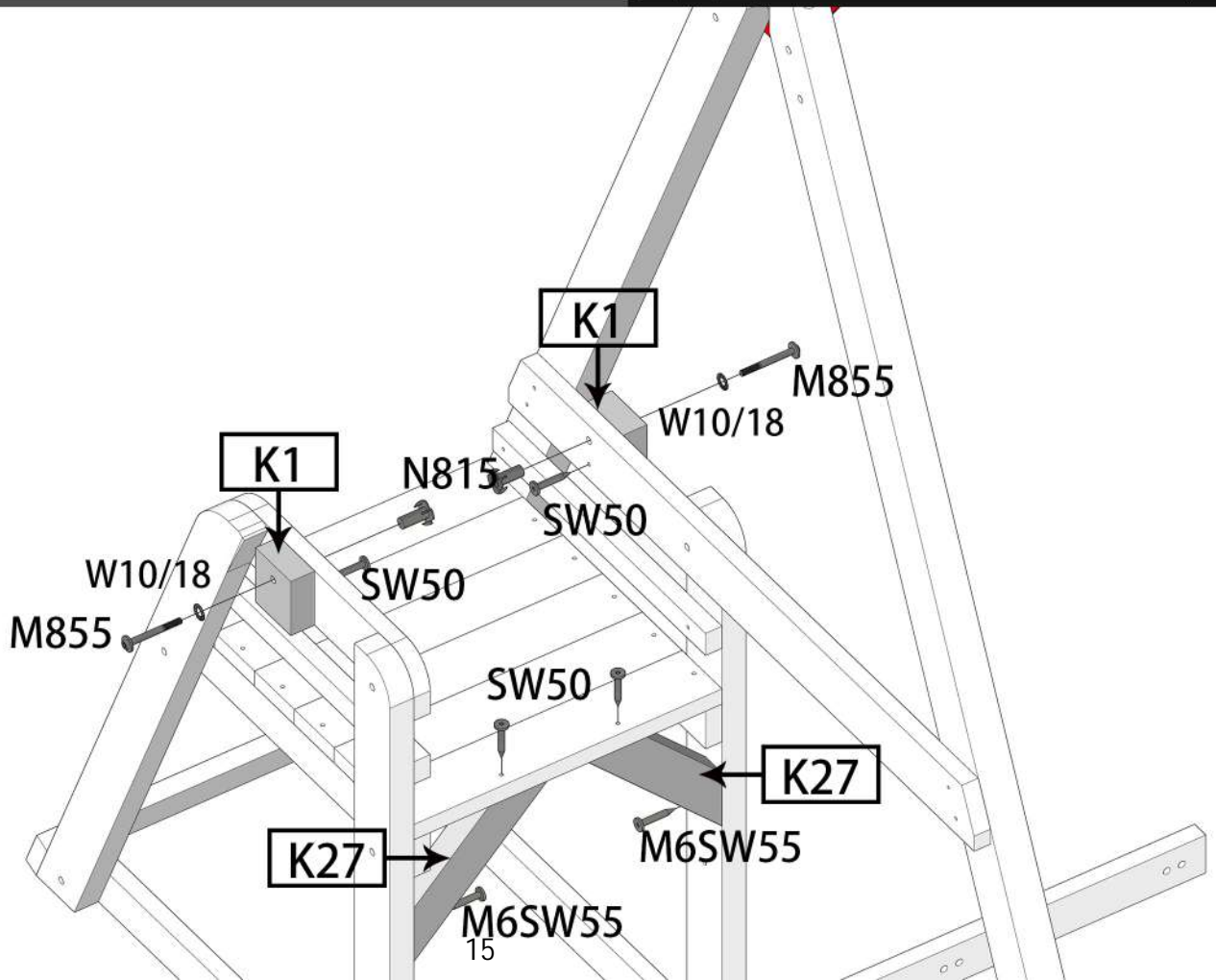
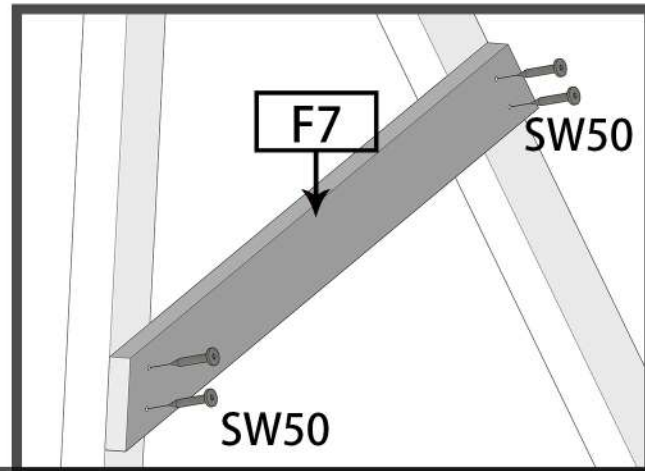
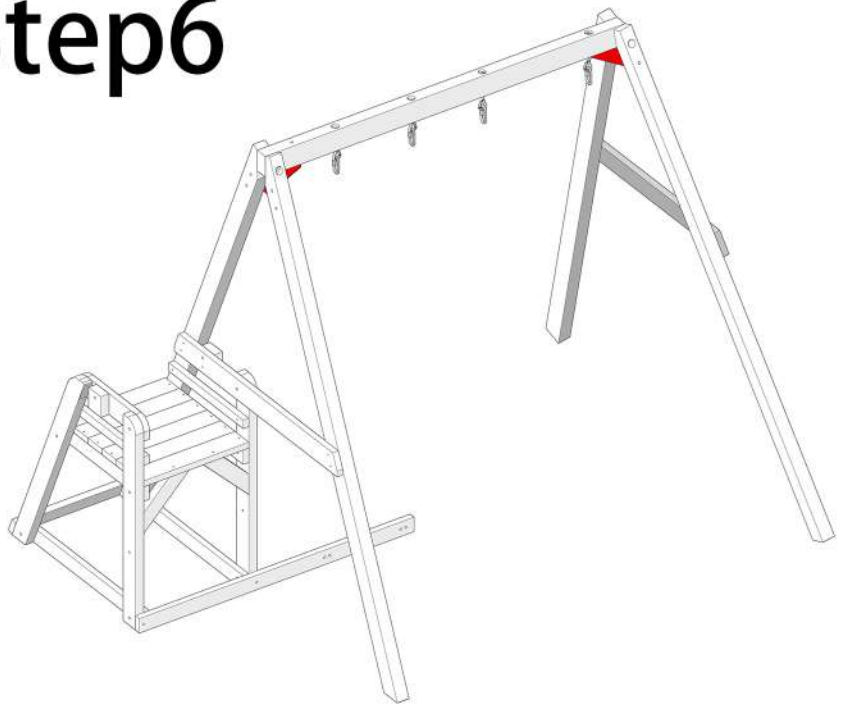
SW50 
(8) SCREW ϕ 4-50mm

M855 
(2) BOLT ϕ 8mm-55mm

N815 
(2) NUT 8X15mm

W10/18 
(2)Washer

M6SW55 
(2) SCREW ϕ 6-55mm



Step 7

N610



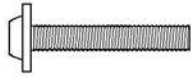
(4) NUT 6X10mm

W10/18



(4) Washer

M645



(2) BOLT ϕ 6mm-45mm

SW40



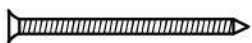
(4) SCREW ϕ 4-40mm

SW45



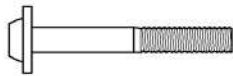
(8) SCREW ϕ 4-45mm

SW60

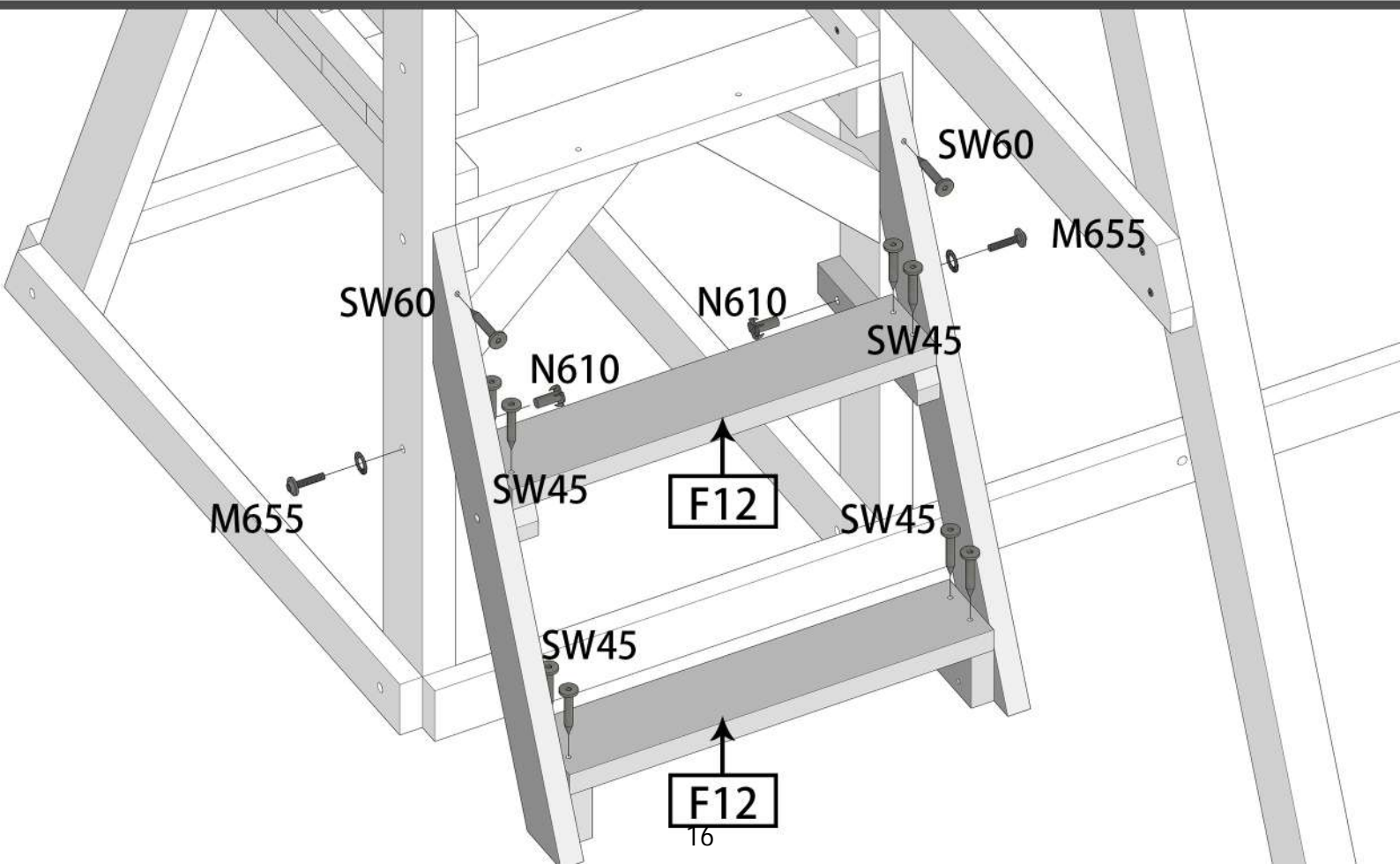
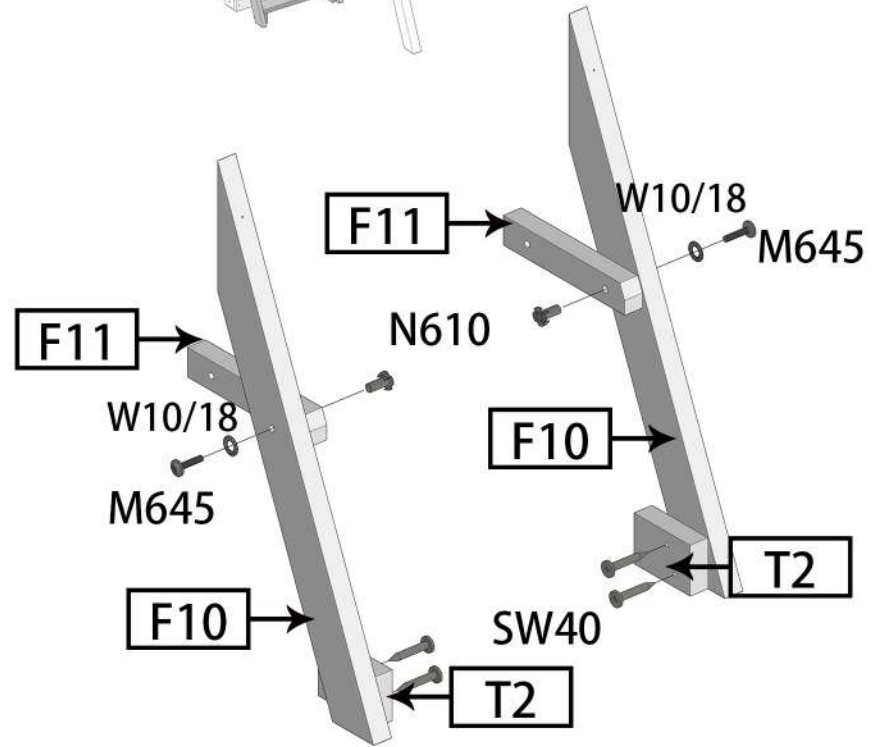


(2) WH4mm-SCREW60mm

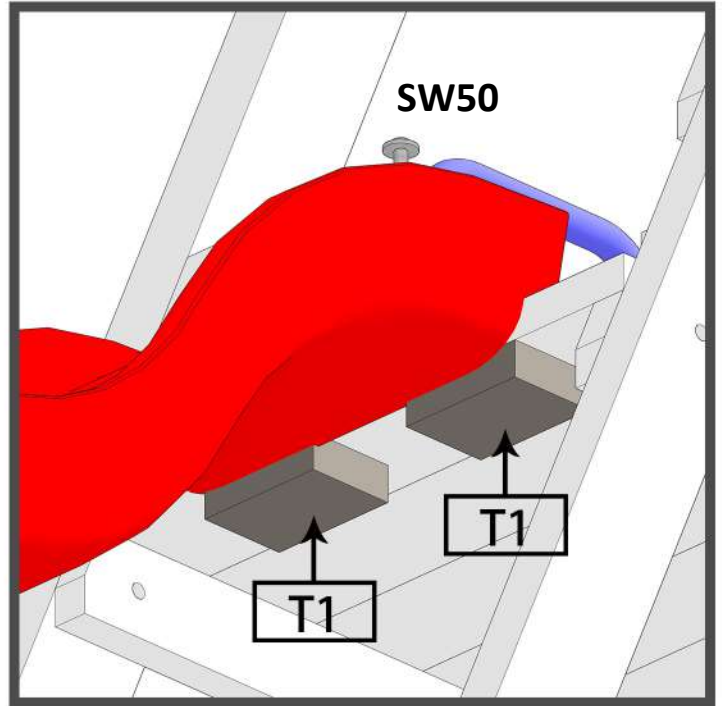
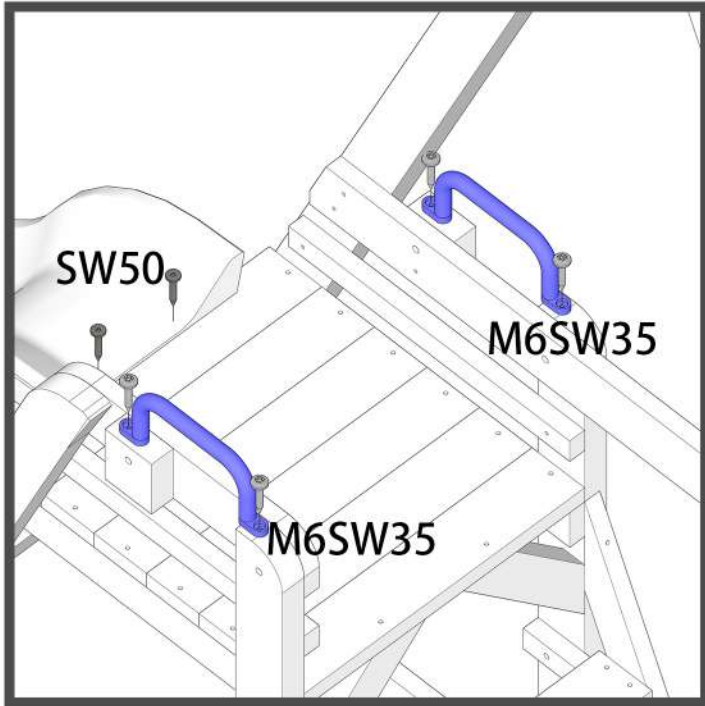
M655



(2) BOLT ϕ 6mm-55mm

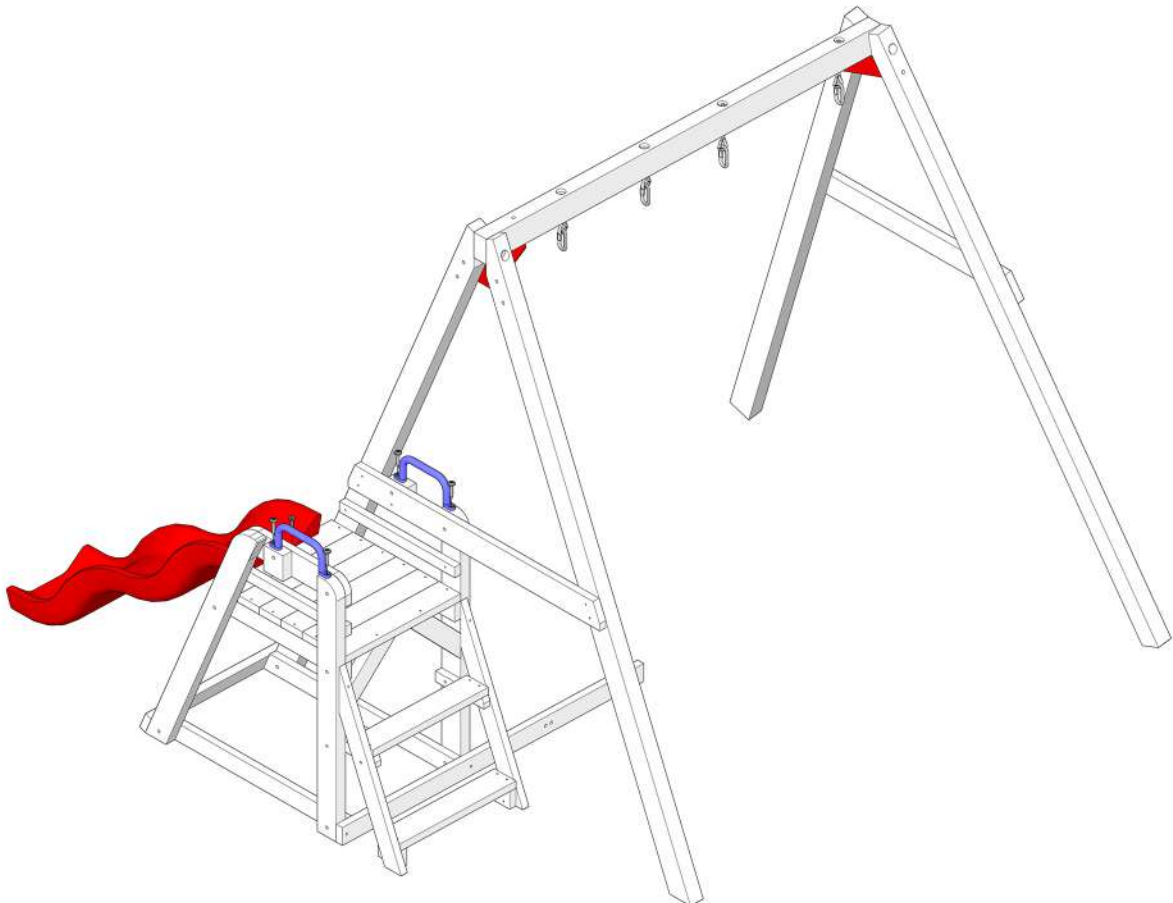


Step 8

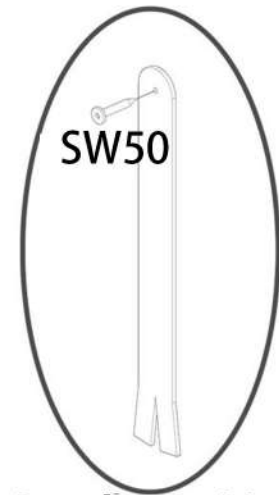
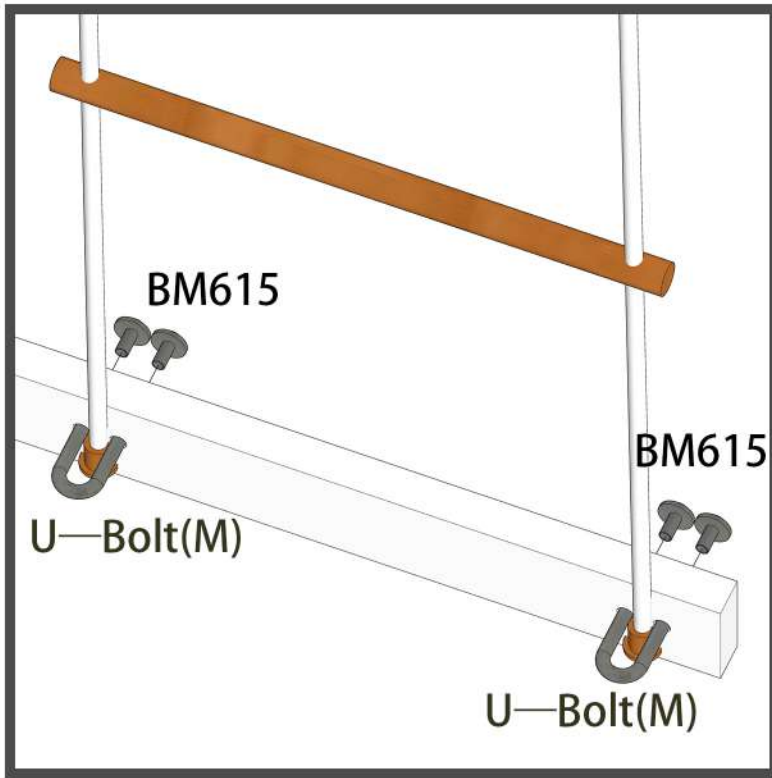


M6SW35 
(4) SCREW \varnothing 6-35mm

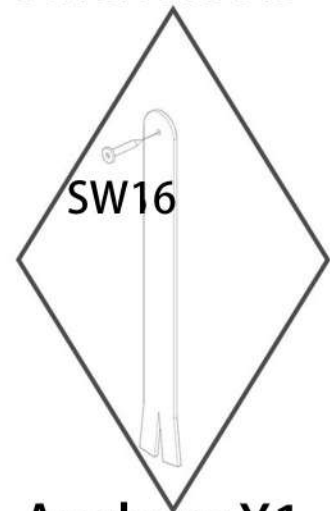
SW50 
(2) SCREW \varnothing 4-50mm



Step 9



SW50
Anchors X5



SW16
Anchors X1



(2) U-Bolt(M)

BM615

(4) B-NUT 6X15mm

SW50
(5) SCREW \varnothing 4-50mm

SW16
(1) SCREW \varnothing 4-16mm

