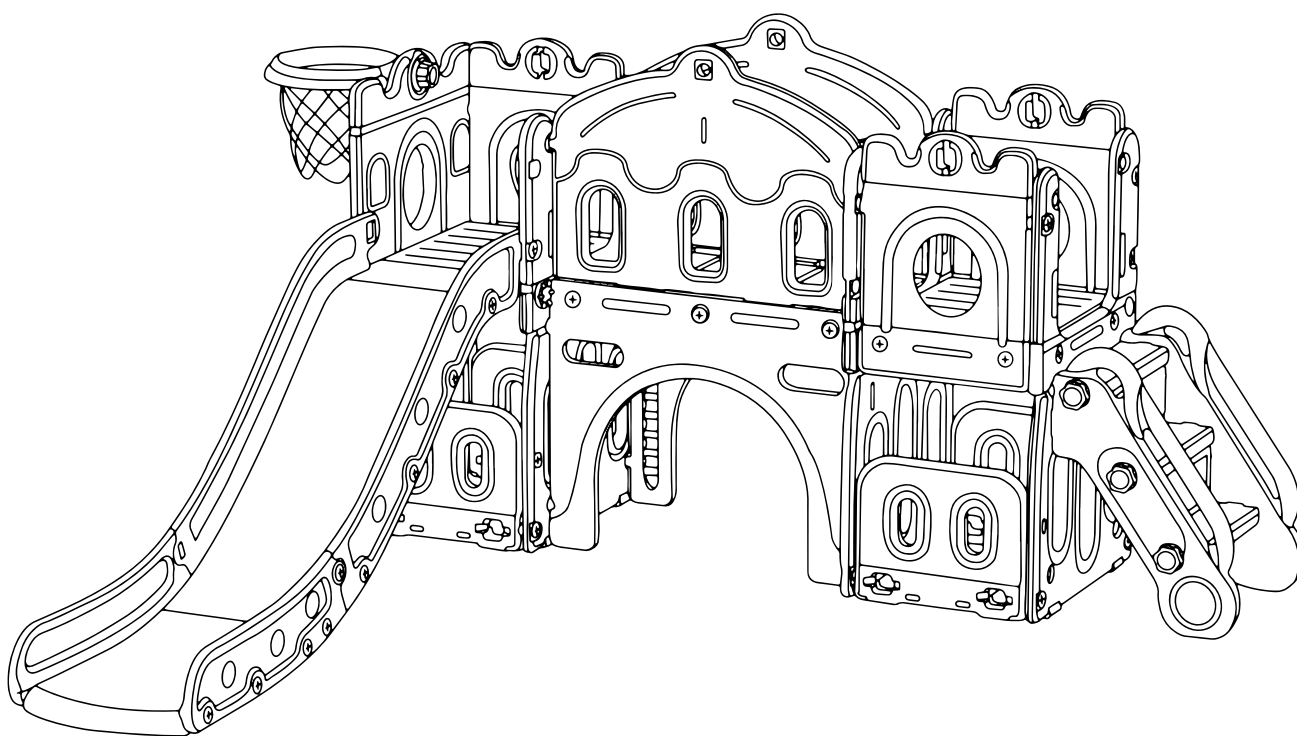


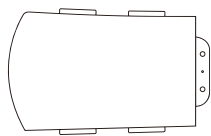
Multiplay Tower & Slide

USER MANUAL

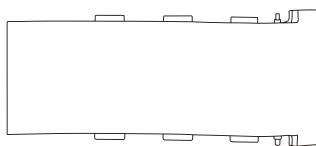


READ AND SAVE THIS INSTRUCTION FOR FUTURE USE

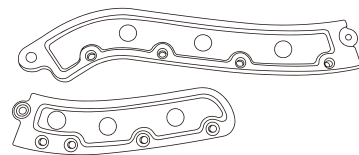
PART LIST



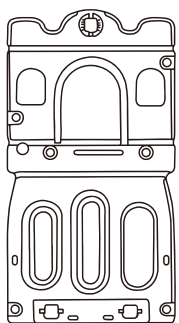
Buffer Board * 1



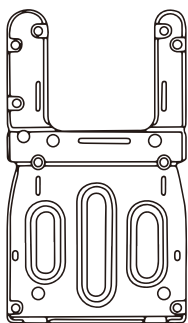
Slide * 1



Slide Handrail * 2



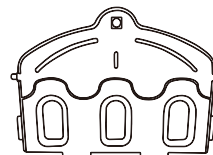
Large Side Panel * 1



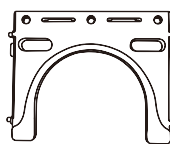
U-shaped Side Panel * 3



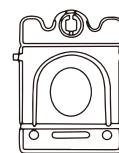
Tower Gate * 4



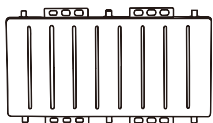
Bridge Fence * 2



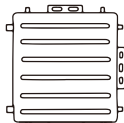
Tunnel Panel * 2



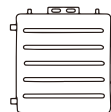
Round Hole Panel * 3



Tunnel Platform * 1



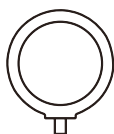
Large Platform * 1



Small Platform * 1



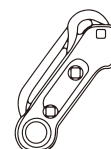
Pedal * 3



Basketball Rim * 1



Basketball Net * 1



Stair Handrail * 2



Screw A * 1



Nut B * 7



Nut C * 50



Square Screw D * 2



Long Square Screw E * 2



Nut F * 2

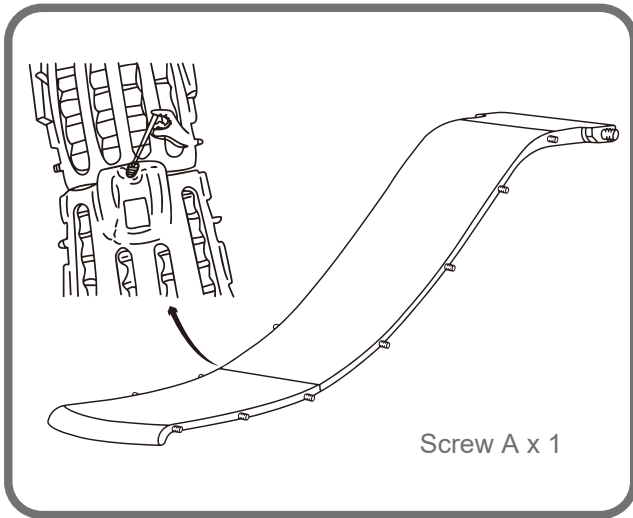


Nut G * 18



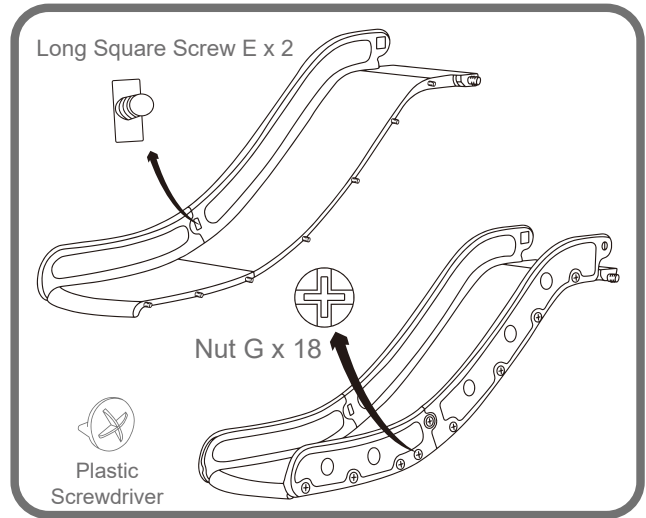
Plastic Screwdriver * 1

ASSEMBLY



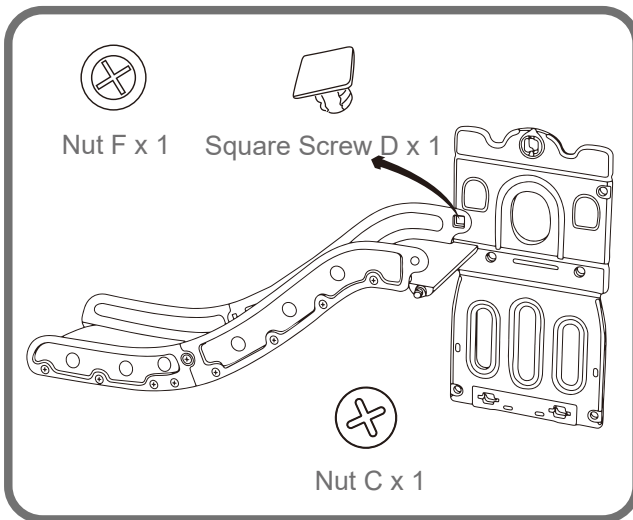
Step1

Attach the Slide to the Buffer Board, and secure with Screw A on the back.



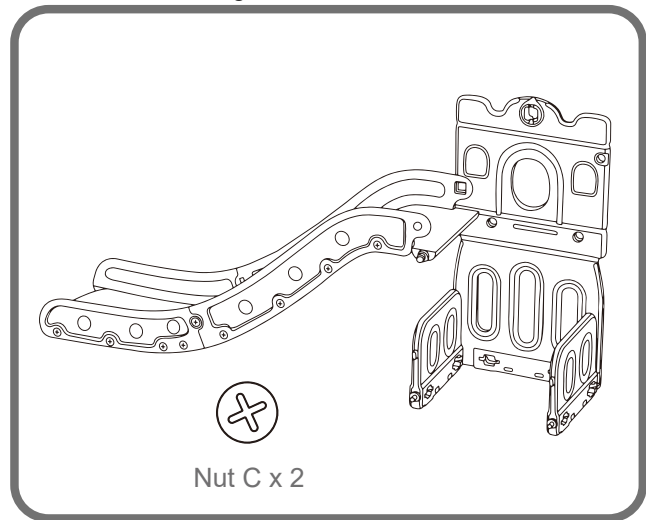
Step2

Connect the Handrails together with Long Square Screw E, and then attach the long handrail to Slide, secure with 9pcs Nut G on each side, 18pcs Nut G in total. Tighten with Plastic Screwdriver.



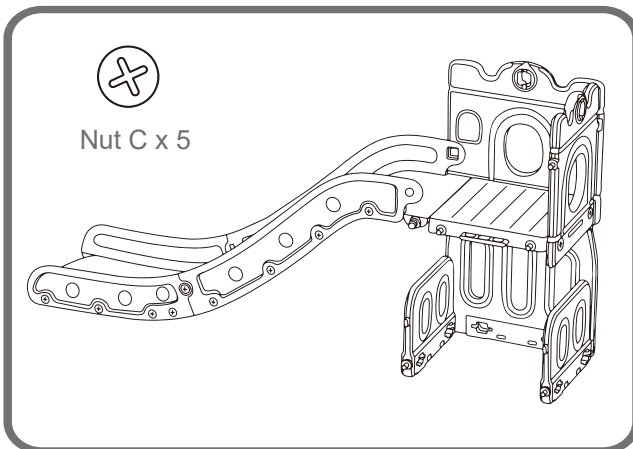
Step3

Connect the Slide section previously assembled to the Large Side Panel, securing them with 1pc Nut C, 1pc Square Screw D and 1pc Nut F, using Plastic Screwdriver.



Step4

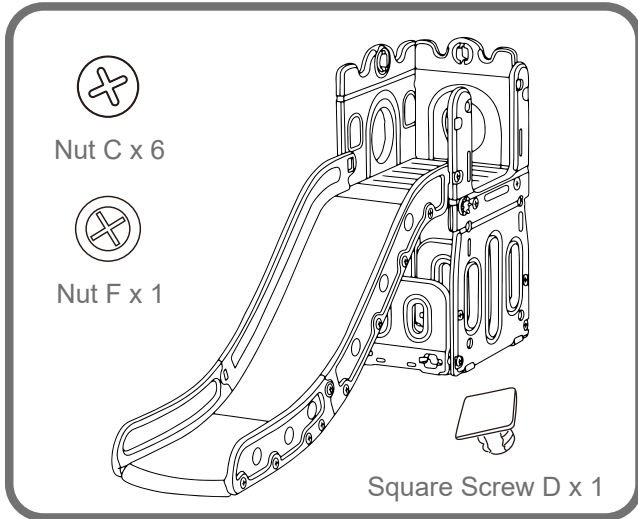
Take 2 Tower Gates, insert them through the holes on the Large Side Panel, and secure with 2pcs Nut C.



Step5

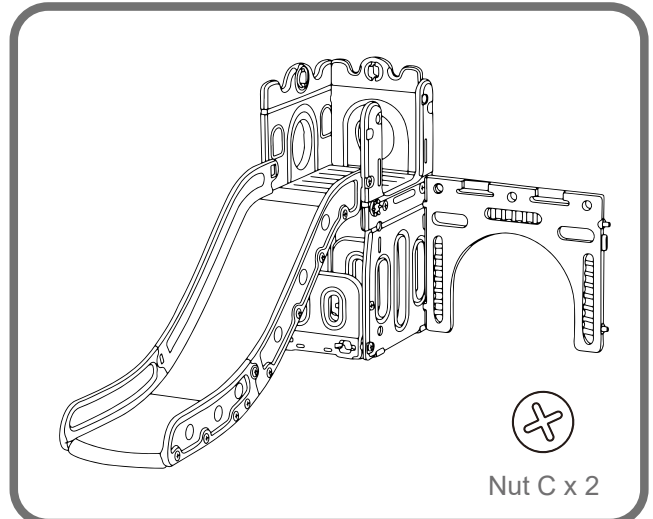
Connect the Round Hole Panel and Small Platform with 2pcs Nut C. Then attach this part to the slide section, secure with 3pcs Nut C.

ASSEMBLY



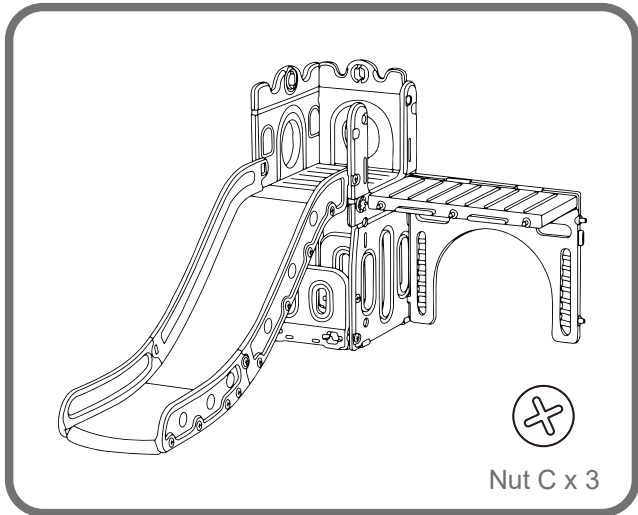
Step6

Attach the U-shaped Side Panel as illustrated, and secure with 6pcs Nut C, 1pc Nut F and 1pc Square Screw D.



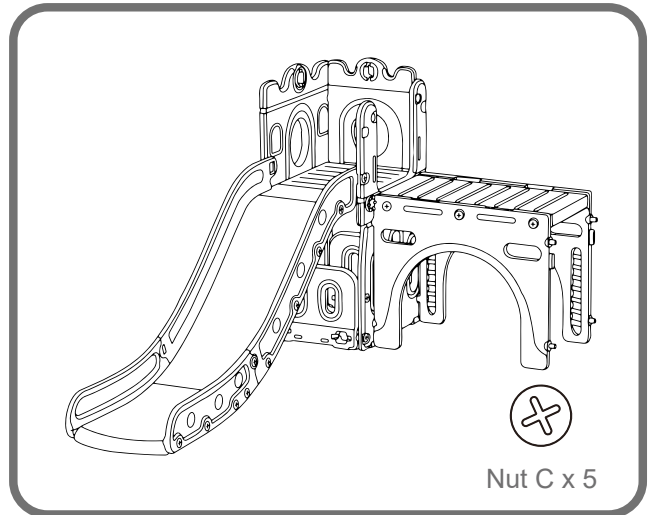
Step7

Install the Tunnel Panel to the assembled section, and secure with 2pcs Nut C.



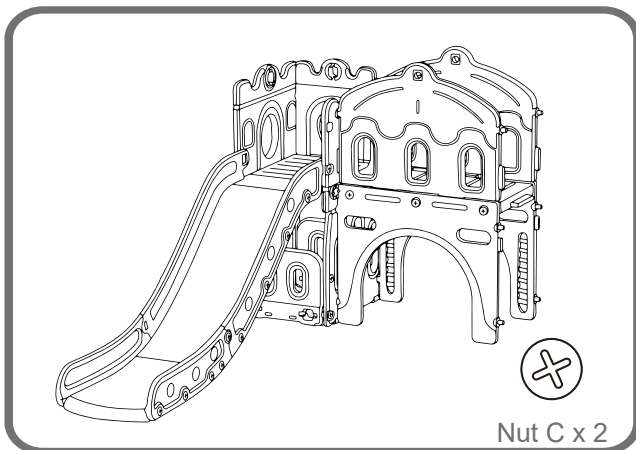
Step8

Position Tunnel Platform as illustrated, secure it to the assembled part with 3pcs Nut C.



Step9

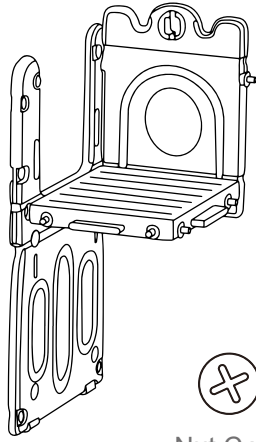
Attach another Tunnel Plate and secure with 5pcs Nut C.




Step10

Install the Bridge Fences and secure with 2pcs Nut C.

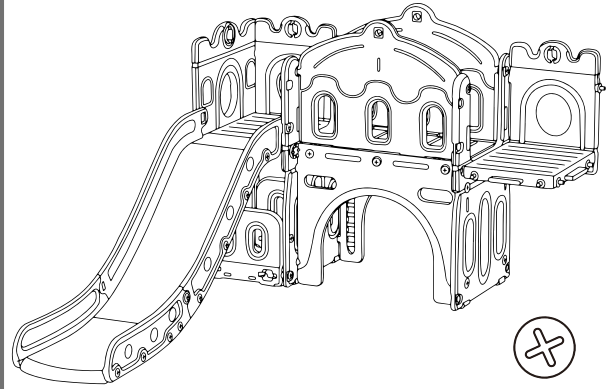
ASSEMBLY




Nut C x 5

Step11

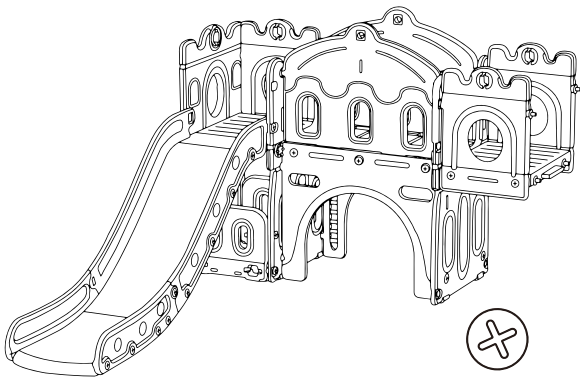
Connect the Round Hole Panel and the Large Platform with 5pcs Nut C.




Nut C x 6

Step12

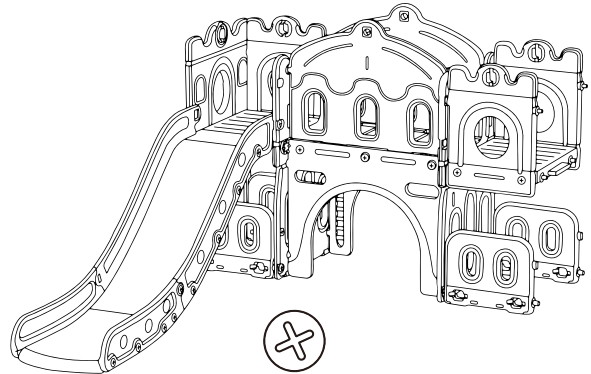
Attach the U-shaped Side Panel section to the assembled part, secure with 6pcs Nut C.




Nut C x 3

Step13

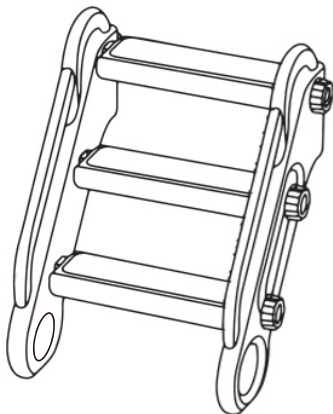
Add the 3rd Round Hole Panel as illustrated, secure with 3pcs Nut C.




Nut C x 2

Step14

Insert 2 Tower Gates to the bottom of U-shaped Side Panel, secure with 2pcs Nut C.

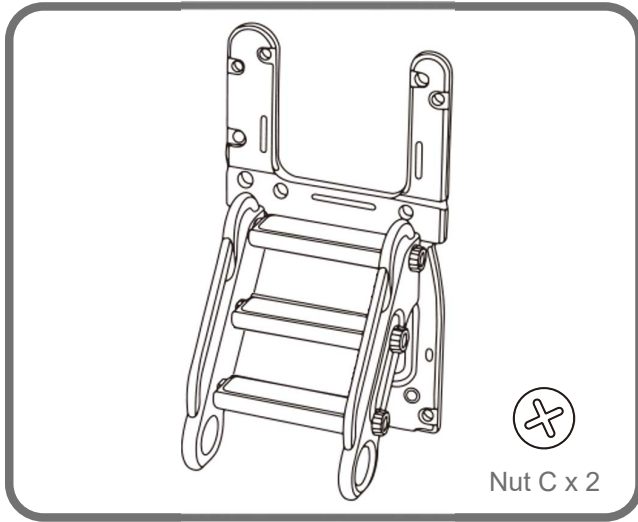



Nut B x 6

Step15

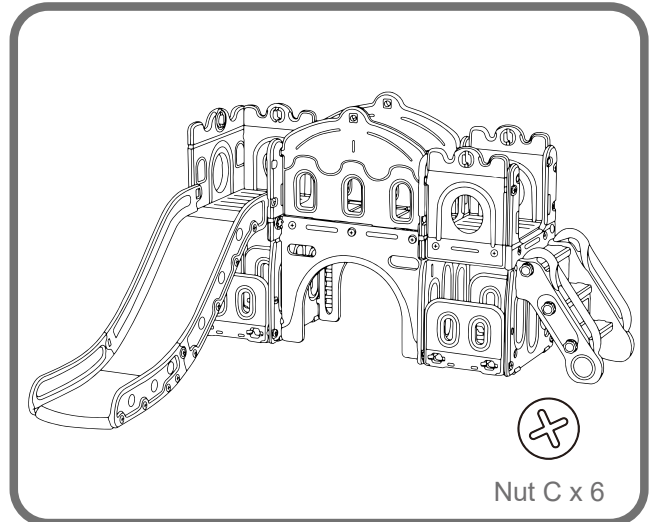
Insert the Pedals into the holes in Stair Handrails, and secure with 6pcs Nut B.

ASSEMBLY



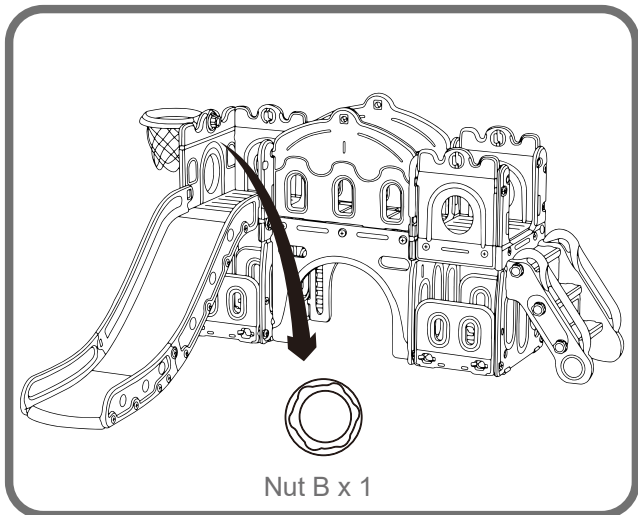
Step16

Connect the Stair and the U-shaped Side Panel as illustrated, and secure with 2pcs Nut C.



Step17

Attach the stair set to the assembled section, and secure with 6pcs Nut C.



Step18

Put the Basketball Net on the Rim, and then install the basketball set to the Large Side Panel, fasten with Screw B.