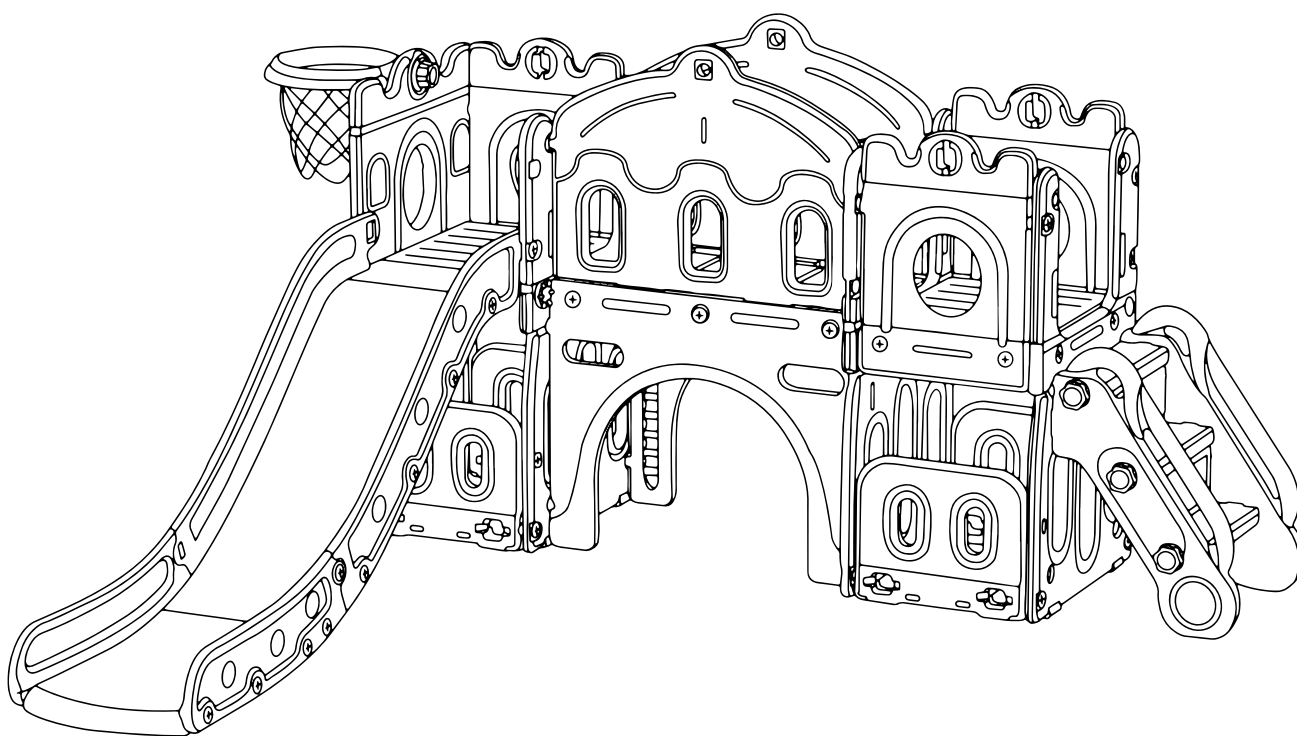


# Multiplay Tower & Slide

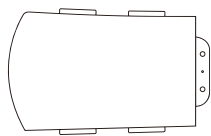
## USER MANUAL



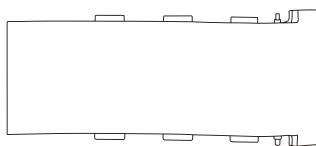
READ AND SAVE THIS INSTRUCTION FOR FUTURE USE

---

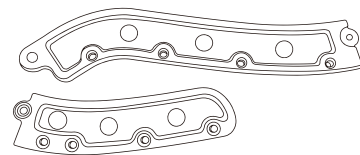
# PART LIST



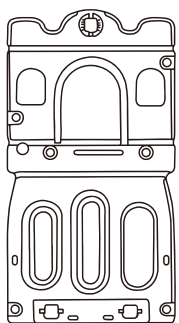
Buffer Board \* 1



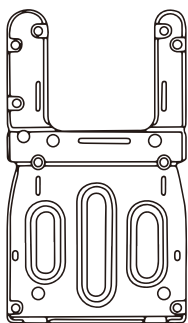
Slide \* 1



Slide Handrail \* 2



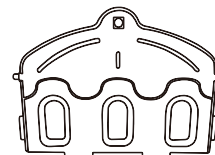
Large Side Panel \* 1



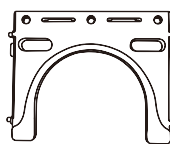
U-shaped Side Panel \* 3



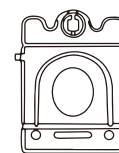
Tower Gate \* 4



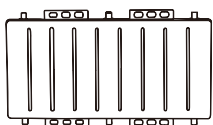
Bridge Fence \* 2



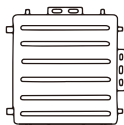
Tunnel Panel \* 2



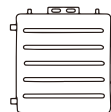
Round Hole Panel \* 3



Tunnel Platform \* 1



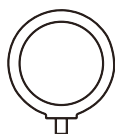
Large Platform \* 1



Small Platform \* 1



Pedal \* 3



Basketball Rim \* 1



Basketball Net \* 1



Stair Handrail \* 2



Screw A \* 1



Nut B \* 7



Nut C \* 50



Square Screw D \* 2



Long Square Screw E \* 2



Nut F \* 2

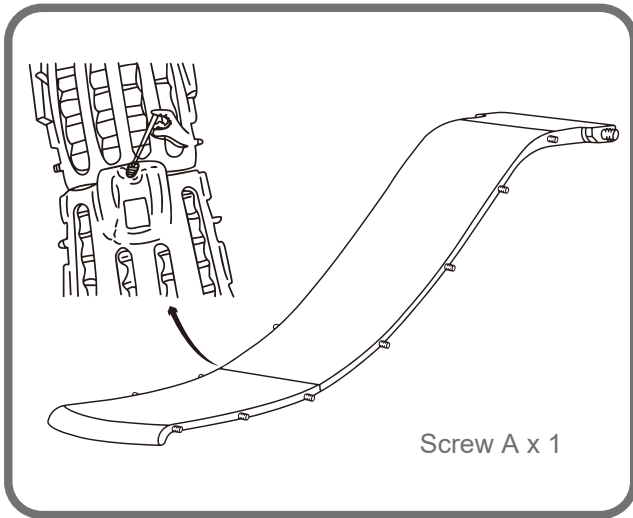


Nut G \* 18



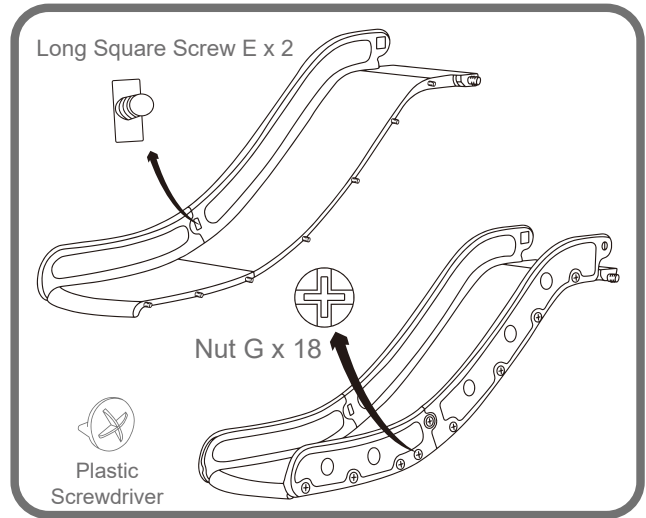
Plastic Screwdriver \* 1

# ASSEMBLY



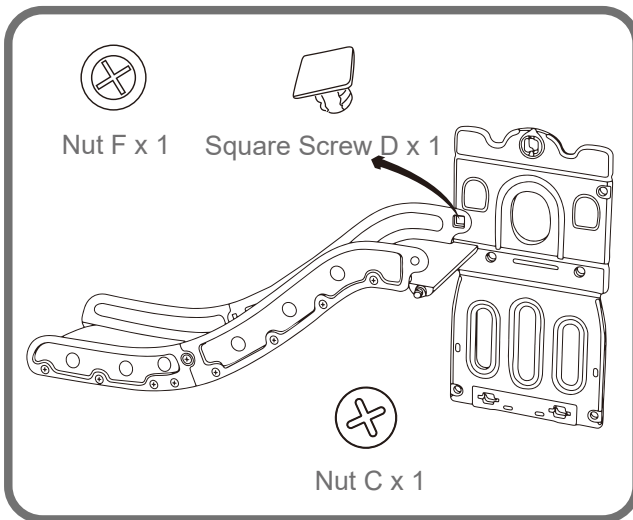
## Step1

Attach the Slide to the Buffer Board, and secure with Screw A on the back.



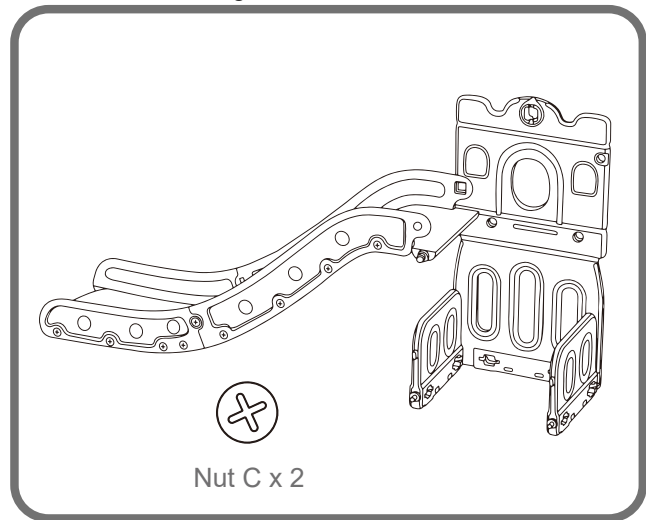
## Step2

Connect the Handrails together with Long Square Screw E, and then attach the long handrail to Slide, secure with 9pcs Nut G on each side, 18pcs Nut G in total. Tighten with Plastic Screwdriver.



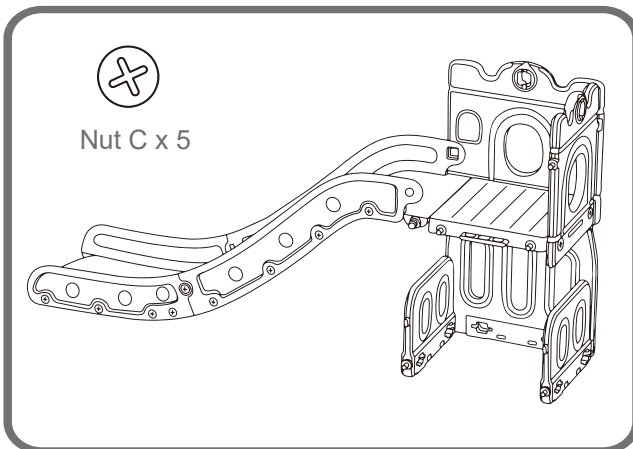
## Step3

Connect the Slide section previously assembled to the Large Side Panel, securing them with 1pc Nut C, 1pc Square Screw D and 1pc Nut F, using Plastic Screwdriver.



## Step4

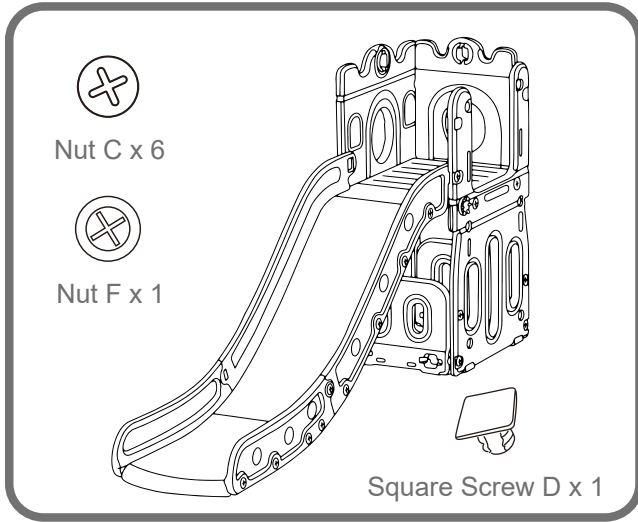
Take 2 Tower Gates, insert them through the holes on the Large Side Panel, and secure with 2pcs Nut C.



## Step5

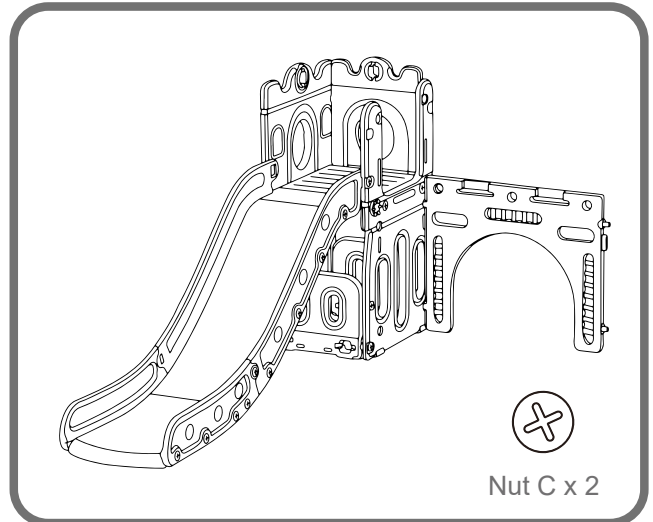
Connect the Round Hole Panel and Small Platform with 2pcs Nut C. Then attach this part to the slide section, secure with 3pcs Nut C.

# ASSEMBLY



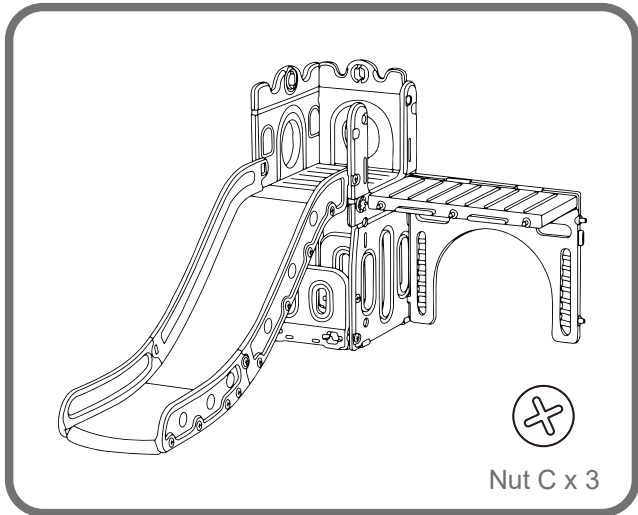
## Step6

Attach the U-shaped Side Panel as illustrated, and secure with 6pcs Nut C, 1pc Nut F and 1pc Square Screw D.



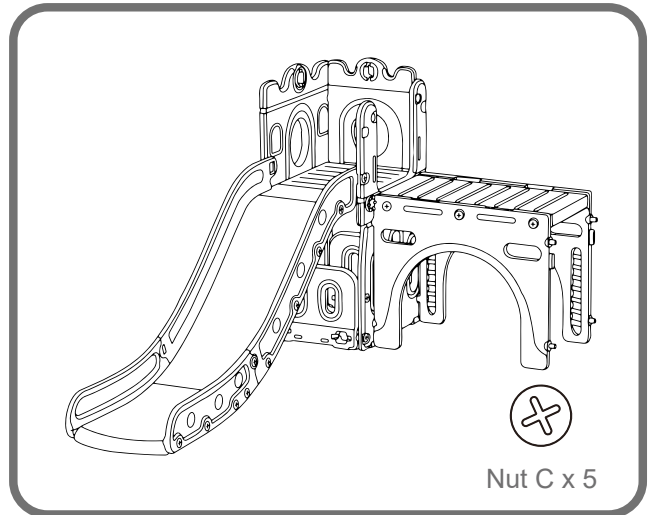
## Step7

Install the Tunnel Panel to the assembled section, and secure with 2pcs Nut C.



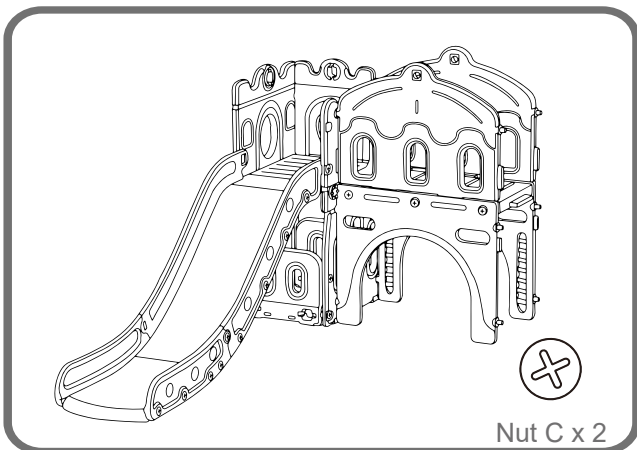
## Step8

Position Tunnel Platform as illustrated, secure it to the assembled part with 3pcs Nut C.



## Step9

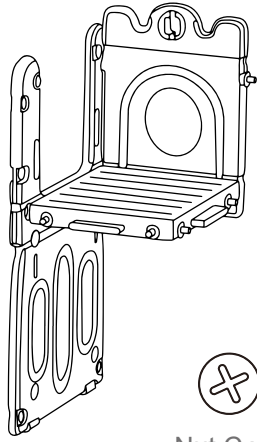
Attach another Tunnel Plate and secure with 5pcs Nut C.



## Step10

Install the Bridge Fences and secure with 2pcs Nut C.

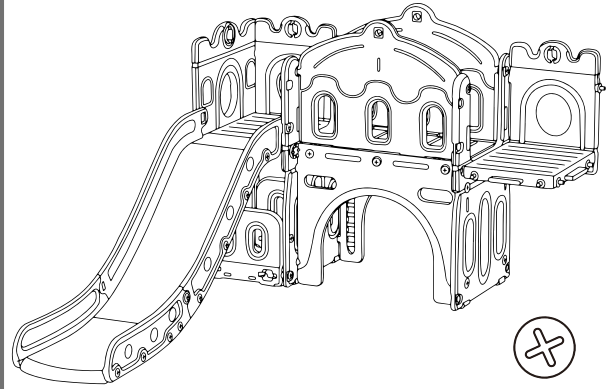
# ASSEMBLY



Nut C x 5

## Step11

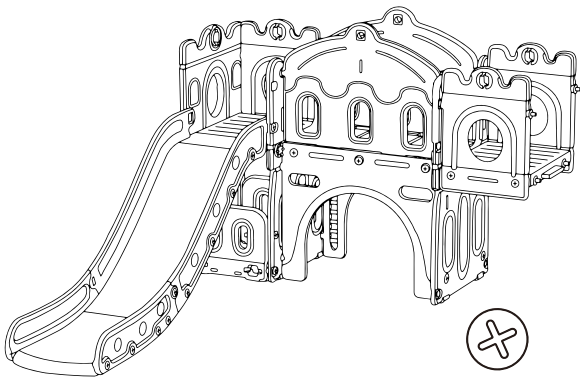
Connect the Round Hole Panel and the Large Platform with 5pcs Nut C.



Nut C x 6

## Step12

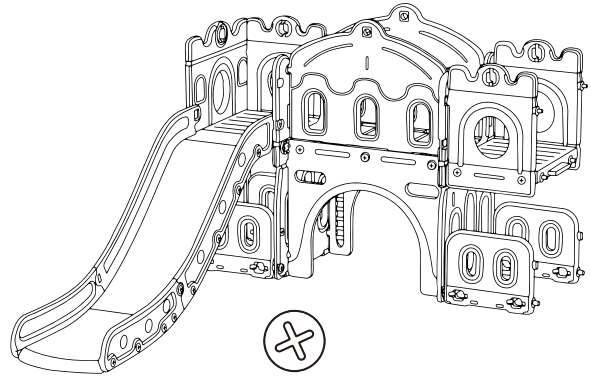
Attach the U-shaped Side Panel section to the assembled part, secure with 6pcs Nut C.



Nut C x 3

## Step13

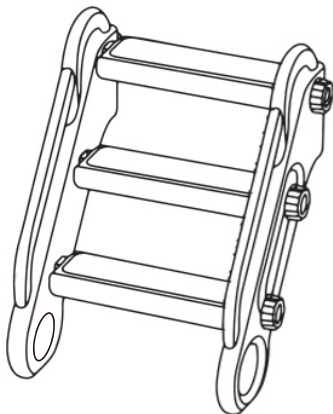
Add the 3rd Round Hole Panel as illustrated, secure with 3pcs Nut C.



Nut C x 2

## Step14

Insert 2 Tower Gates to the bottom of U-shaped Side Panel, secure with 2pcs Nut C.

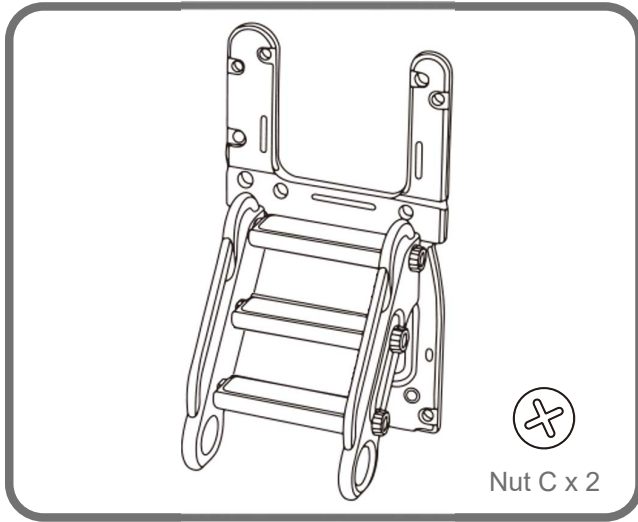


Nut B x 6

## Step15

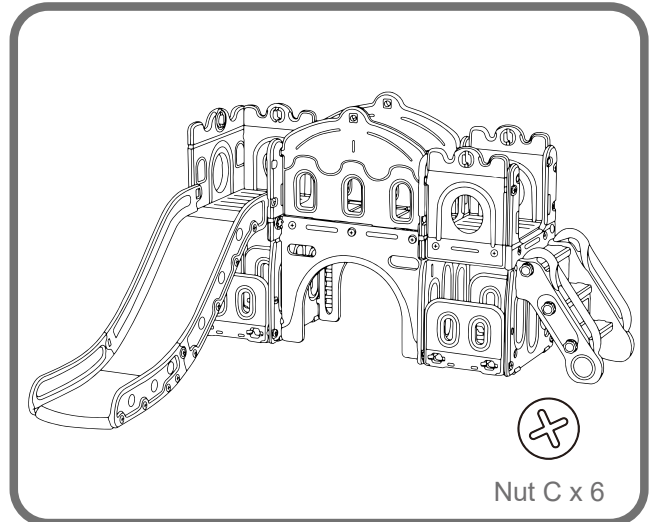
Insert the Pedals into the holes in Stair Handrails, and secure with 6pcs Nut B.

# ASSEMBLY



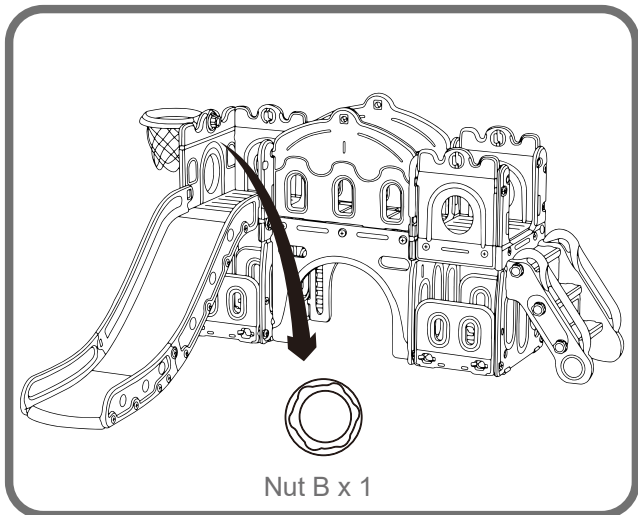
## Step16

Connect the Stair and the U-shaped Side Panel as illustrated, and secure with 2pcs Nut C.



## Step17

Attach the stair set to the assembled section, and secure with 6pcs Nut C.



## Step18

Put the Basketball Net on the Rim, and then install the basketball set to the Large Side Panel, fasten with Screw B.