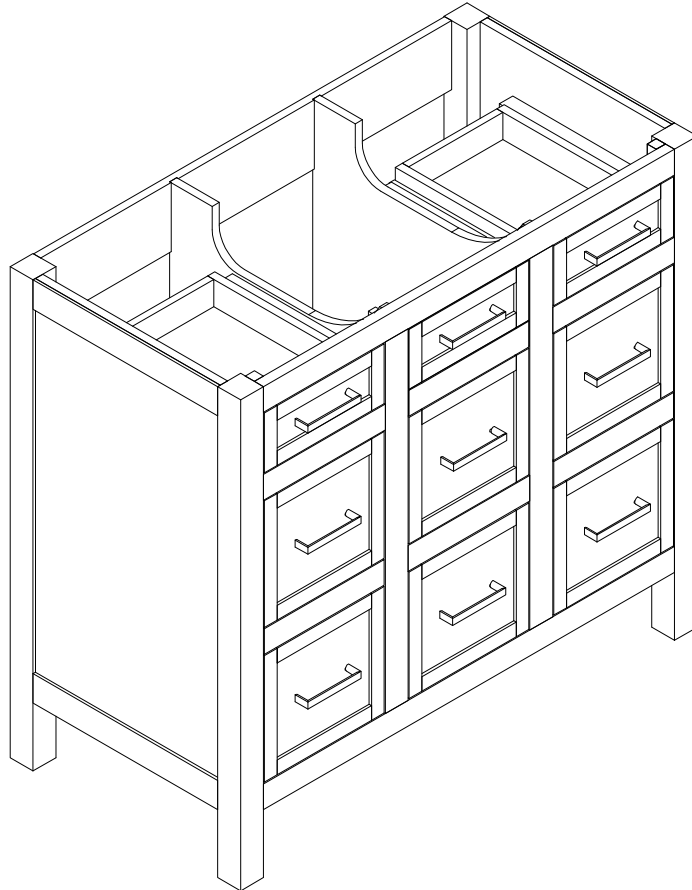


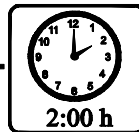
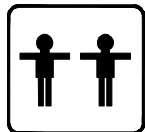
# ASSEMBLY INSTRUCTIONS

## 36 INCH BATH VANITY-CABINET

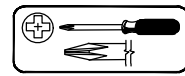


Thank you for purchasing this quality product. Be sure to check all packing material carefully for small parts which may have come loose inside the carton during shipment. Separate, identify and count all parts and hardware. Compare with the parts list to be sure all parts are present.  
**"DO NOT TIGHTEN SCREWS UNTIL COMPLETELY ASSEMBLED"**

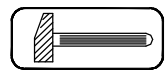
**\* Use of power tool to assemble this product will invalidate any claim and damage this product making unsafe !!!**  
**\* Please assemble on a clean soft surface to avoid damage.**



### Tools Required



(Not included)



(Not included)

**IMPORTANT:**

**PLEASE READ INSTRUCTION BEFORE STARTING THE ASSEMBLY**

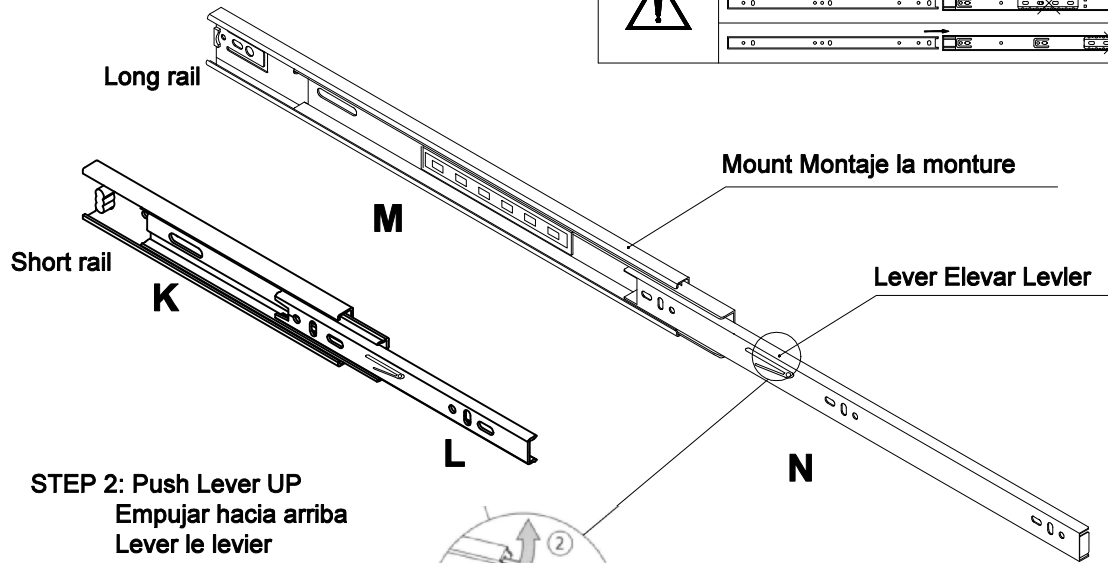
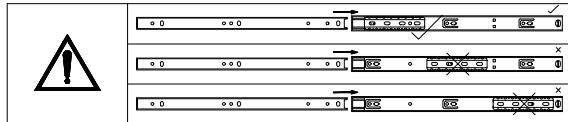
**Slides Must Be Separated Before Assembly.  
After Separated, Set Aside Until Needed for Assembly.**

Las diapositivas deben separarse antes del montaje.  
Después de la separación, déjelo a un lado hasta que sea necesario.

Les glissières doivent être séparées avant l'assemblage.  
Après la séparation, mettez de côté jusqu'au moment de l'assemblage.

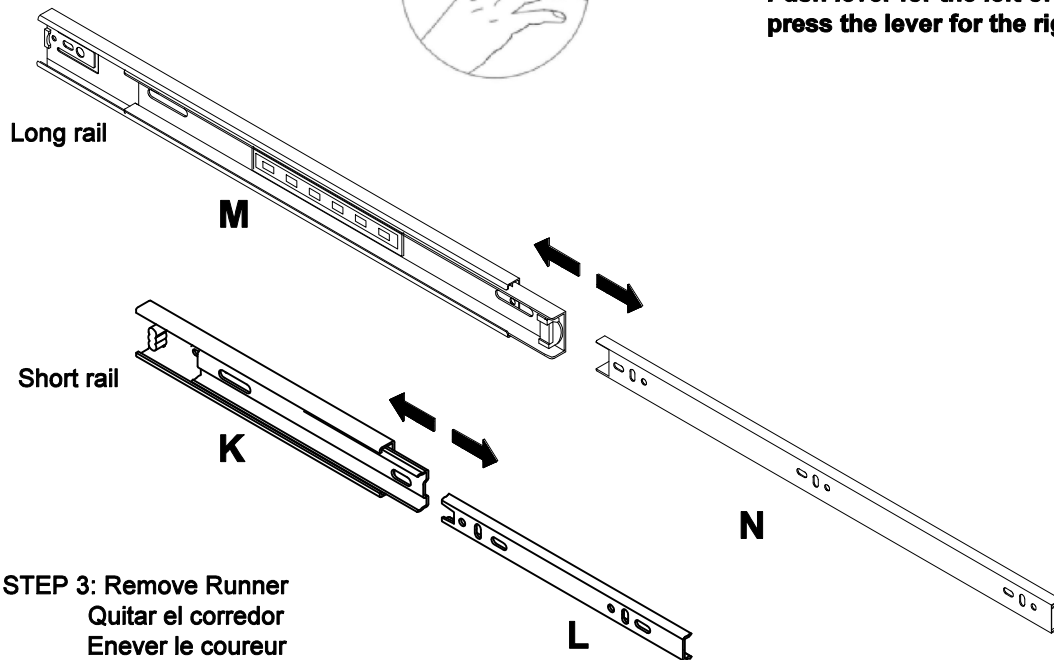
**Pay attention when connecting !  
The sliding module must be at the front end.**

**STEP 1 : Extend Slide  
Extender la diapositiva**



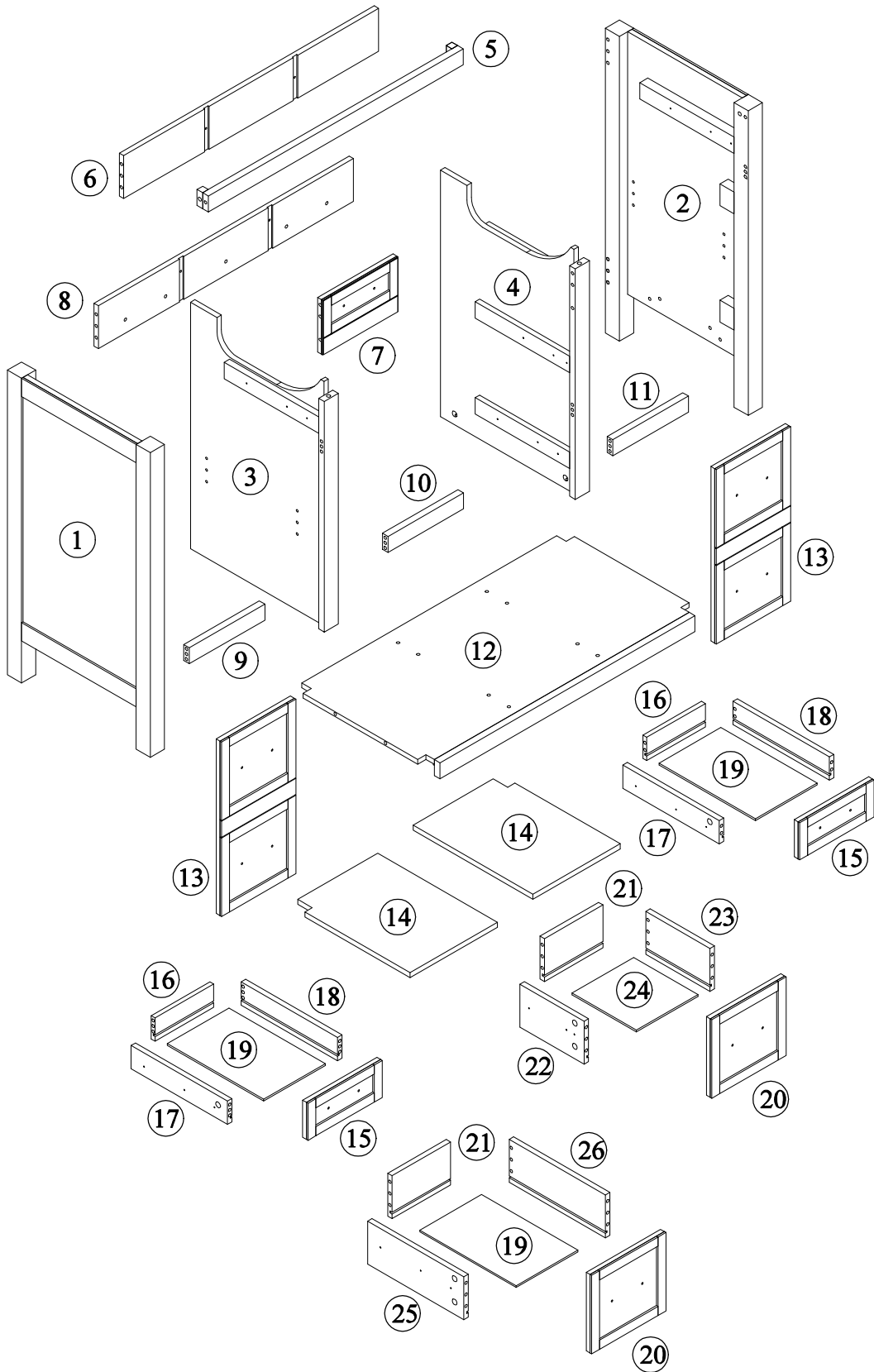
**STEP 2: Push Lever UP  
Empujar hacia arriba  
Lever le levier**

**Push lever for the left of drawer ,  
press the lever for the right of drawer.**



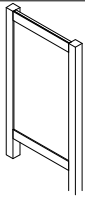
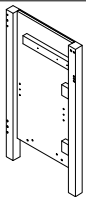
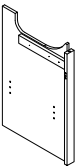
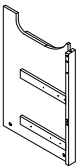
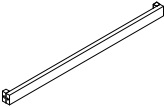
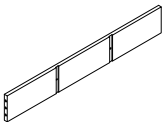
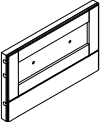
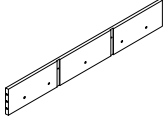
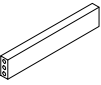
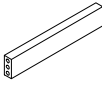
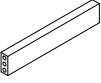
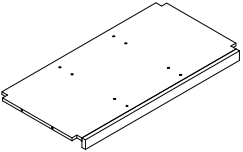
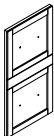
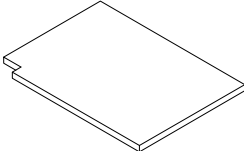
**STEP 3: Remove Runner  
Quitar el corredor  
Enlever le coureur**

# Detail View - CABINET

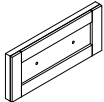
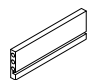
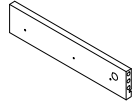

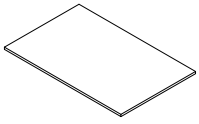
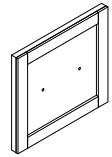
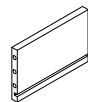
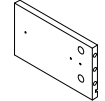
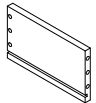
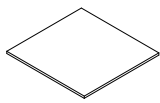
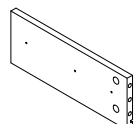
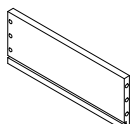


**Identifying the Hardware**-Identify the hardware using the illustrations below.



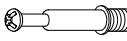


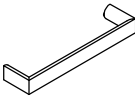

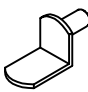
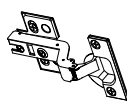
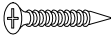
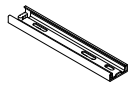

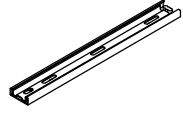
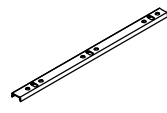



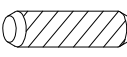

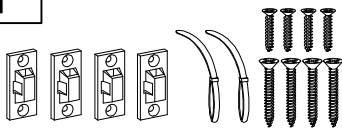
# Part List - WF315814

<p><b>1</b></p>  <p><b>Side Panel (L) - 1pc</b></p>	<p><b>2</b></p>  <p><b>Side Panel (R) - 1pc</b></p>
<p><b>3</b></p>  <p><b>Panel Mid (L) - 1pc</b></p>	<p><b>4</b></p>  <p><b>Panel Mid (R) - 1pc</b></p>
<p><b>5</b></p>  <p><b>Front Crossbar Top - 1pc</b></p>	<p><b>6</b></p>  <p><b>Rear Panel Top - 1pc</b></p>
<p><b>7</b></p>  <p><b>Fake Drawer - 1pc</b></p>	<p><b>8</b></p>  <p><b>Rear Panel Bottom - 1pc</b></p>
<p><b>9</b></p>  <p><b>Mid Crossbar (A) - 1pc</b></p>	<p><b>10</b></p>  <p><b>Mid Crossbar (B) - 1pc</b></p>
<p><b>11</b></p>  <p><b>Mid Crossbar (C) - 1pc</b></p>	<p><b>12</b></p>  <p><b>Frame Bottom - 1pc</b></p>
<p><b>13</b></p>  <p><b>Door Cabinet - 2pcs</b></p>	<p><b>14</b></p>  <p><b>Adjustable Shelf - 2pcs</b></p>

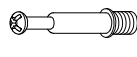

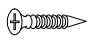
# Part List - WF315814

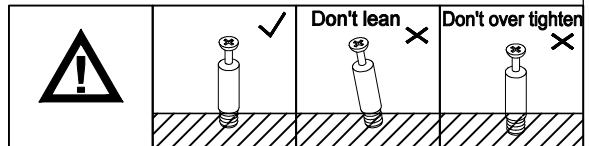
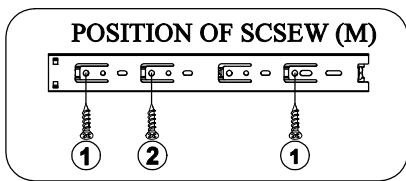
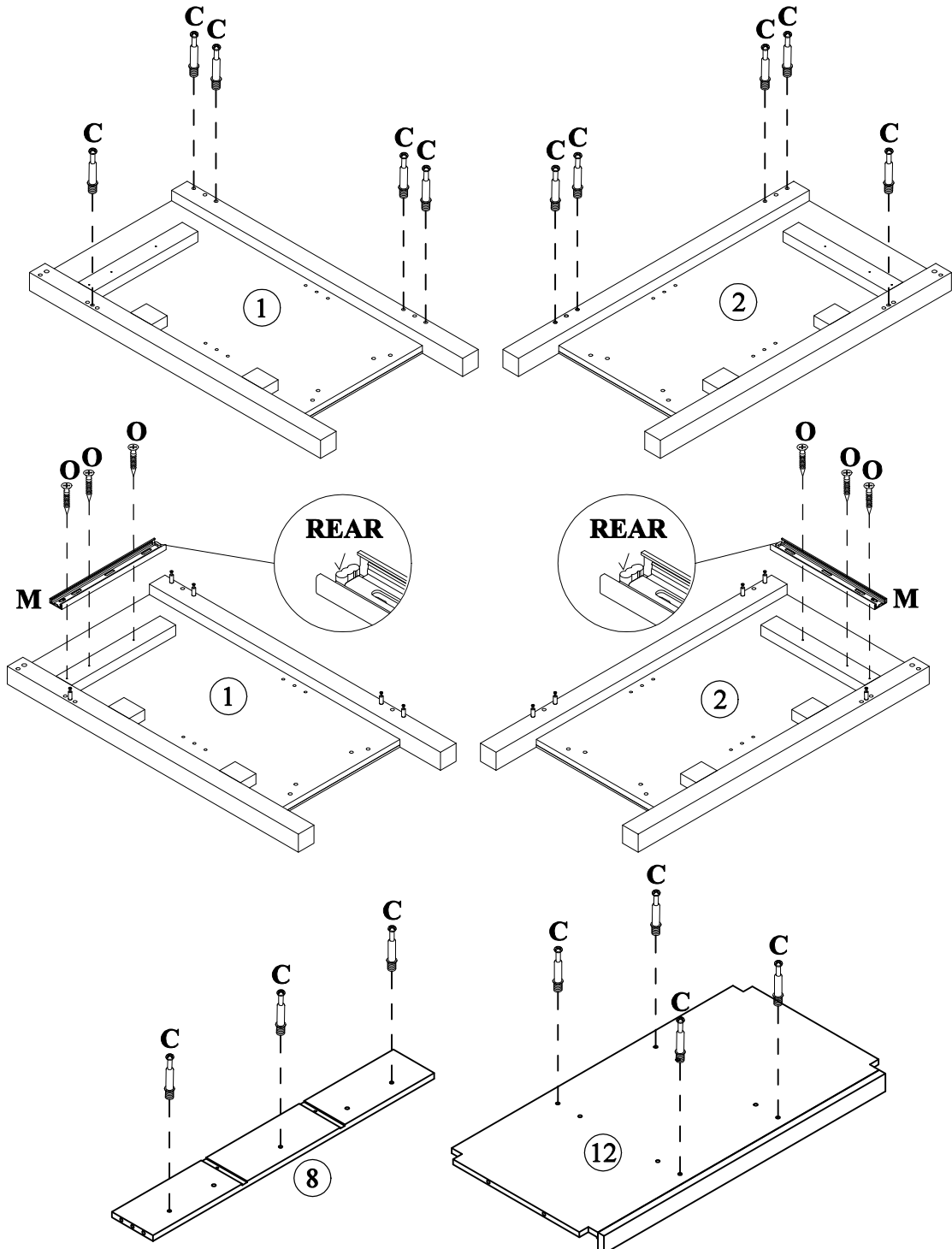
<p><b>15</b></p>  <p>Top Drawer Face - 2pcs</p>	<p><b>16</b></p>  <p>Top Drawer Panel Rear - 2pcs</p>
<p><b>17</b></p>  <p>Top Drawer Panel Side(L) - 2pcs</p>	<p><b>18</b></p>  <p>Top Drawer Panel Side(R) - 2pcs</p>
<p><b>19</b></p>  <p>Panel Bottom (A) - 3pcs</p>	<p><b>20</b></p>  <p>Mid Drawer Face - 2pcs</p>
<p><b>21</b></p>  <p>Mid Drawer Panel Rear - 2pcs</p>	<p><b>22</b></p>  <p>Mid Drawer Panel Side(L-A) - 1pc</p>
<p><b>23</b></p>  <p>Top Drawer Panel Side(R-A) - 1pc</p>	<p><b>24</b></p>  <p>Panel Bottom (B) - 1pc</p>
<p><b>25</b></p>  <p>Mid Drawer Panel Side(L-B) - 1pc</p>	<p><b>26</b></p>  <p>Top Drawer Panel Side(R-B) - 1pc</p>

# Hardware List - WF315814

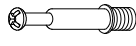


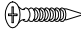
<p><b>A</b></p>  <p><math>\varnothing 13 \times 1/4" \times 28 \text{mm}</math></p>	<p><b>B</b></p>  <p><math>\varnothing 1/4" \times 16 \times 1 \text{mm}</math></p>	<p><b>C</b></p>  <p><math>\varnothing 6 \times 35 \text{mm}</math></p>
<p>Hex-Head bolts (6pcs)</p>	<p>Washer (6pcs)</p>	<p>Three in one bolts (49pcs)</p>
<p><b>D</b></p>  <p><math>\varnothing 14.5 \times 12 \text{mm}</math></p>	<p><b>E</b></p>  <p><math>\varnothing 8 \times \varnothing 4 \times 25 \text{mm}</math></p>	<p><b>F</b></p> 
<p>Three in one lock (49pcs)</p>	<p>Round head screw (4pcs)</p>	<p>Handle (9pcs)</p>
<p><b>G</b></p>  <p><math>\varnothing 5/32" \times 15 \text{mm}</math></p>	<p><b>H</b></p> 	<p><b>I</b></p> 
<p>Handle screw (18pcs)</p>	<p>Laminate pad (8pcs)</p>	<p>Damping hinge (4pcs)</p>
<p><b>J</b></p>  <p><math>\varnothing 7 \times \varnothing 3.5 \times 15 \text{mm}</math></p>	<p><b>K</b></p>  <p><math>\varnothing 200 \times 35 \text{mm}</math></p>	<p><b>L</b></p>  <p><math>\varnothing 198 \times 18 \text{mm}</math></p>
<p>Flat head screw (24pcs)</p>	<p>Slide rails (2pcs)</p>	<p>Slide rails (2pcs)</p>
<p><b>M</b></p>  <p><math>\varnothing 300 \times 35 \text{mm}</math></p>	<p><b>N</b></p>  <p><math>\varnothing 298 \times 18 \text{mm}</math></p>	<p><b>O</b></p>  <p><math>\varnothing 6 \times \varnothing 3 \times 12 \text{mm}</math></p>
<p>Slide rails (6pcs)</p>	<p>Slide rails (6pcs)</p>	<p>Flat head screw (48pcs)</p>
<p><b>P</b></p> 	<p><b>Q</b></p>  <p><math>\varnothing 7 \times \varnothing 3.5 \times 12 \text{mm}</math></p>	<p><b>R</b></p>  <p><math>\varnothing 8 \times 30 \text{mm}</math></p>
<p>L-Bracket (2pcs)</p>	<p>Round head screw (4pcs)</p>	<p>Wood dowel (56pcs)</p>
<p><b>S</b></p>  <p>4mm</p>	<p><b>T</b></p> 	
<p>Allen key (1pc)</p>	<p>Anti fall hardware (1set)</p>	

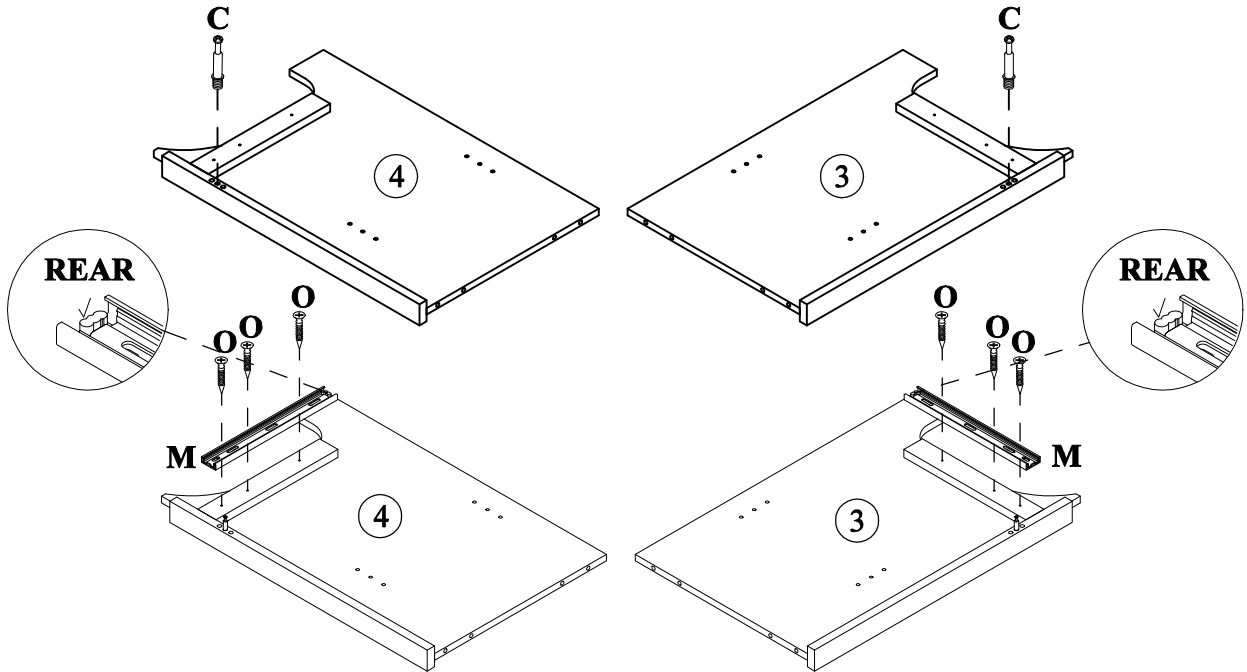
# STEP: 1

<b>C</b> 	<b>M</b> 	<b>O</b> 
<b>17PCS</b>	<b>2PCS</b>	<b>6PCS</b>

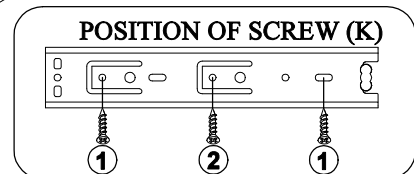
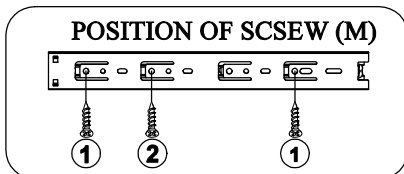
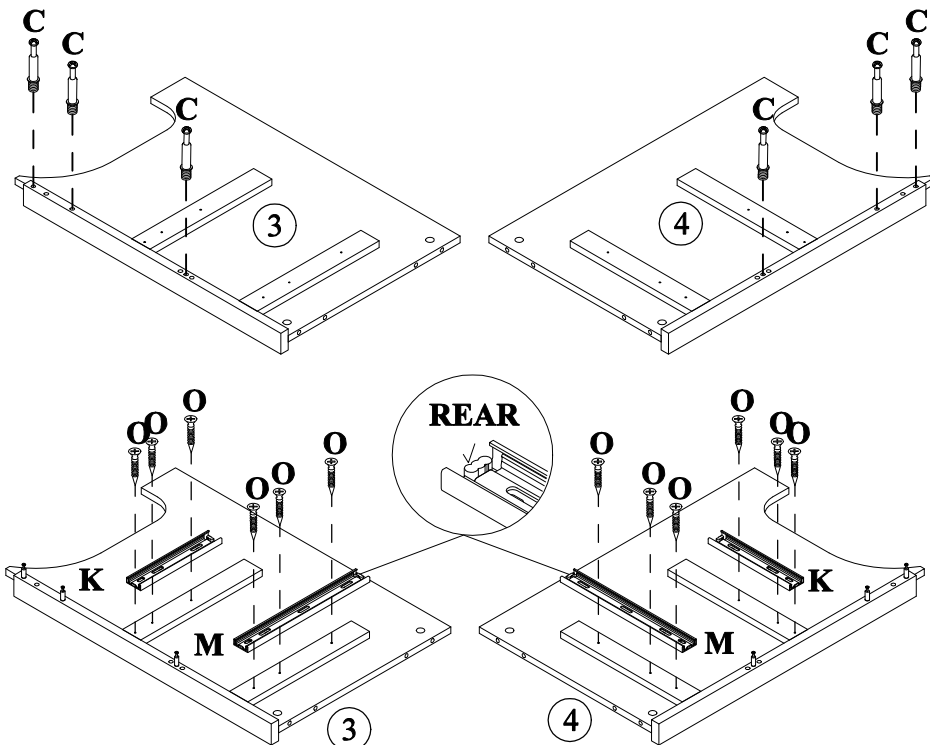


# STEP: 2

<b>C</b> 	<b>M</b> 	<b>K</b> 	<b>O</b> 
<b>8PCS</b>	<b>4PCS</b>	<b>2PCS</b>	<b>18PCS</b>


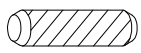


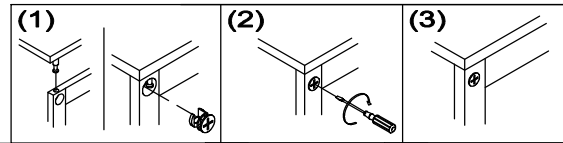
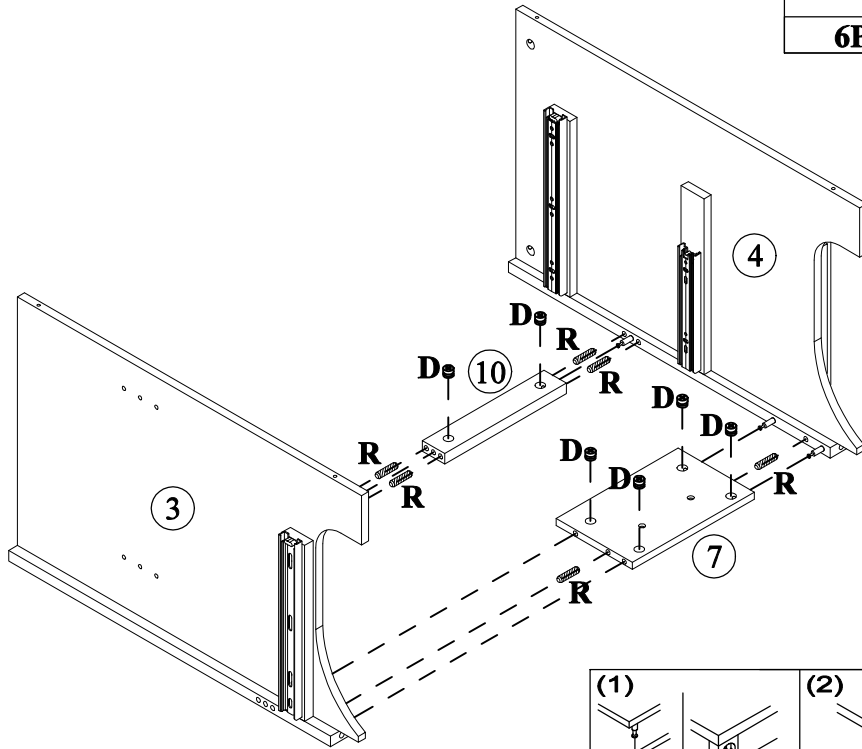
Turn over and install screw, slide rail




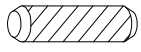


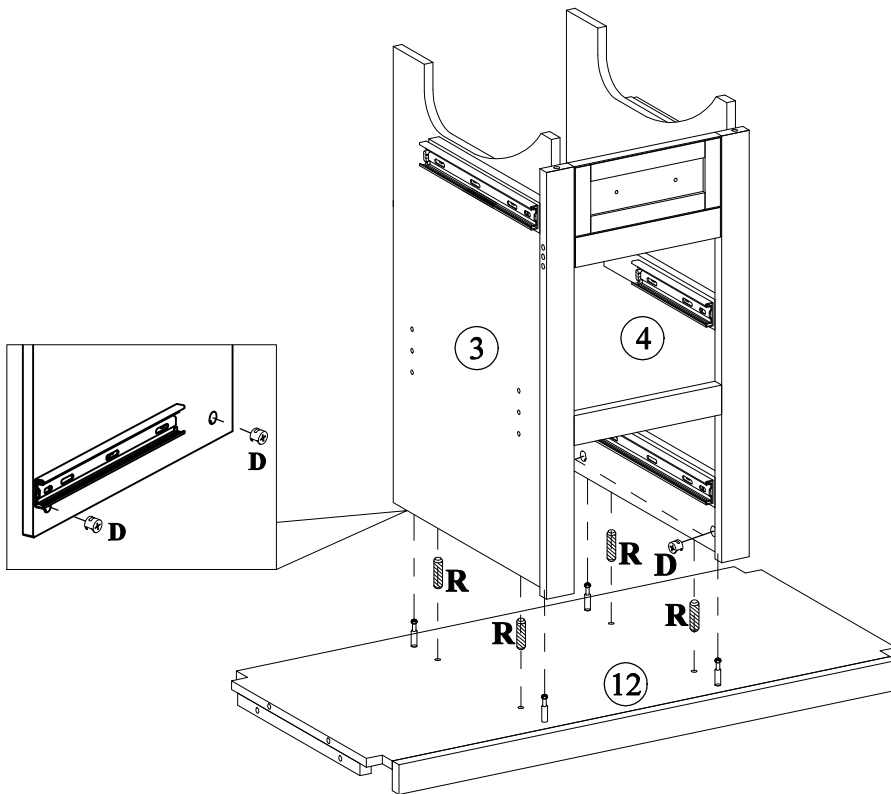
### STEP: 3

<b>D</b>		<b>R</b>	
	<b>6PCS</b>		<b>6PCS</b>


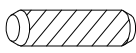



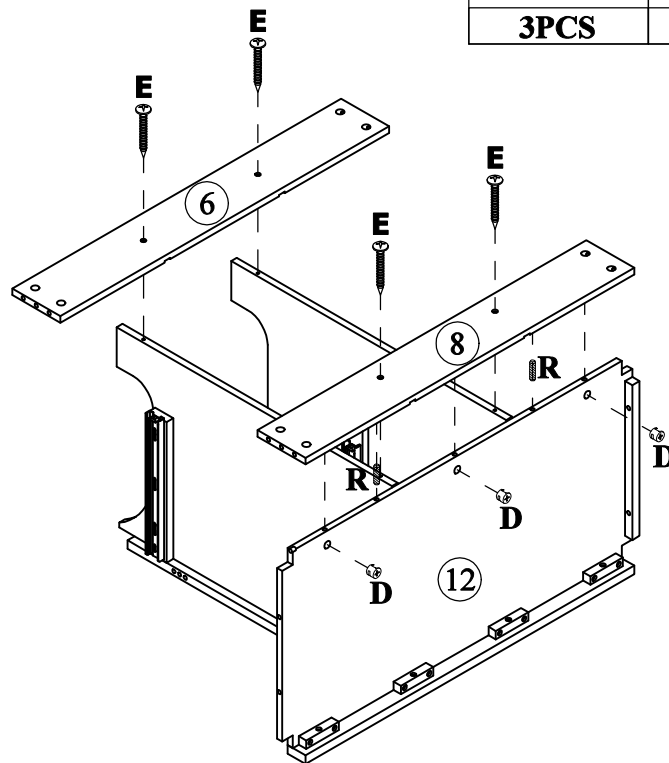
### STEP: 4

<b>D</b>		<b>R</b>	
	<b>4PCS</b>		<b>4PCS</b>







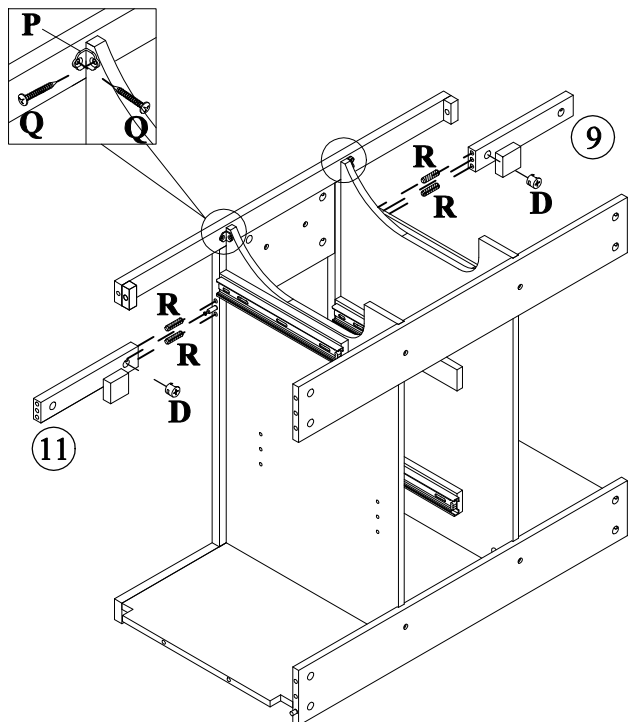
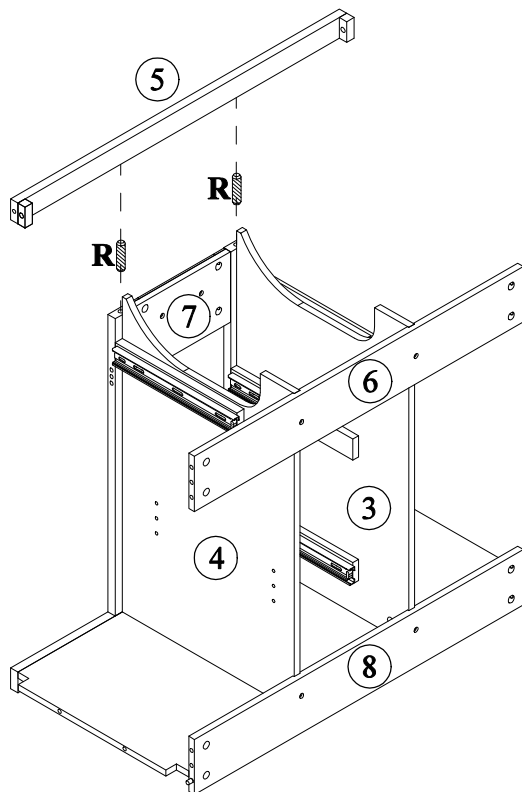
### STEP: 5

D	R	E
		
3PCS	2PCS	4PCS

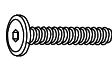


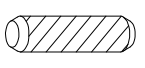


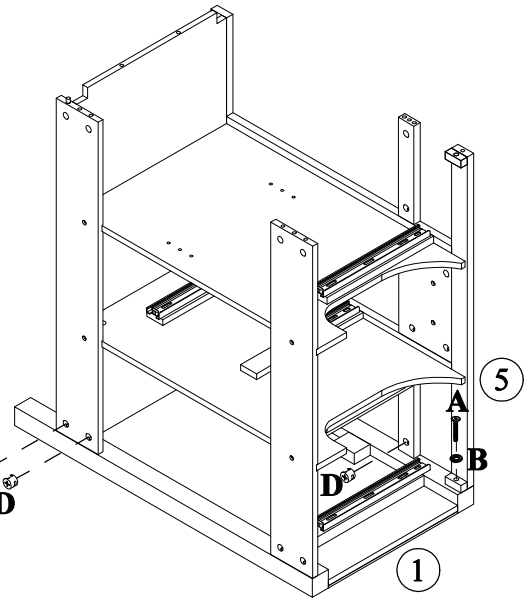
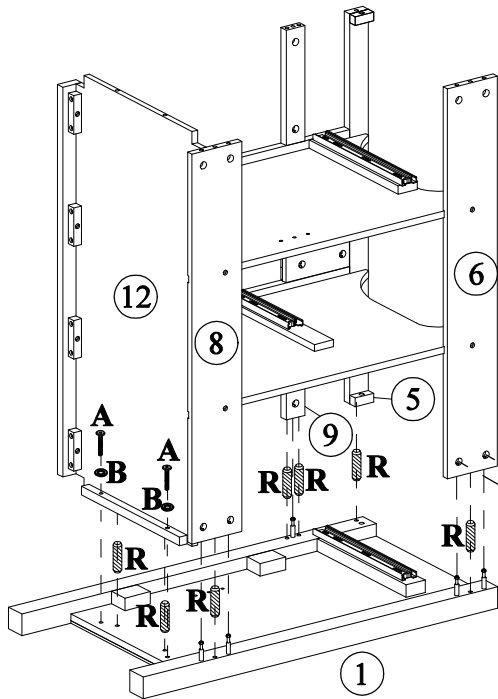
### STEP: 6

D	P	Q	R
			
2PCS	2PCS	4PCS	6PCS

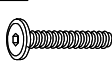


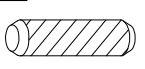


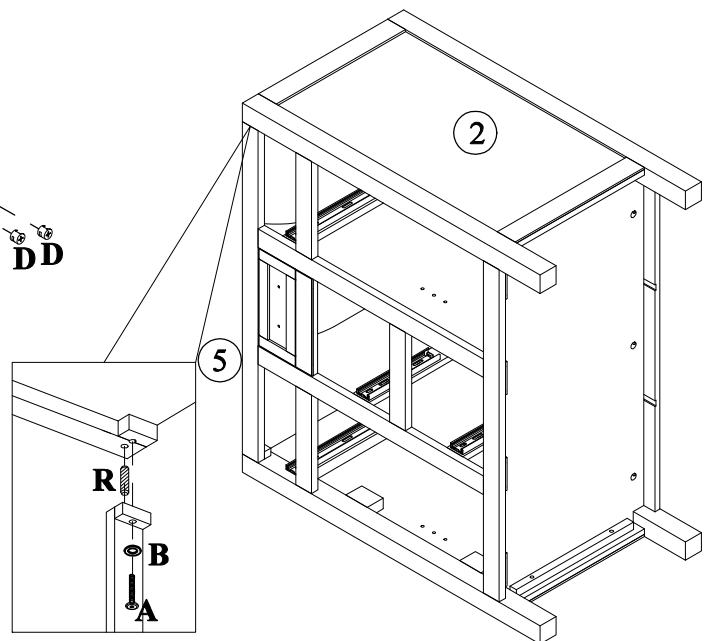
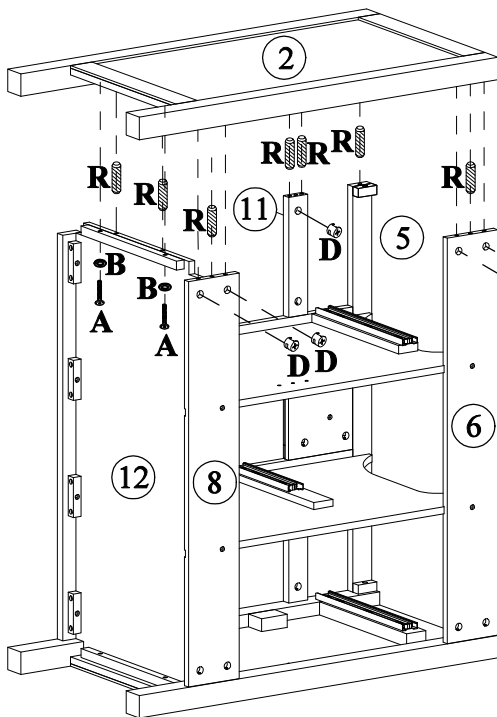
### STEP: 7

A	B	D	R
			
3PCS	3PCS	5PCS	7PCS





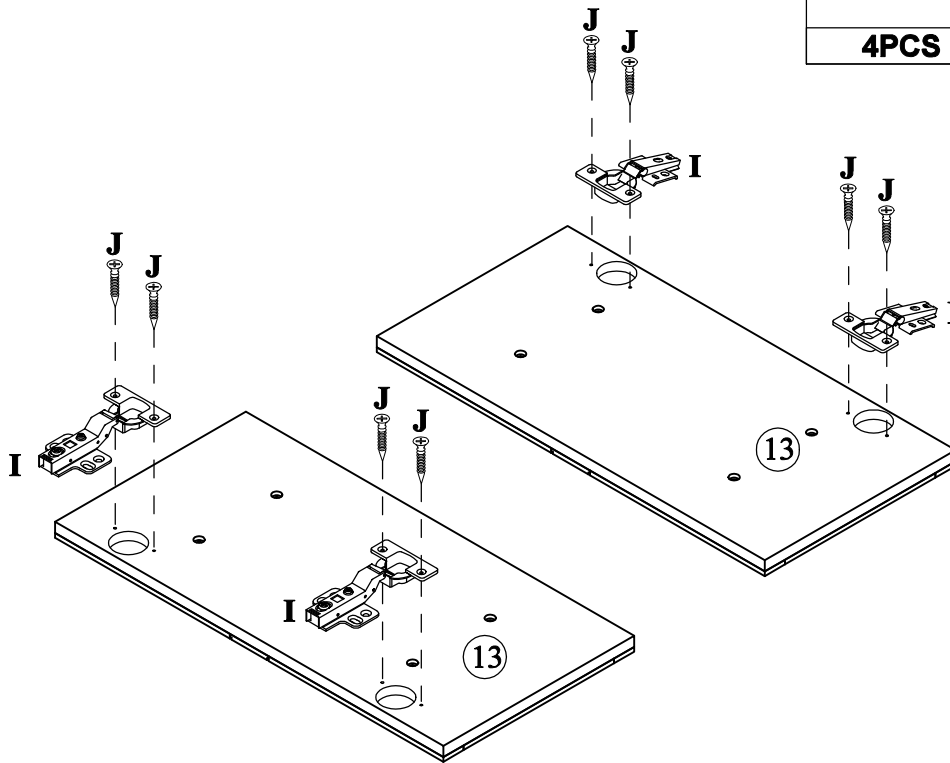
### STEP: 8

A	B	D	R
			
3PCS	3PCS	5PCS	7PCS

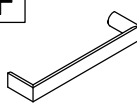
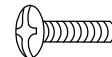
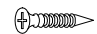


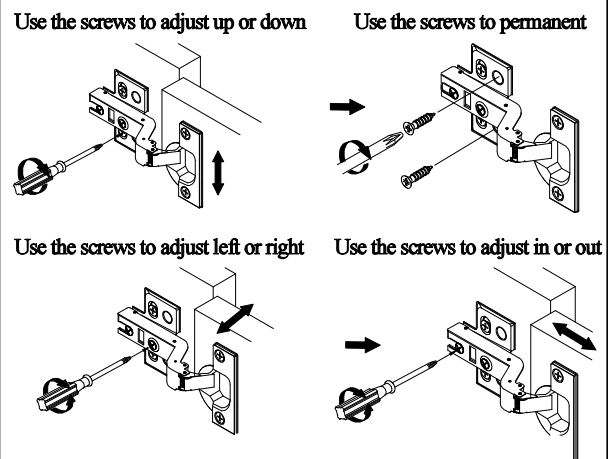
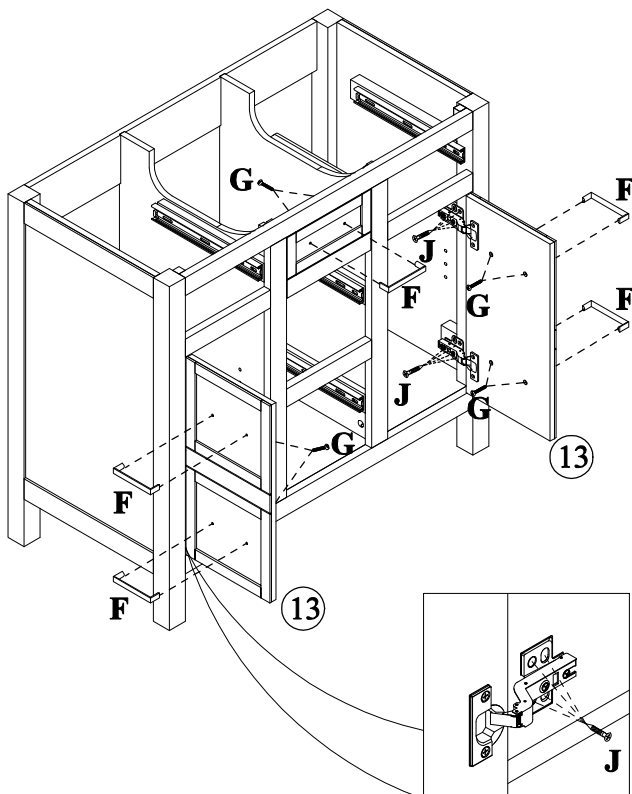
# STEP: 9

<b>I</b>		<b>J</b>	
	<b>4PCS</b>		<b>8PCS</b>



# STEP: 10

<b>F</b>		<b>G</b>		<b>J</b>	
	<b>5PCS</b>		<b>10PCS</b>		<b>16PCS</b>

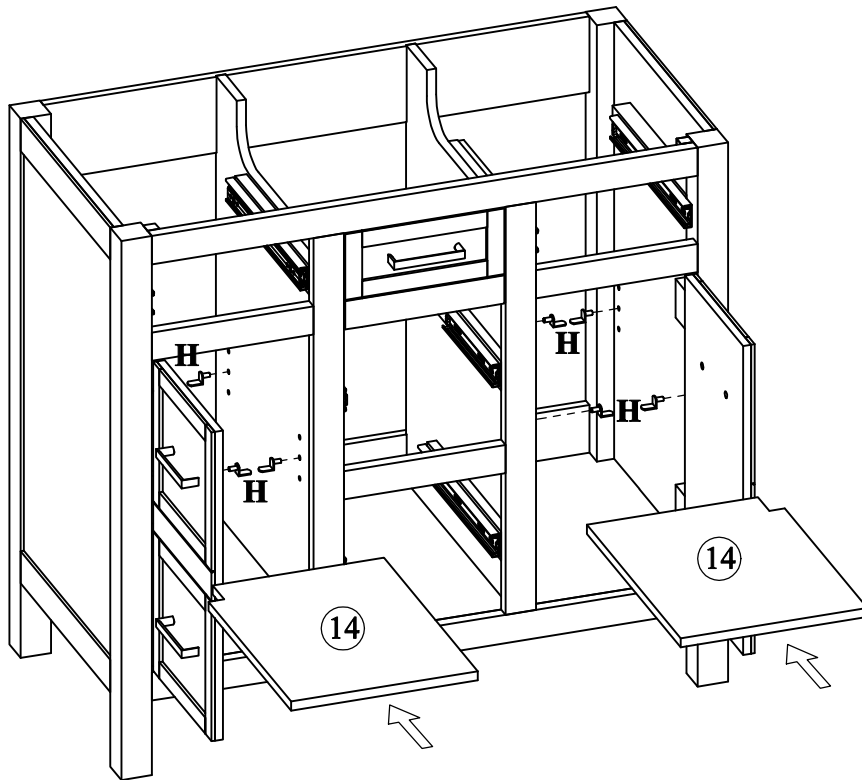


**STEP: 11**

**H**

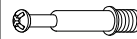


**8PCS**



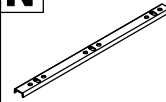
**STEP: 12**

**C**



**8PCS**

**N**

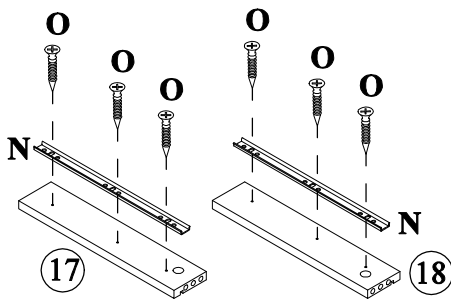


**4PCS**

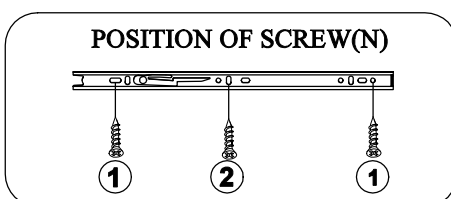
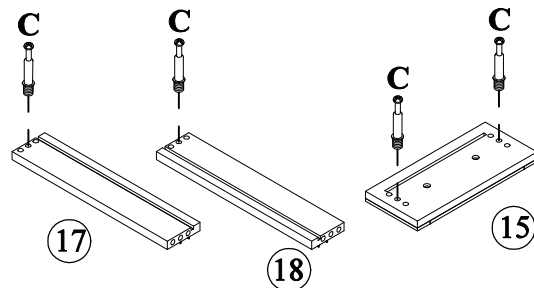
**O**



**12PCS**


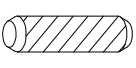
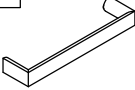
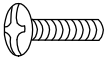


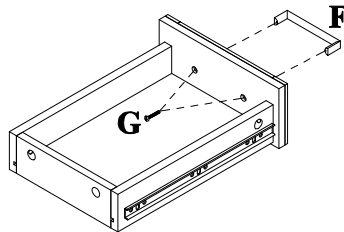
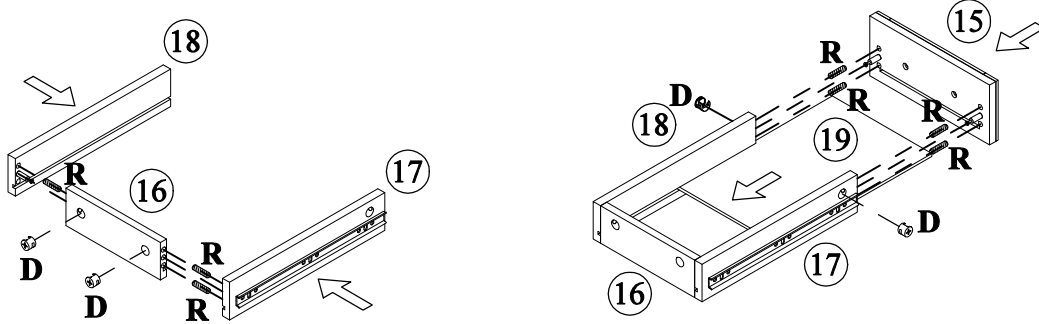
Turn over and install screw →



**x2**

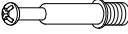


**STEP: 13**

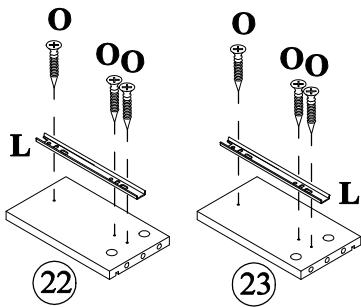
<b>D</b>		<b>R</b>		<b>F</b>		<b>G</b>	
<b>8PCS</b>		<b>16PCS</b>		<b>2PCS</b>		<b>4PCS</b>	



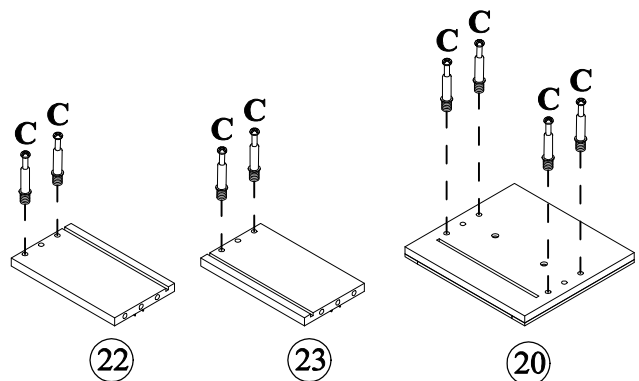
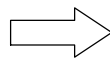
**x2**

**STEP: 14**

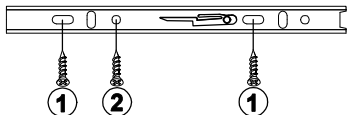
<b>C</b>		<b>L</b>		<b>O</b>	
<b>8PCS</b>		<b>2PCS</b>		<b>6PCS</b>	




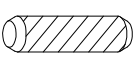
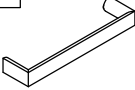
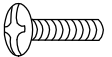
Turn over and install screw

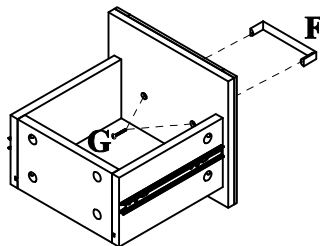
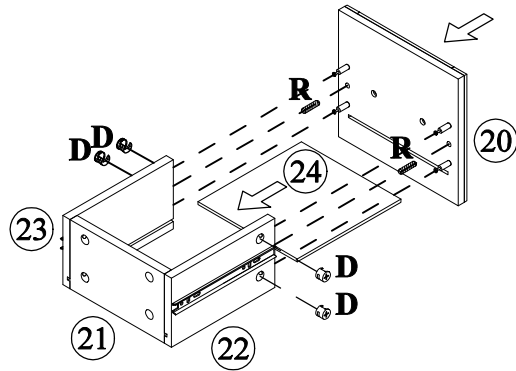
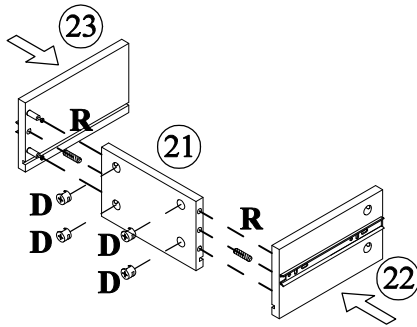


POSITION OF SCREW (L)

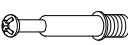




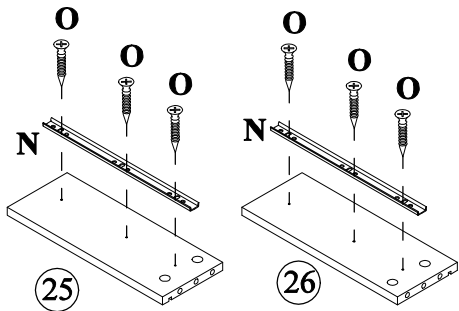
# STEP: 15

<b>D</b>		<b>R</b>		<b>F</b>		<b>G</b>	
<b>8PCS</b>		<b>4PCS</b>		<b>1PC</b>		<b>2PCS</b>	

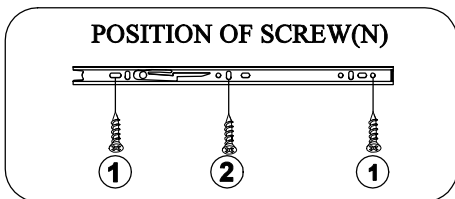
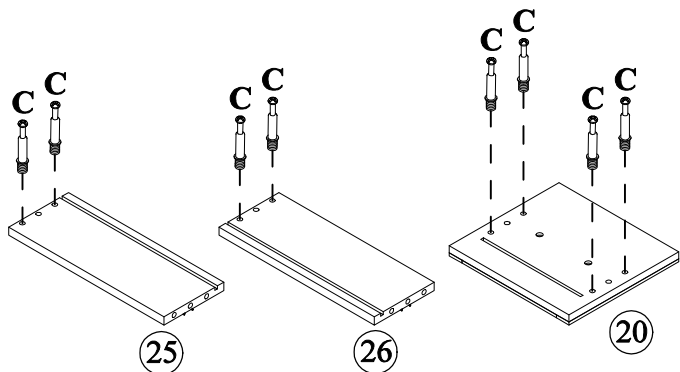
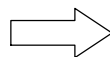


# STEP: 16


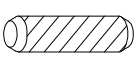
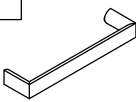
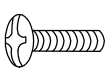
<b>C</b>		<b>N</b>		<b>O</b>	
<b>8PCS</b>		<b>2PCS</b>		<b>6PCS</b>	

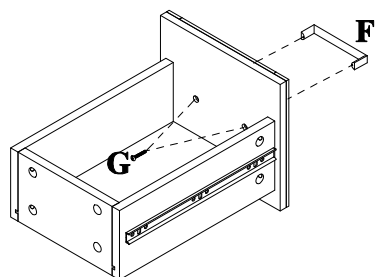
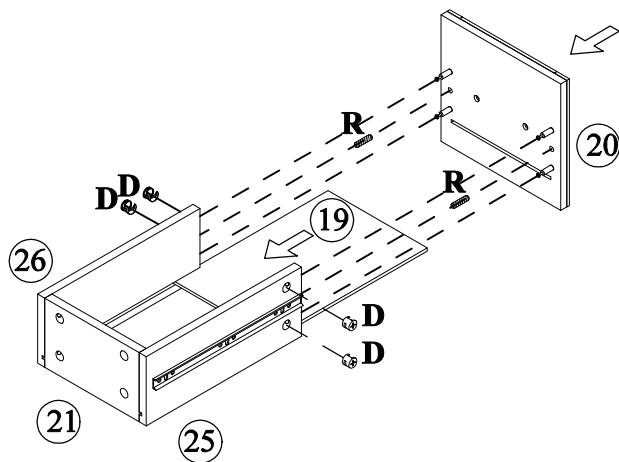
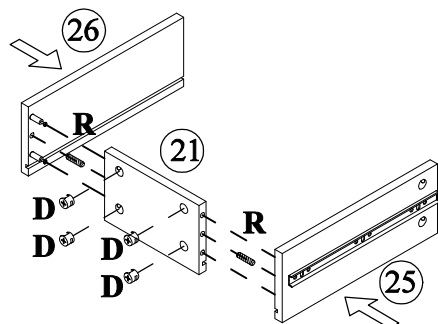


Turn over and install screw

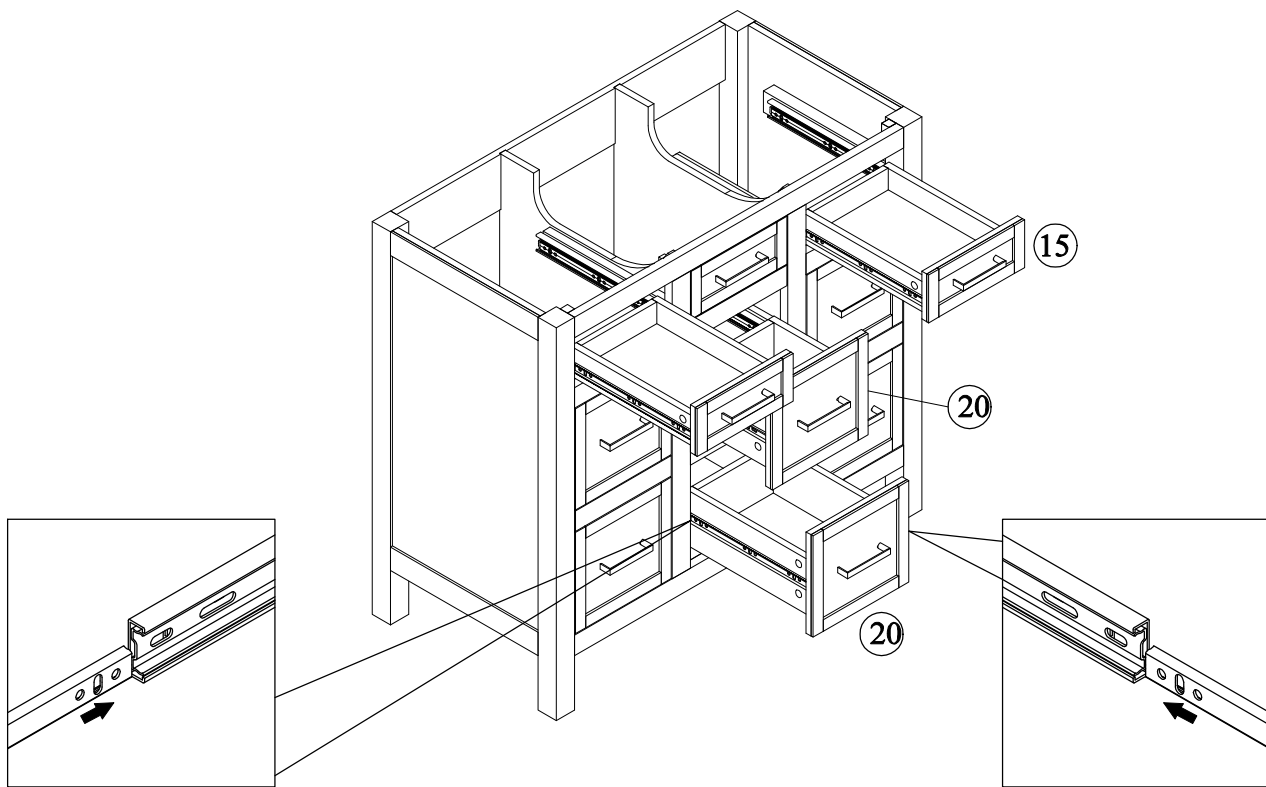


### STEP: 17

<b>D</b>		<b>R</b>		<b>F</b>		<b>G</b>	
<b>8PCS</b>		<b>4PCS</b>		<b>1PC</b>		<b>2PCS</b>	

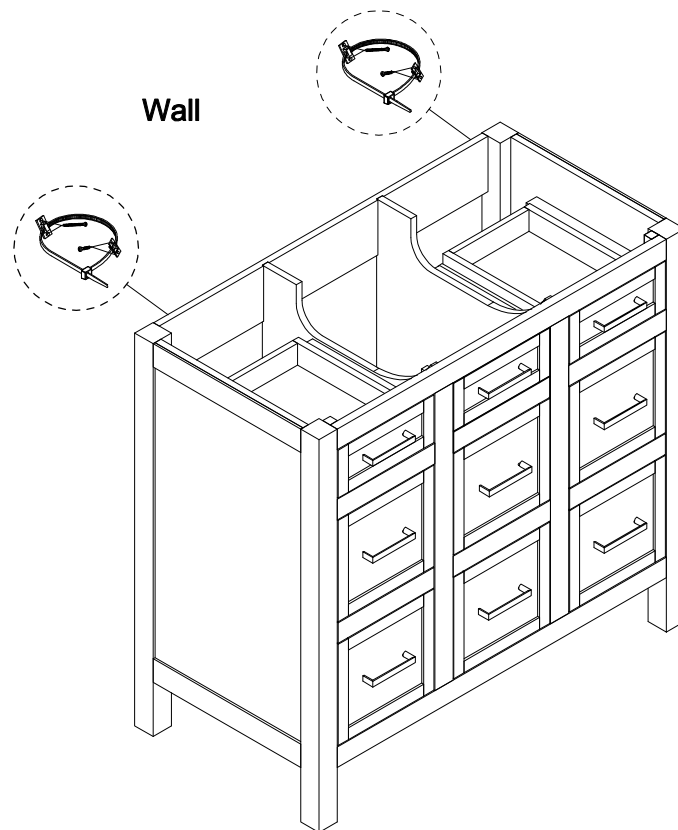
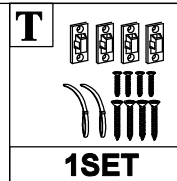


### STEP: 18



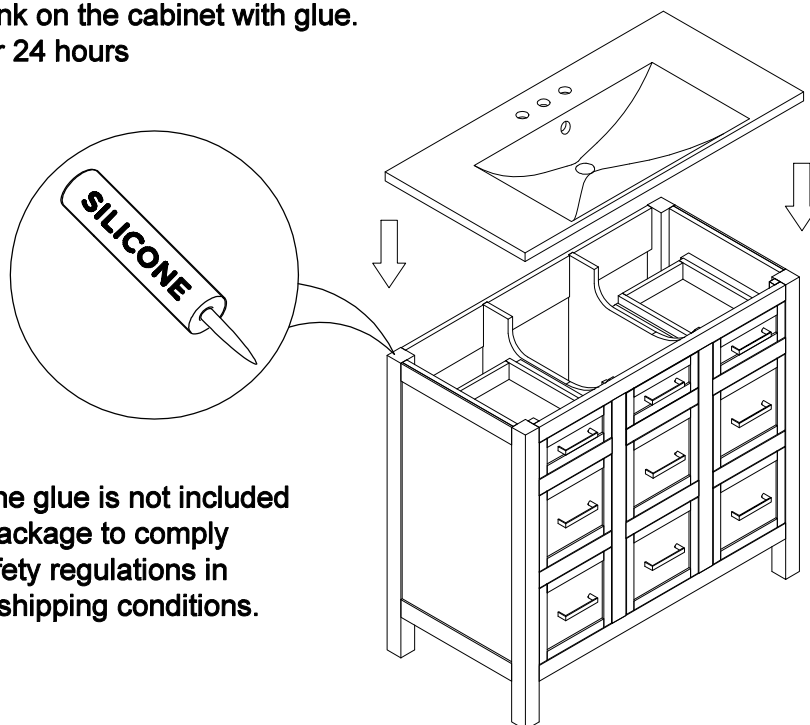


## **STEP: 19**



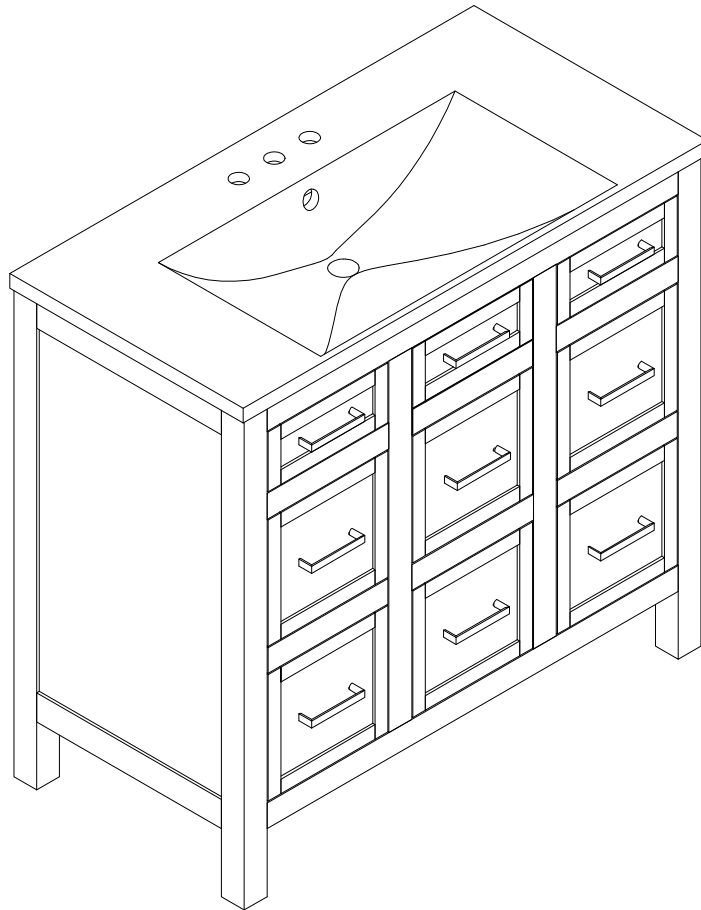
## **STEP: 20**

Install the sink on the cabinet with glue.  
Let stand for 24 hours

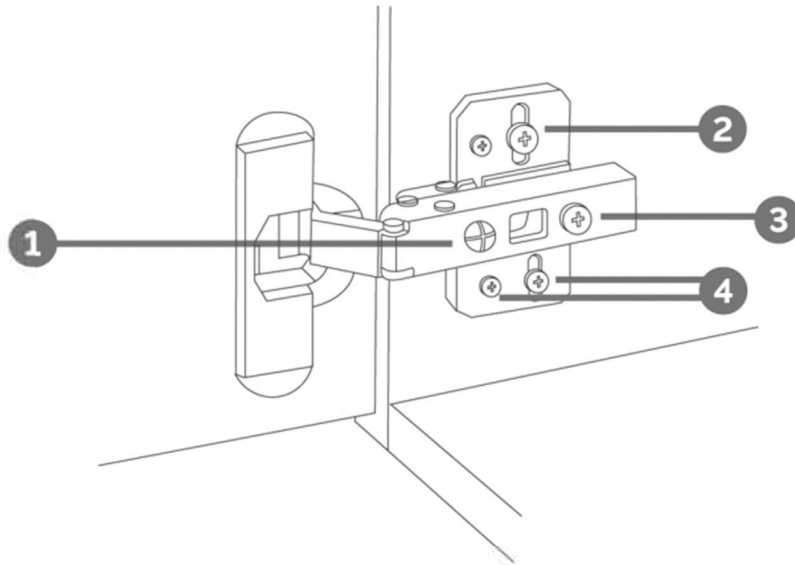


\*Silicone glue is not included  
in the package to comply  
with safety regulations in  
certain shipping conditions.

**STEP: 21**

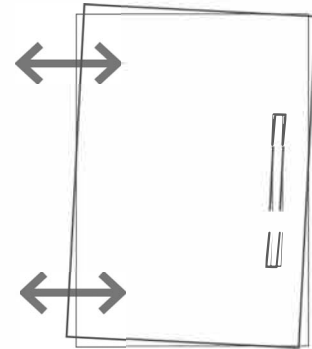


# HINGE ADJUSTMENTS



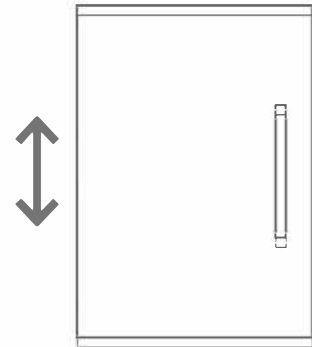
## 1 Sideways / Tilt adjustment

Turn the screw  
**clockwise** to move the door further away from  
the side of the cabinet  
**anticlockwise** to move the door closer to the  
side of the cabinet



## 2 4 Height adjustment

While supporting the weight of the door, turn the  
screws  
**clockwise** to move the door up  
**anticlockwise** to move the door down



## 3 Forward and back adjustment

If the gap between the back of the door and the  
cabinet is too small, and the door may not close  
fully. Turn the screw  
**clockwise** to decrease the gap between the  
door and the cabinet  
**anticlockwise** to increase the gap between the  
door and the cabinet

