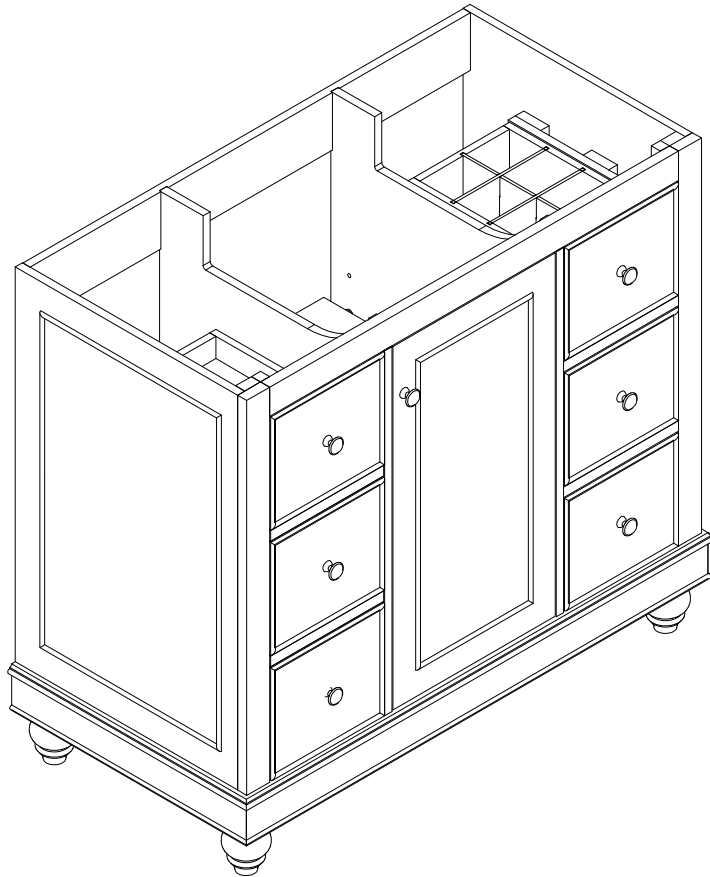


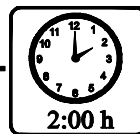
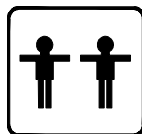
ASSEMBLY INSTRUCTIONS

BATH VANITY-CABINET

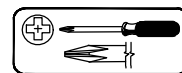


Thank you for purchasing this quality product. Be sure to check all packing material carefully for small parts which may have come loose inside the carton during shipment. Separate, identify and count all parts and hardware. Compare with the parts list to be sure all parts are present.
"DO NOT TIGHTEN SCREWS UNTIL COMPLETELY ASSEMBLED"

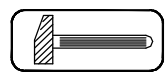
*** Use of power tool to assemble this product will invalidate any claim and damage this product making unsafe !!!**
*** Please assemble on a clean soft surface to avoid damage.**



Tools Required



(Not included)



(Not included)

IMPORTANT:

PLEASE READ INSTRUCTION BEFORE STARTING THE ASSEMBLY

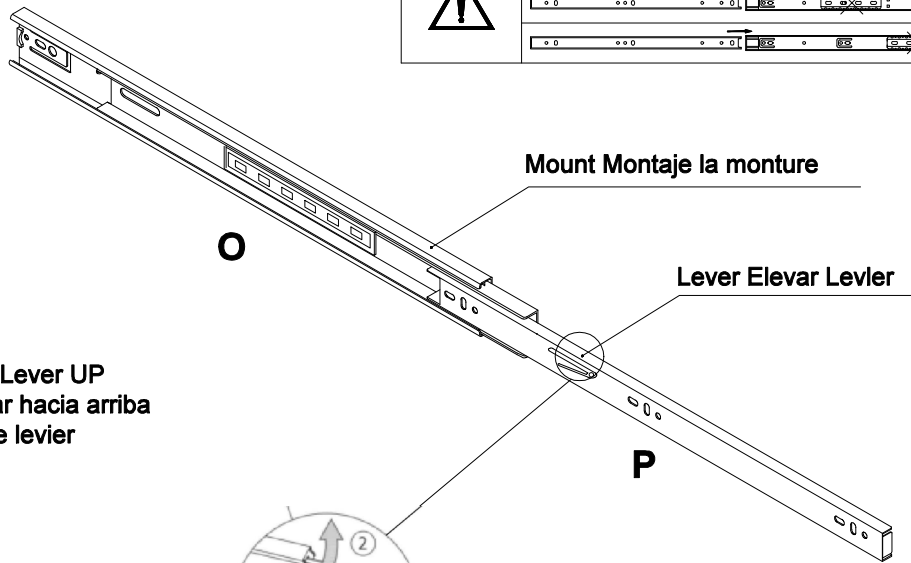
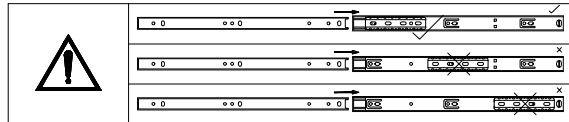
**Slides Must Be Separated Before Assembly.
After Separated, Set Aside Until Needed for Assembly.**

Las diapositivas deben separarse antes del montaje.
Después de la separación, déjelo a un lado hasta que sea necesario.

Les glissières doivent être séparées avant l'assemblage.
Après la séparation, mettez de côté jusqu'au moment de l'assemblage.

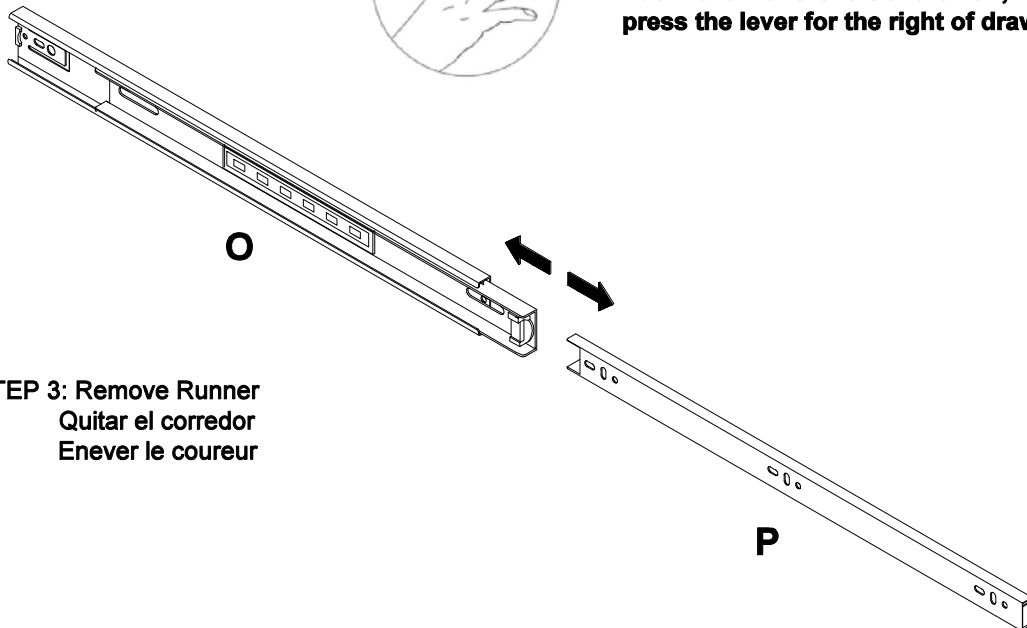
**Pay attention when connecting !
The sliding module must be at the front end.**

**STEP 1 : Extend Slide
Extender la diapositiva**



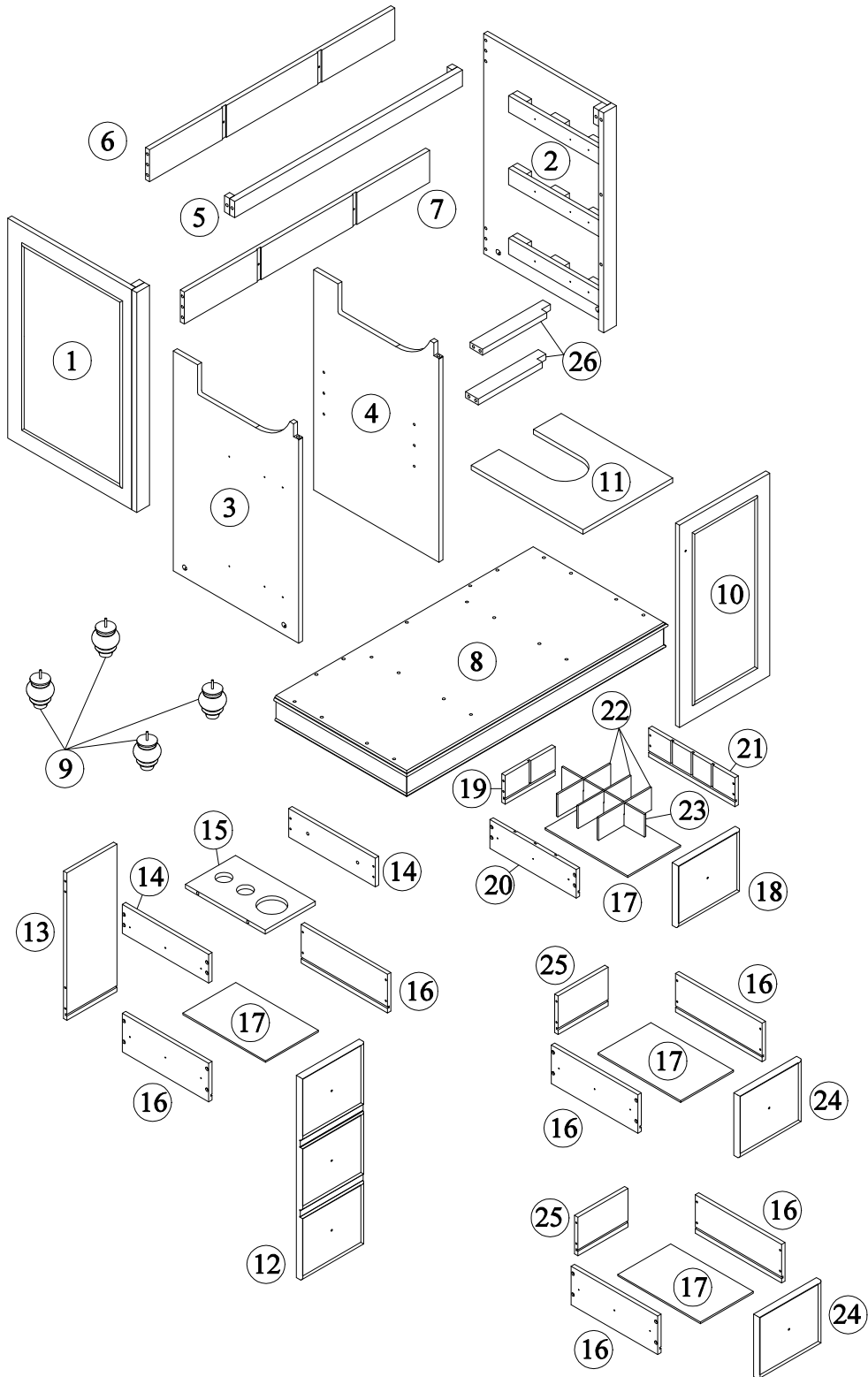
**STEP 2: Push Lever UP
Empujar hacia arriba
Lever le levier**

**Push lever for the left of drawer ,
press the lever for the right of drawer.**



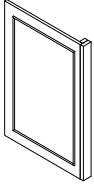
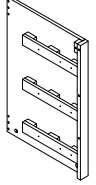
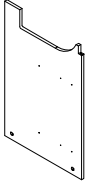
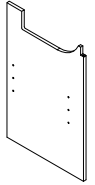
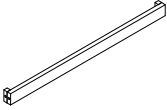
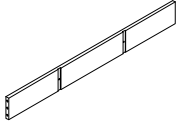
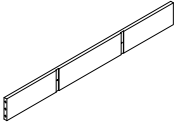
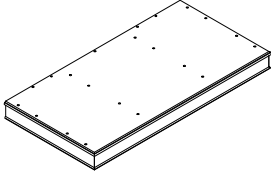

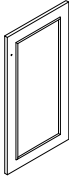
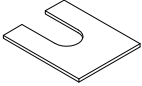
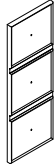

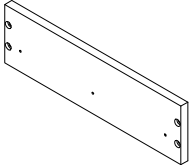
**STEP 3: Remove Runner
Quitar el corredor
Enlever le coureur**

Detail View - CABINET

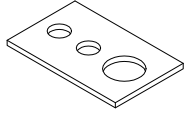
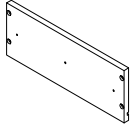
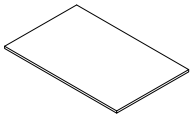
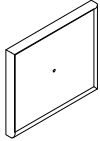
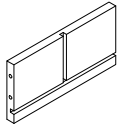
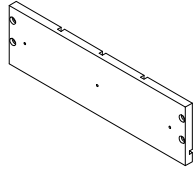
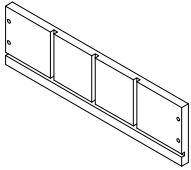
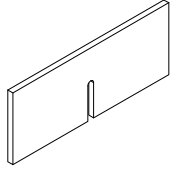
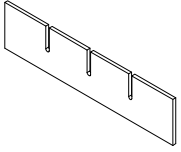
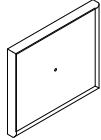
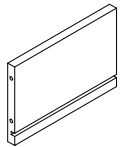
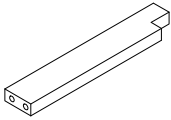


Identifying the Hardware-Identify the hardware using the illustrations below.



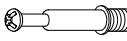




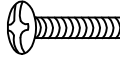
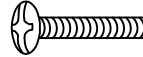


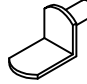
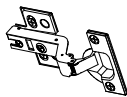
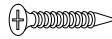
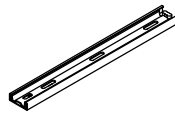
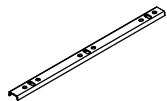
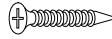



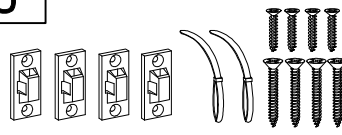
Part List - WF311076

<p>1</p>  <p>Side Panel (L) - 1pc</p>	<p>2</p>  <p>Side Panel (R) - 1pc</p>
<p>3</p>  <p>Panel Mid (L) - 1pc</p>	<p>4</p>  <p>Panel Mid (R) - 1pc</p>
<p>5</p>  <p>Front Crossbar Top - 1pc</p>	<p>6</p>  <p>Rear Panel Top - 1pc</p>
<p>7</p>  <p>Rear Panel Bottom - 1pc</p>	<p>8</p>  <p>Frame Bottom - 1pc</p>
<p>9</p>  <p>Foot Cabinet - 4pcs</p>	<p>10</p>  <p>Door Cabinet - 1pc</p>
<p>11</p>  <p>Adjustable Shelf - 1pc</p>	<p>12</p>  <p>Left Drawer Face - 1pc</p>
<p>13</p>  <p>Left Drawer Panel Rear - 1pc</p>	<p>14</p>  <p>Left Drawer Panel Side - 2pcs</p>

Part List - WF311076

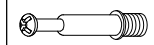
<p>15</p>  <p>Panel Circle - 1pc</p>	<p>16</p>  <p>Drawer Panel Side - 6pcs</p>
<p>17</p>  <p>Panel Bottom - 4pcs</p>	<p>18</p>  <p>Right Drawer Face(A) - 1pc</p>
<p>19</p>  <p>Right Drawer Panel Rear (A) - 1pc</p>	<p>20</p>  <p>Left Drawer Panel Side - 1pc</p>
<p>21</p>  <p>Right Drawer Panel Side - 1pc</p>	<p>22</p>  <p>Drawer divide (A) - 3pcs</p>
<p>23</p>  <p>Drawer divide (B) - 1pc</p>	<p>24</p>  <p>Right Drawer Face(B) - 2pcs</p>
<p>25</p>  <p>Right Drawer Panel Rear(B)- 2pcs</p>	<p>26</p>  <p>Crossbar Mid - 2pcs</p>

Hardware List - WF311076

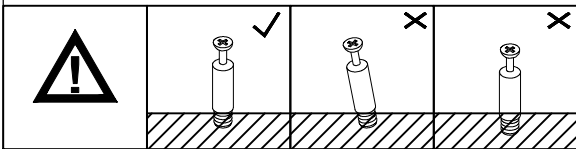
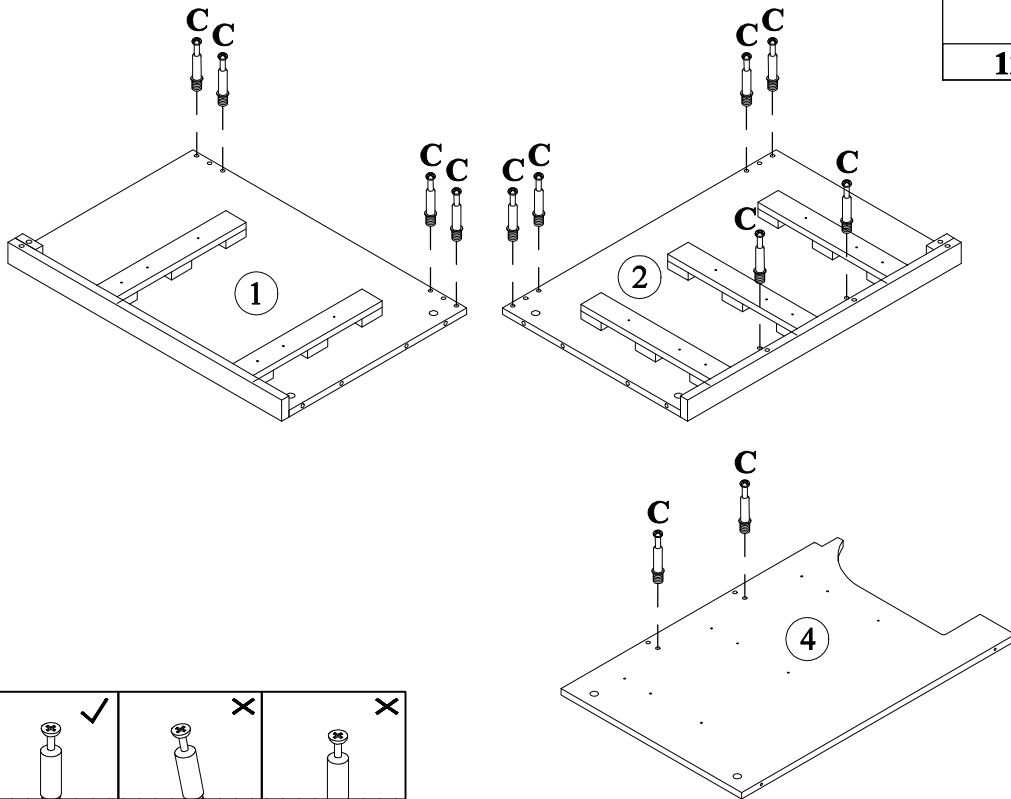
<p>A</p>  <p>$\phi 13 \times 1/4" \times 28 \text{mm}$ Hex-Head bolts (2pcs)</p>	<p>B</p>  <p>$\phi 1/4" \times 16 \times 1 \text{mm}$ Washer (2pcs)</p>	<p>C</p>  <p>$\phi 6 \times 35 \text{mm}$ Three in one bolts (23pcs)</p>
<p>D</p>  <p>$\phi 14.5 \times 12 \text{mm}$ Three in one lock (23pcs)</p>	<p>E</p>  <p>$\phi 8 \times \phi 4 \times 25 \text{mm}$ Round head screw (4pcs)</p>	<p>F</p>  <p>$\phi 8 \times \phi 4 \times 32 \text{mm}$ Round head screw (40pcs)</p>
<p>G</p>  <p>Handle (7pcs)</p>	<p>H</p>  <p>$\phi 5/32" \times 15 \text{mm}$ Handle screw (4pcs)</p>	<p>I</p>  <p>$\phi 5/32" \times 28 \text{mm}$ Handle screw (3pcs)</p>
<p>J</p>  <p>L-Bracket (2pcs)</p>	<p>K</p>  <p>$\phi 7 \times \phi 3.5 \times 12 \text{mm}$ Round head screw (4pcs)</p>	<p>L</p>  <p>Laminate pad (4pcs)</p>
<p>M</p>  <p>Damping hinge (2pcs)</p>	<p>N</p>  <p>$\phi 7 \times \phi 3.5 \times 15 \text{mm}$ Flat head screw (12pcs)</p>	<p>O</p>  <p>$\phi 300 \times 35 \text{mm}$ Slide rails (10pcs)</p>
<p>P</p>  <p>Slide rails (10pcs)</p>	<p>Q</p>  <p>$\phi 6 \times \phi 3 \times 12 \text{mm}$ $\phi 298 \times 18 \text{mm}$ Flat head screw (60pcs)</p>	<p>R</p>  <p>$\phi 8 \times 30 \text{mm}$ Wood dowel (22pcs)</p>
<p>S</p>  <p>$\phi 6 \times 30 \text{mm}$ Wood dowel (4pcs)</p>	<p>T</p>  <p>4mm Allen key (1pc)</p>	<p>U</p>  <p>Anti fall hardware (1set)</p>

STEP: 1

C



12PCS



STEP: 2

O

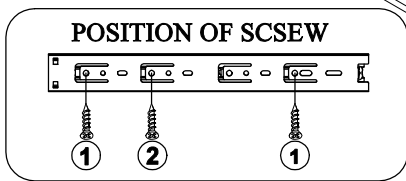
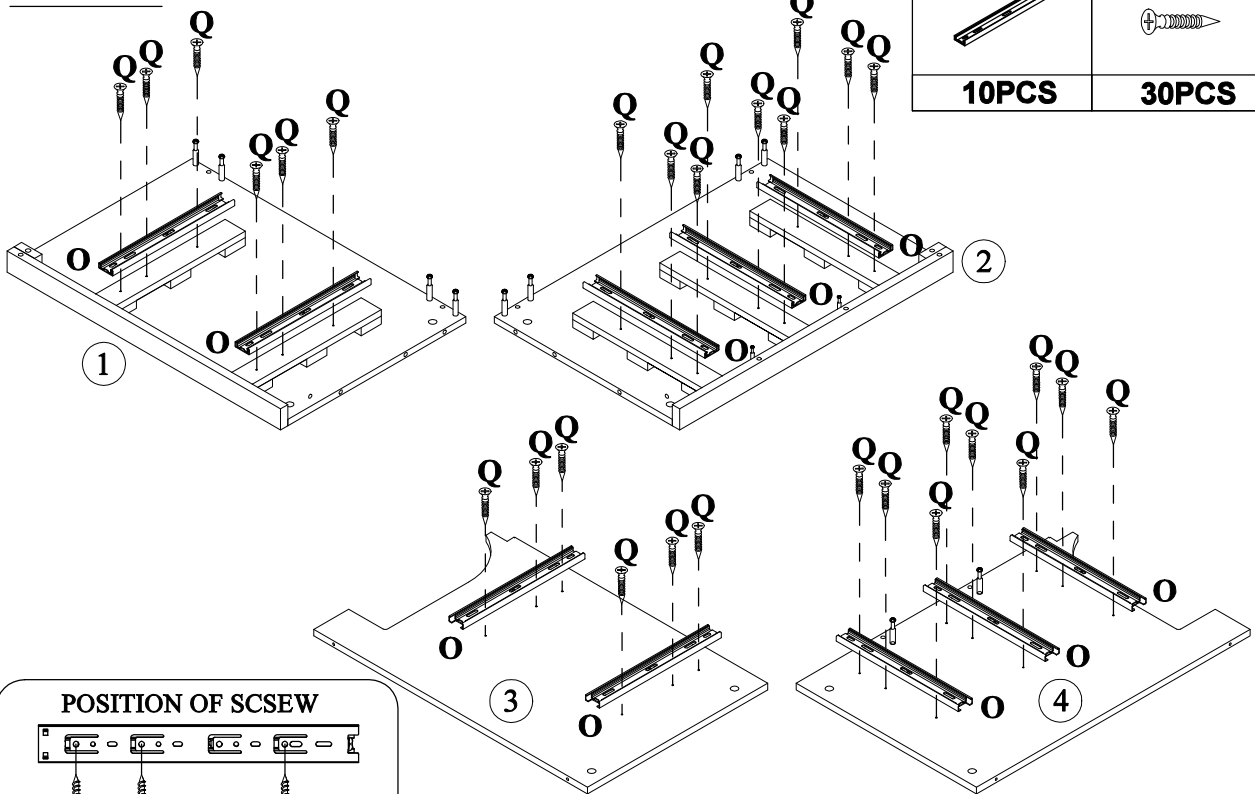


10PCS



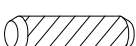
Q

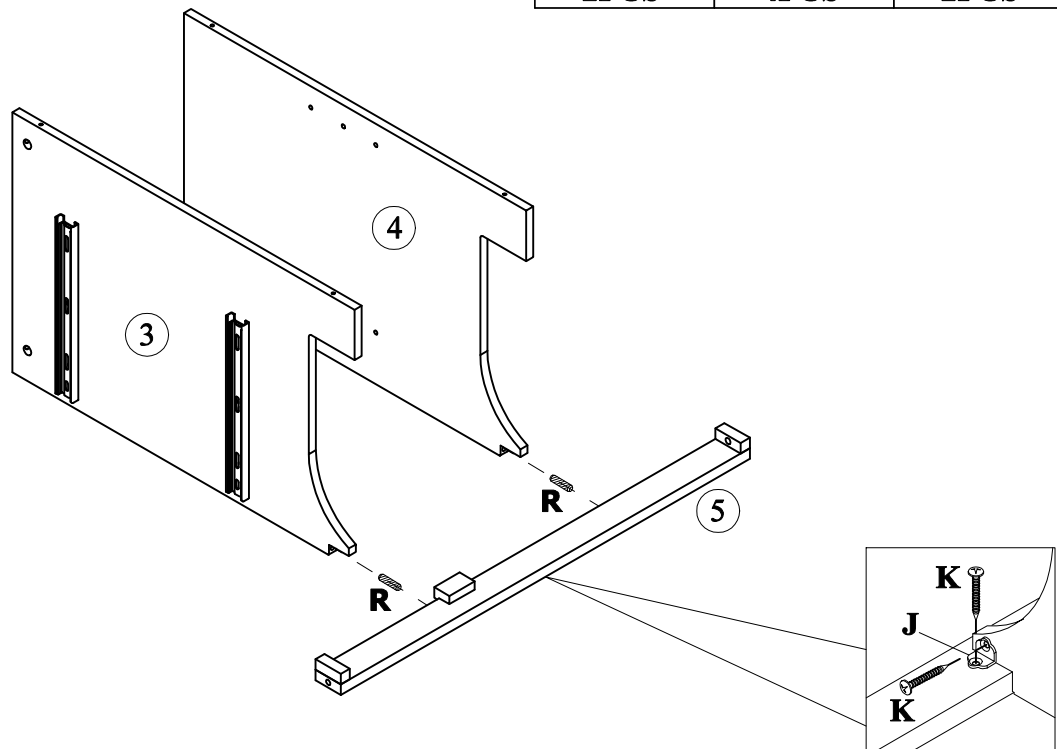


30PCS




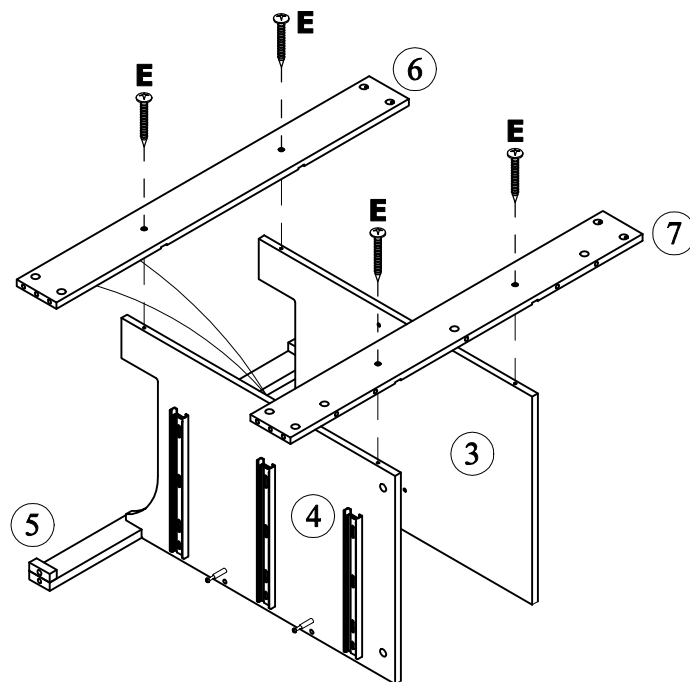
STEP: 3

J 	K 	R 
2PCS	4PCS	2PCS


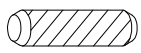


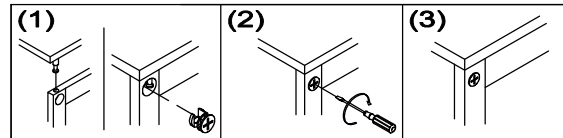
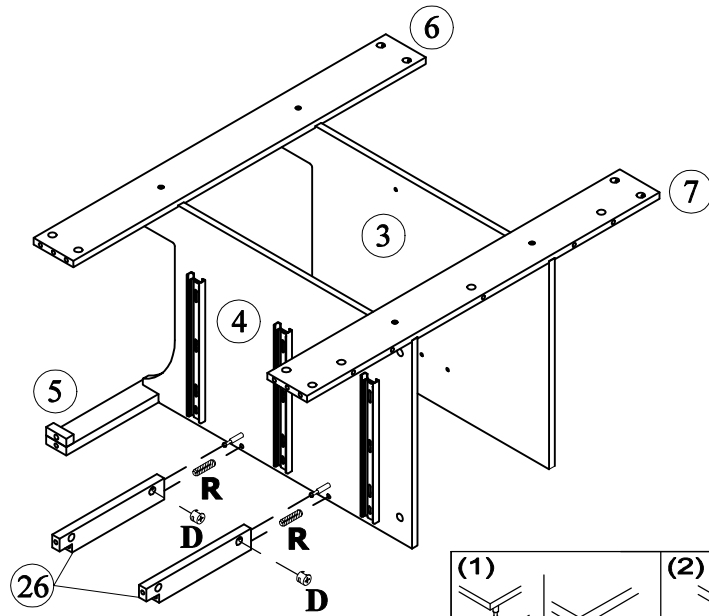
STEP: 4

E 
4PCS




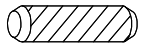


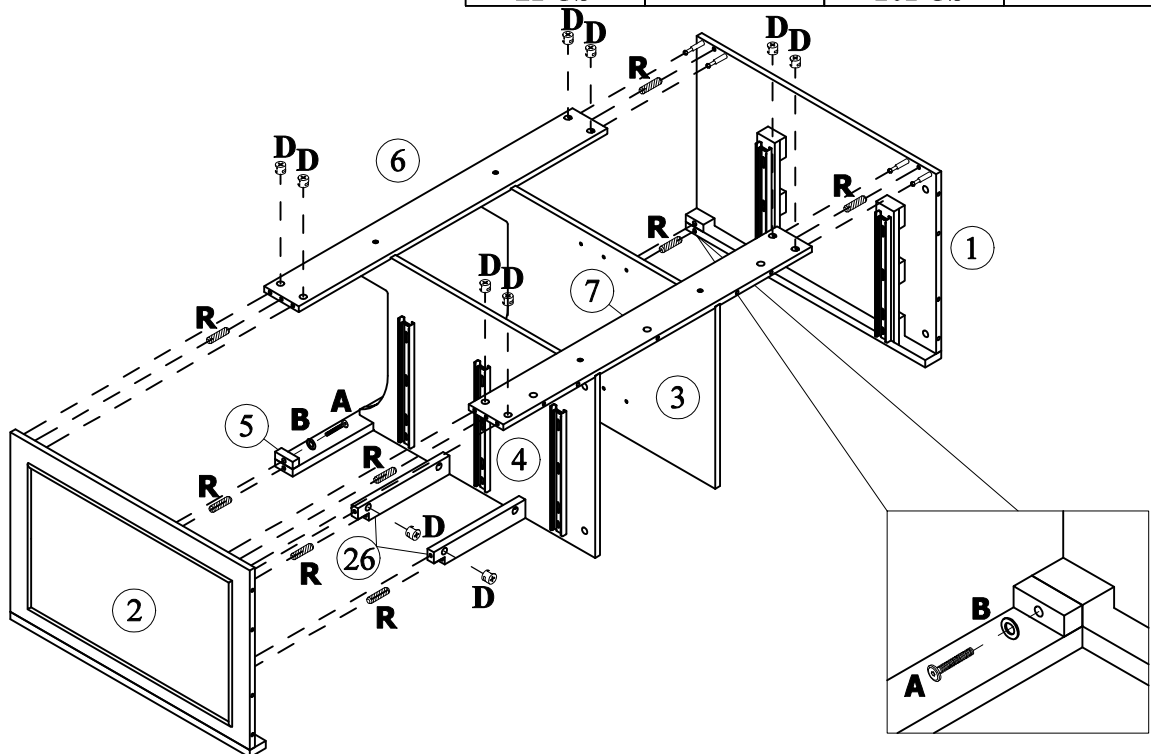
STEP: 5

D		R	
	2PCS		2PCS

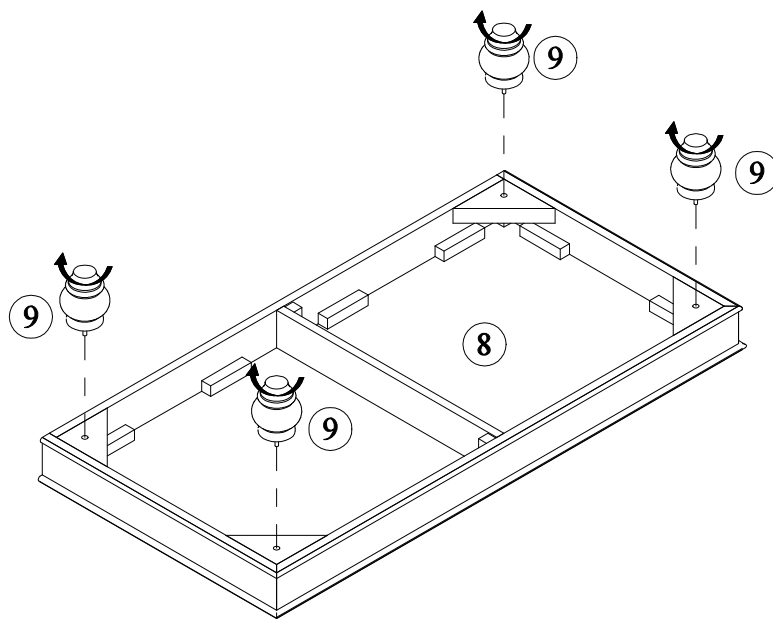


STEP: 6

A		B		D		R	
	2PCS		2PCS		10PCS		8PCS

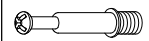


STEP: 7

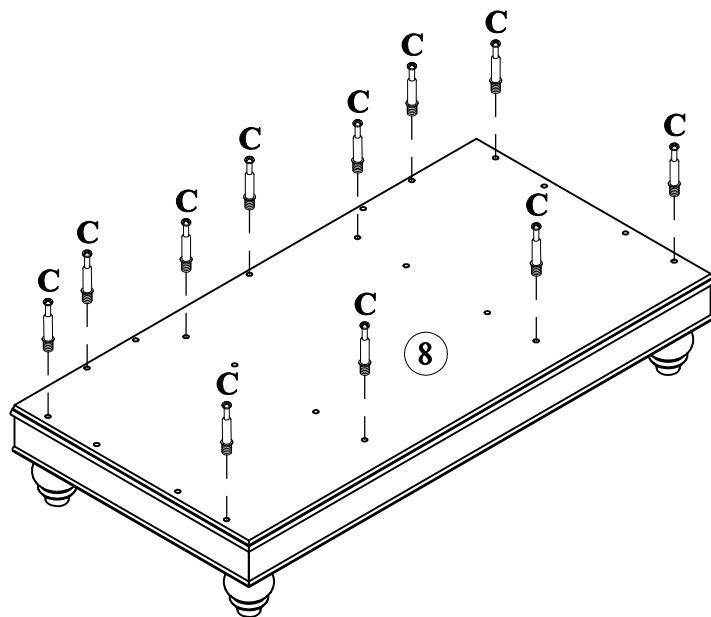


STEP: 8


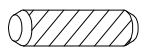
C

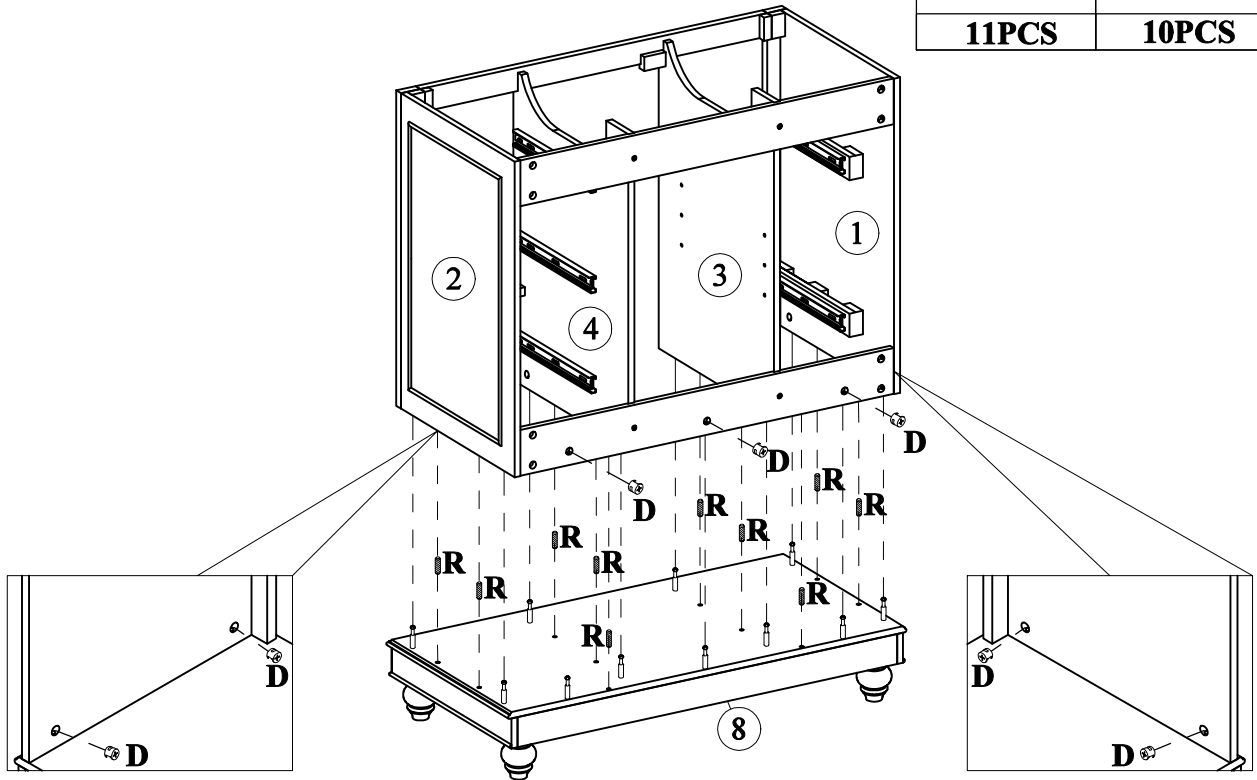


11PCS


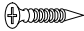


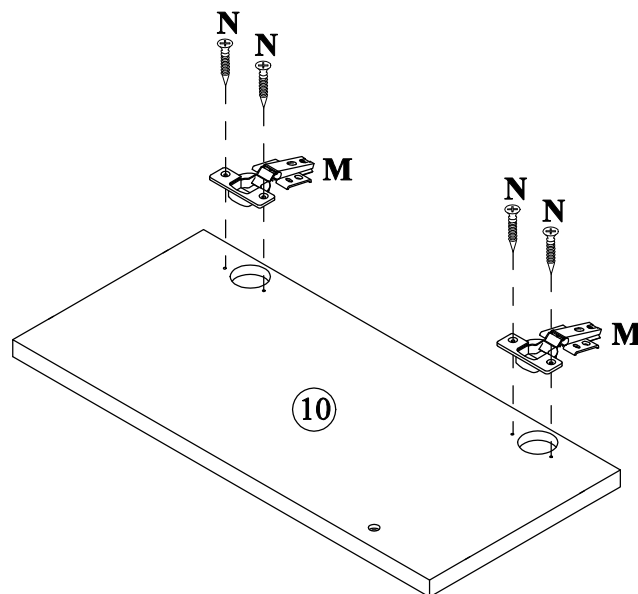
STEP: 9

D 	R 
11PCS	10PCS


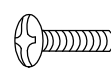



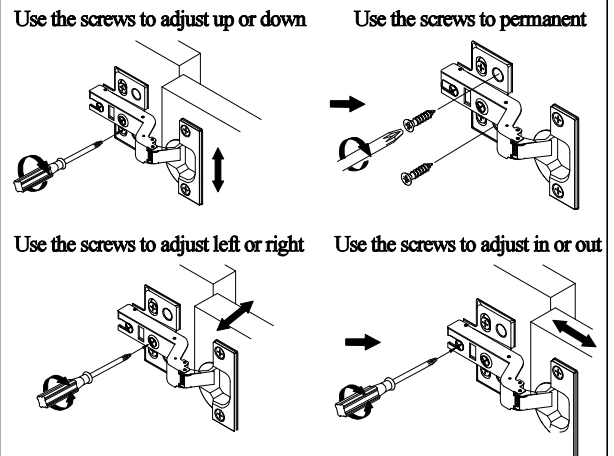
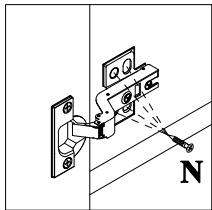
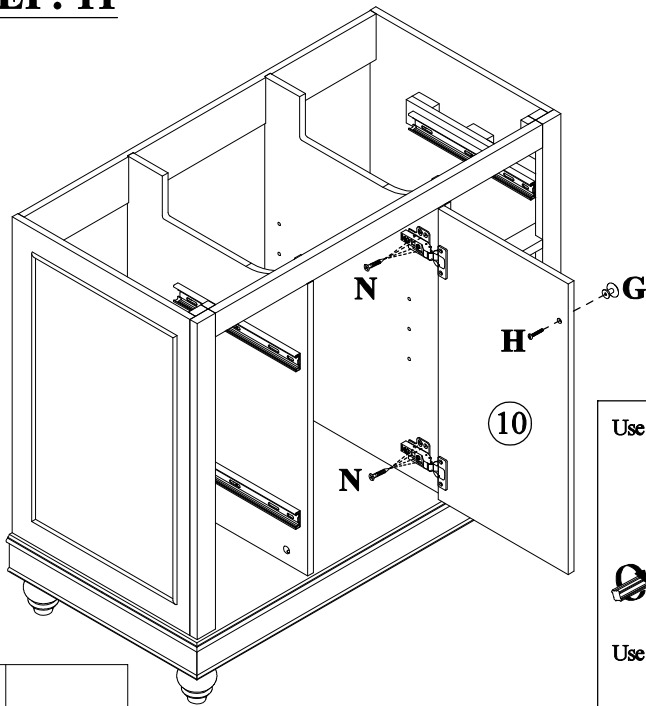
STEP: 10

M 	N 
2PCS	4PCS

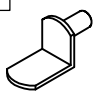


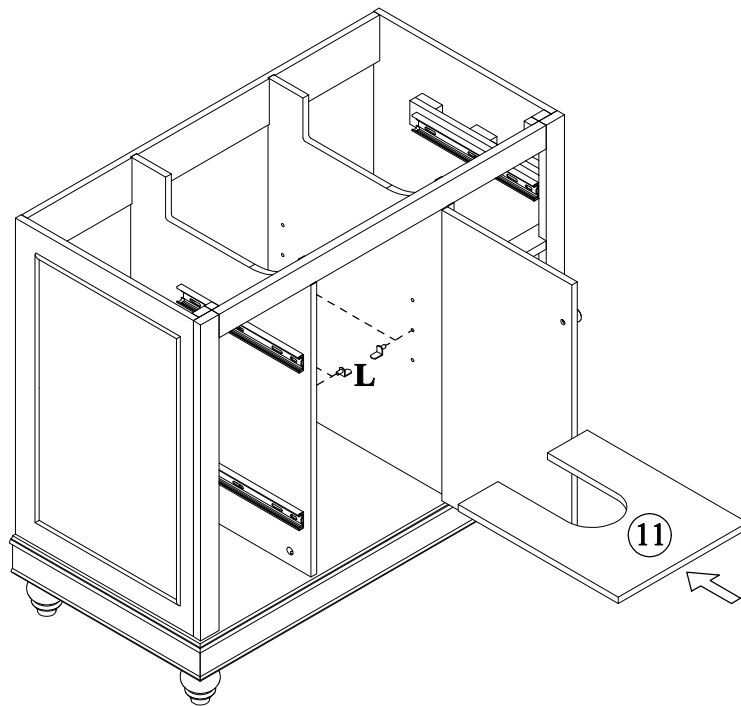
STEP: 11

G	H	N
		
1PC	1PC	8PCS



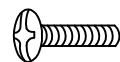
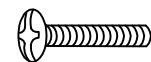
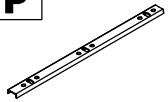



STEP: 12

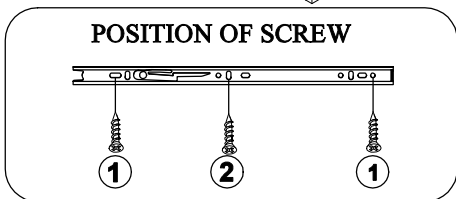
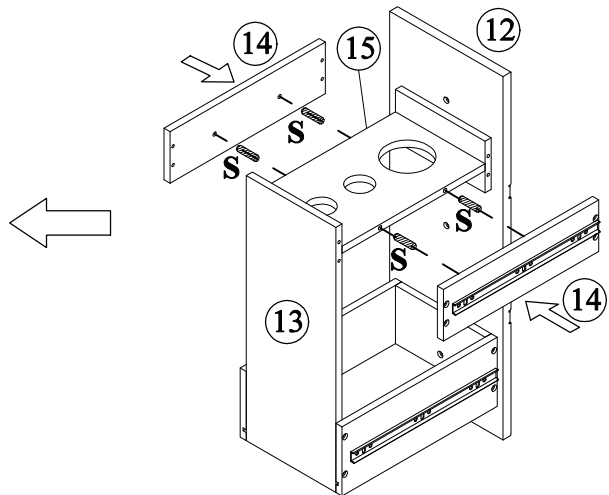
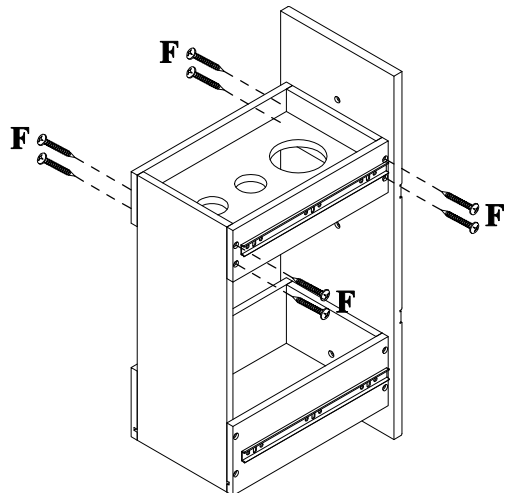
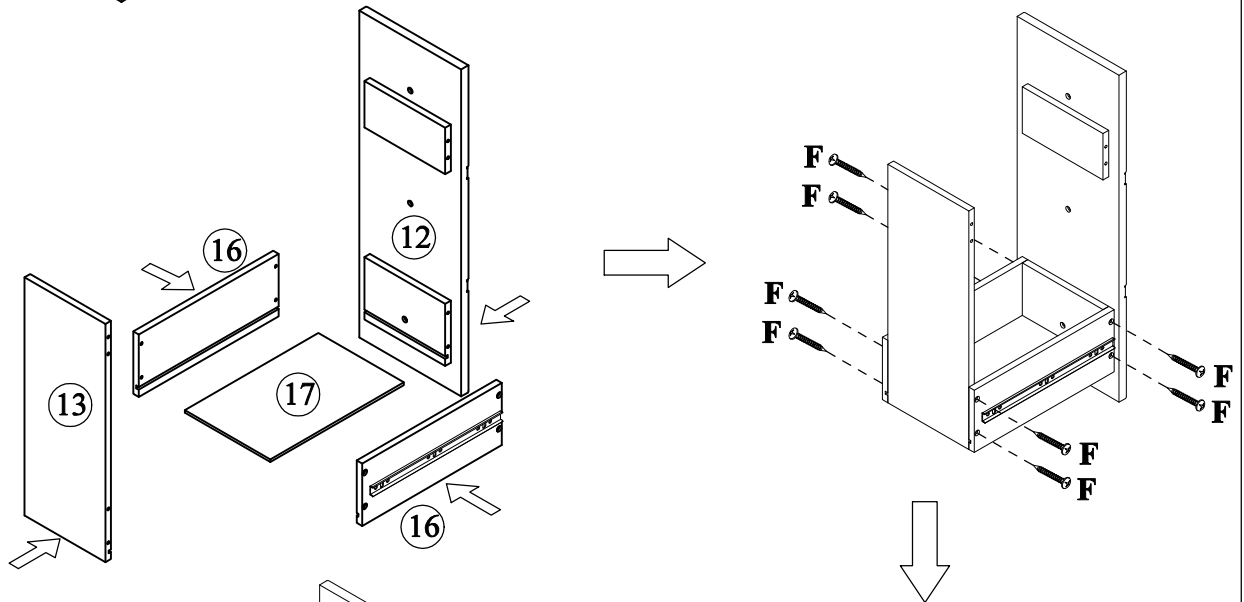
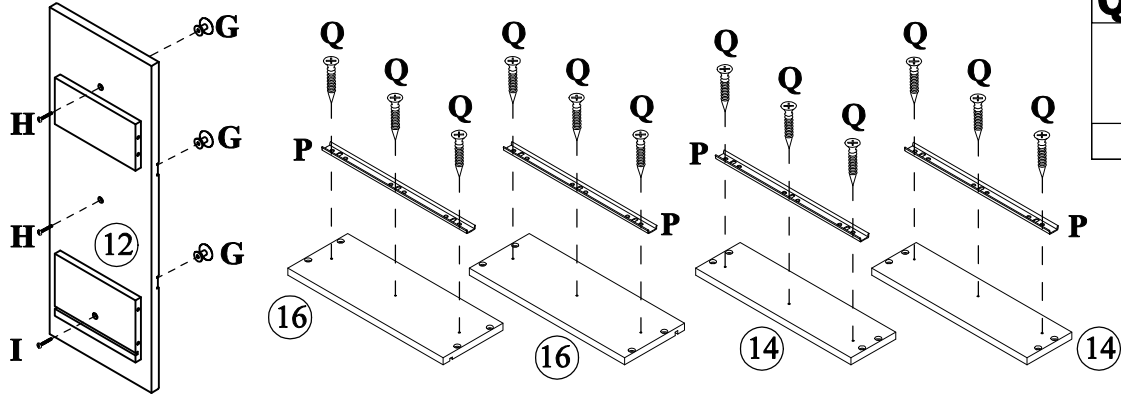
L

4PCS




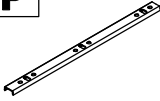


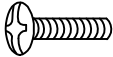
STEP: 13

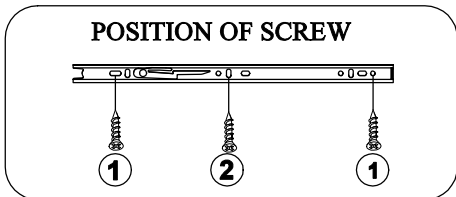
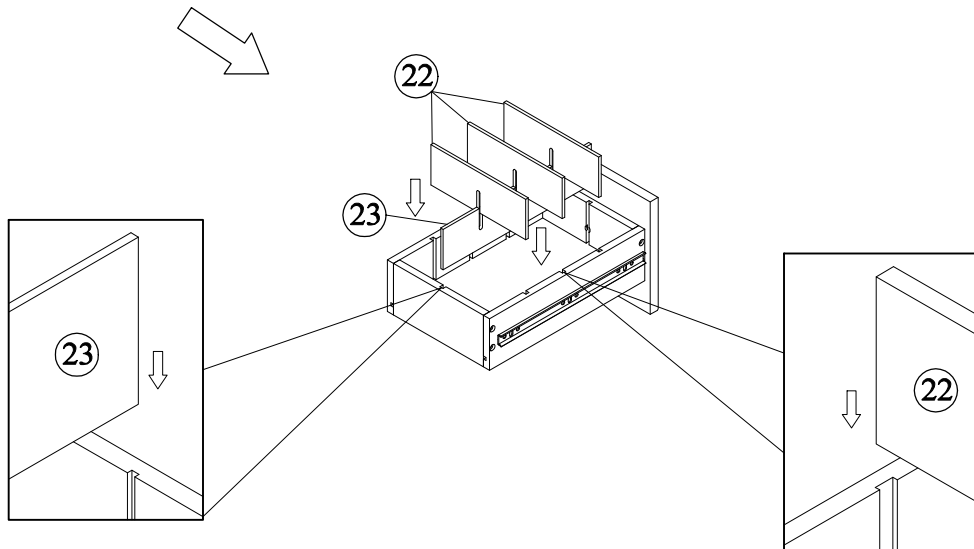
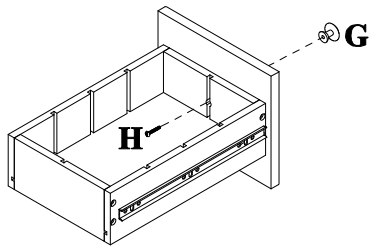
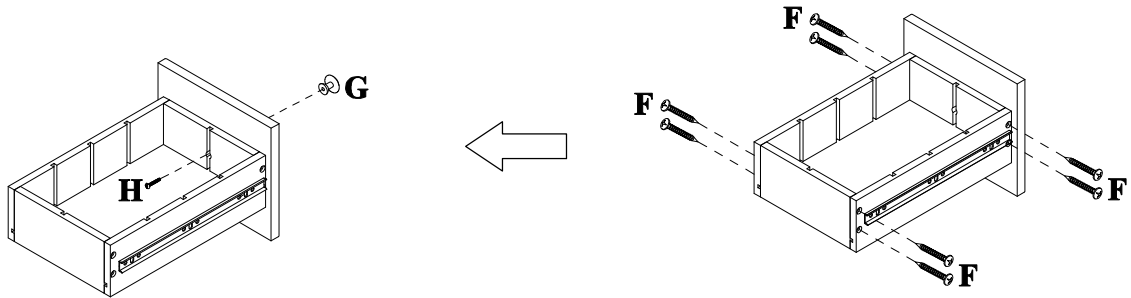
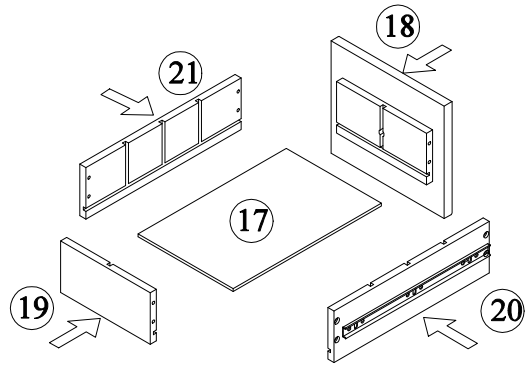
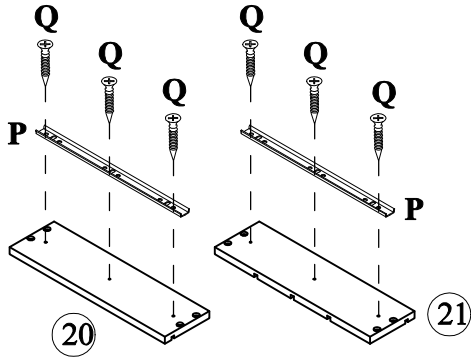
F 	G 	H 	I 	P 
16PCS	3PCS	2PCS	1PC	4PCS

Q 
12PCS


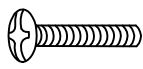

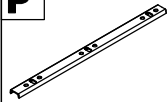
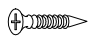


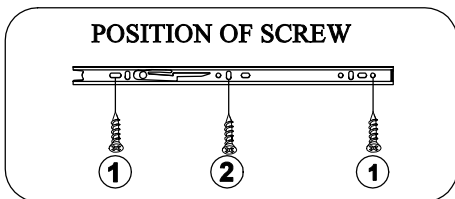
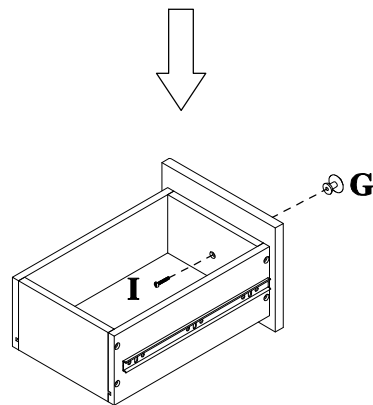
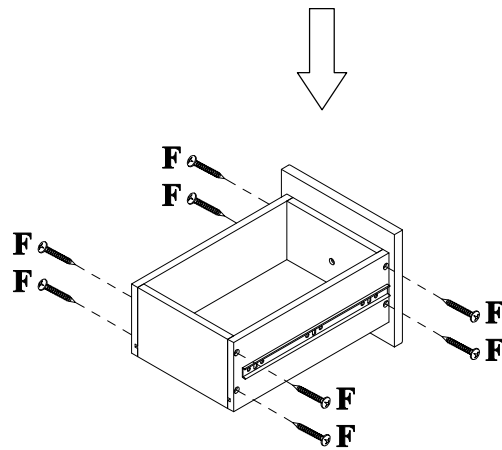
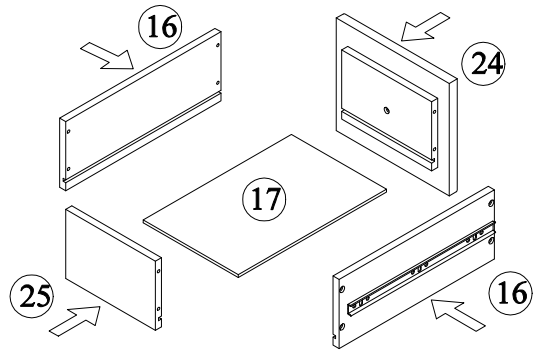
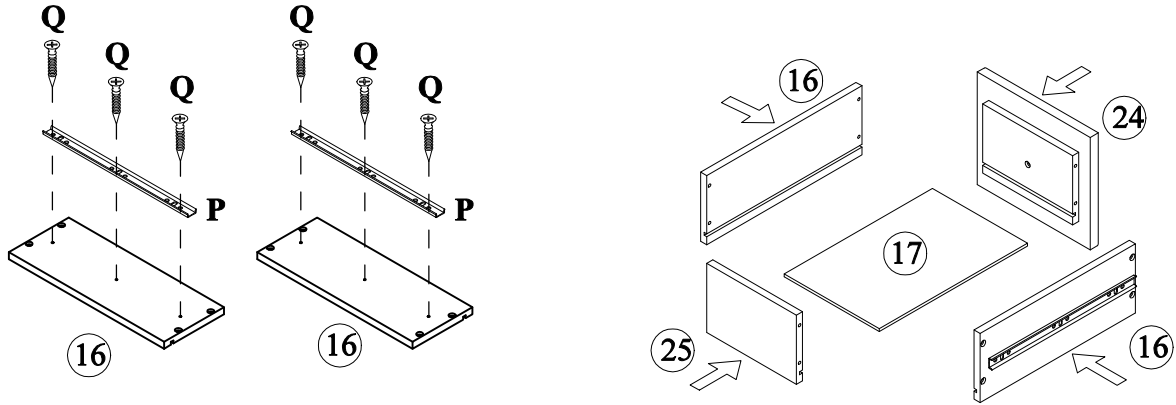
STEP: 14

F	P	Q	G	H
				
8PCS	2PCS	6PCS	1PC	1PC



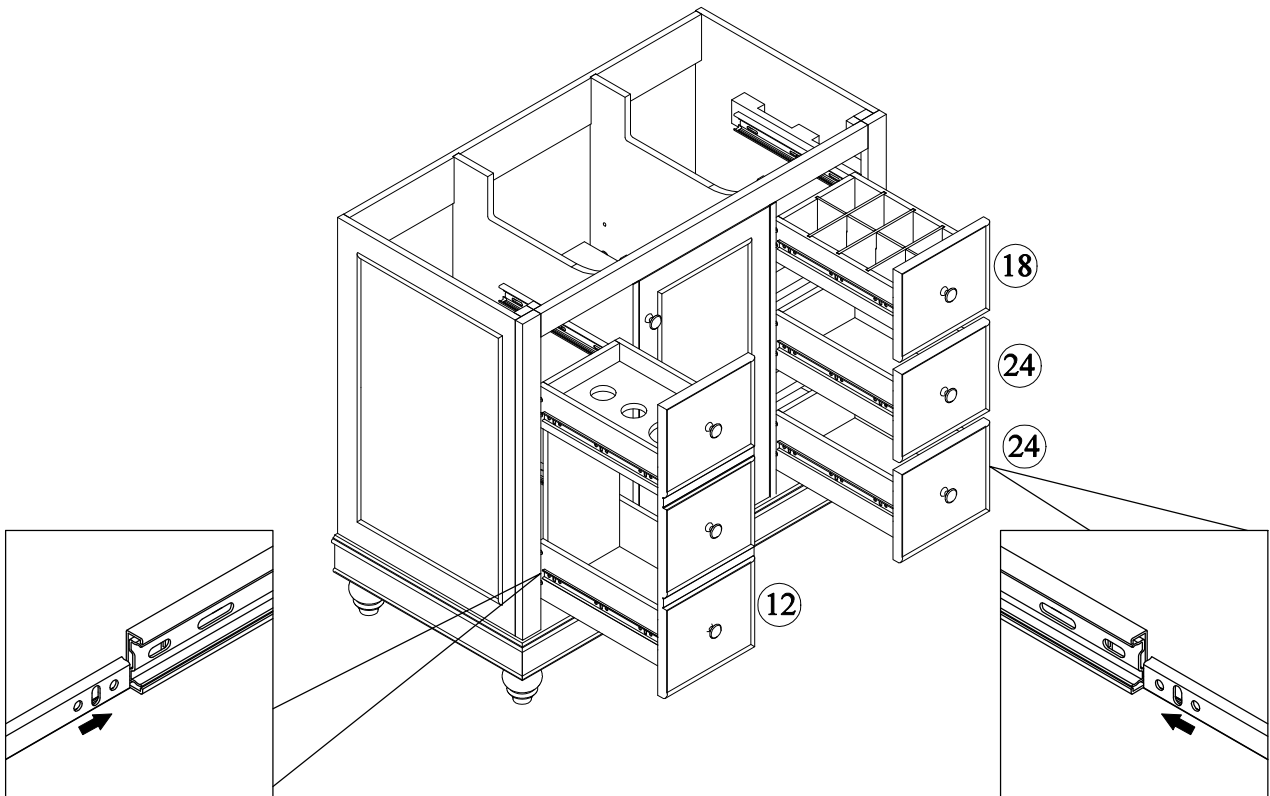
STEP: 15

G	I	F	P	Q
				
2PCS	2PCS	16PCS	4PCS	12PCS

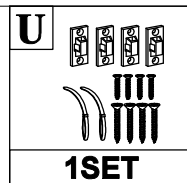
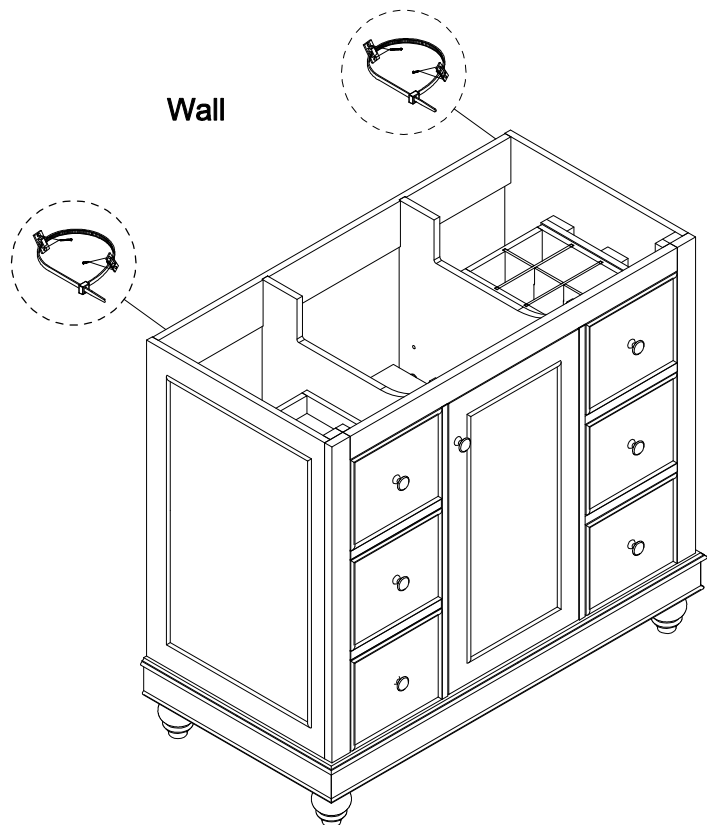


x2

STEP: 16

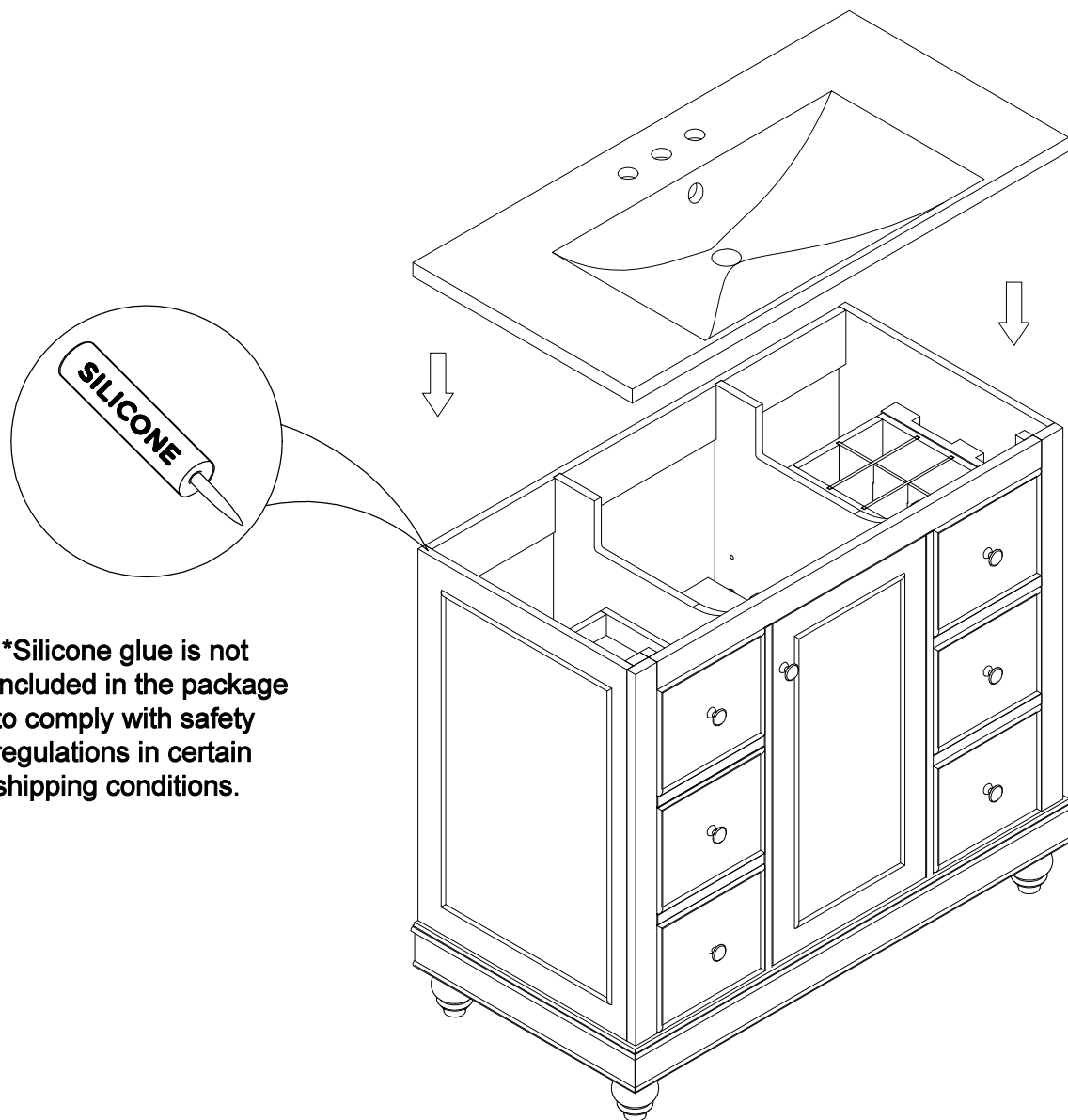


STEP: 17



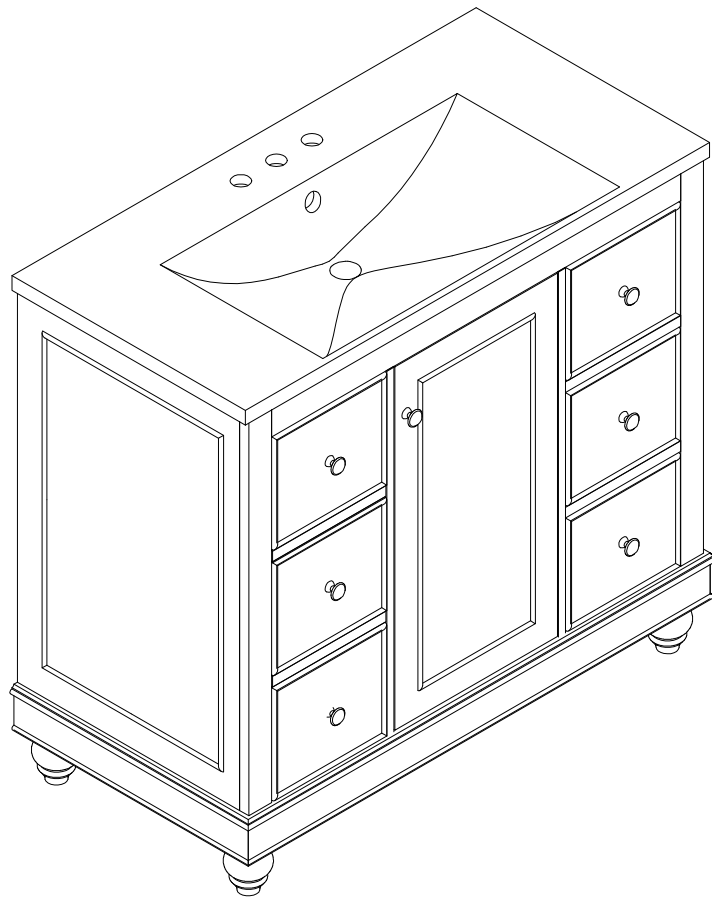
STEP: 18

**Install the sink on the cabinet with glue.
Let stand for 24 hours**

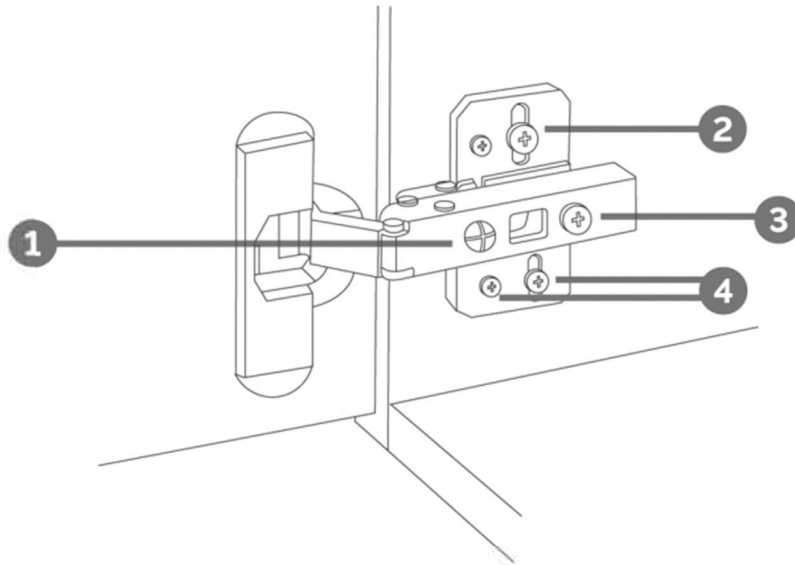


***Silicone glue is not included in the package to comply with safety regulations in certain shipping conditions.**

STEP: 19

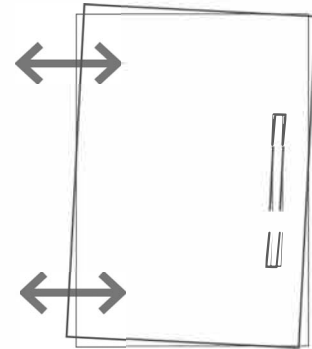


HINGE ADJUSTMENTS



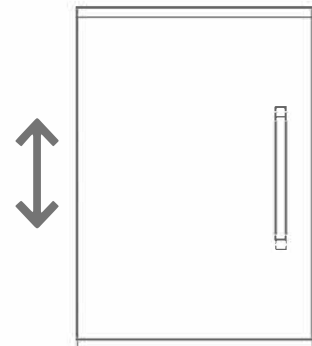
1 Sideways / Tilt adjustment

Turn the screw
clockwise to move the door further away from
the side of the cabinet
anticlockwise to move the door closer to the
side of the cabinet



2 4 Height adjustment

While supporting the weight of the door, turn the
screws
clockwise to move the door up
anticlockwise to move the door down



3 Forward and back adjustment

If the gap between the back of the door and the
cabinet is too small, and the door may not close
fully. Turn the screw
clockwise to decrease the gap between the
door and the cabinet
anticlockwise to increase the gap between the
door and the cabinet

