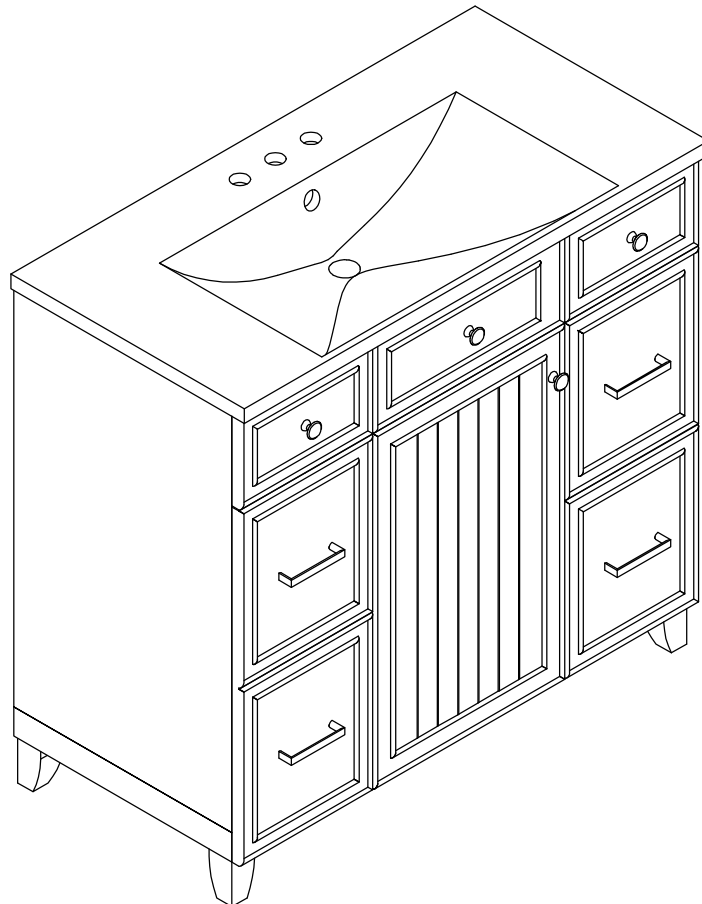


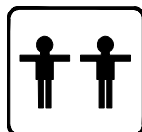
ASSEMBLY INSTRUCTIONS

36 INCH BATH VANITY-CABINET

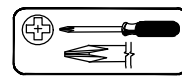


Thank you for purchasing this quality product. Be sure to check all packing material carefully for small parts which may have come loose inside the carton during shipment. Separate, identify and count all parts and hardware. Compare with the parts list to be sure all parts are present.
"DO NOT TIGHTEN SCREWS UNTIL COMPLETELY ASSEMBLED"

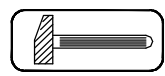
*** Use of power tool to assemble this product will invalidate any claim and damage this product making unsafe !!!**
*** Please assemble on a clean soft surface to avoid damage.**



Tools Required



(Not included)

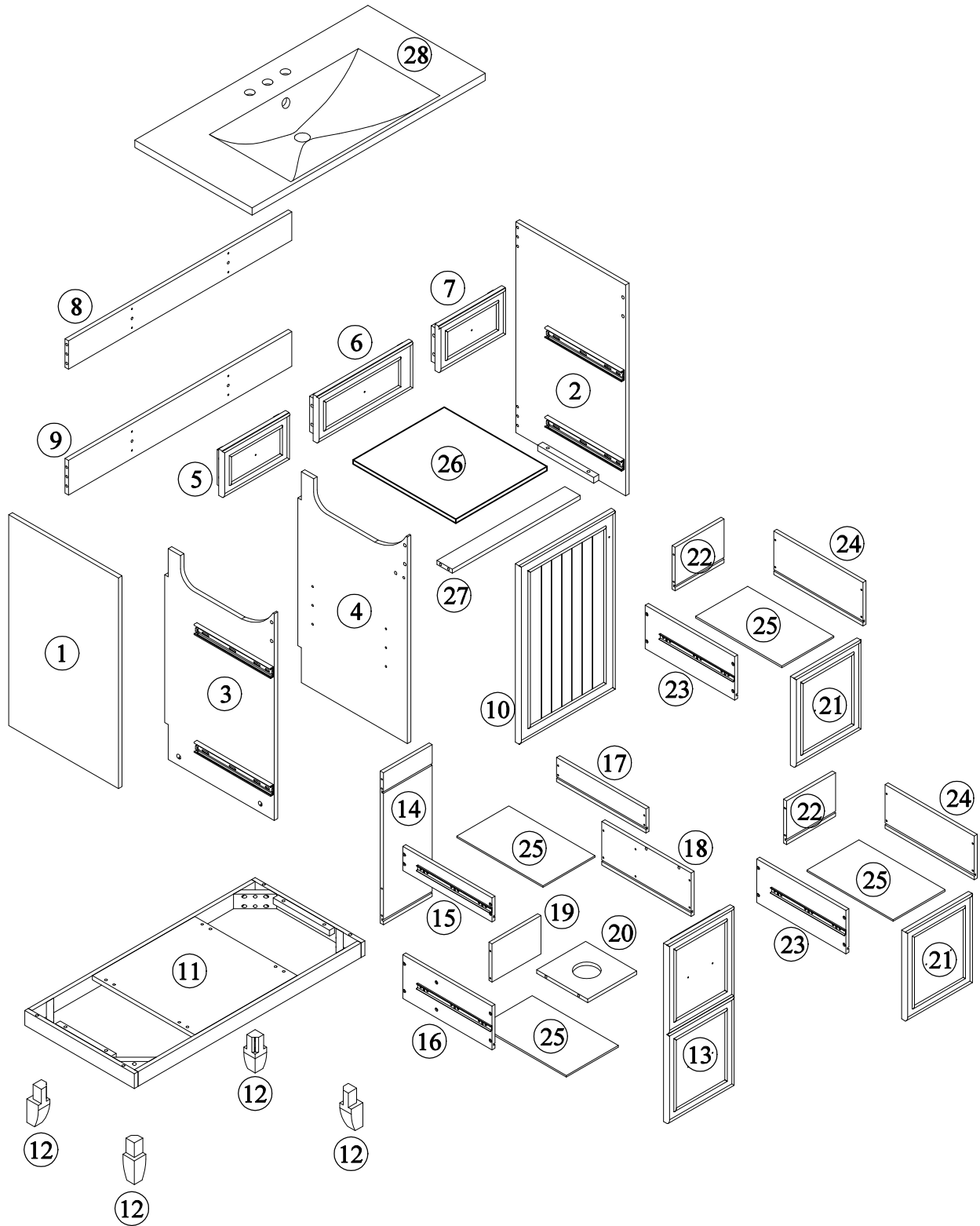


(Not included)

IMPORTANT:

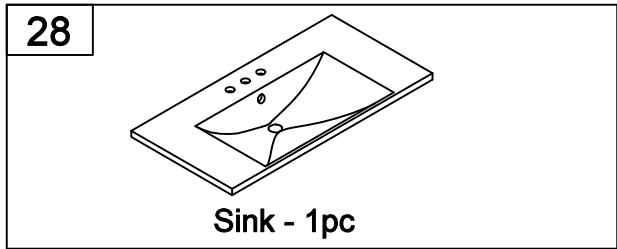
PLEASE READ INSTRUCTION BEFORE STARTING THE ASSEMBLY

Detail View - CABINET


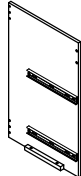
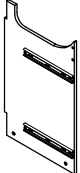
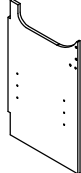
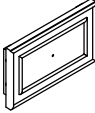
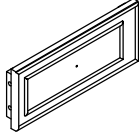
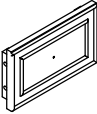
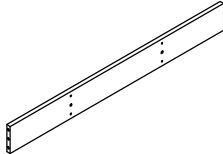
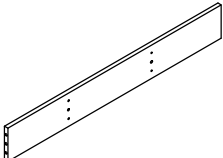
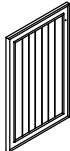


Identifying the Hardware-Identify the hardware using the illustrations below.

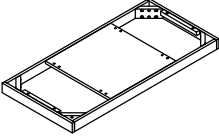



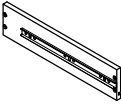
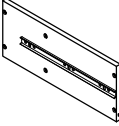
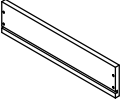
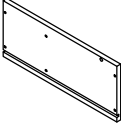
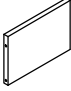
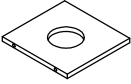
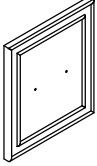
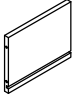
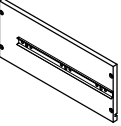
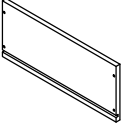
Part List - WF297188



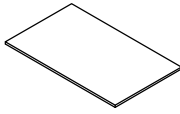
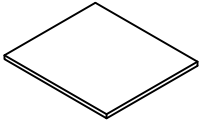
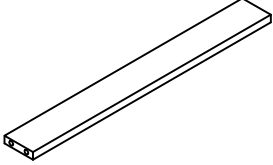
Part List - WF297189

1		2	
Side Panel (L) - 1pc		Side Panel (R) - 1pc	
3		4	
Mid Fixed Panel (L) - 1pc		Mid Fixed Panel (R) - 1pc	
5		6	
Front Panel (L) - 1pc		Front Panel Mid - 1pc	
7		8	
Front Panel (R) - 1pc		Back Panel Top - 1pc	
9		10	
Back Panel Bottom - 1pc		Door - 1pc	





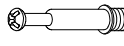


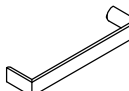
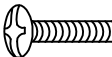
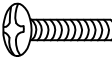



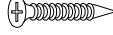
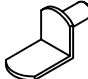



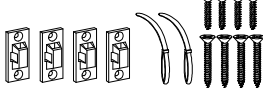
Part List - WF297189

11	 Frame Bottom - 1pc	12	 Foot - 4pcs
13	 Drawer Front (L) - 1pc	14	 Drawer Back (L)- 1pc
15	 Drawer Side Top(L-L) - 1pc	16	 Drawer Side Bottom(L-L) - 1pc
17	 Drawer Side Top(L-R) - 1pc	18	 Drawer Side Bottom(L-R) - 1pc
19	 Drawer Mid - 1pc	20	 Drawer Mid Top - 1pc
21	 Drawer Front (R) - 2pcs	22	 Drawer Back (R) - 2pcs
23	 Drawer Side (R-L) - 2pcs	24	 Drawer Side (R-R) - 2pcs

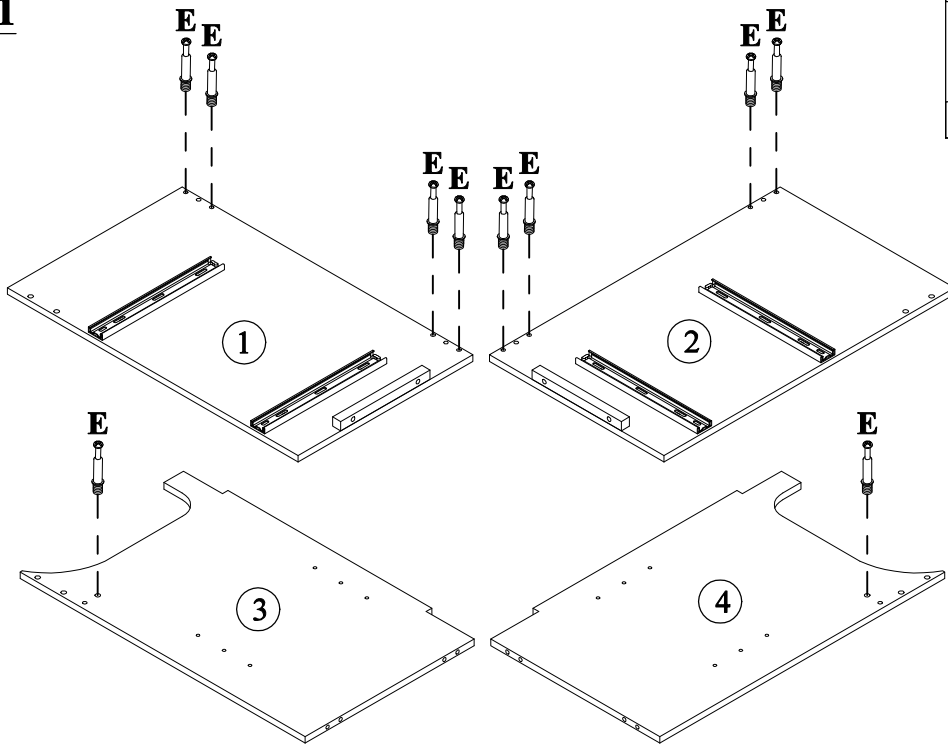
Part List - WF297189

<p>25</p>  <p>Drawer Bottom - 4pcs</p>	<p>26</p>  <p>Adjustable Shelf - 1pc</p>
<p>27</p>  <p>Mid Bar - 1pc</p>	

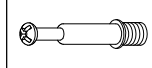
Hardware List - WF297189

<p>A</p>  <p>$\phi 13 \times 1/4" \times 28 \text{mm}$</p> <p>Hex-Head bolts(8pcs)</p>	<p>B</p>  <p>$\phi 13 \times 1/4" \times 38 \text{mm}$</p> <p>Hex-Head bolts(8pcs)</p>	<p>C</p>  <p>$\phi 13 \times 1/4" \times 50 \text{mm}$</p> <p>Hex-Head bolts(4pcs)</p>
<p>D</p>  <p>$\phi 1/4" \times 16 \times 1 \text{mm}$</p> <p>Washer(20pcs)</p>	<p>E</p>  <p>$\phi 6 \times 35 \text{mm}$</p> <p>Three in one bolts(14pcs)</p>	<p>F</p>  <p>$\phi 14.5 \times 12 \text{mm}$</p> <p>Three in one lock(14pcs)</p>
<p>G</p>  <p>Handle(4pcs)</p>	<p>H</p>  <p>Handle (4pcs)</p>	<p>I</p>  <p>$\phi 5/32" \times 19 \text{mm}$</p> <p>Handle screw(6pcs)</p>
<p>J</p>  <p>$\phi 5/32" \times 32 \text{mm}$</p> <p>Handle screw(6pcs)</p>	<p>K</p>  <p>$\phi 8 \times \phi 4 \times 32 \text{mm}$</p> <p>Round head screw(36pcs)</p>	<p>L</p>  <p>$\phi 8 \times \phi 4 \times 25 \text{mm}$</p> <p>Round head screw(8pcs)</p>
<p>M</p>  <p>Damping hinge (2pcs)</p>	<p>N</p>  <p>$\phi 7 \times \phi 3.5 \times 15 \text{mm}$</p> <p>Flat head screw(12pcs)</p>	<p>R</p>  <p>Laminate pad(4pcs)</p>
<p>S</p>  <p>$\phi 8 \times 30 \text{mm}$</p> <p>Wood dowel(22pcs)</p>	<p>T</p>  <p>$\phi 6 \times 30 \text{mm}$</p> <p>Wood dowel(4pcs)</p>	<p>U</p>  <p>4mm</p> <p>Allen key(1pc)</p>
<p>V</p>  <p>Anti fall hardware(1set)</p>		

STEP: 1

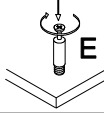


E

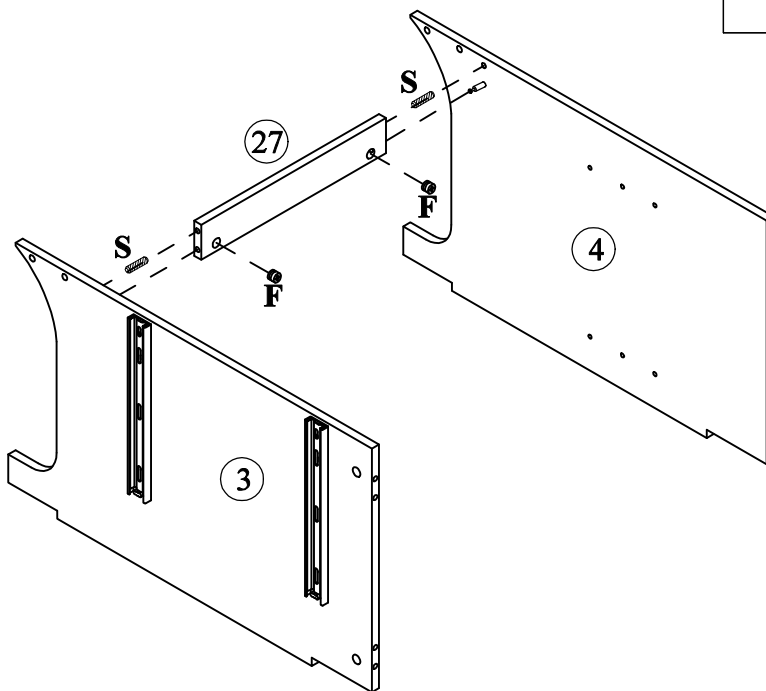


10PCS

Do Not Over Tighten



STEP: 2

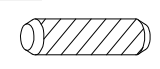


F



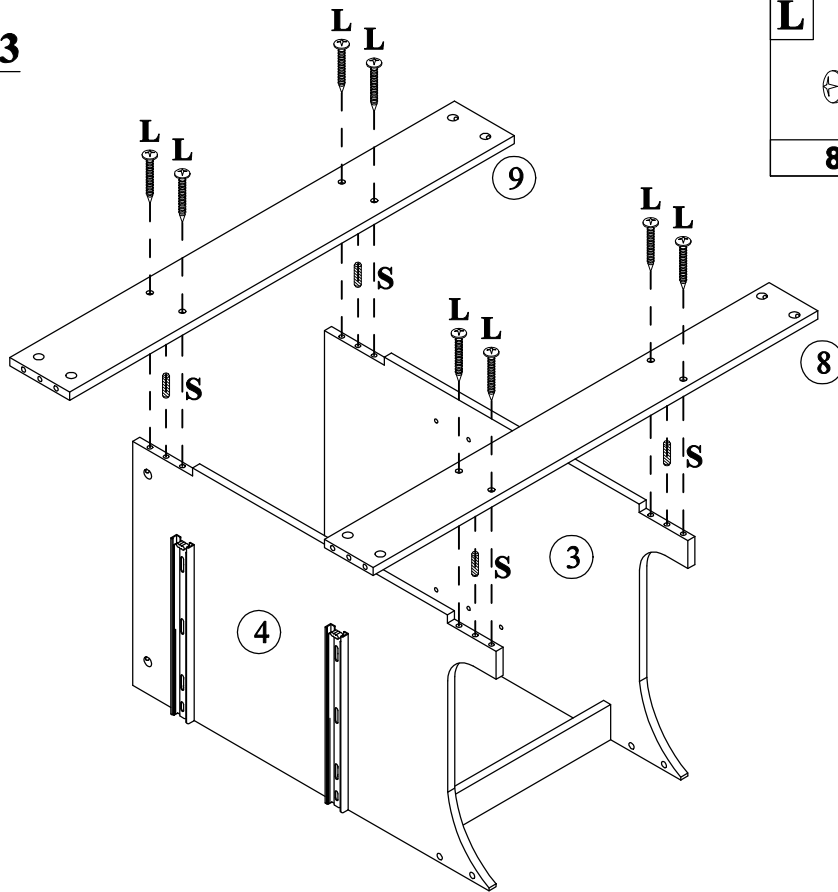
2PCS



S



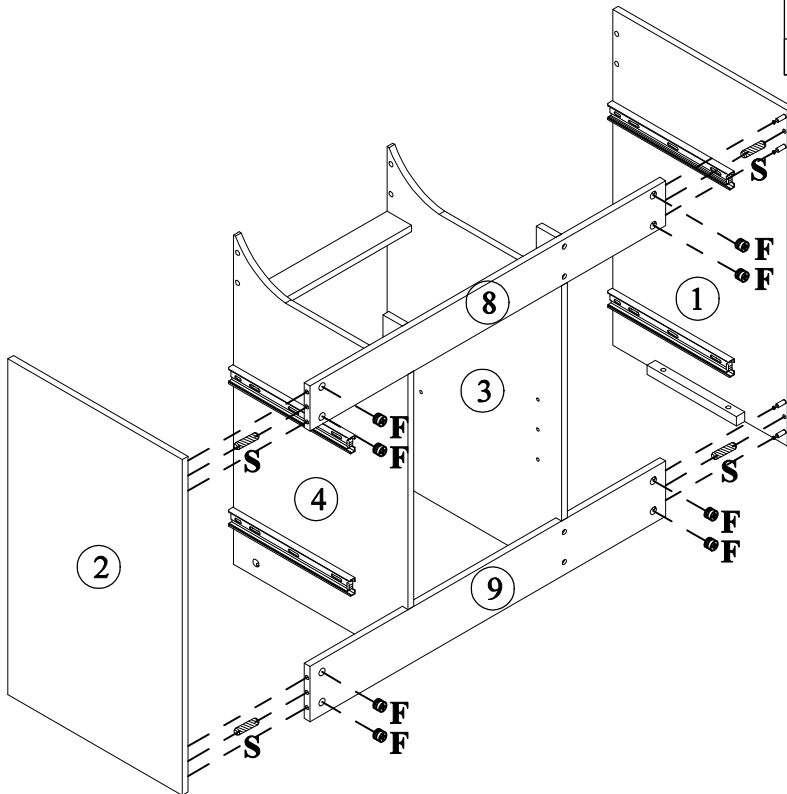
2PCS



STEP: 3





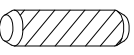
L	S
	
8PCS	4PCS

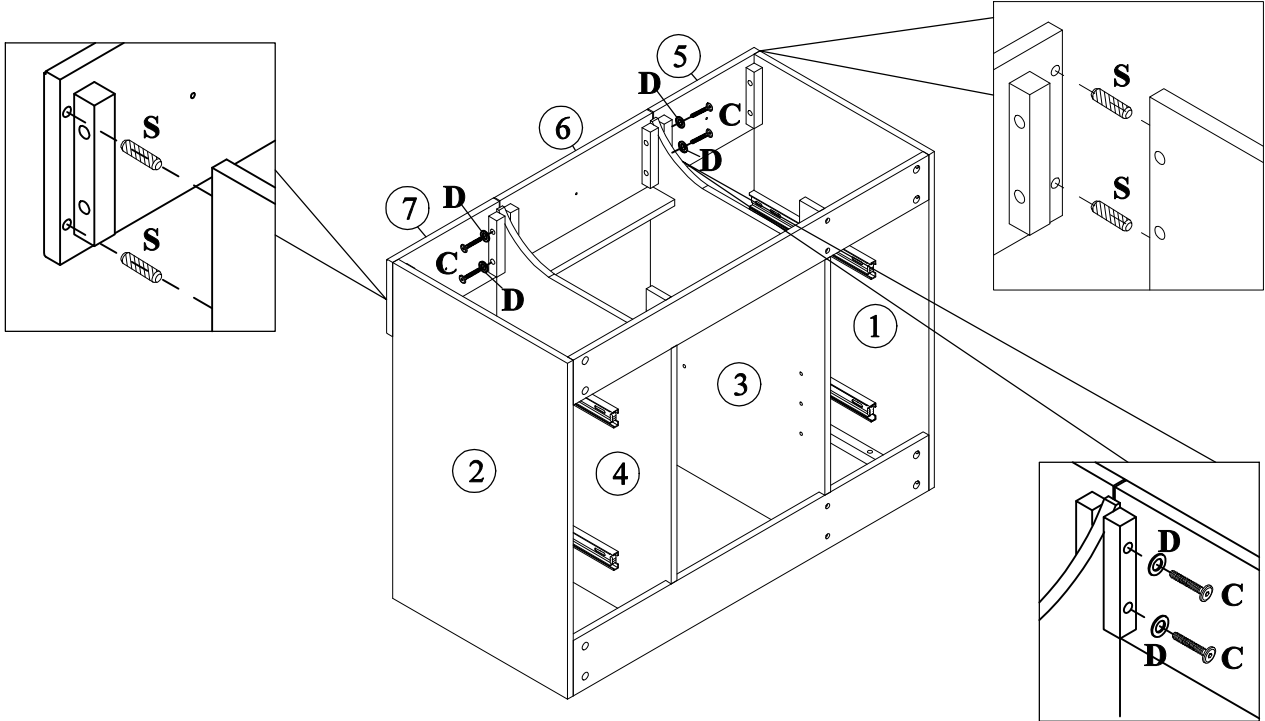
STEP: 4



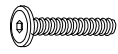

F	S
	
8PCS	4PCS

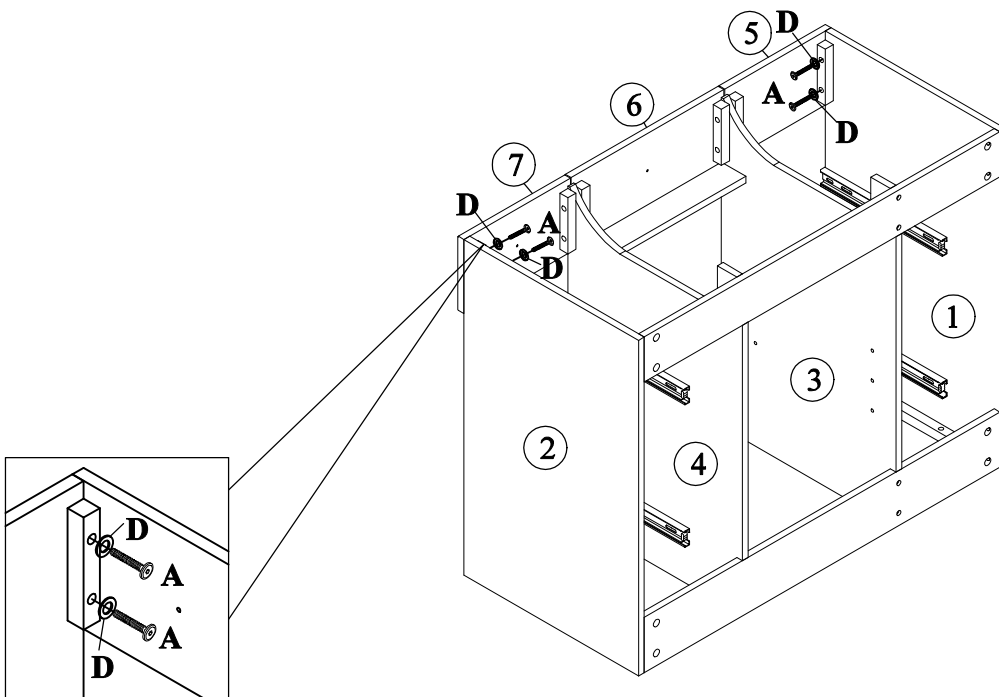
STEP: 5

C 	D 	S 
4PCS	4PCS	4PCS



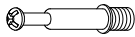


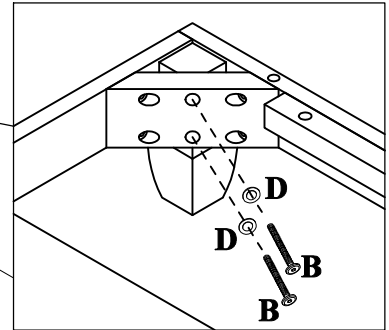
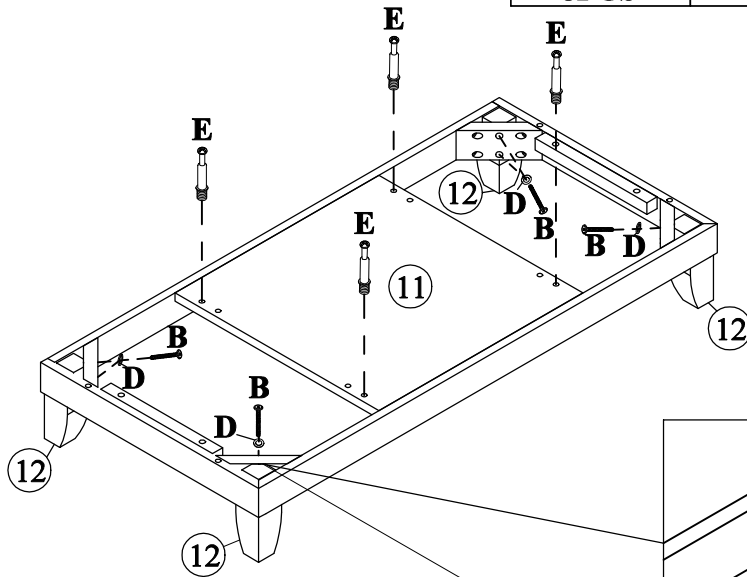
STEP: 6

A 	D 
4PCS	4PCS

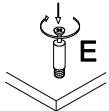


STEP: 7



B	D	E
		
8PCS	8PCS	4PCS

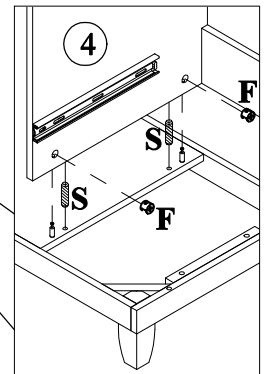
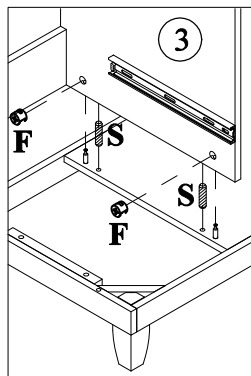
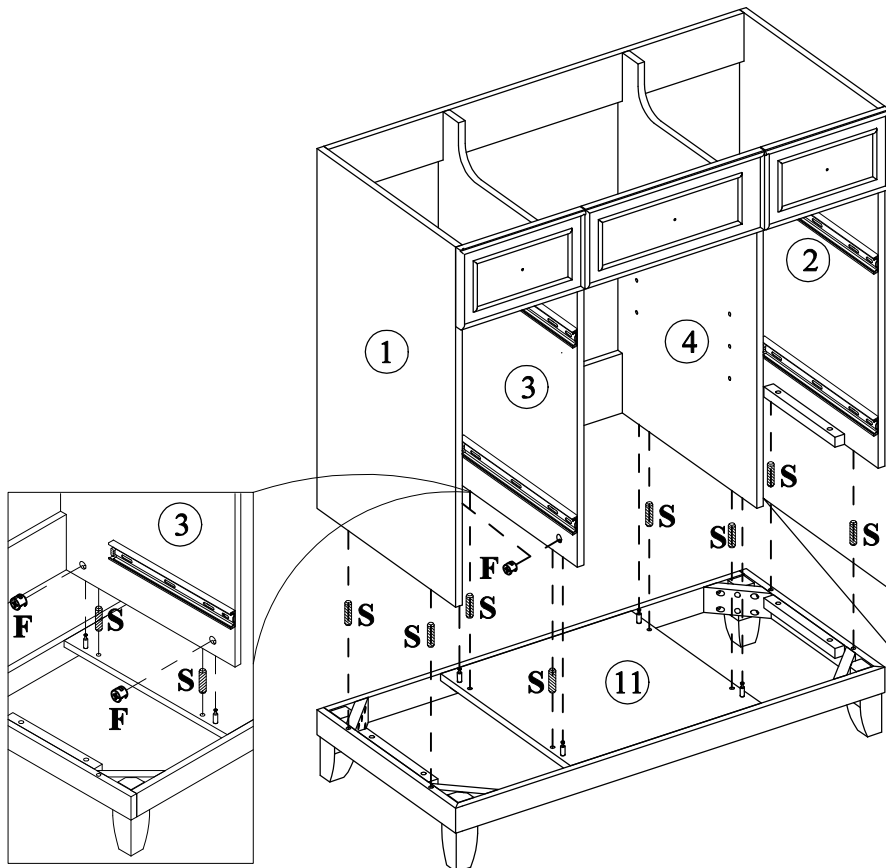


Do Not Over Tighten


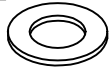


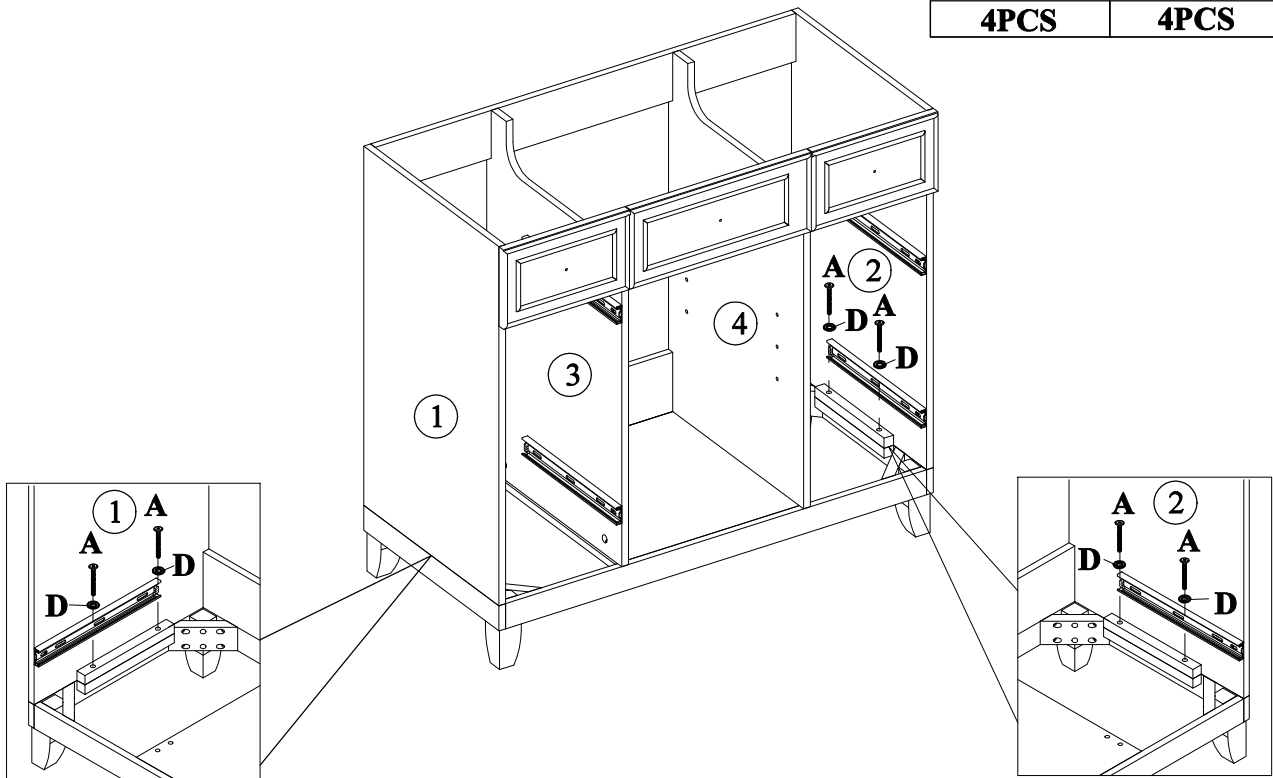
STEP: 8

F	S
	
4PCS	8PCS


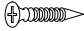


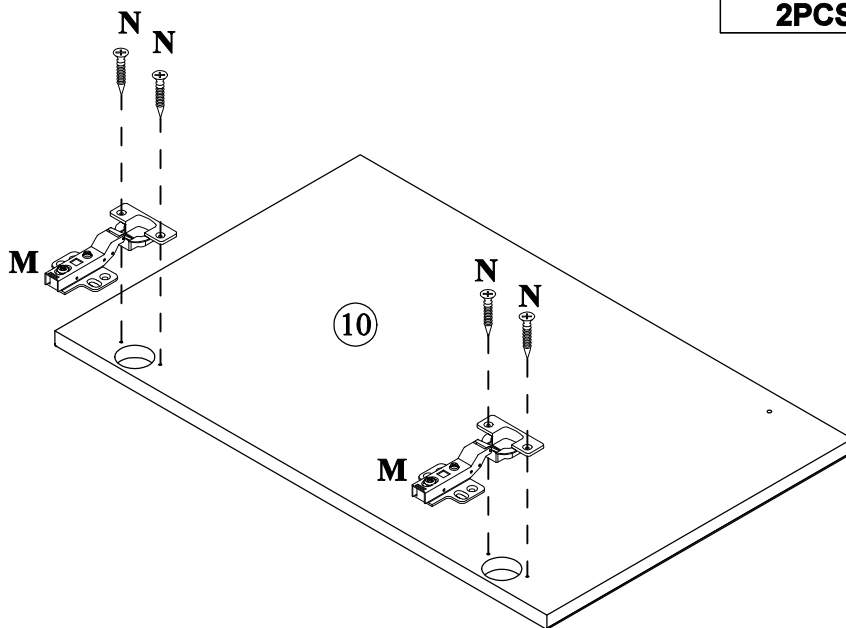
STEP: 9

A	D
	
4PCS	4PCS


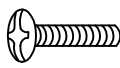



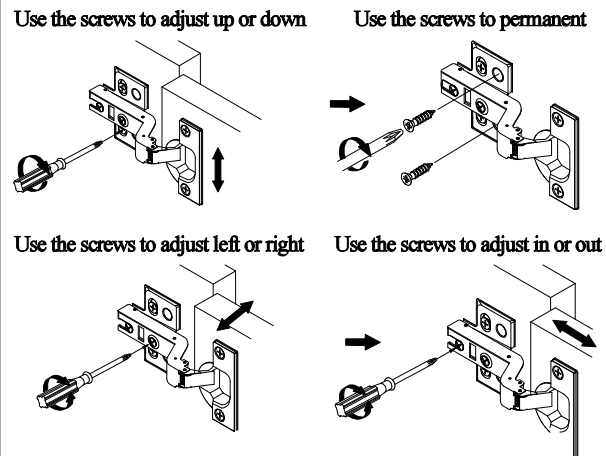
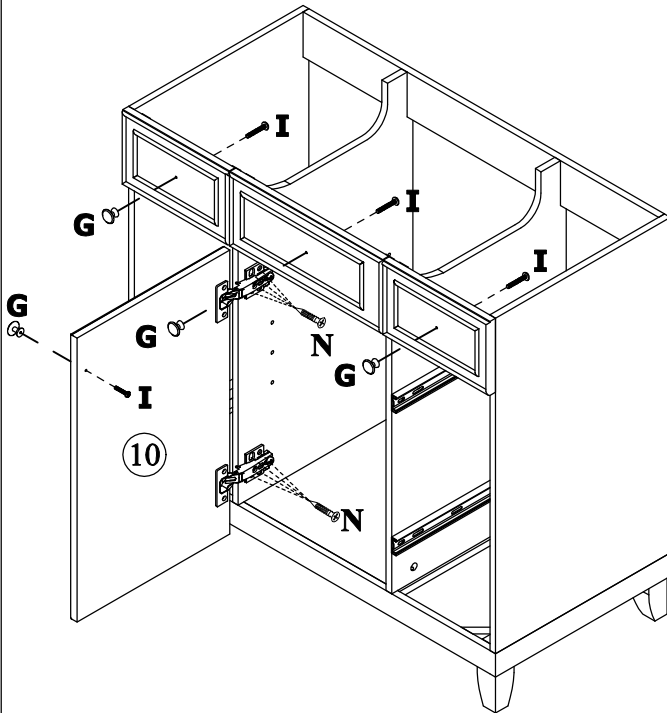
STEP: 10

M	N
	
2PCS	4PCS

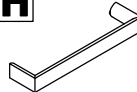
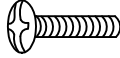
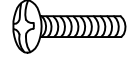


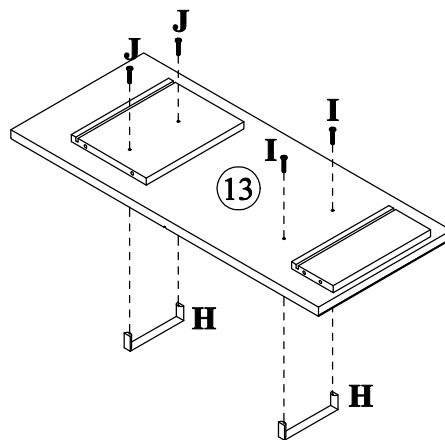
STEP: 11

G	I	N
		
4PCS	4PCS	8PCS



STEP: 12

H	I	J
		
2PCS	2PCS	2PCS

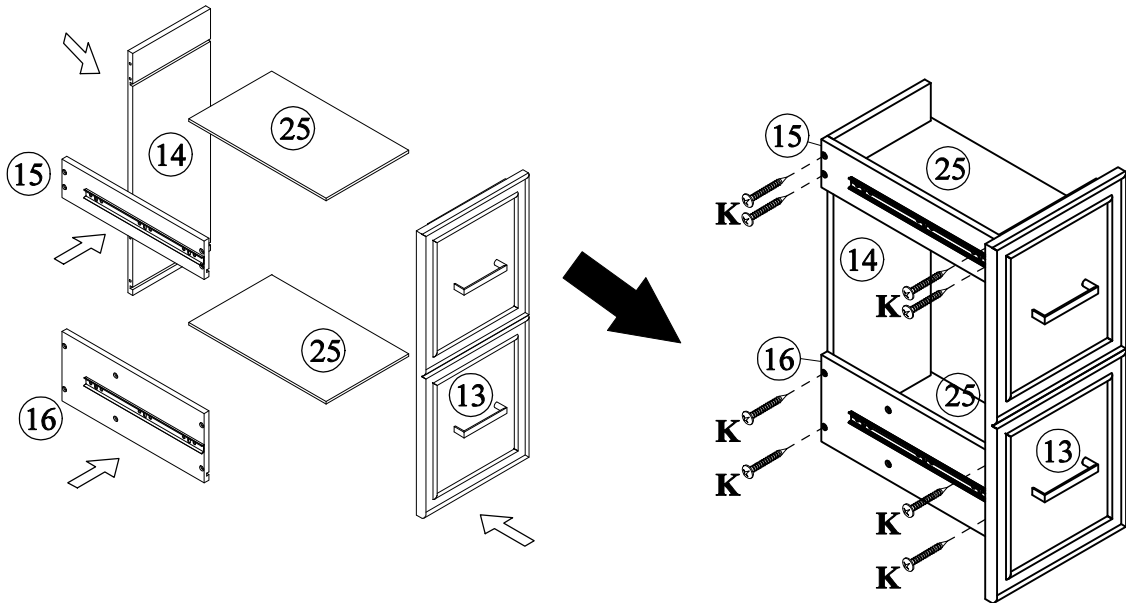


STEP: 13

K



8PCS

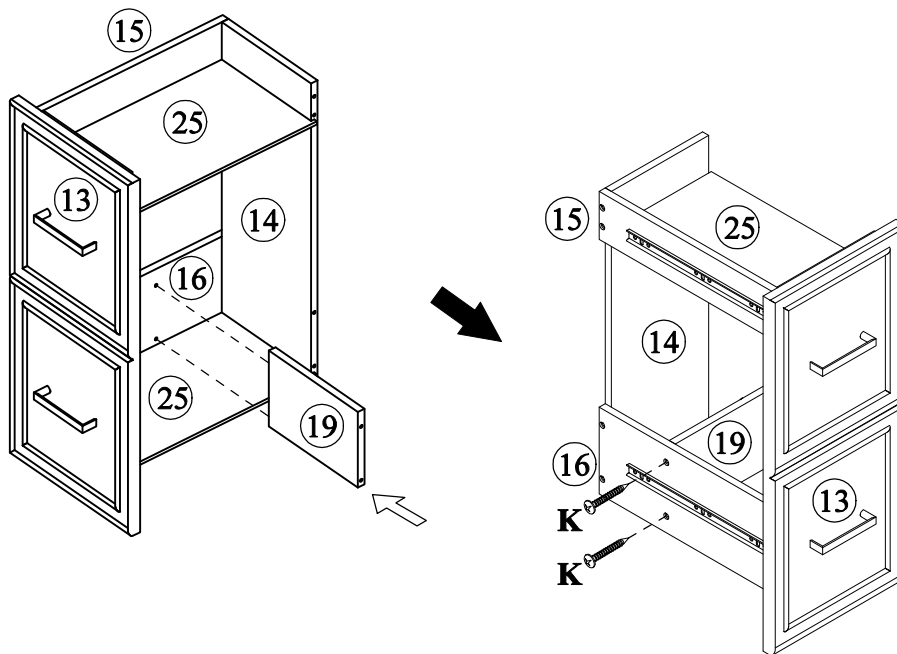


STEP: 14


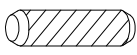
K

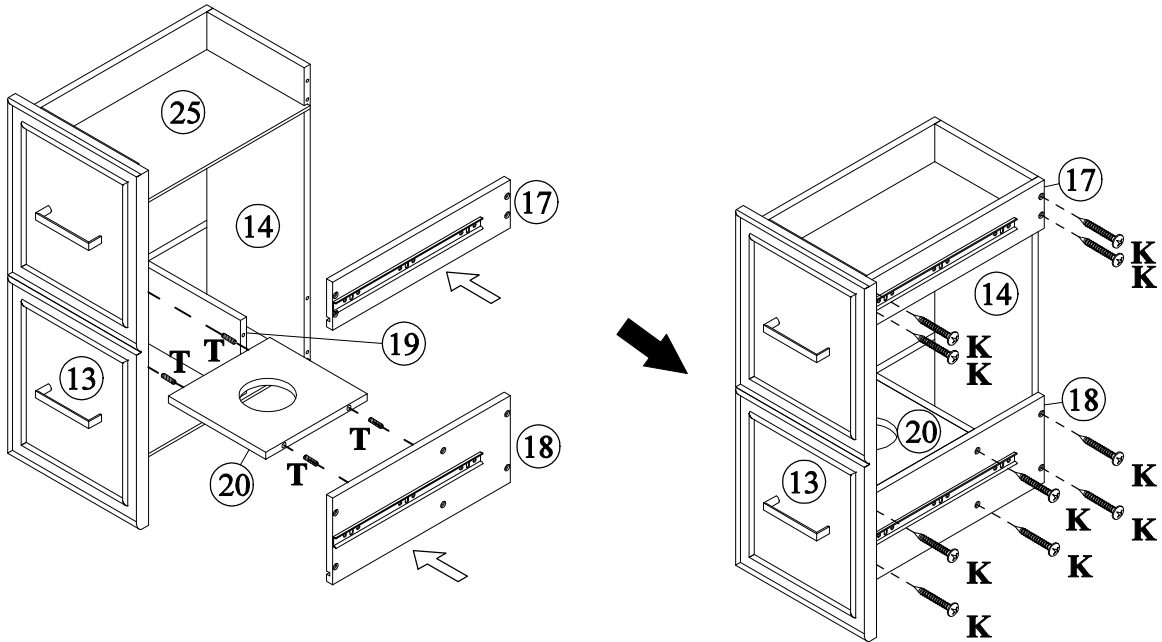


2PCS




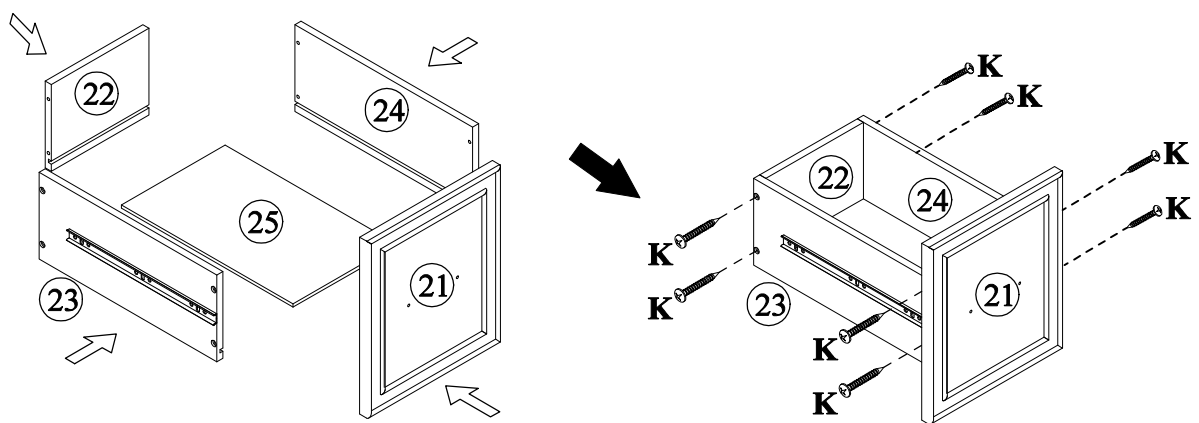
STEP: 15

K	T
	
10PCS	4PCS



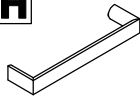
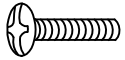
STEP: 16

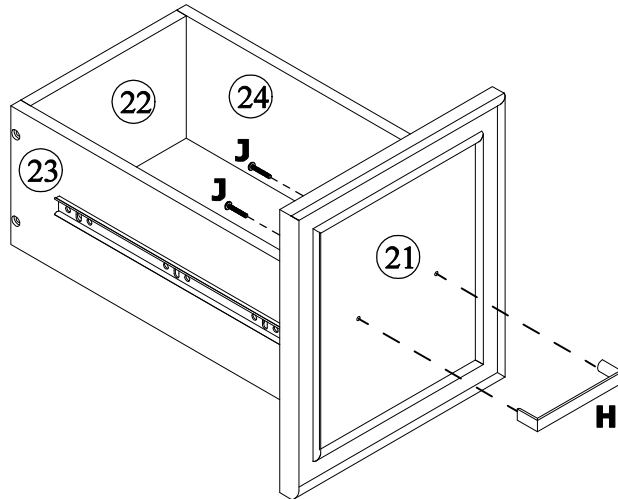
K

16PCS



X2

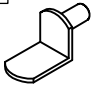
STEP: 17

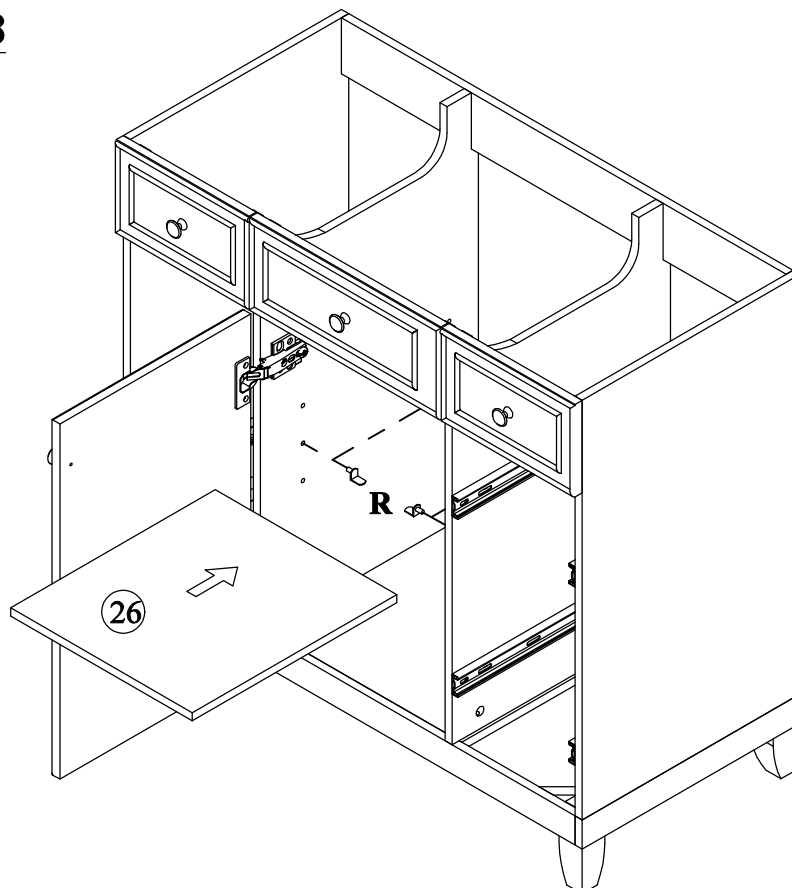
H 	J 
2PCS	4PCS



X2

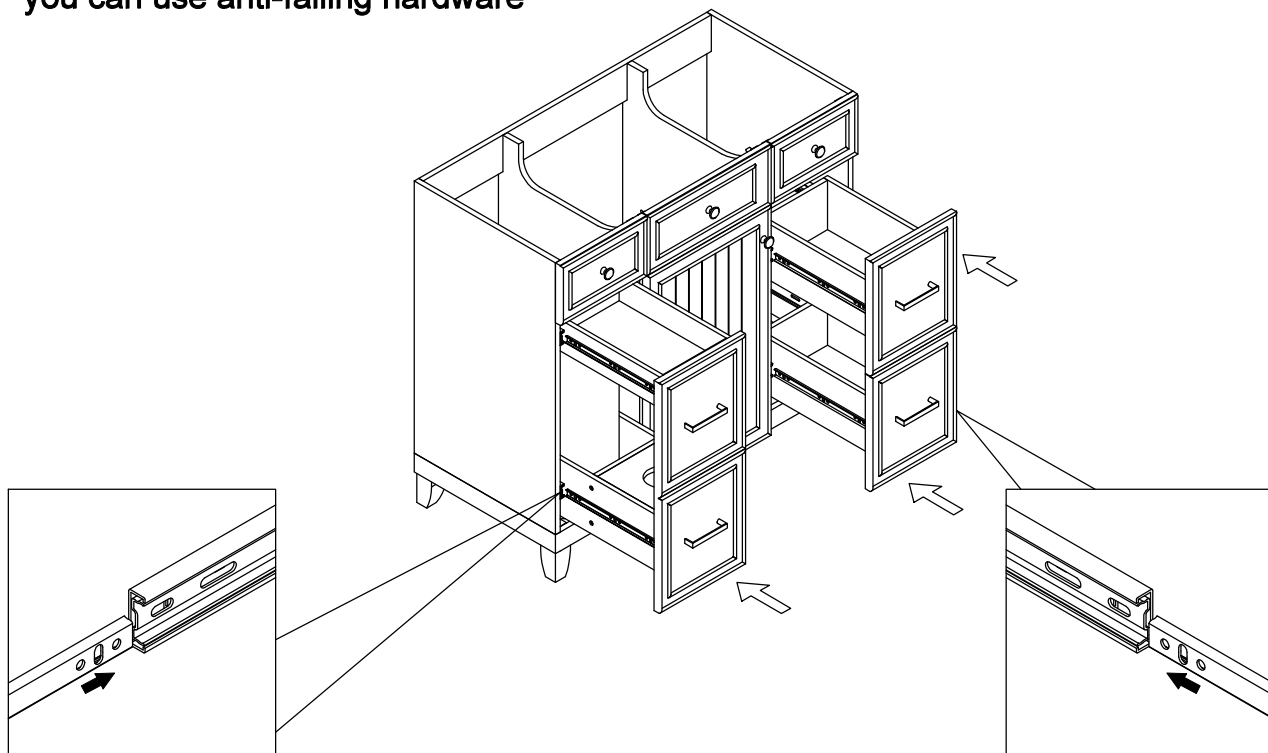
STEP: 18

R 
4PCS



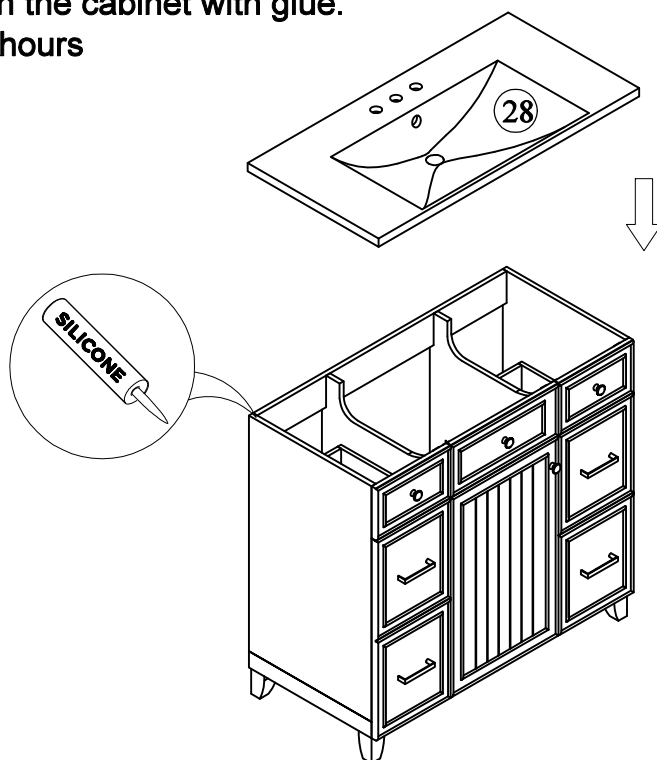
STEP: 19

The structure of the cabinet is quite stable, if you are not sure, you can use anti-falling hardware



STEP: 20

Install the sink on the cabinet with glue.
Let stand for 24 hours



STEP: 21

