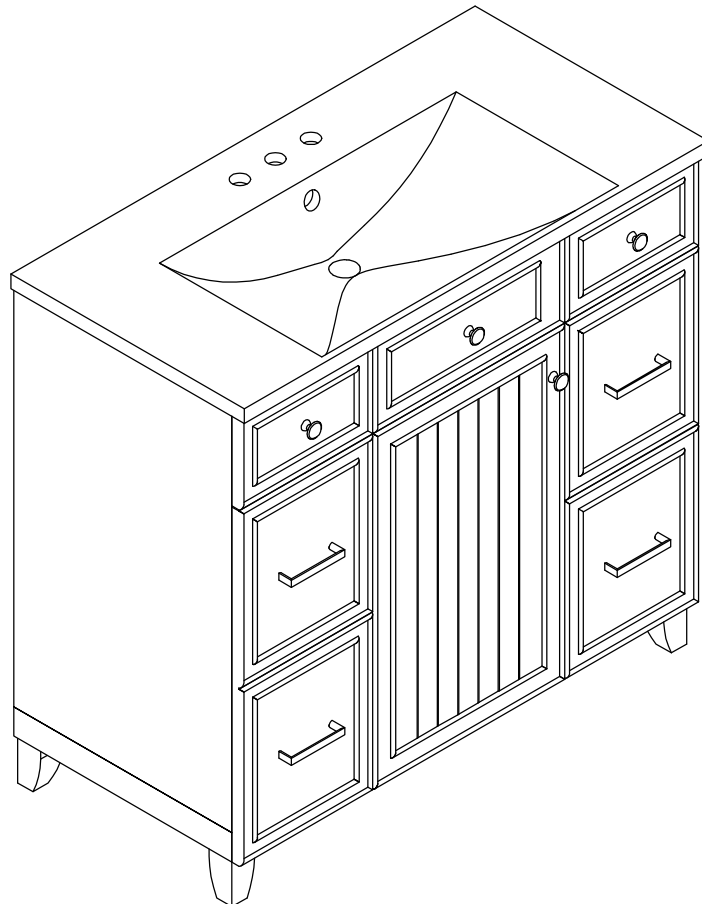


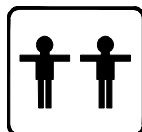
ASSEMBLY INSTRUCTIONS

36 INCH BATH VANITY-CABINET

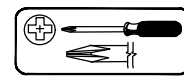


Thank you for purchasing this quality product. Be sure to check all packing material carefully for small parts which may have come loose inside the carton during shipment. Separate, identify and count all parts and hardware. Compare with the parts list to be sure all parts are present.
"DO NOT TIGHTEN SCREWS UNTIL COMPLETELY ASSEMBLED"

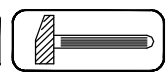
*** Use of power tool to assemble this product will invalidate any claim and damage this product making unsafe !!!**
*** Please assemble on a clean soft surface to avoid damage.**



Tools Required



(Not included)

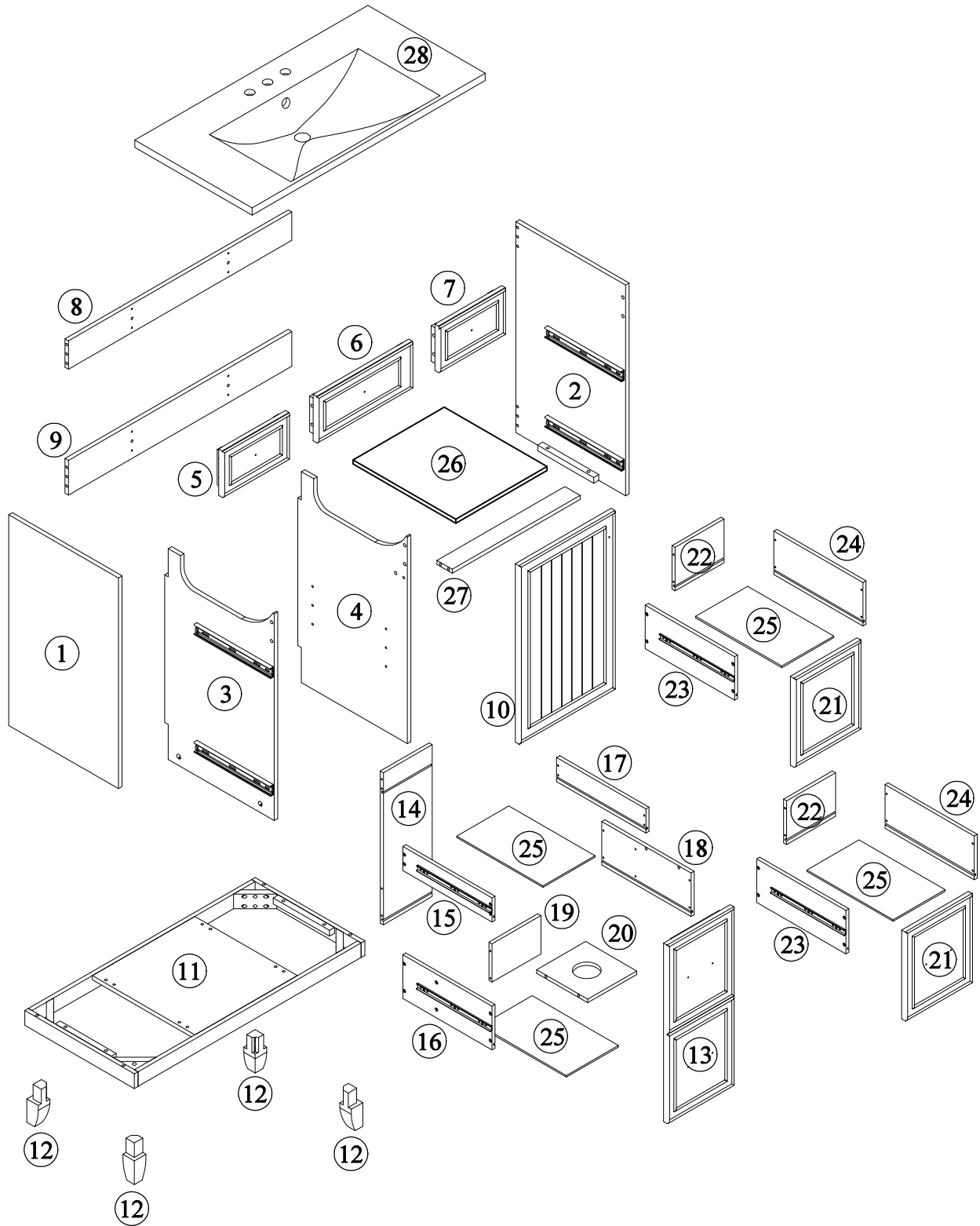


(Not included)

IMPORTANT:

PLEASE READ INSTRUCTION BEFORE STARTING THE ASSEMBLY

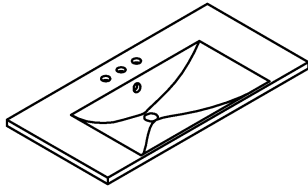
Detail View - CABINET



Identifying the Hardware-Identify the hardware using the illustrations below.

Part List - SV000003AAG

28



Sink - 1pc

Part List - WF297189

1



Side Panel (L) - 1pc

2



Side Panel (R) - 1pc

3



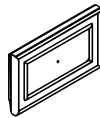
Mid Fixed Panel (L) - 1pc

4



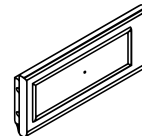
Mid Fixed Panel (R) - 1pc

5



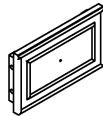
Front Panel (L) - 1pc

6



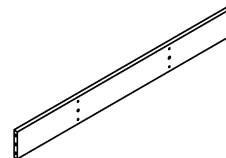
Front Panel Mid - 1pc

7



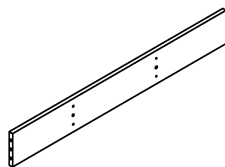
Front Panel (R) - 1pc

8



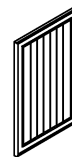
Back Panel Top - 1pc

9



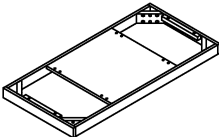



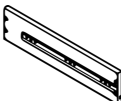
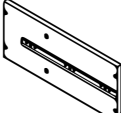

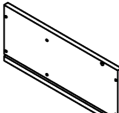
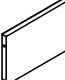
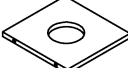
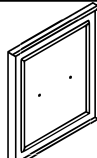
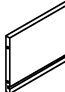
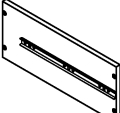
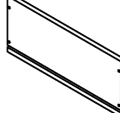
Back Panel Bottom - 1pc

10

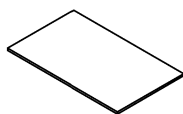
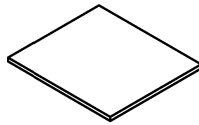
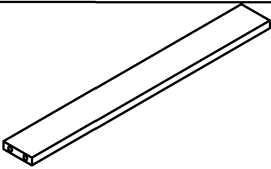


Door - 1pc

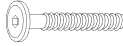





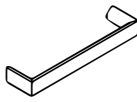
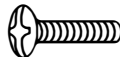

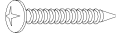
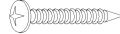


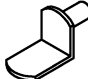



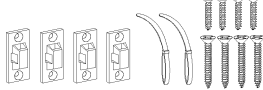
Part List - SV000003AAG

<p>11</p>  <p>Frame Bottom - 1pc</p>	<p>12</p>  <p>Foot - 4pcs</p>
<p>13</p>  <p>Drawer Front (L) - 1pc</p>	<p>14</p>  <p>Drawer Back (L) - 1pc</p>
<p>15</p>  <p>Drawer Side Top(L-L) - 1pc</p>	<p>16</p>  <p>Drawer Side Bottom(L-L) - 1pc</p>
<p>17</p>  <p>Drawer Side Top(L-R) - 1pc</p>	<p>18</p>  <p>Drawer Side Bottom(L-R) - 1pc</p>
<p>19</p>  <p>Drawer Mid - 1pc</p>	<p>20</p>  <p>Drawer Mid Top - 1pc</p>
<p>21</p>  <p>Drawer Front (R) - 2pcs</p>	<p>22</p>  <p>Drawer Back (R) - 2pcs</p>
<p>23</p>  <p>Drawer Side (R-L) - 2pcs</p>	<p>24</p>  <p>Drawer Side (R-R) - 2pcs</p>

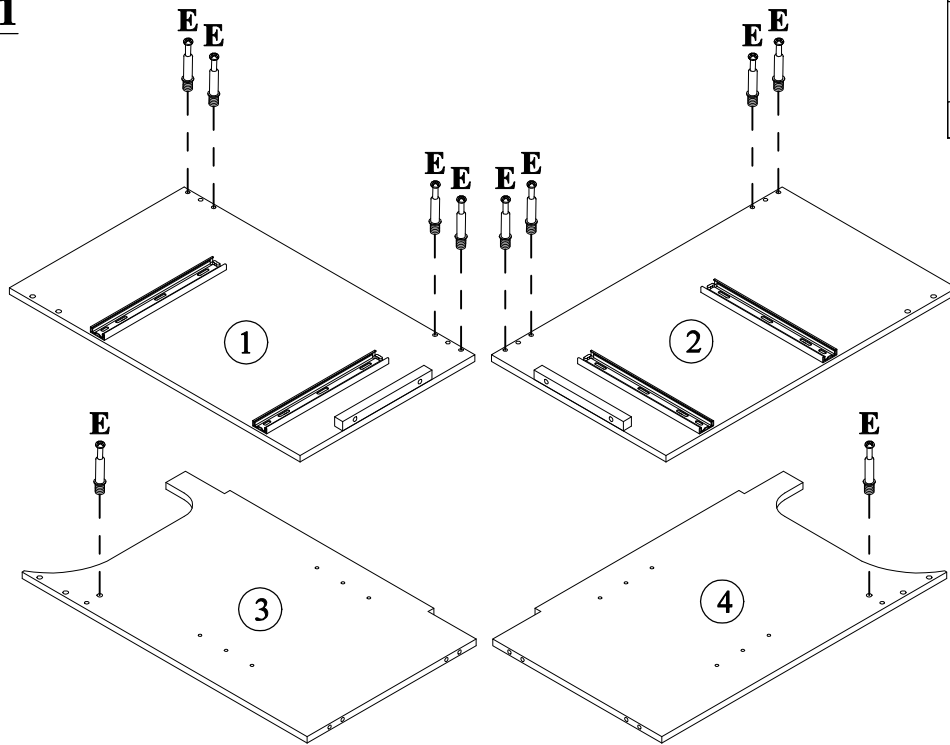
Part List - SV000003AAG

<p>25</p>  <p>Drawer Bottom - 4pcs</p>	<p>26</p>  <p>Adjustable Shelf - 1pc</p>
<p>27</p>  <p>Mid Bar - 1pc</p>	

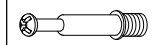
Hardware List - SV000003AAG

<p>A</p>  <p>ø13x1/4"x28mm</p> <p>Hex-Head bolts(8pcs)</p>	<p>B</p>  <p>ø13x1/4"x38mm</p> <p>Hex-Head bolts(8pcs)</p>	<p>C</p>  <p>ø13x1/4"x50mm</p> <p>Hex-Head bolts(4pcs)</p>
<p>D</p>  <p>ø1/4"x16x1mm</p> <p>Washer(20pcs)</p>	<p>E</p> <p>ø6x35mm</p> <p>Three in one bolts(14pcs)</p>	<p>F</p>  <p>ø14.5x12mm</p> <p>Three in one lock(14pcs)</p>
<p>G</p>  <p>Handle(4pcs)</p>	<p>H</p>  <p>Handle (4pcs)</p>	<p>I</p>  <p>ø5/32"x19mm</p> <p>Handle screw(6pcs)</p>
<p>J</p>  <p>ø5/32"x32mm</p> <p>Handle screw(6pcs)</p>	<p>K</p>  <p>ø8xø4x32mm</p> <p>Round head screw(36pcs)</p>	<p>L</p>  <p>ø8xø4x25mm</p> <p>Round head screw(8pcs)</p>
<p>M</p>  <p>Damping hinge (2pcs)</p>	<p>N</p>  <p>ø7xø3.5x15mm</p> <p>Flat head screw(12pcs)</p>	<p>R</p>  <p>Laminate pad(4pcs)</p>
<p>S</p>  <p>ø8x30mm</p> <p>Wood dowel(22pcs)</p>	<p>T</p>  <p>ø6x30mm</p> <p>Wood dowel(4pcs)</p>	<p>U</p>  <p>4mm</p> <p>Allen key(1pc)</p>
<p>V</p>  <p>Anti fall hardware(1set)</p>		

STEP: 1

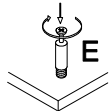


E

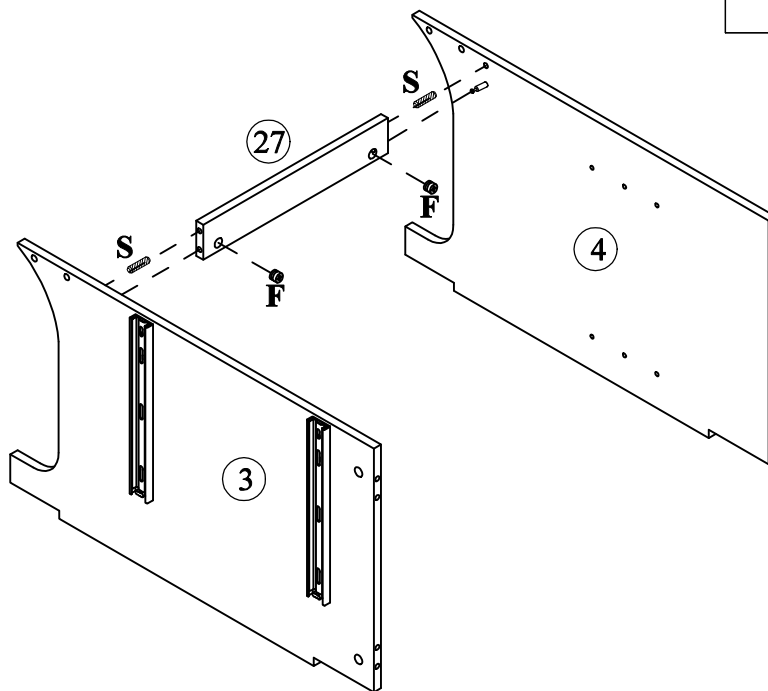


10PCS

Do Not Over Tighten



STEP: 2

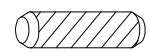


F



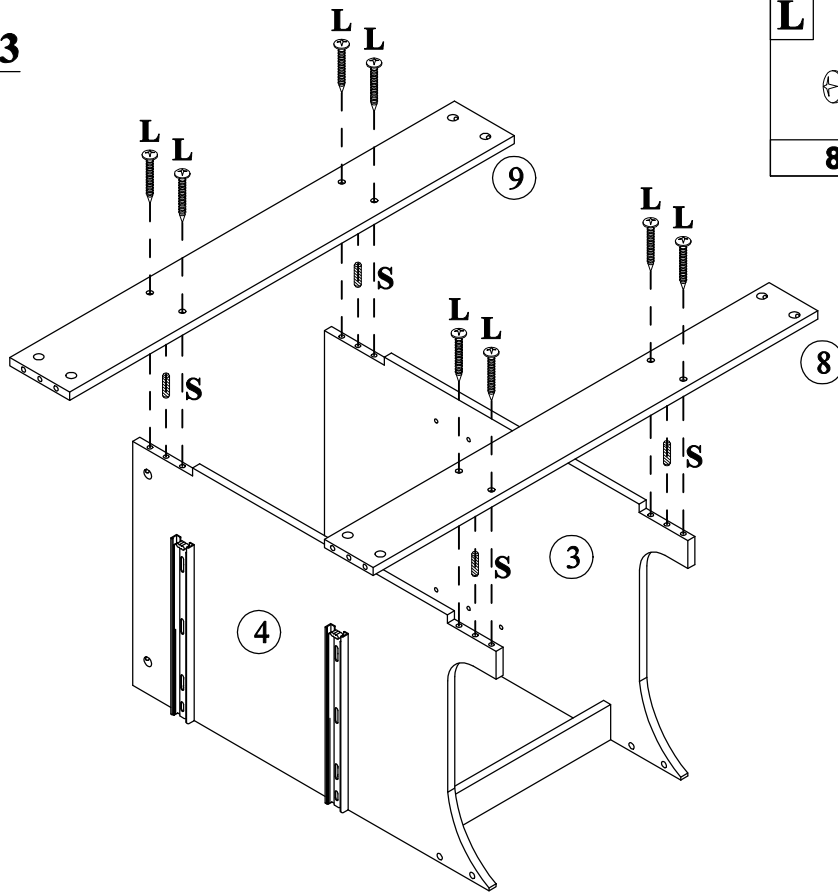
2PCS


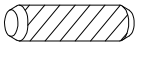
S



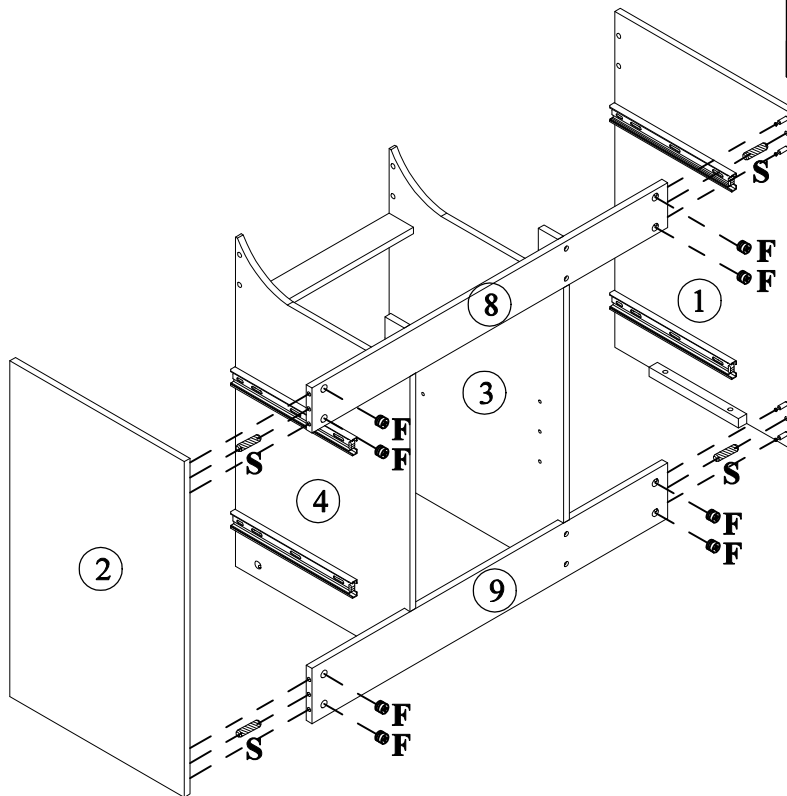
2PCS


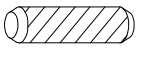
STEP: 3





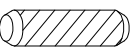
L	S
	
8PCS	4PCS

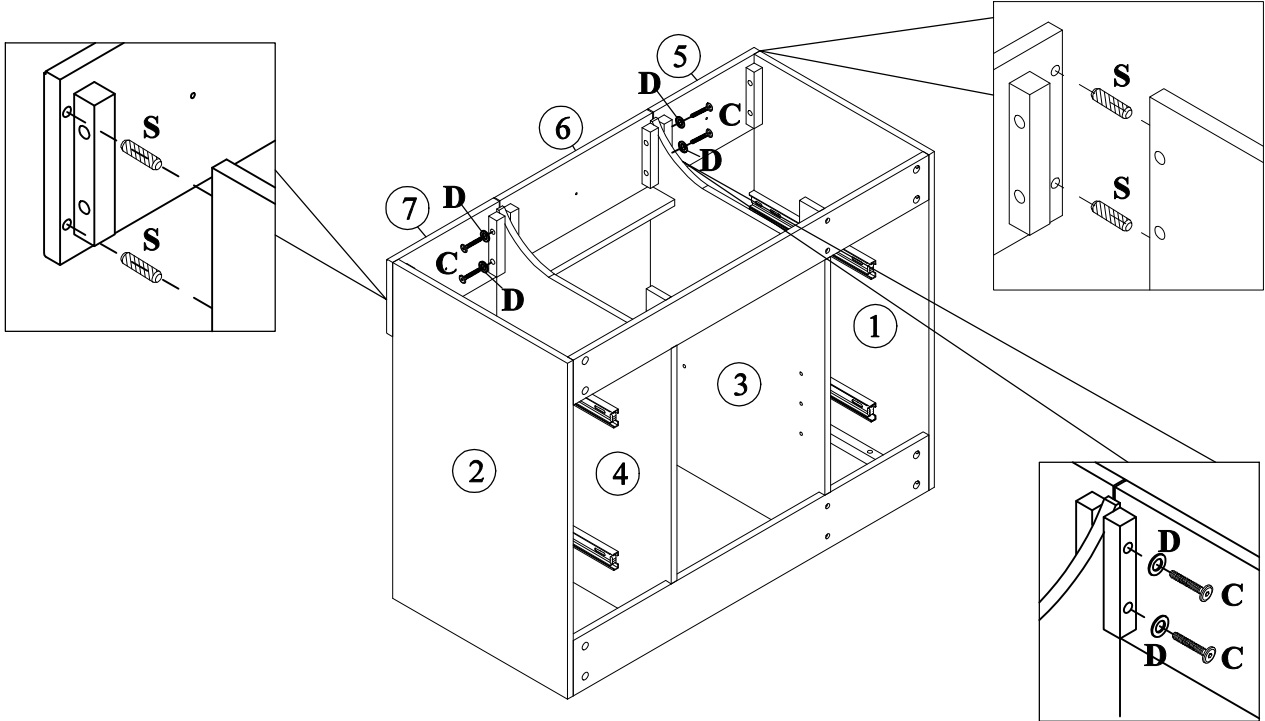
STEP: 4



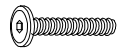

F	S
	
8PCS	4PCS

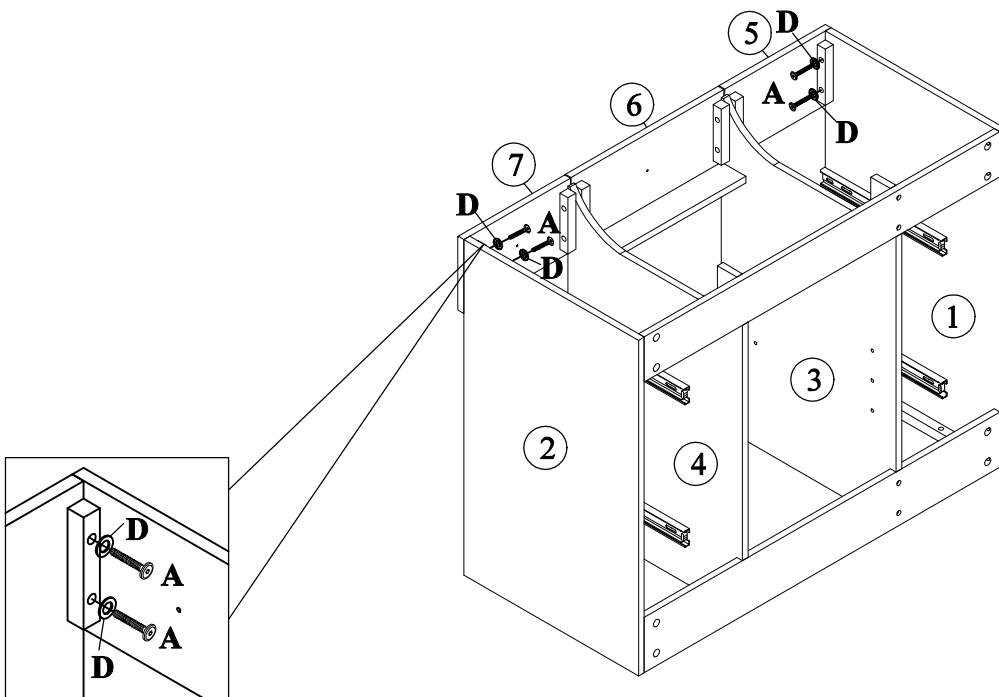
STEP: 5

C 	D 	S 
4PCS	4PCS	4PCS



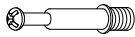


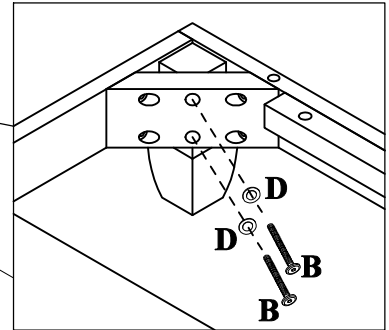
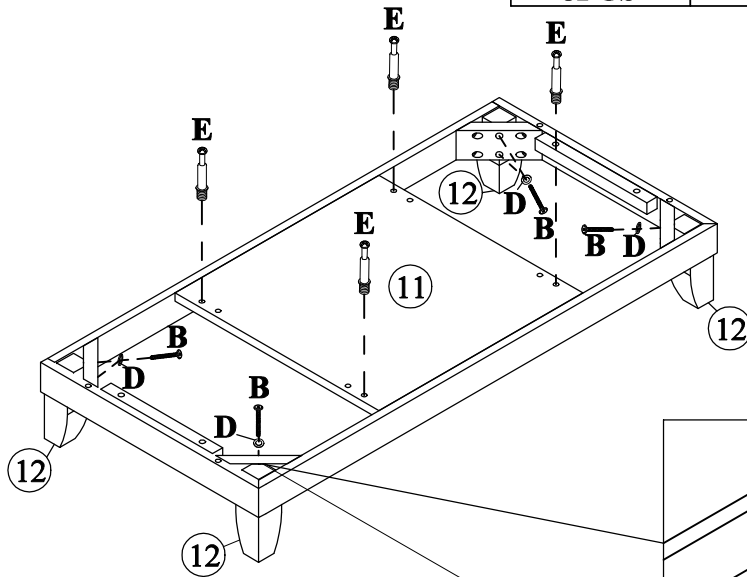
STEP: 6

A 	D 
4PCS	4PCS

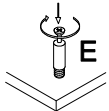


STEP: 7



B	D	E
		
8PCS	8PCS	4PCS

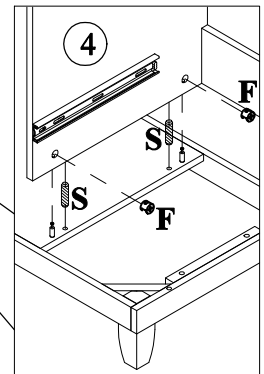
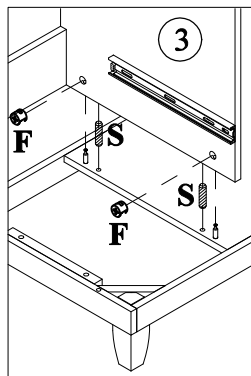
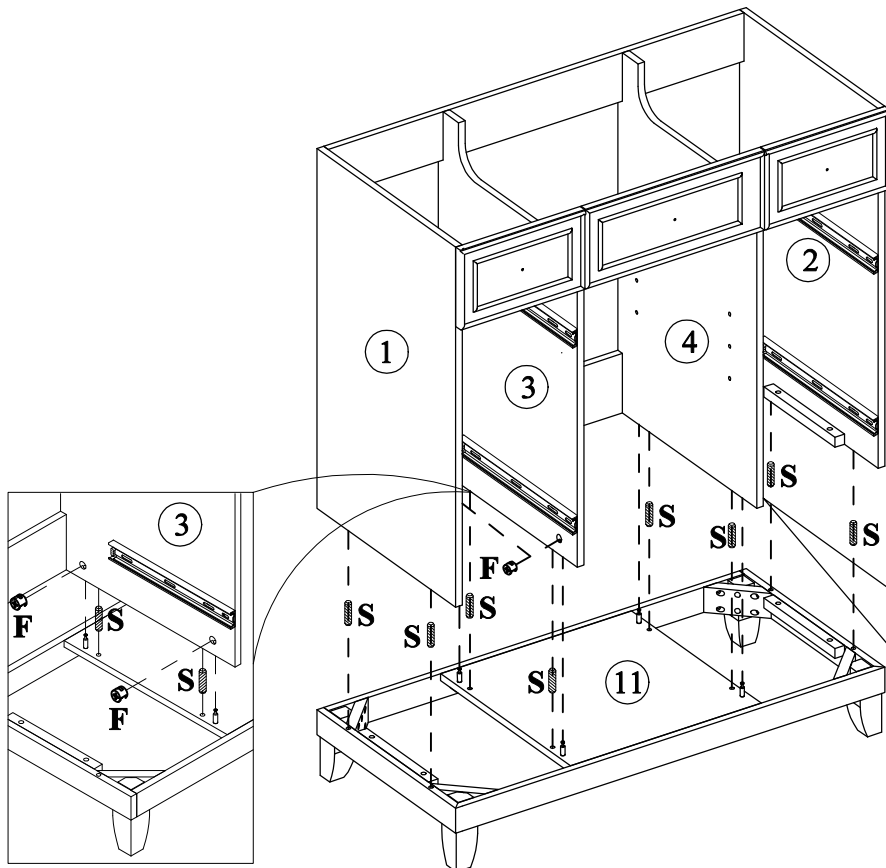


Do Not Over Tighten


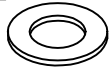


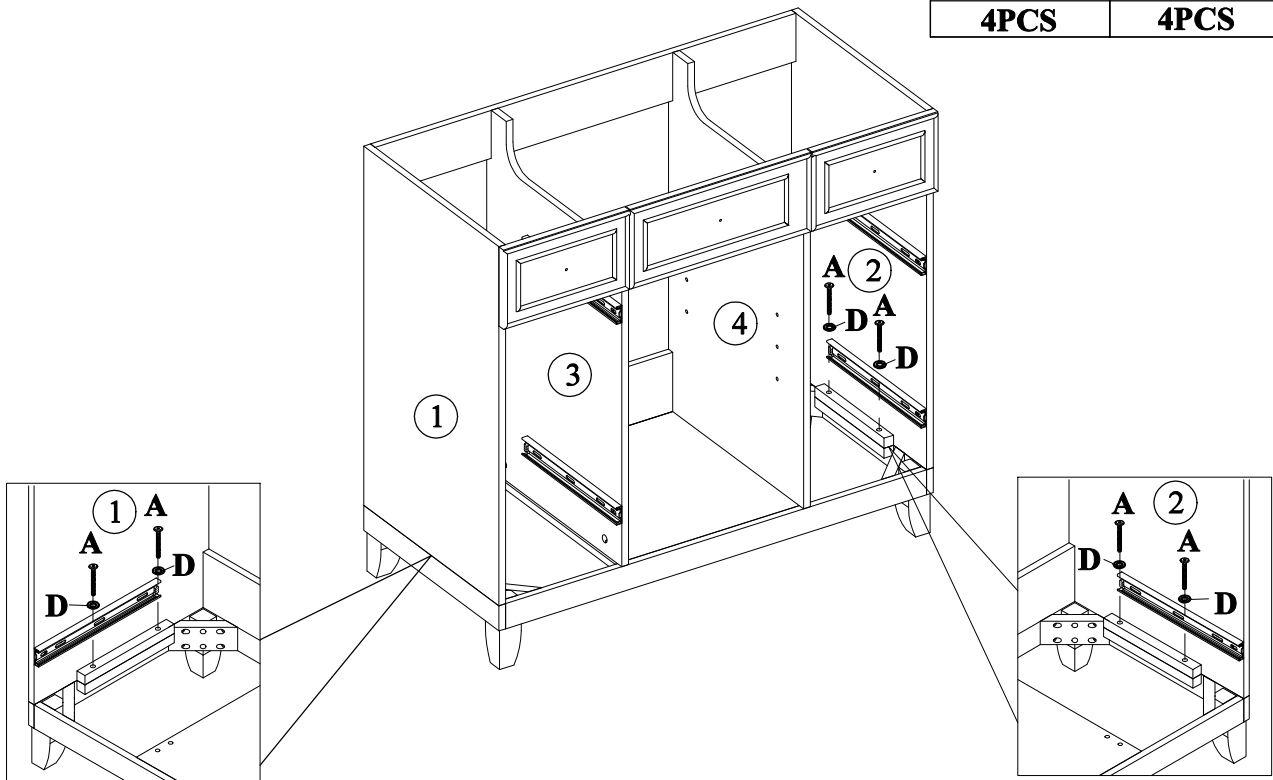
STEP: 8

F	S
	
4PCS	8PCS


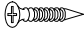


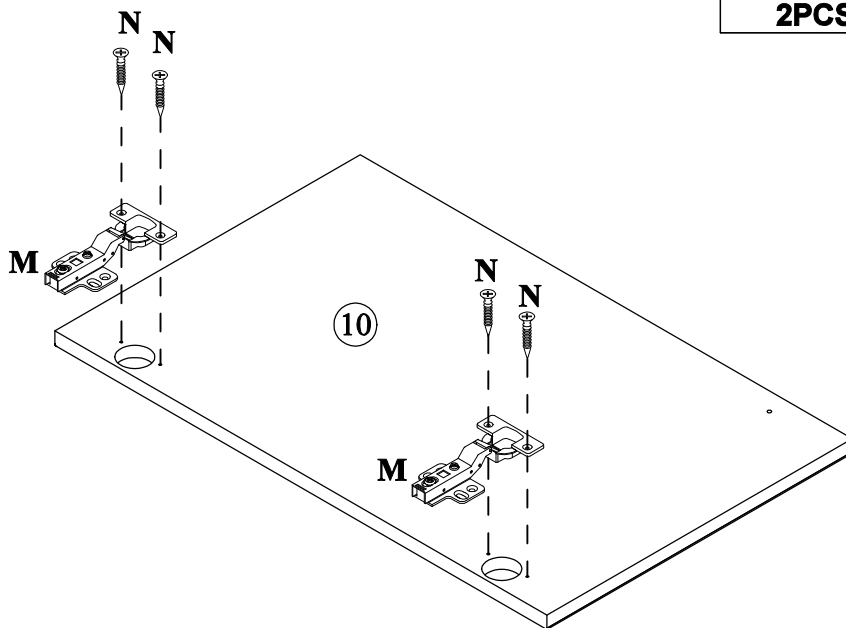
STEP: 9

A	D
	
4PCS	4PCS

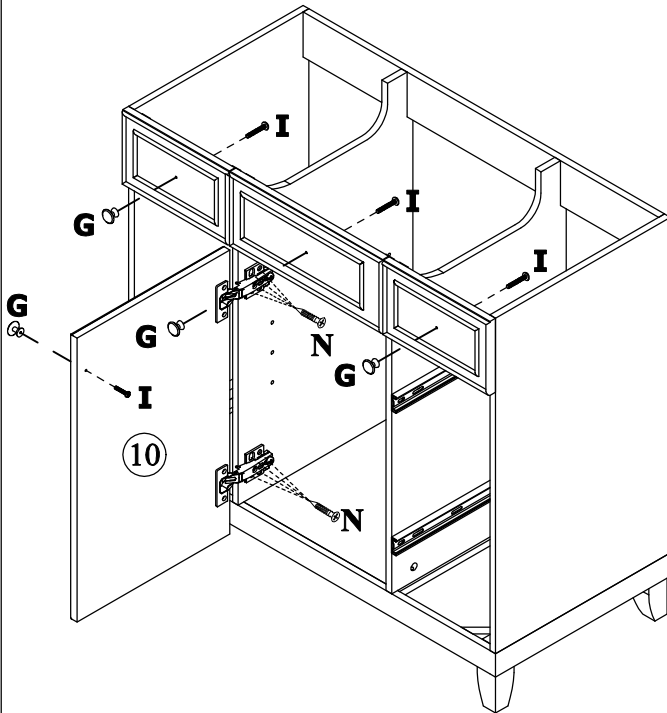



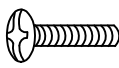
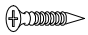
STEP: 10

M	N
	
2PCS	4PCS

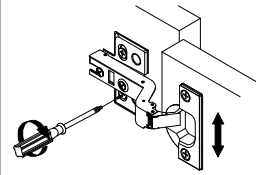


STEP: 11

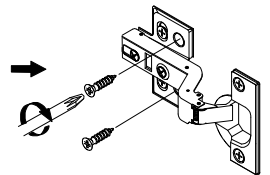


G	I	N
		
4PCS	4PCS	8PCS

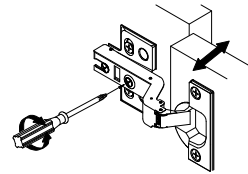
Use the screws to adjust up or down



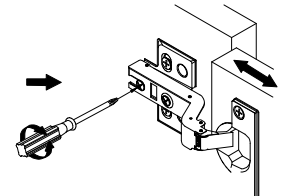
Use the screws to permanent



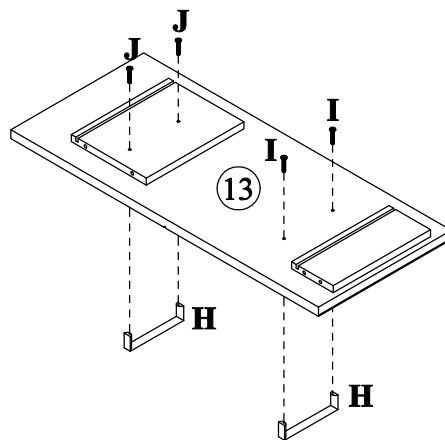
Use the screws to adjust left or right

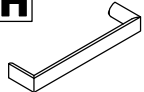
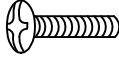
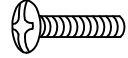


Use the screws to adjust in or out



STEP: 12



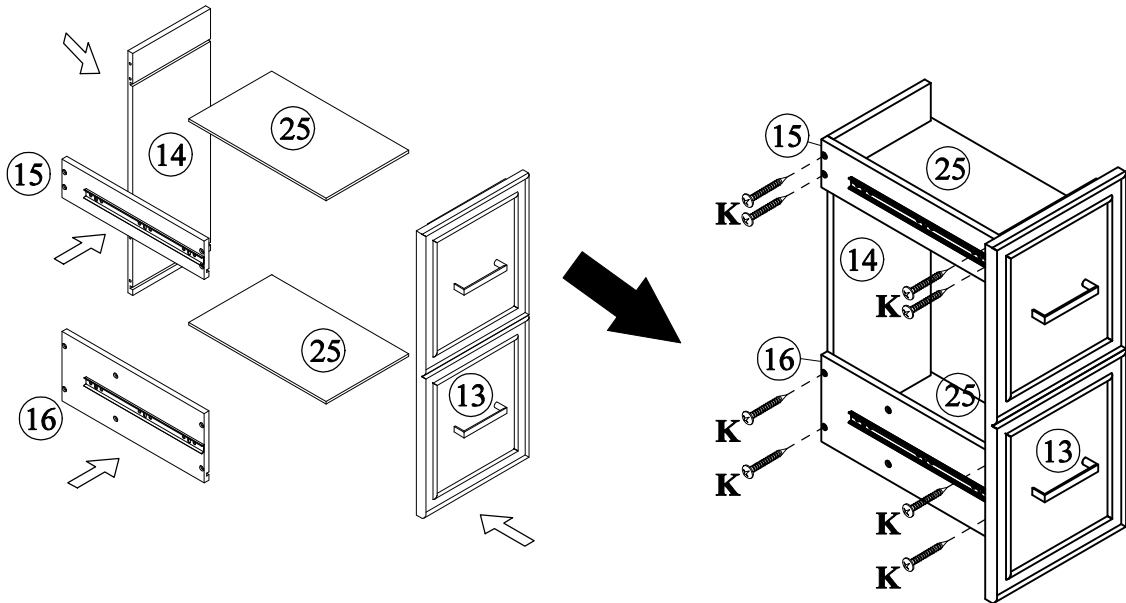
H	I	J
		
2PCS	2PCS	2PCS

STEP: 13

K



8PCS

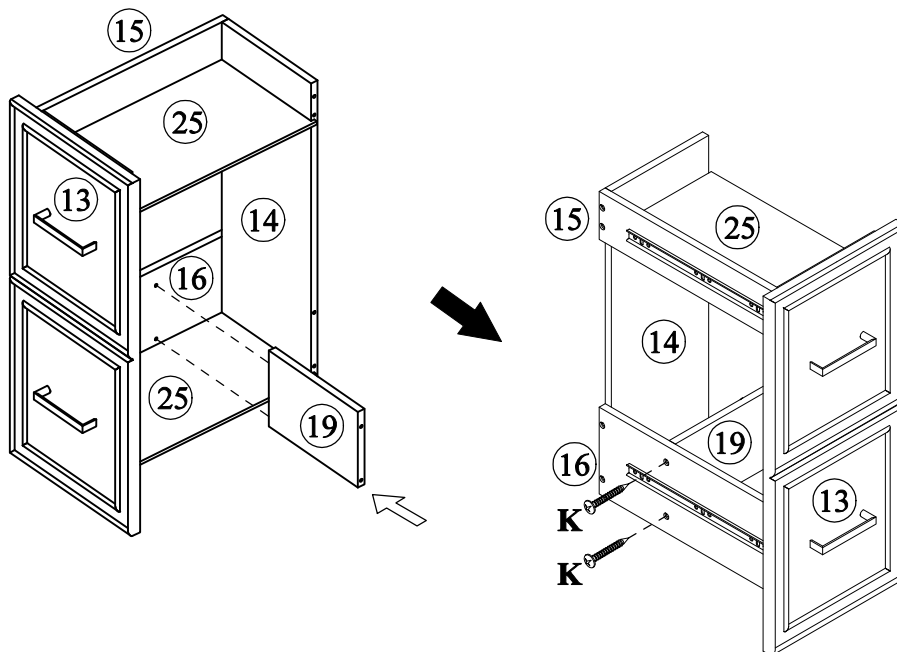


STEP: 14



K

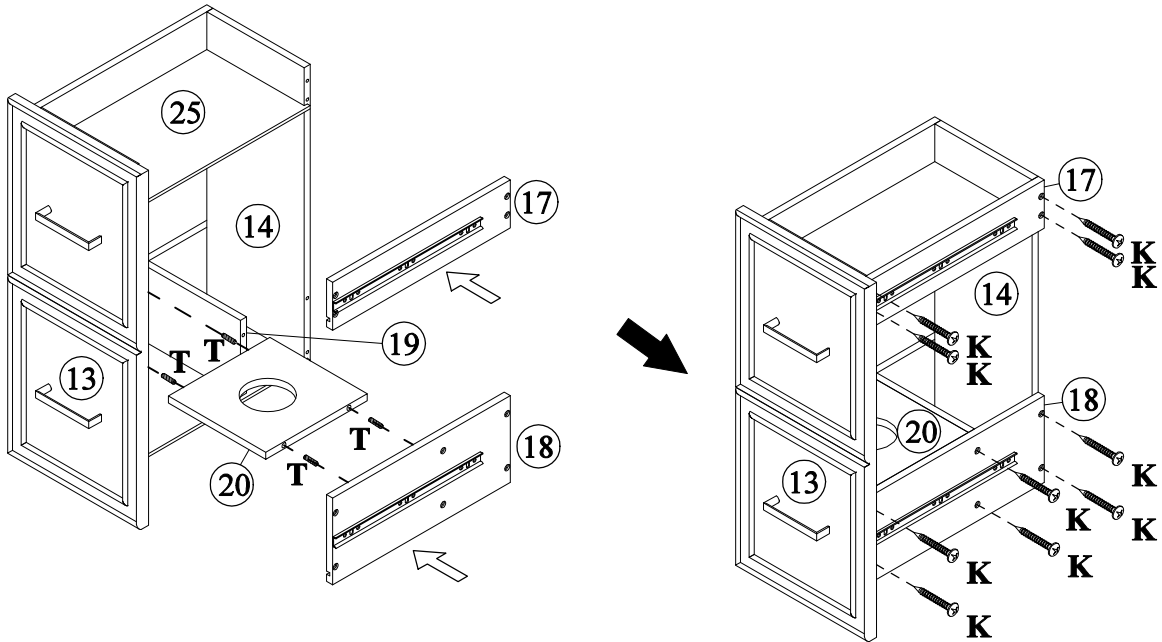


2PCS




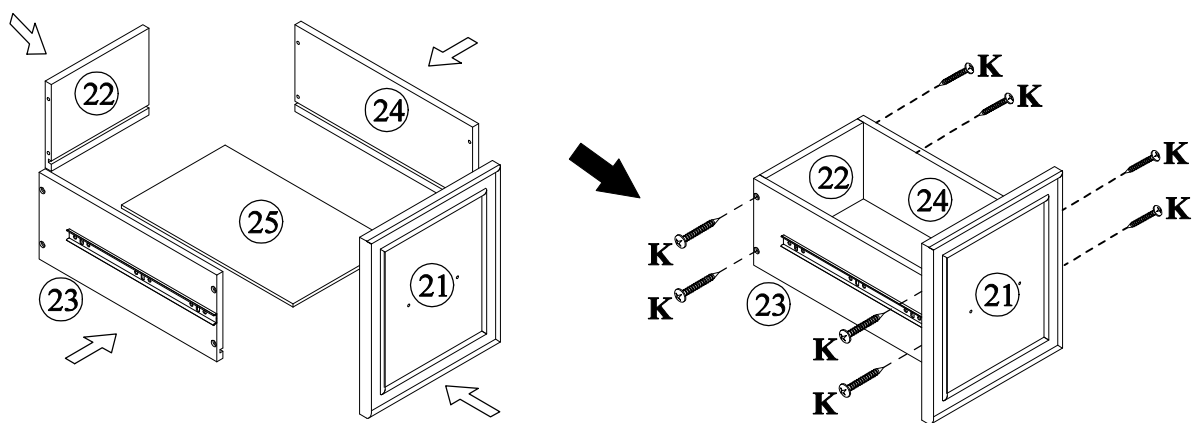
STEP: 15

K	T
	
10PCS	4PCS



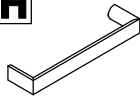
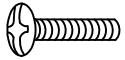
STEP: 16

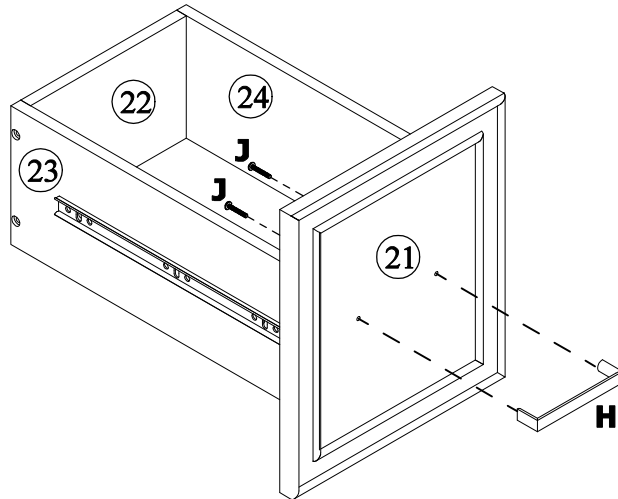
K

16PCS



X2

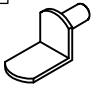
STEP: 17

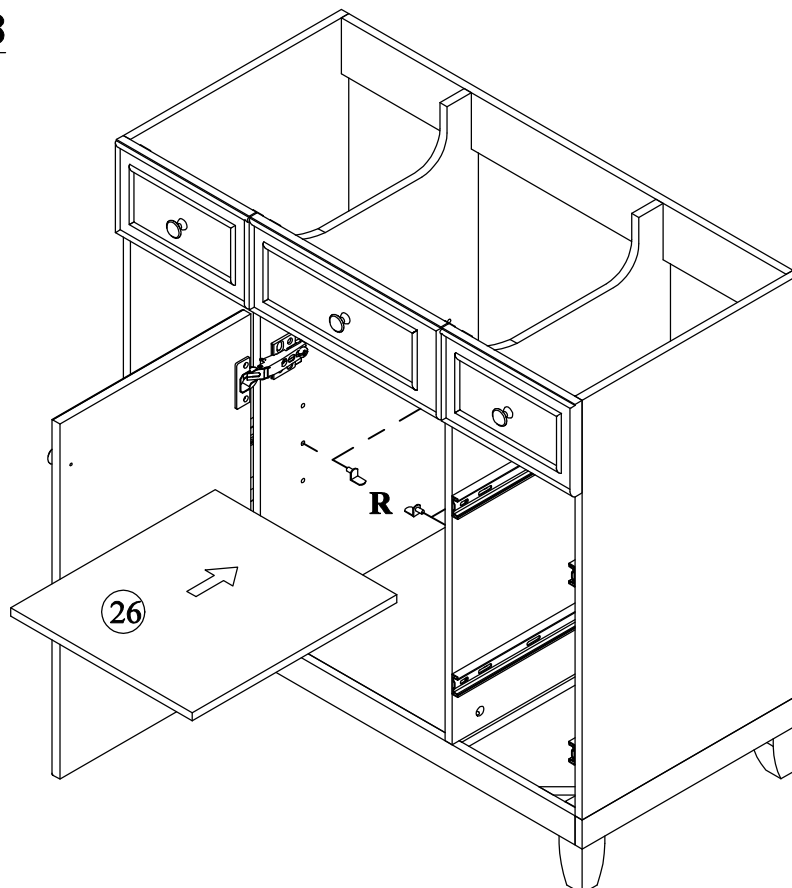
H 	J 
2PCS	4PCS



X2

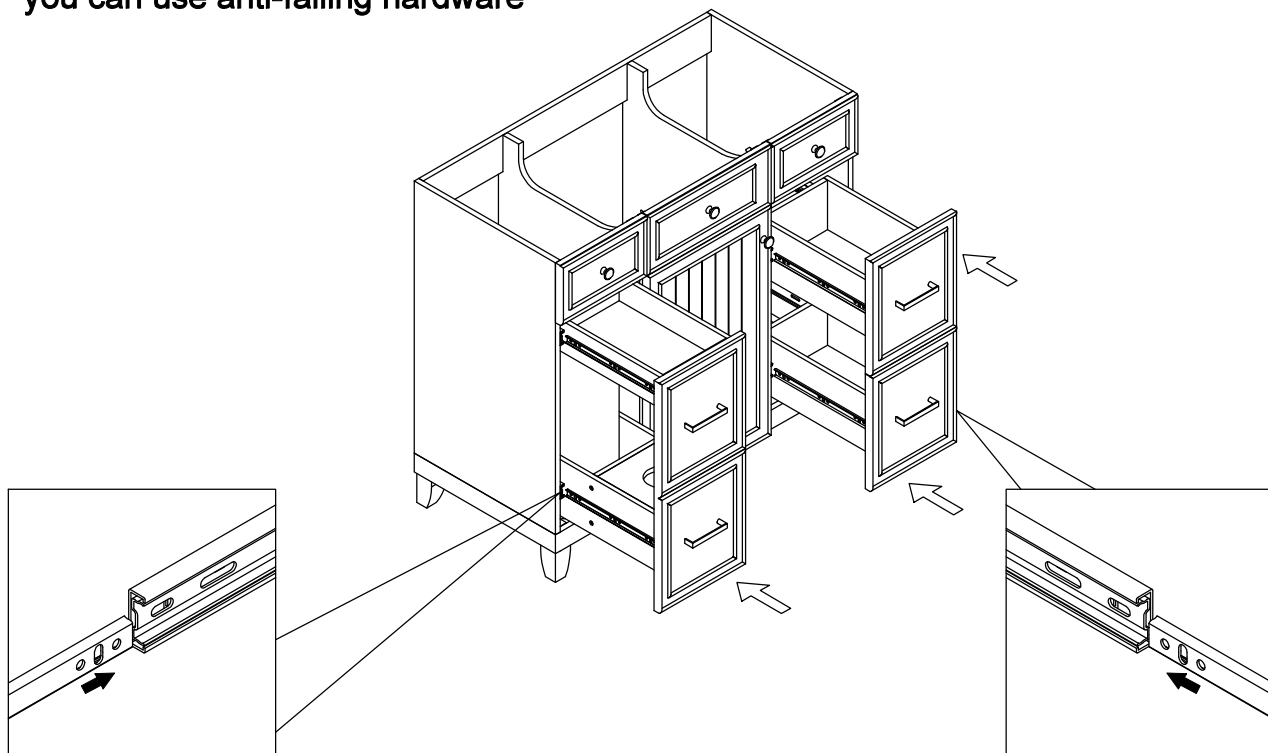
STEP: 18

R 
4PCS



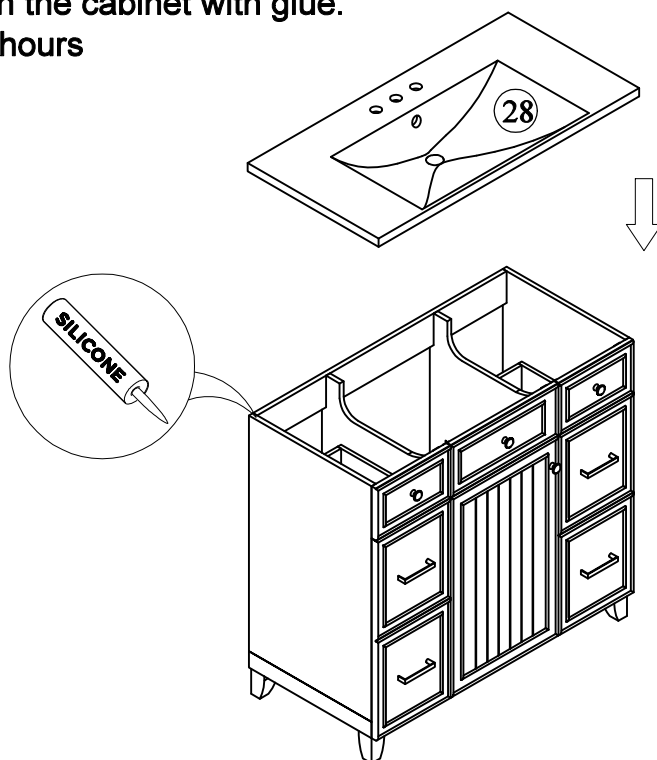
STEP: 19

The structure of the cabinet is quite stable, if you are not sure, you can use anti-falling hardware



STEP: 20

Install the sink on the cabinet with glue.
Let stand for 24 hours



STEP: 21

