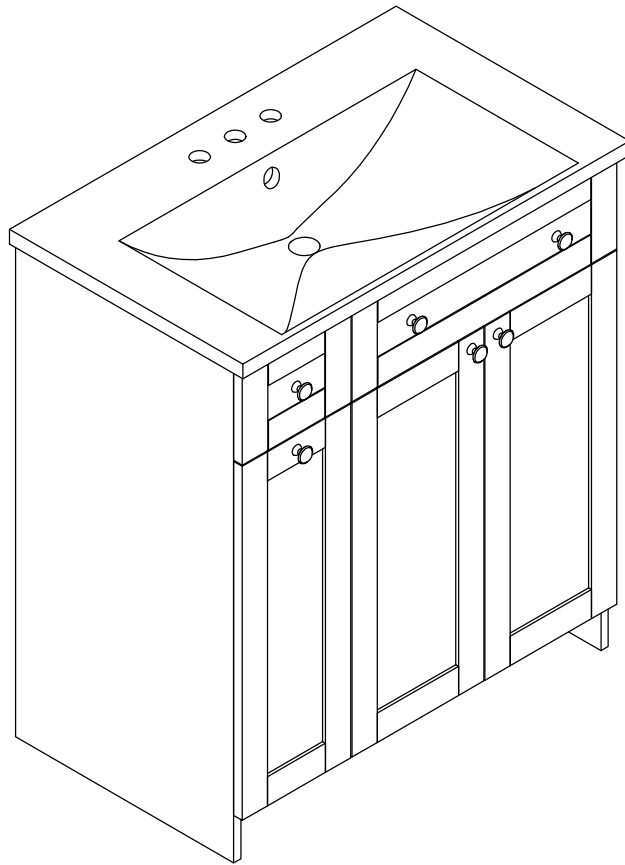


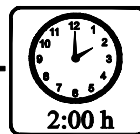
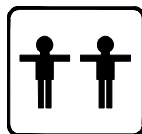
ASSEMBLY INSTRUCTIONS

30 INCH BATH VANITY-CABINET

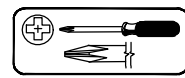


Thank you for purchasing this quality product. Be sure to check all packing material carefully for small parts which may have come loose inside the carton during shipment. Separate, identify and count all parts and hardware. Compare with the parts list to be sure all parts are present.
"DO NOT TIGHTEN SCREWS UNTIL COMPLETELY ASSEMBLED"

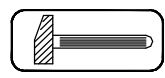
*** Use of power tool to assemble this product will invalidate any claim and damage this product making unsafe !!!**
*** Please assemble on a clean soft surface to avoid damage.**



Tools Required



(Not included)

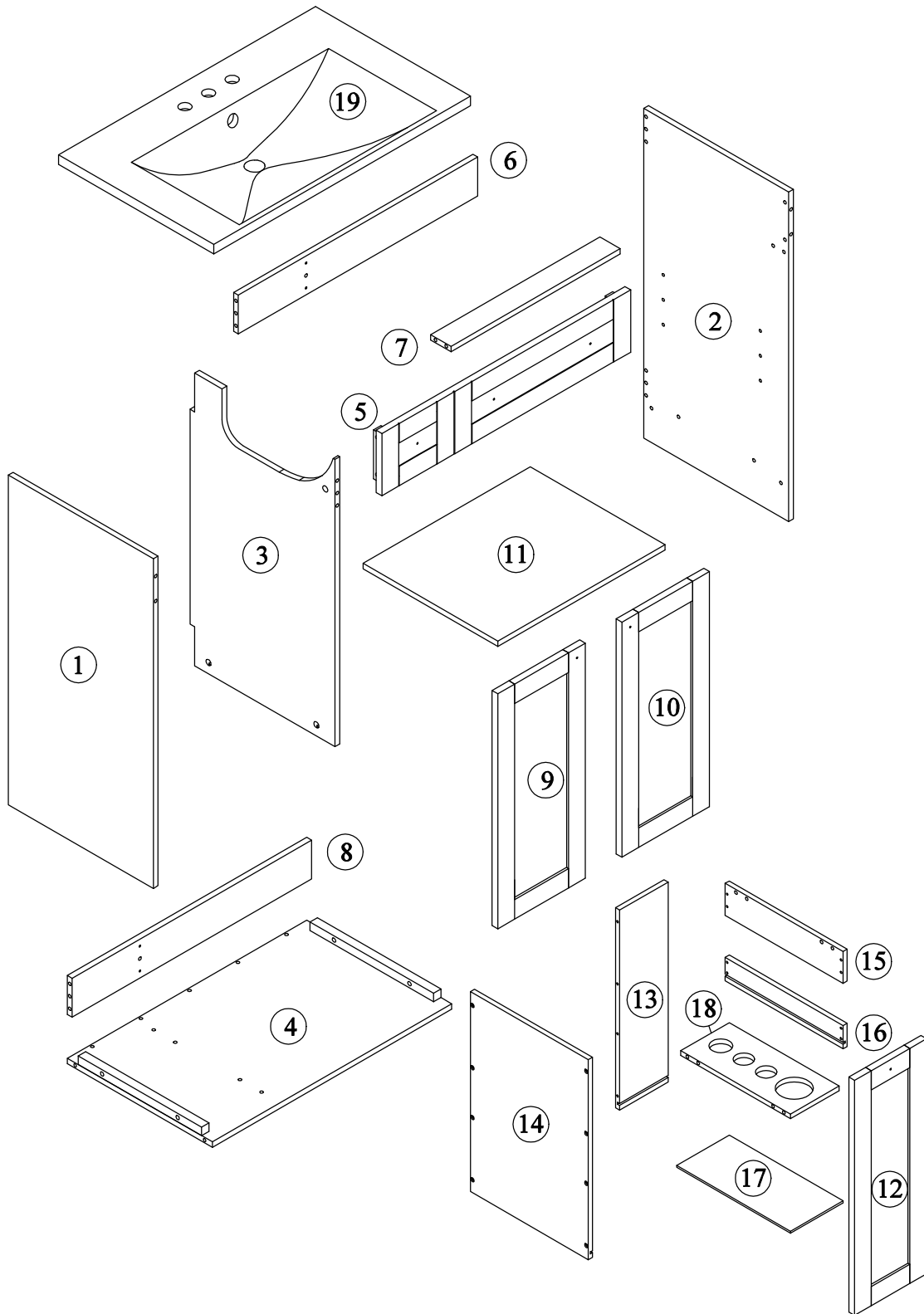


(Not included)

IMPORTANT:

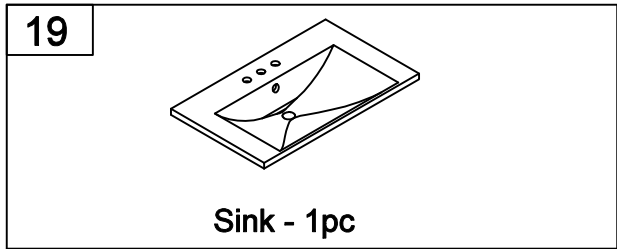
PLEASE READ INSTRUCTION BEFORE STARTING THE ASSEMBLY

Detail View - CABINET


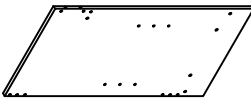

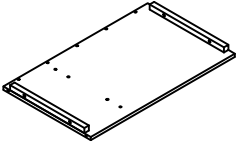
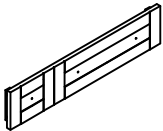
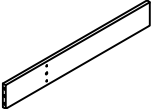
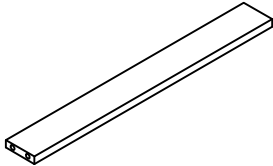
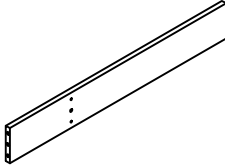

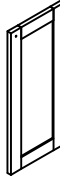


Identifying the Hardware-Identify the hardware using the illustrations below.

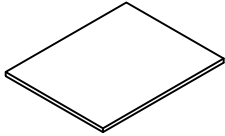


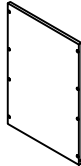
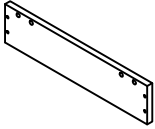

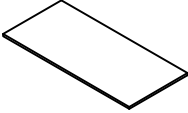
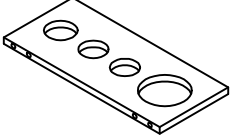
Part List - WF297180





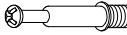


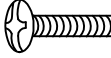
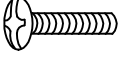

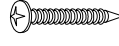
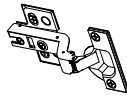
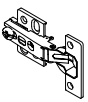
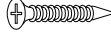
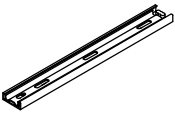
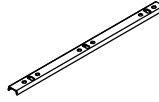
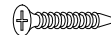

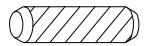
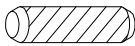

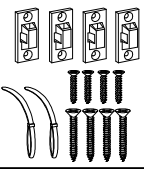
Part List - WF297181

1		2	
Side Panel (L) - 1pc		Side Panel (R) - 1pc	
3		4	
Mid Fixed Panel - 1pc		Bottom Panel - 1pc	
5		6	
Front Panel - 1pc		Back Panel Top - 1pc	
7		8	
Mid Bar - 1pc		Back Panel Bottom - 1pc	
9		10	
Door (L) - 1pc		Door (R) - 1pc	

Part List - WF297181

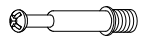
<p>11</p>  <p>Adjustable Shelf - 1pc</p>	<p>12</p>  <p>Drawer Front - 1pc</p>
<p>13</p>  <p>Drawer Back - 1pc</p>	<p>14</p>  <p>Drawer Side (L)- 1pc</p>
<p>15</p>  <p>Drawer Side Top(R) - 1pc</p>	<p>16</p>  <p>Drawer Side Bottom(R) - 1pc</p>
<p>17</p>  <p>Drawer Bottom - 1pc</p>	<p>18</p>  <p>Drawer Mid - 1pc</p>

Hardware List - WF297181

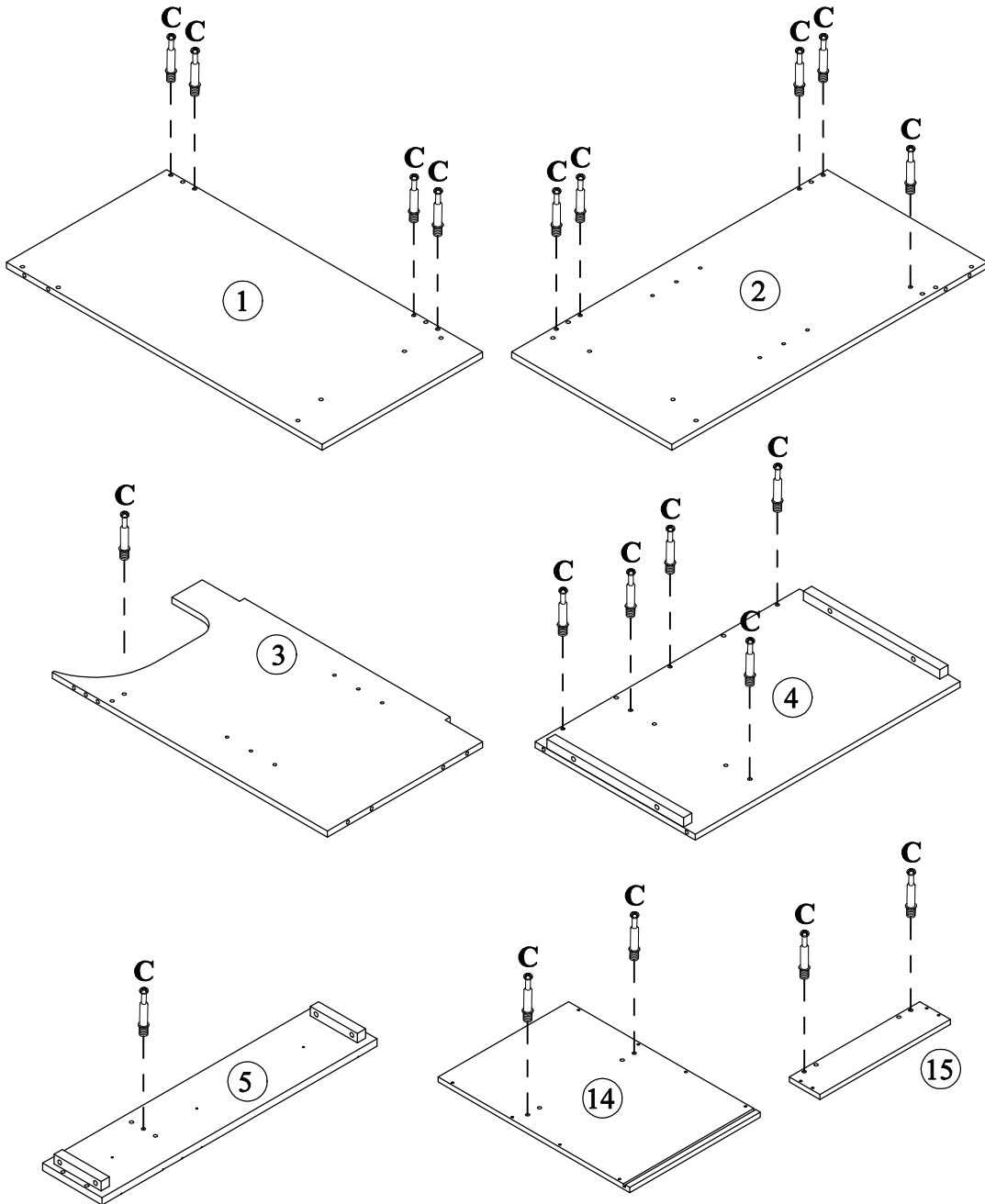
<p>A</p>  <p>$\varnothing 13 \times 1/4" \times 28 \text{mm}$</p>	<p>B</p>  <p>$\varnothing 1/4" \times 16 \times 1 \text{mm}$</p>	<p>C</p>  <p>$\varnothing 6 \times 35 \text{mm}$</p>
<p>Hex-Head bolts(8pcs) Washer(8pcs) Three in one bolts(20pcs)</p>		
<p>D</p>  <p>$\varnothing 14.5 \times 9.5 \text{mm}$</p>	<p>E</p> 	<p>F</p>  <p>$\varnothing 5/32" \times 15 \text{mm}$</p>
<p>Three in one lock(20pcs) Handle(6pcs) Handle screw(3pcs)</p>		
<p>G</p>  <p>$\varnothing 5/32" \times 19 \text{mm}$</p>	<p>H</p>  <p>$\varnothing 8 \times \varnothing 4 \times 32 \text{mm}$</p>	<p>I</p>  <p>$\varnothing 8 \times \varnothing 4 \times 25 \text{mm}$</p>
<p>Handle screw(3pcs) Round head screw(16pcs) Round head screw(4pcs)</p>		
<p>J</p> 	<p>K</p> 	<p>L</p>  <p>$\varnothing 7 \times \varnothing 3.5 \times 15 \text{mm}$</p>
<p>Damping hinge (2pcs) Damping hinge(2pcs) Flat head screw(24pcs)</p>		
<p>M</p>  <p>$\varnothing 300 \times 35 \text{mm}$</p>	<p>N</p>  <p>$\varnothing 298 \times 18 \text{mm}$</p>	<p>O</p>  <p>$\varnothing 6 \times \varnothing 3 \times 12 \text{mm}$</p>
<p>Slide rails (4pcs) Slide rails (4pcs) Flat head screw(24pcs)</p>		
<p>P</p> 	<p>Q</p>  <p>$\varnothing 6 \times 30 \text{mm}$</p>	<p>R</p>  <p>$\varnothing 8 \times 30 \text{mm}$</p>
<p>Laminate pad(4pcs) Wood dowel(4pcs) Wood dowel(22pcs)</p>		
<p>S</p>  <p>4mm</p>	<p>T</p>  <p>Anti fall hardware(1set)</p>	
<p>Allen key(1pc) Anti fall hardware(1set)</p>		

STEP: 1



C

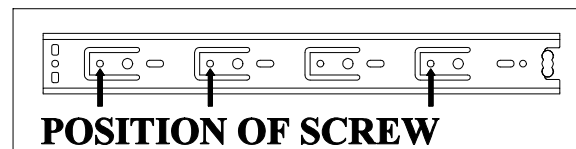
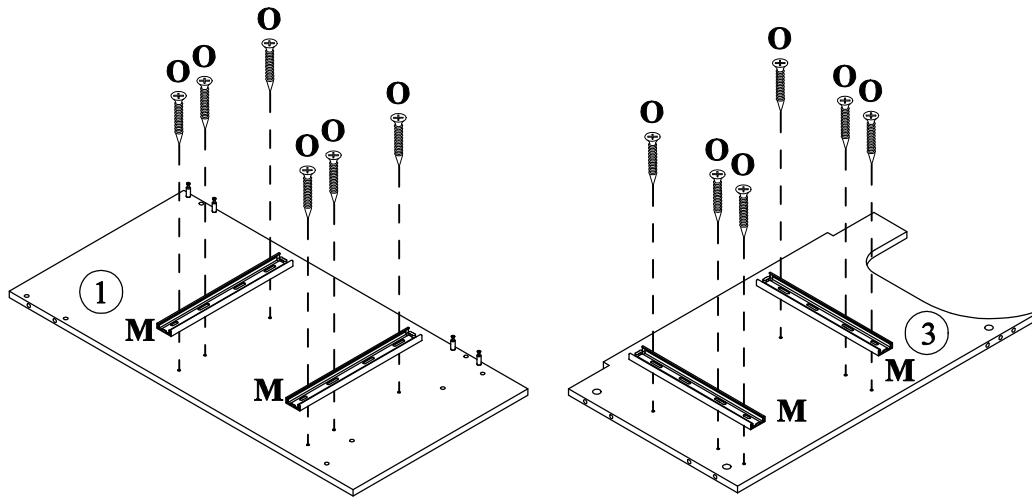


20PCS





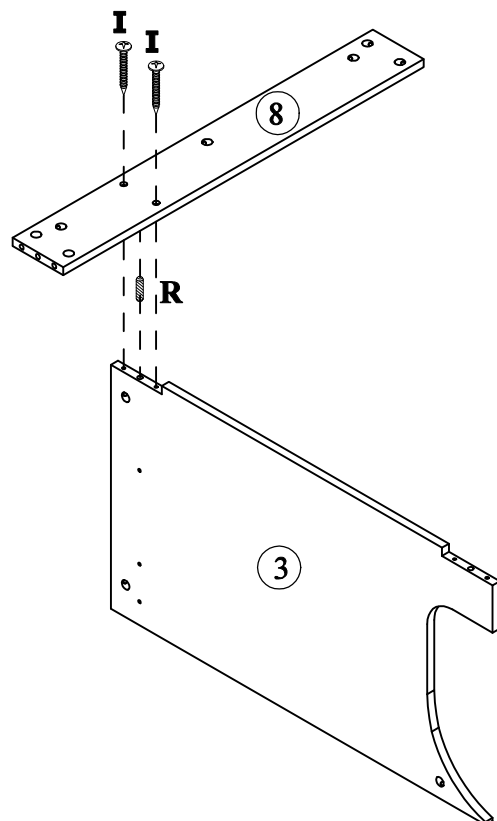
STEP: 2

M		O	
	4PCS		12PCS

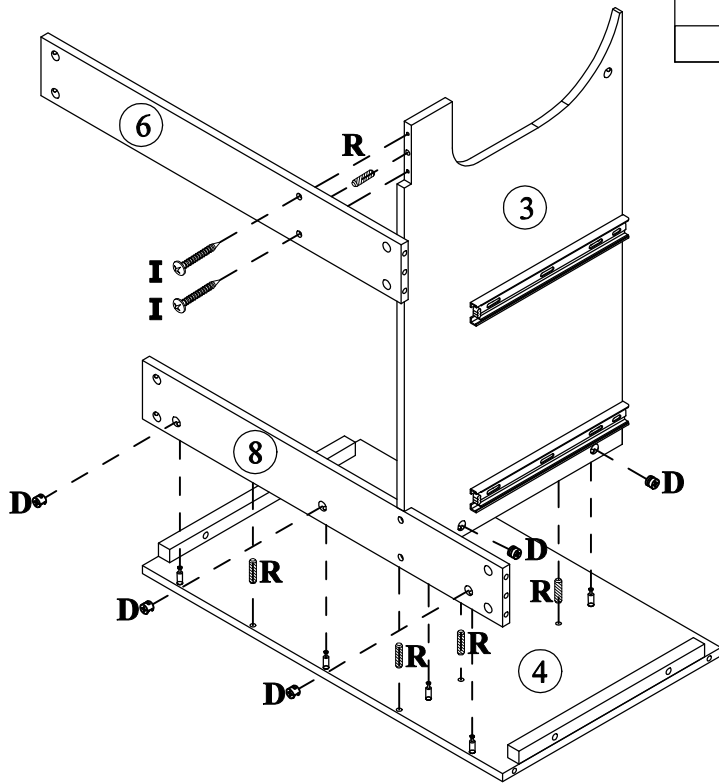



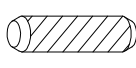

STEP: 3

I		R	
	2PCS		1PC

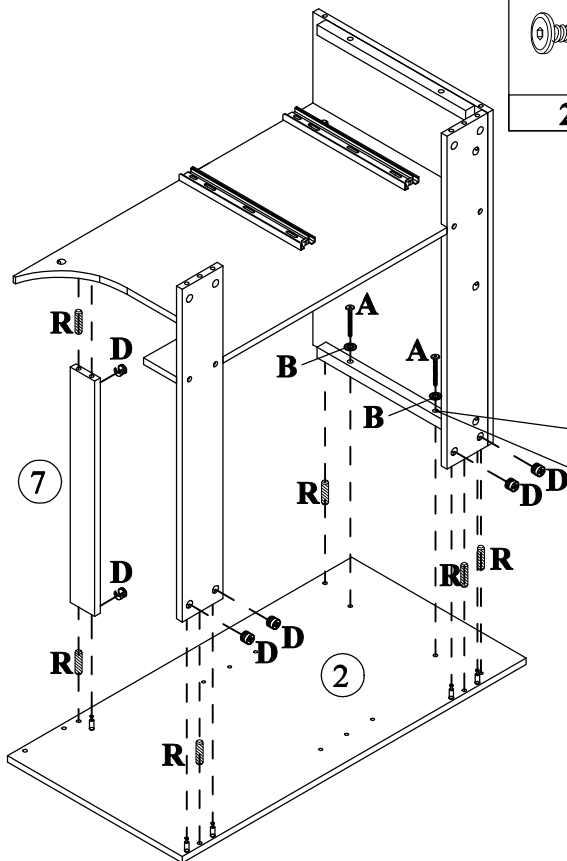





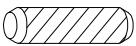
STEP: 4

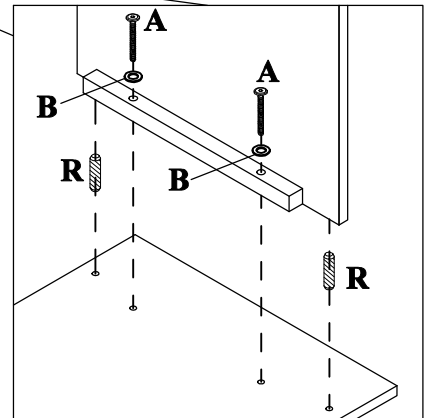


D	R	I
		
5PCS	5PCS	2PCS

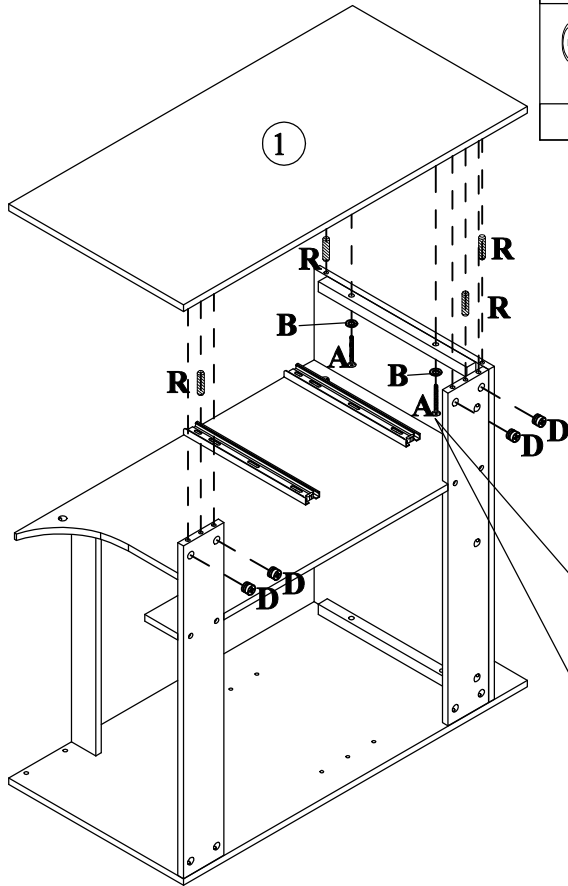
STEP: 5







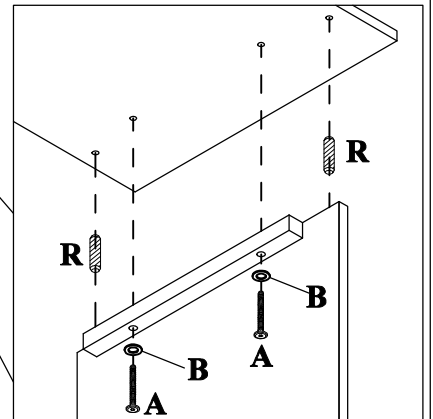
A	B	D
		
2PCS	2PCS	6PCS
		R
		
		6PCS



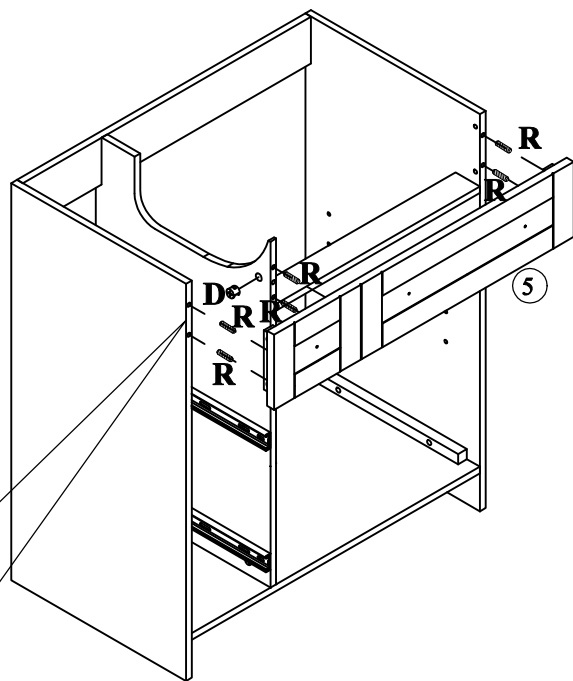
STEP: 6

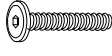





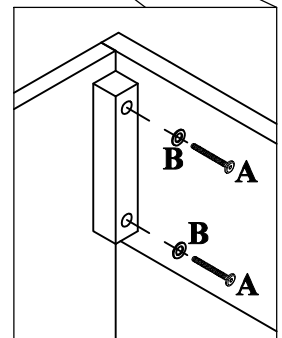
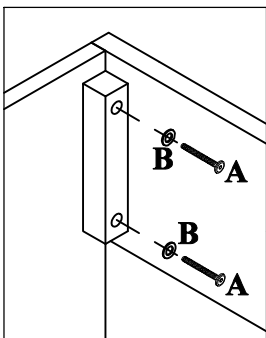
A 	B 	D 
2PCS	2PCS	4PCS
R 		
4PCS		




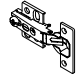

STEP: 7

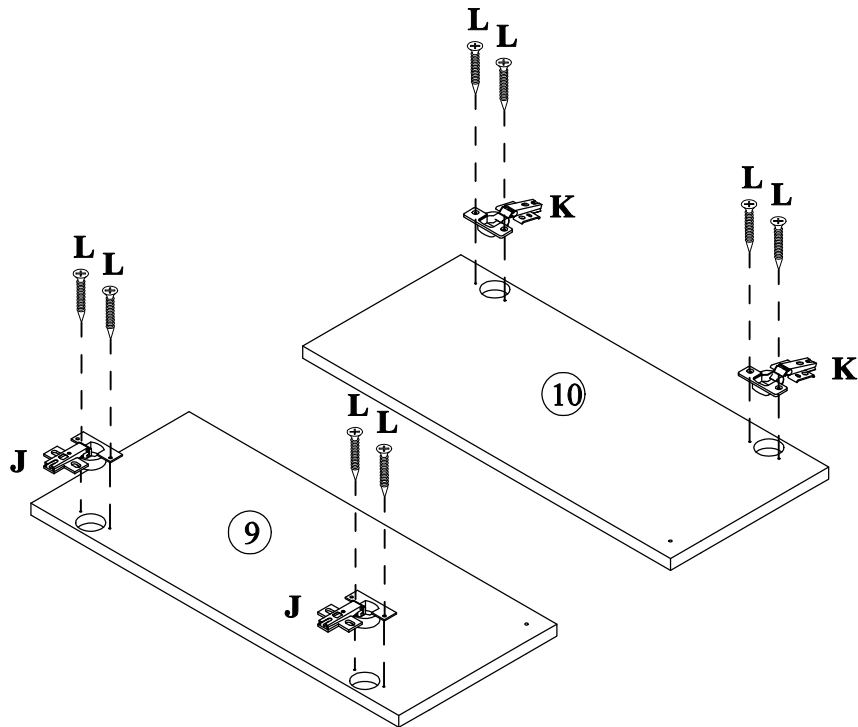


A 	B 	D 	R 
4PCS	4PCS	1PC	6PCS


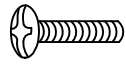
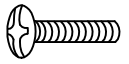



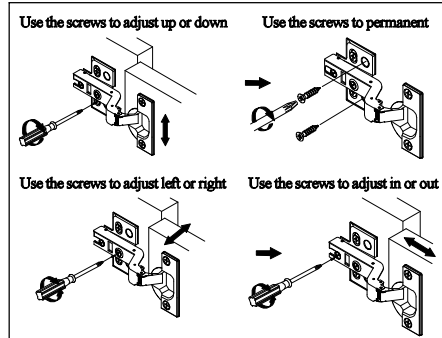
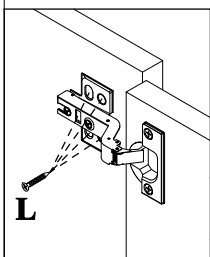
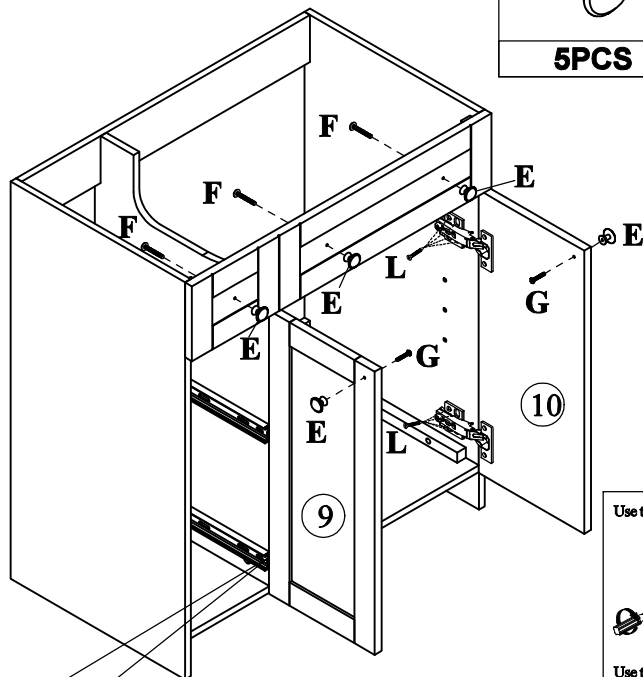
STEP: 8

J	K	L
		
2PCS	2PCS	8PCS


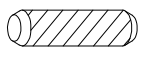


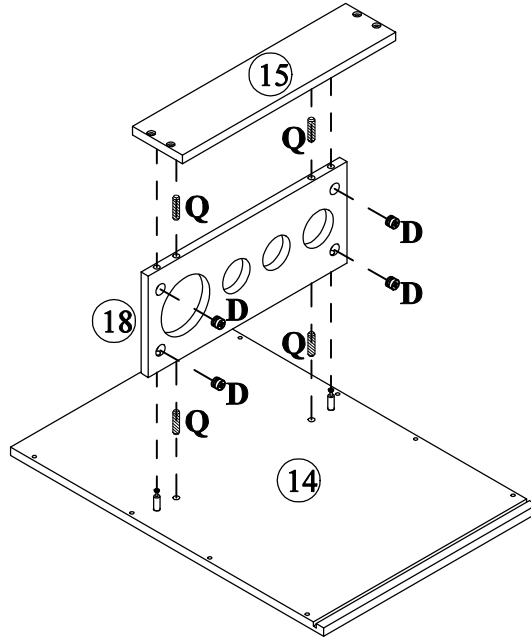
STEP: 9

E	F	G
		
5PCS	3PCS	2PCS
		L
		
		16PCS




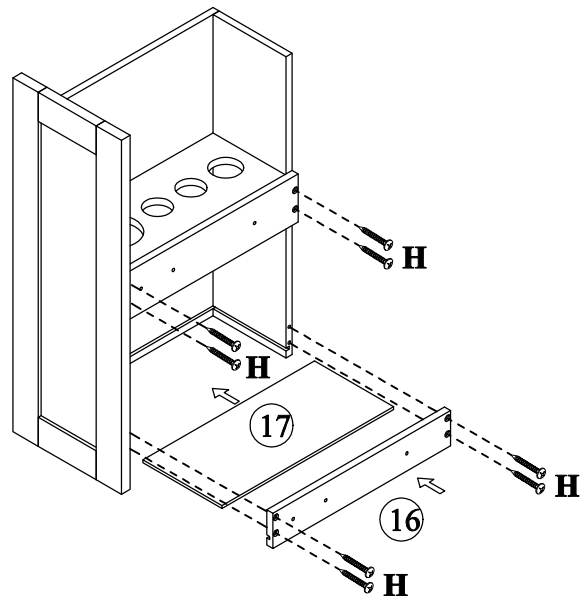
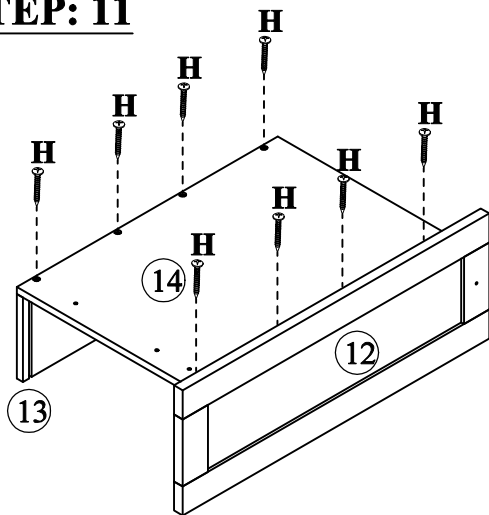
STEP: 10

D		Q	
4PCS		4PCS	


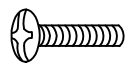
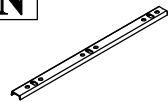



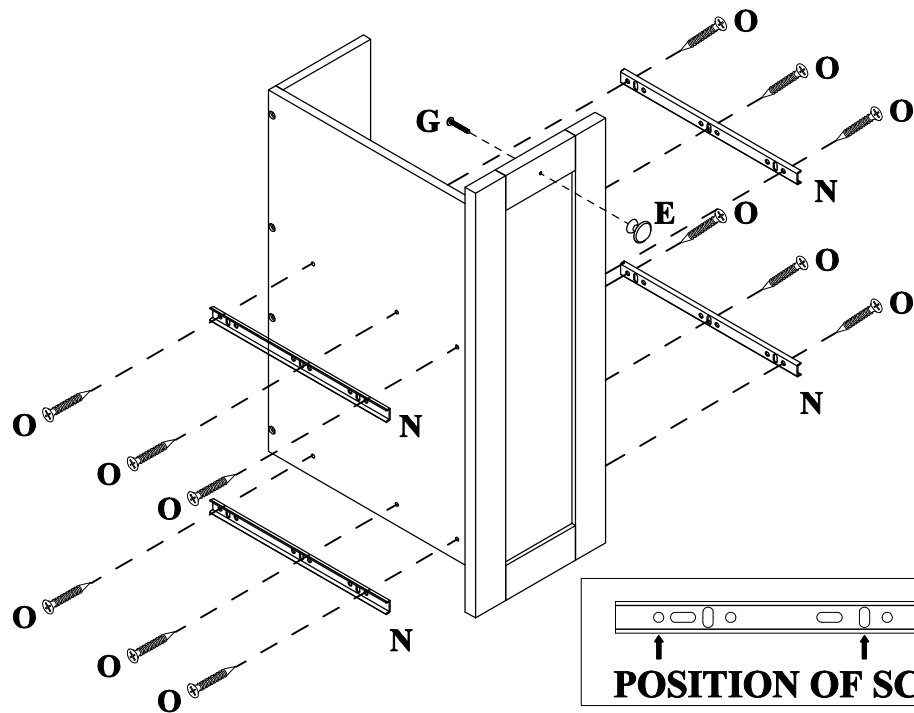
STEP: 11

H	
16PCS	

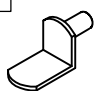


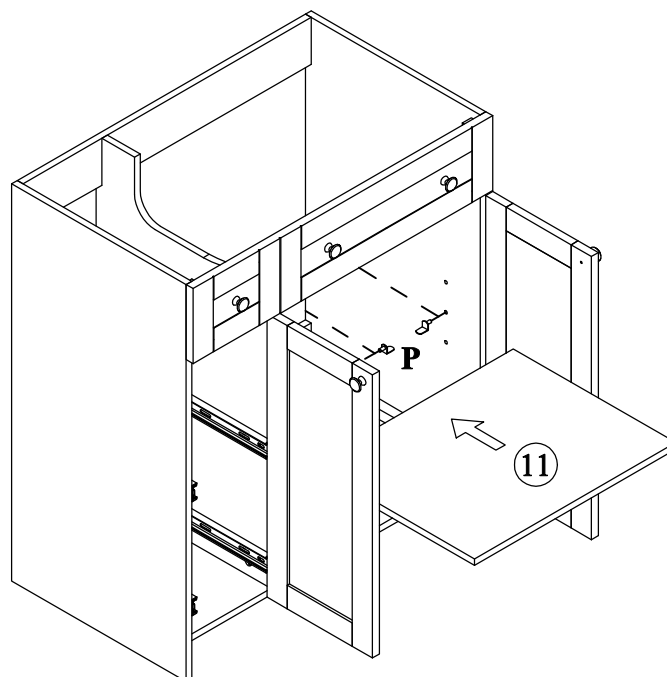
STEP: 12

E		G		N		O	
	1PC		1PC		4PCS		12PCS



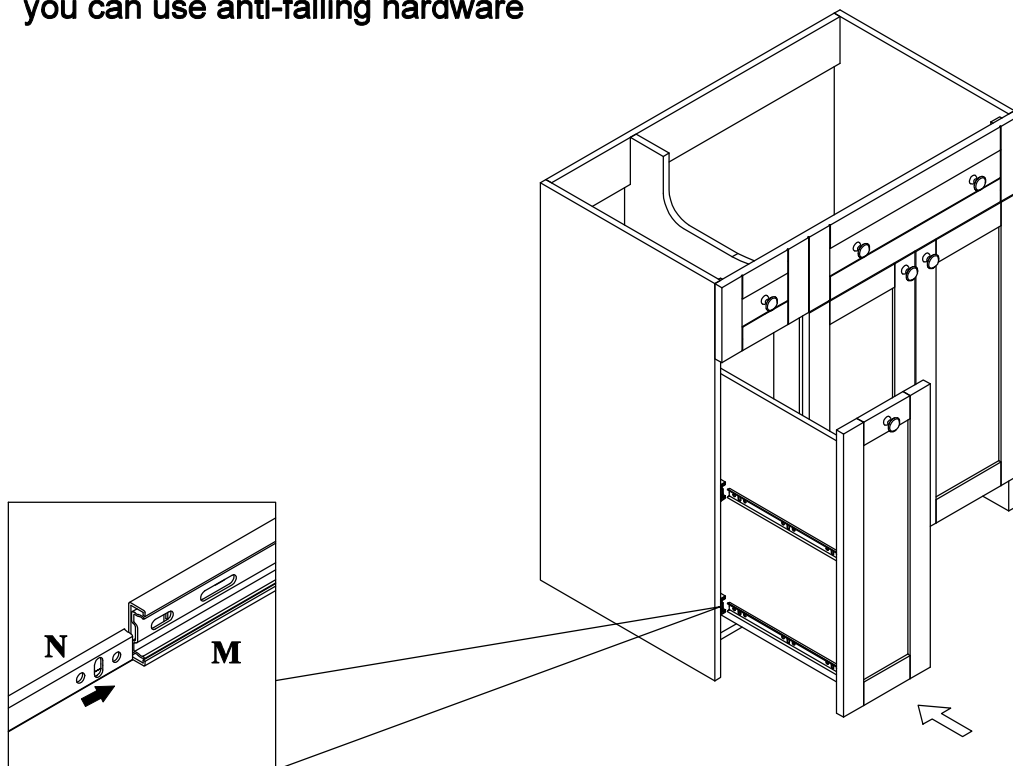
STEP: 13

P	
	4PCS



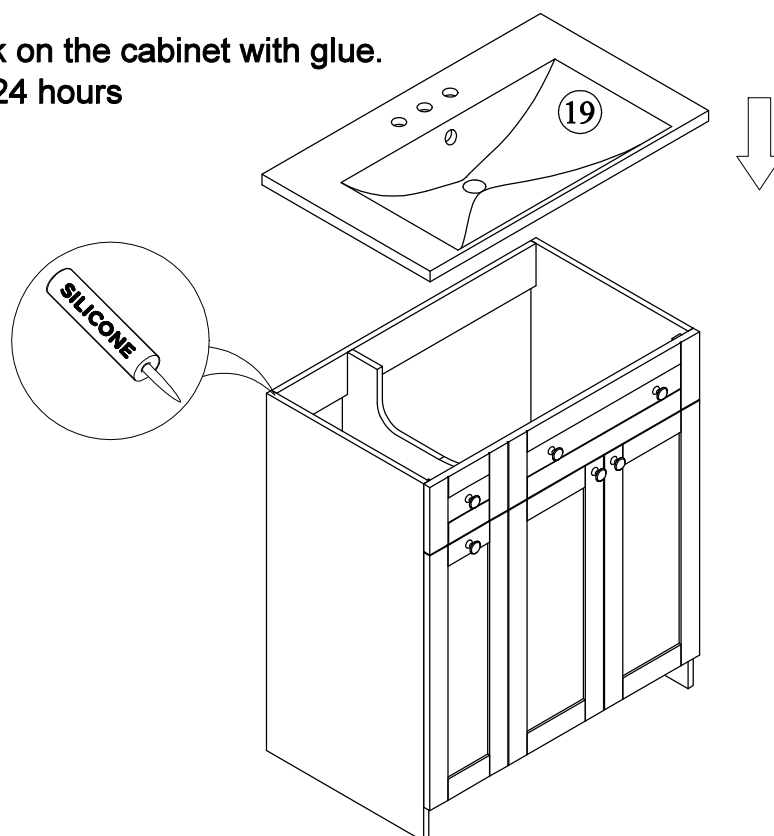
STEP: 14

The structure of the cabinet is quite stable, if you are not sure, you can use anti-falling hardware



STEP: 15

Install the sink on the cabinet with glue.
Let stand for 24 hours



STEP: 16

