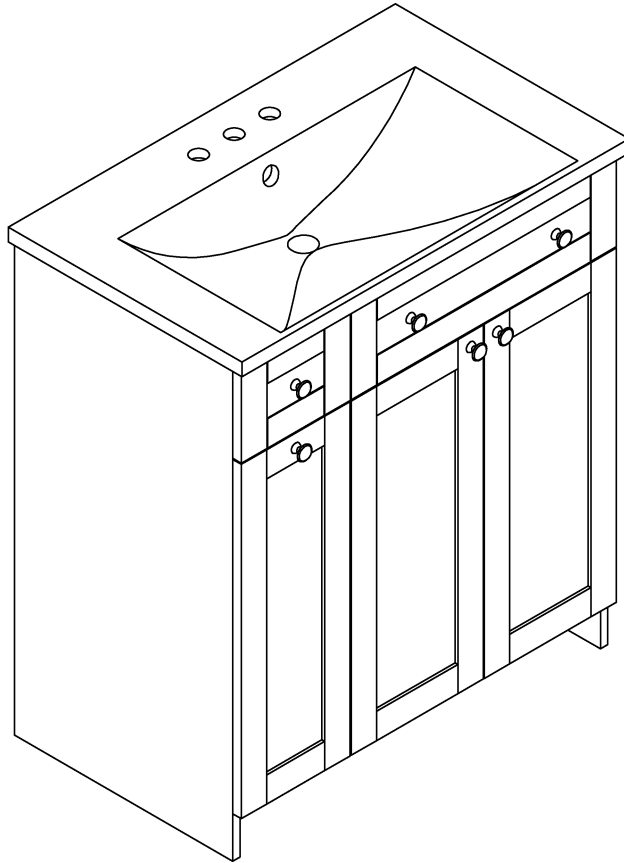



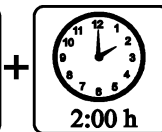
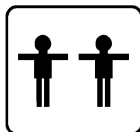
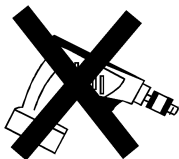
# ASSEMBLY INSTRUCTIONS

## 30 INCH BATH VANITY-CABINET

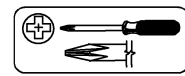


Thank you for purchasing this quality product. Be sure to check all packing material carefully for small parts which may have come loose inside the carton during shipment. Separate, identify and count all parts and hardware. Compare with the parts list to be sure all parts are present. "DO NOT TIGHTEN SCREWS UNTIL COMPLETELY ASSEMBLED"

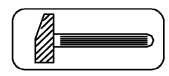
  
\* Use of power tool to assemble this product will invalidate any claim and damage this product making unsafe !!!  
\* Please assemble on a clean soft surface to avoid damage.



Tools Required



(Not included)

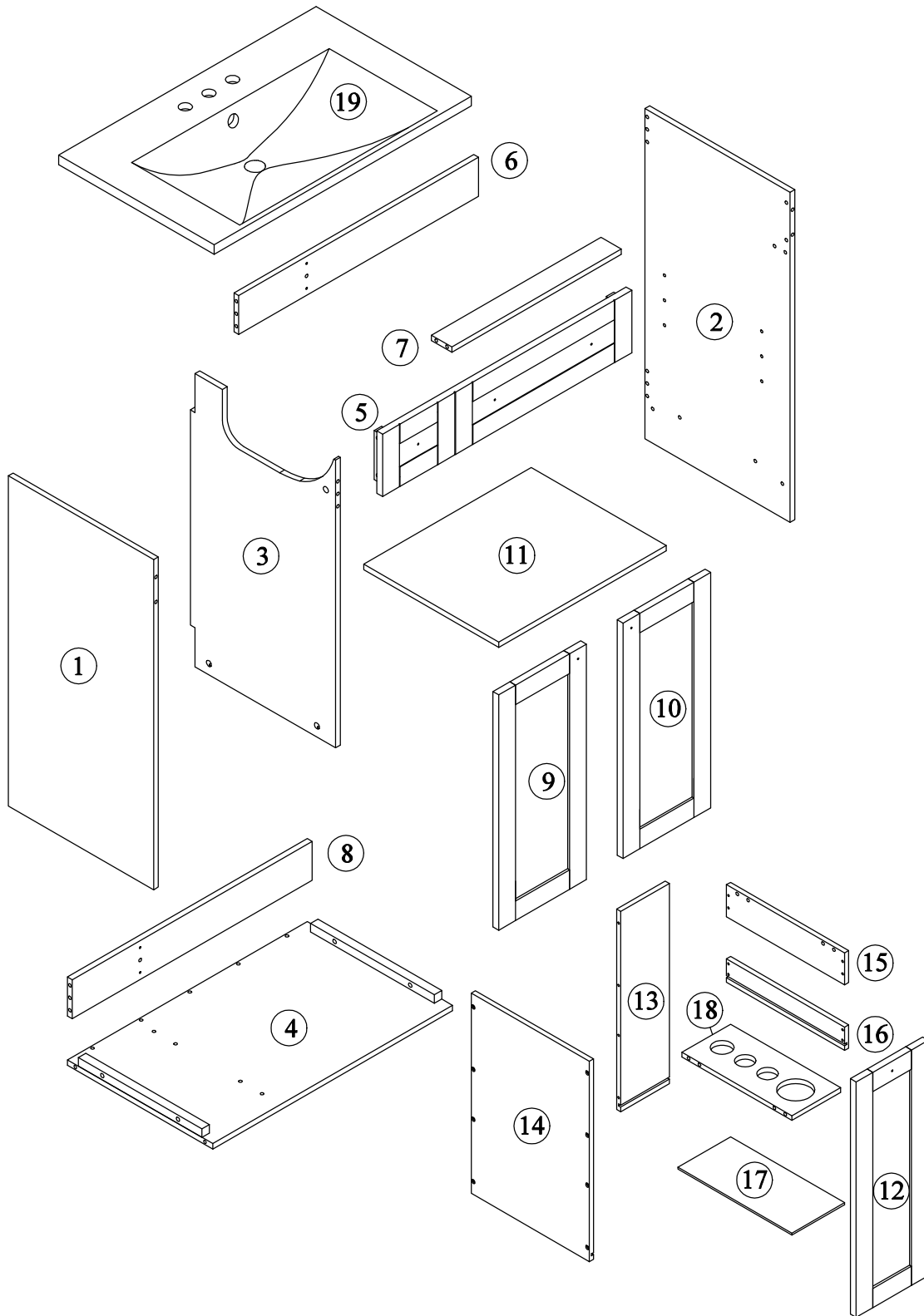


(Not included)

**IMPORTANT:**

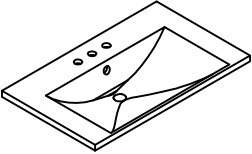
**PLEASE READ INSTRUCTION BEFORE STARTING THE ASSEMBLY**

## Detail View - CABINET


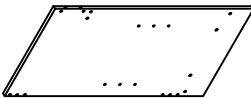

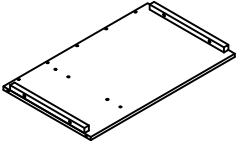
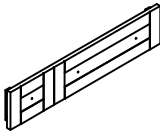
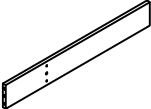
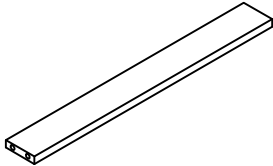
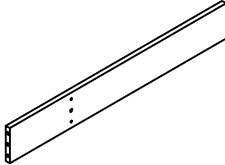

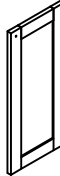


**Identifying the Hardware**-Identify the hardware using the illustrations below.

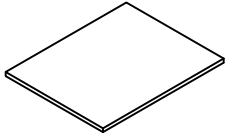


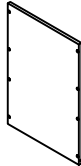
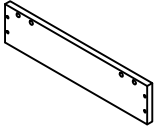

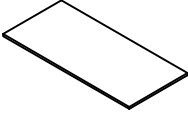
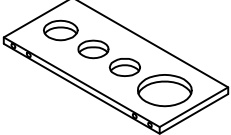
## Part List - WF297180

<b>19</b>	
<b>Sink - 1pc</b>	



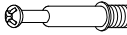


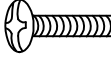
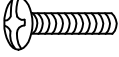

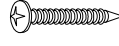
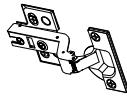
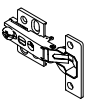
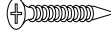
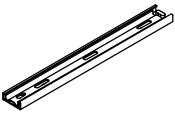
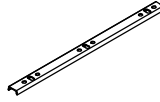
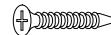

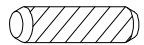
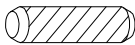

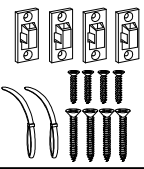
## Part List - WF297181

<b>1</b>		<b>2</b>	
<b>Side Panel (L) - 1pc</b>		<b>Side Panel (R) - 1pc</b>	
<b>3</b>		<b>4</b>	
<b>Mid Fixed Panel - 1pc</b>		<b>Bottom Panel - 1pc</b>	
<b>5</b>		<b>6</b>	
<b>Front Panel - 1pc</b>		<b>Back Panel Top - 1pc</b>	
<b>7</b>		<b>8</b>	
<b>Mid Bar - 1pc</b>		<b>Back Panel Bottom - 1pc</b>	
<b>9</b>		<b>10</b>	
<b>Door (L) - 1pc</b>		<b>Door (R) - 1pc</b>	

# Part List - WF297181

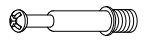
<p><b>11</b></p>  <p>Adjustable Shelf - 1pc</p>	<p><b>12</b></p>  <p>Drawer Front - 1pc</p>
<p><b>13</b></p>  <p>Drawer Back - 1pc</p>	<p><b>14</b></p>  <p>Drawer Side (L)- 1pc</p>
<p><b>15</b></p>  <p>Drawer Side Top(R) - 1pc</p>	<p><b>16</b></p>  <p>Drawer Side Bottom(R) - 1pc</p>
<p><b>17</b></p>  <p>Drawer Bottom - 1pc</p>	<p><b>18</b></p>  <p>Drawer Mid - 1pc</p>

# Hardware List - WF297181

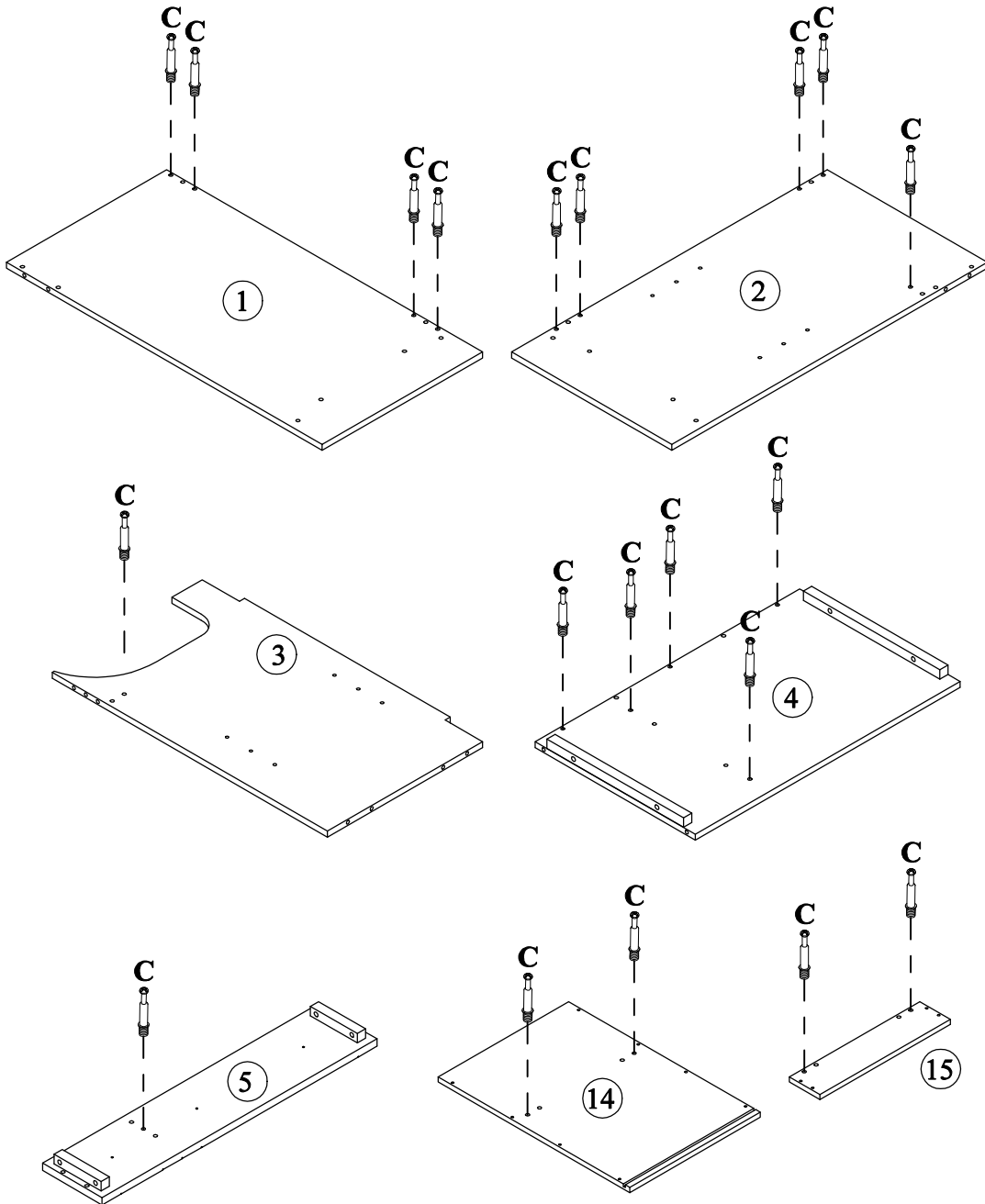
<p><b>A</b></p>  <p>ø13x1/4"x28mm</p>	<p><b>B</b></p>  <p>ø1/4"x16x1mm</p>	<p><b>C</b></p>  <p>ø6x35mm</p>
<p>Hex-Head bolts(8pcs)      Washer(8pcs)      Three in one bolts(20pcs)</p>		
<p><b>D</b></p>  <p>ø14.5x9.5mm</p>	<p><b>E</b></p> 	<p><b>F</b></p>  <p>ø5/32"x15mm</p>
<p>Three in one lock(20pcs)      Handle(6pcs)      Handle screw(3pcs)</p>		
<p><b>G</b></p>  <p>ø5/32"x19mm</p>	<p><b>H</b></p>  <p>ø8xø4x32mm</p>	<p><b>I</b></p>  <p>ø8xø4x25mm</p>
<p>Handle screw(3pcs)      Round head screw(16pcs)      Round head screw(4pcs)</p>		
<p><b>J</b></p> 	<p><b>K</b></p> 	<p><b>L</b></p>  <p>ø7xø3.5x15mm</p>
<p>Damping hinge (2pcs)      Damping hinge(2pcs)      Flat head screw(24pcs)</p>		
<p><b>M</b></p>  <p>ø300x35mm</p>	<p><b>N</b></p>  <p>ø298x18mm</p>	<p><b>O</b></p>  <p>ø6xø3x12mm</p>
<p>Slide rails (4pcs)      Slide rails (4pcs)      Flat head screw(24pcs)</p>		
<p><b>P</b></p> 	<p><b>Q</b></p>  <p>ø6x30mm</p>	<p><b>R</b></p>  <p>ø8x30mm</p>
<p>Laminate pad(4pcs)      Wood dowel(4pcs)      Wood dowel(22pcs)</p>		
<p><b>S</b></p>  <p>4mm</p>	<p><b>T</b></p>  <p>Anti fall hardware(1set)</p>	

# STEP: 1



C

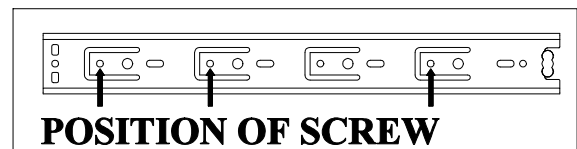
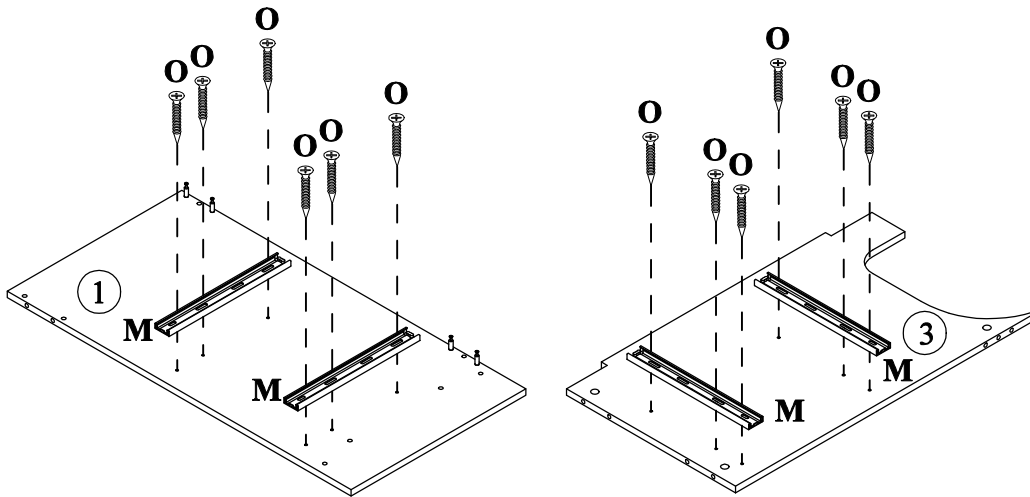


20PCS





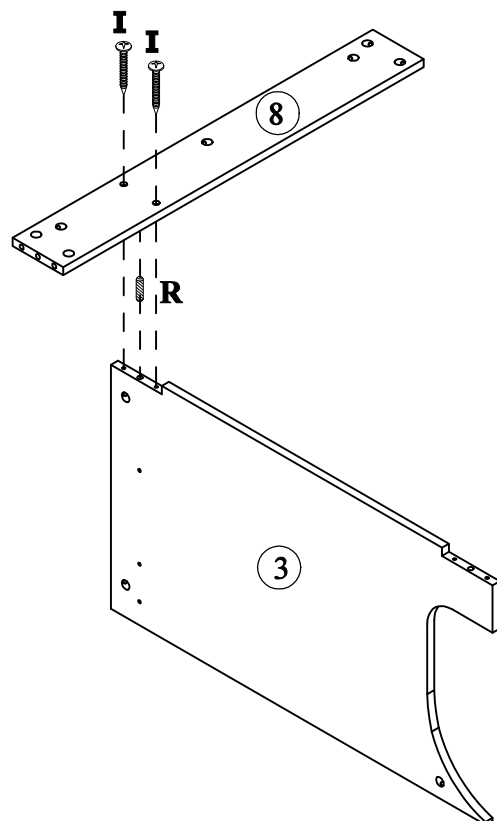
## STEP: 2

<b>M</b>		<b>O</b>	
	<b>4PCS</b>		<b>12PCS</b>

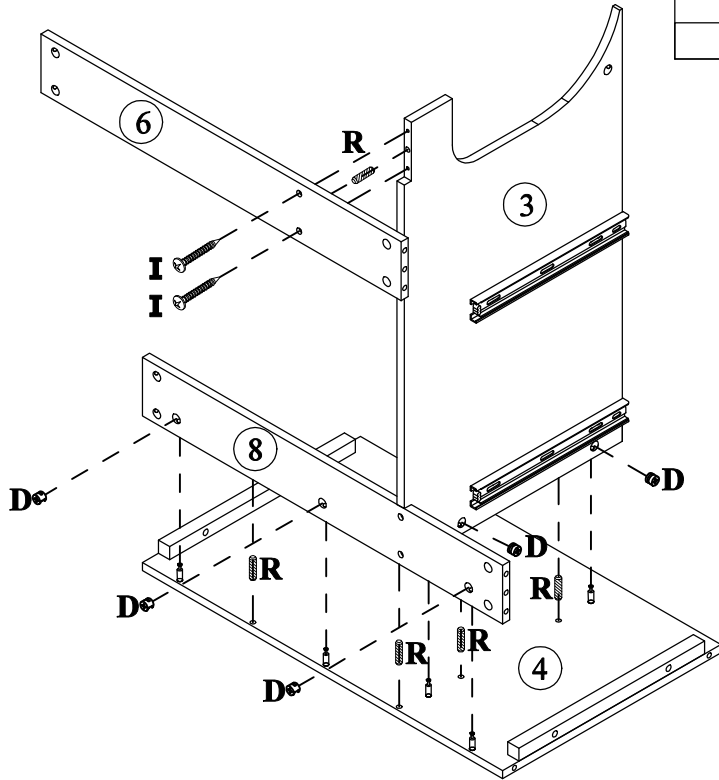





## STEP: 3

<b>I</b>		<b>R</b>	
	<b>2PCS</b>		<b>1PC</b>

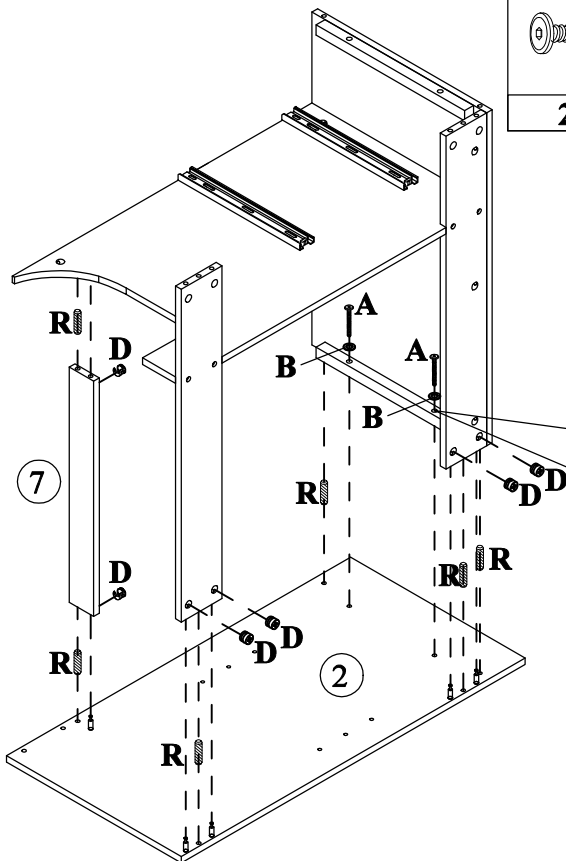






**STEP: 4**

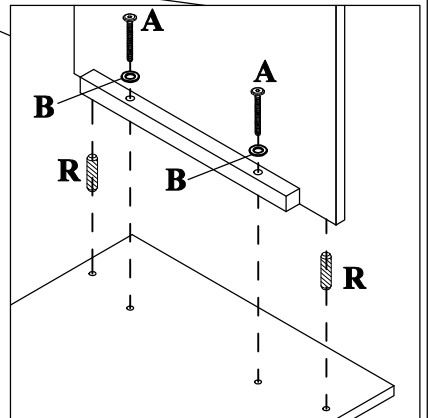


<b>D</b>	<b>R</b>	<b>I</b>
		
<b>5PCS</b>	<b>5PCS</b>	<b>2PCS</b>

**STEP: 5**

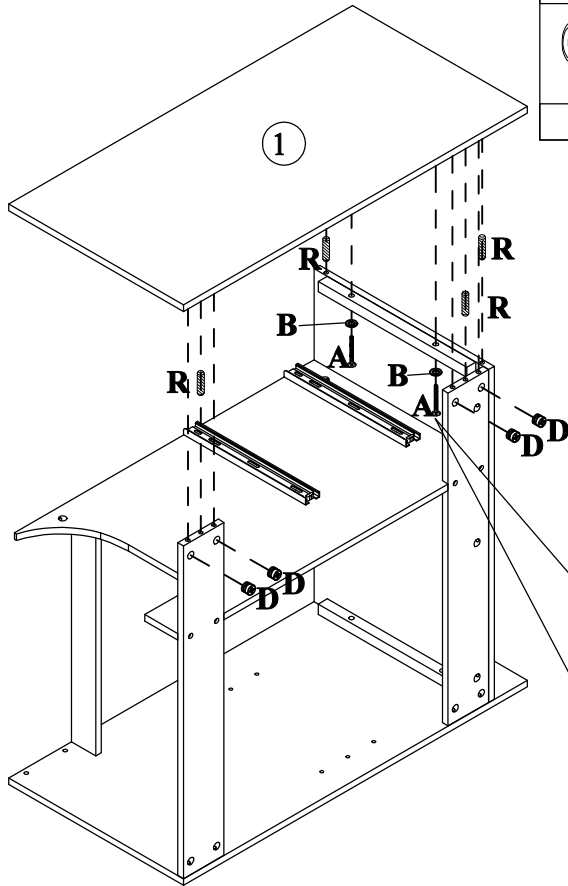






<b>A</b>	<b>B</b>	<b>D</b>
		
<b>2PCS</b>	<b>2PCS</b>	<b>6PCS</b>
		<b>R</b>
		
		<b>6PCS</b>

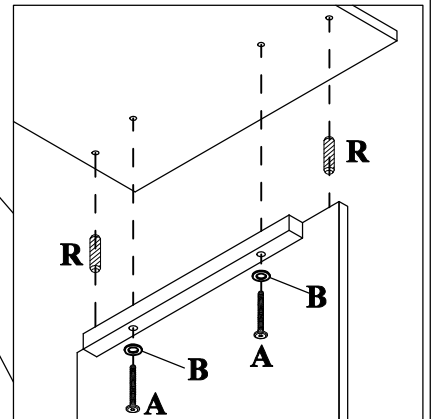




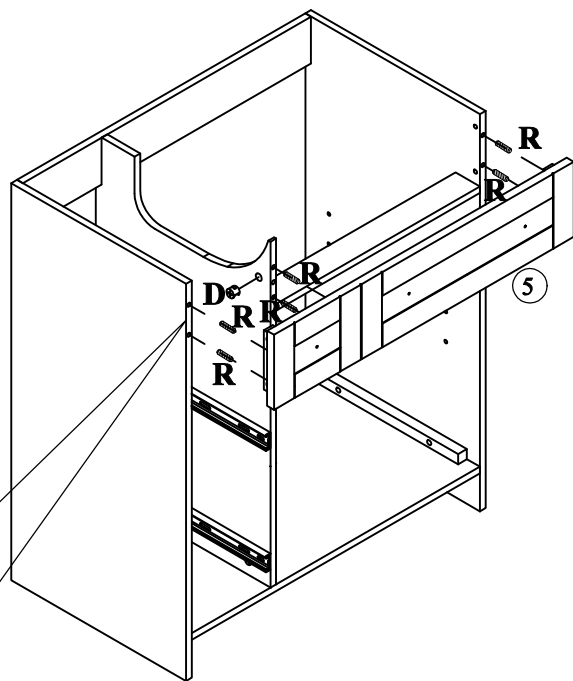
**STEP: 6**







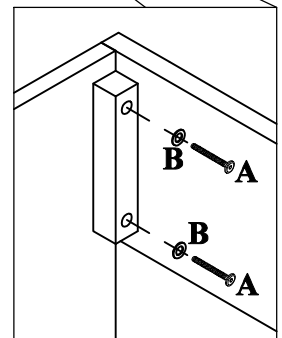
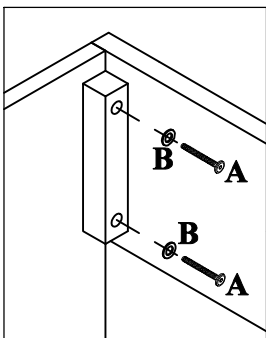
<b>A</b> 	<b>B</b> 	<b>D</b> 
<b>2PCS</b>	<b>2PCS</b>	<b>4PCS</b>
<b>R</b> 		
<b>4PCS</b>		




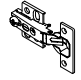

**STEP: 7**

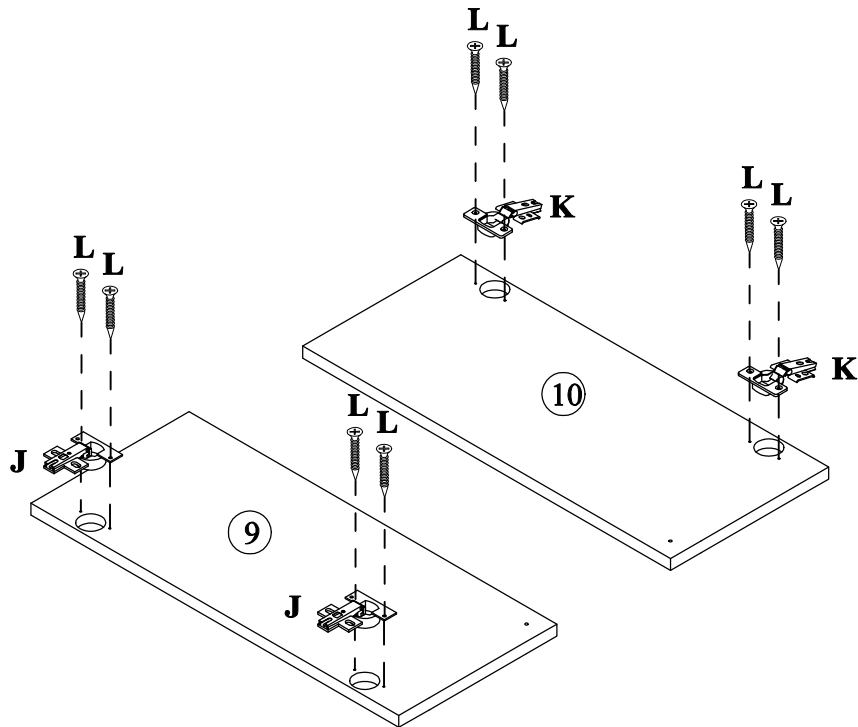


<b>A</b> 	<b>B</b> 	<b>D</b> 	<b>R</b> 
<b>4PCS</b>	<b>4PCS</b>	<b>1PC</b>	<b>6PCS</b>


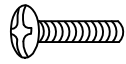
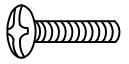



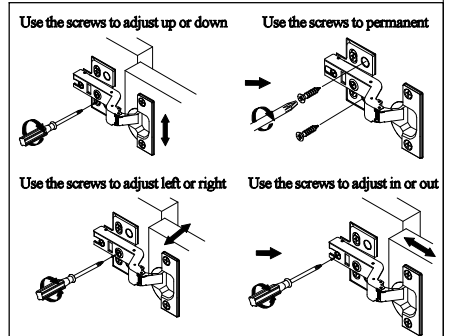
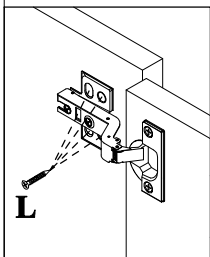
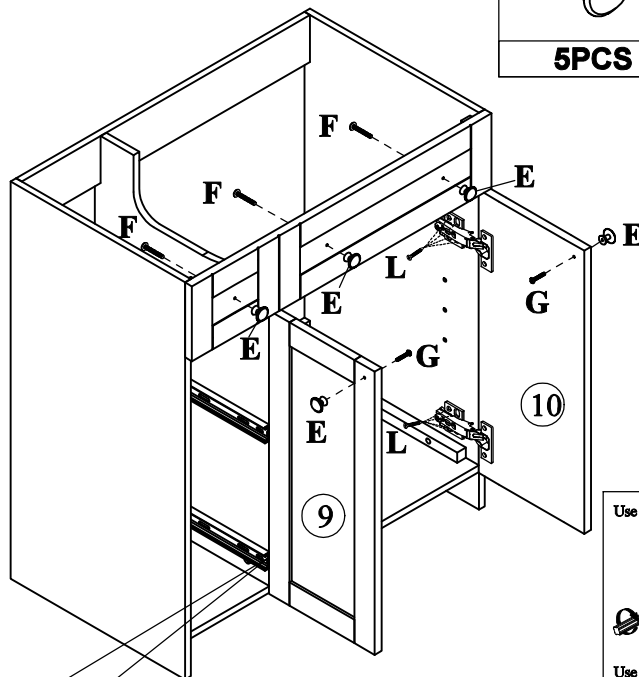
# STEP: 8

<b>J</b>	<b>K</b>	<b>L</b>
		
<b>2PCS</b>	<b>2PCS</b>	<b>8PCS</b>


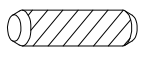


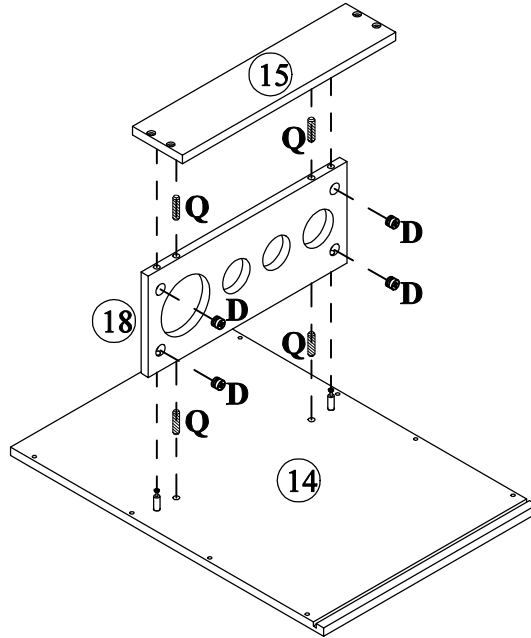
# STEP: 9

<b>E</b>	<b>F</b>	<b>G</b>
		
<b>5PCS</b>	<b>3PCS</b>	<b>2PCS</b>
		<b>L</b>
		
		<b>16PCS</b>




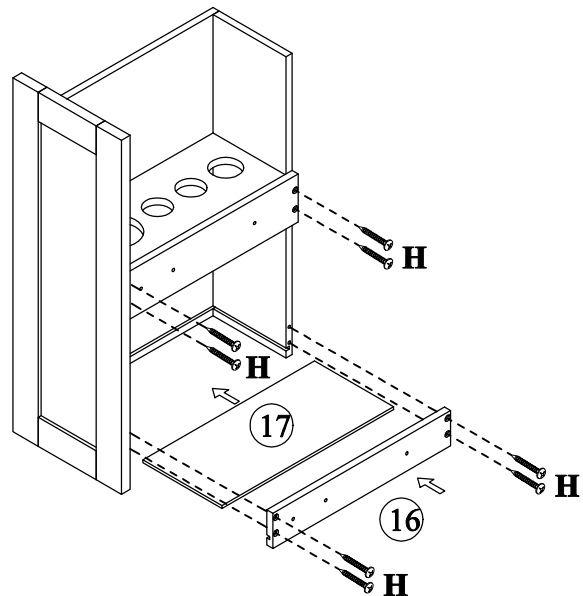
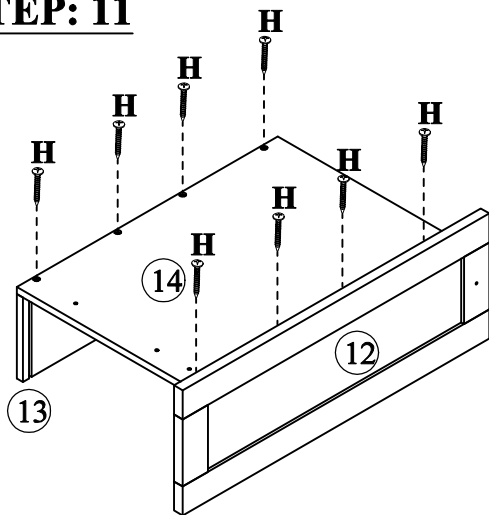
**STEP: 10**

<b>D</b>		<b>Q</b>	
<b>4PCS</b>		<b>4PCS</b>	


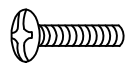
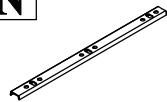



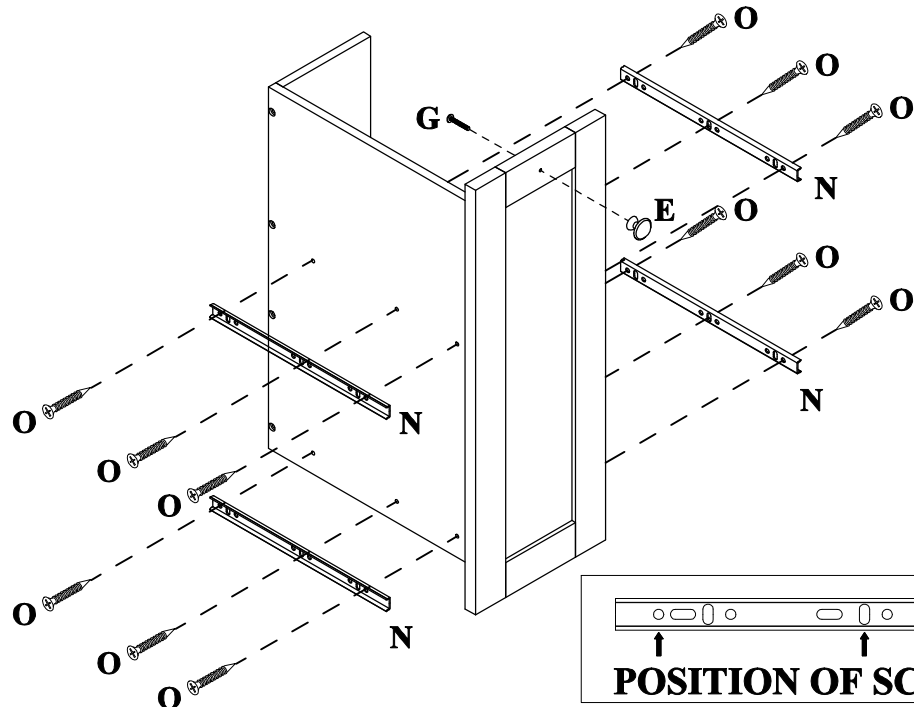
**STEP: 11**

<b>H</b>	
<b>16PCS</b>	

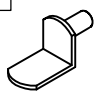


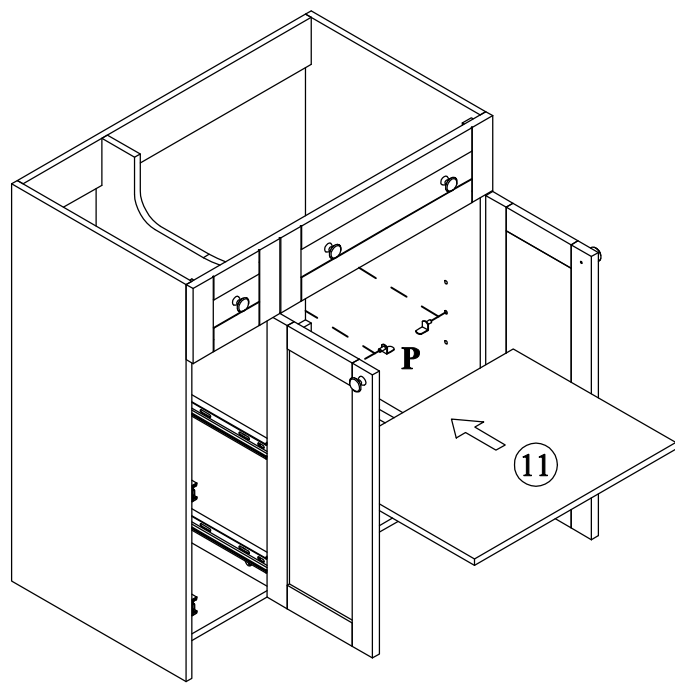
**STEP: 12**

<b>E</b>		<b>G</b>		<b>N</b>		<b>O</b>	
	<b>1PC</b>		<b>1PC</b>		<b>4PCS</b>		<b>12PCS</b>



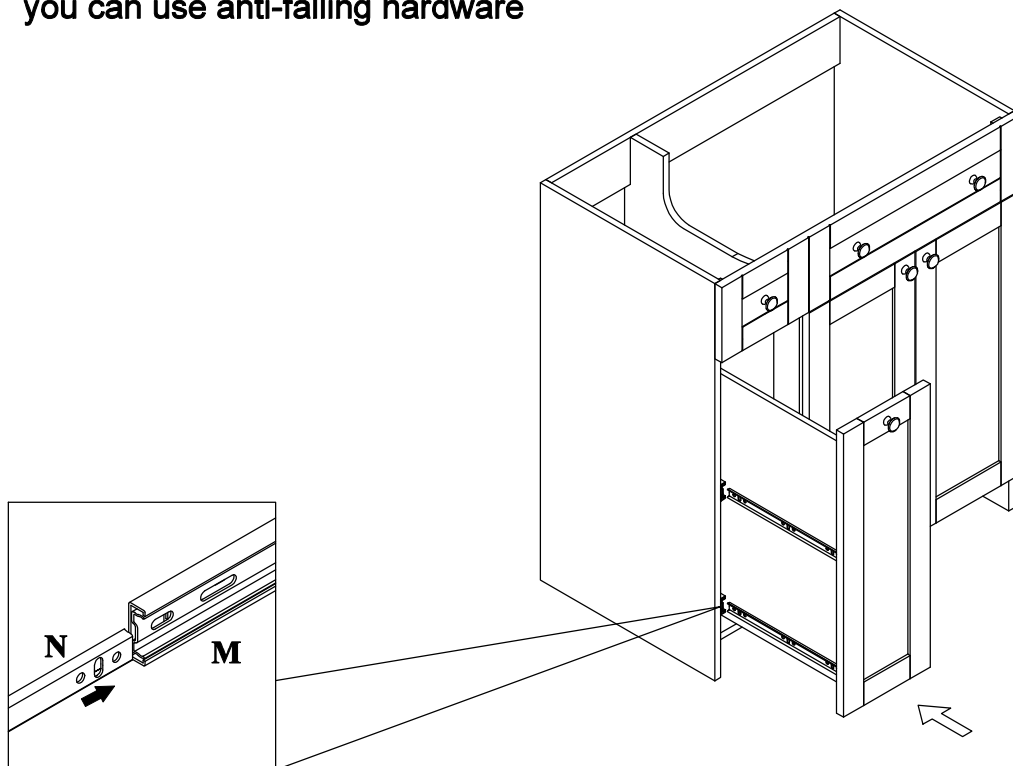
**STEP: 13**

<b>P</b>	
	<b>4PCS</b>



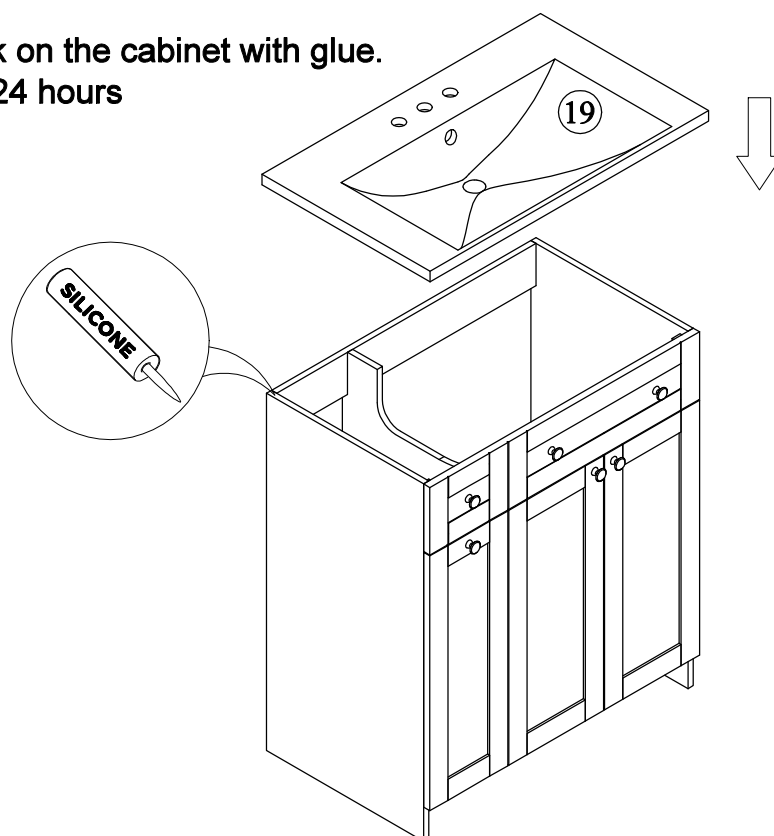
## **STEP: 14**

The structure of the cabinet is quite stable, if you are not sure, you can use anti-falling hardware



## **STEP: 15**

Install the sink on the cabinet with glue.  
Let stand for 24 hours



**STEP: 16**

