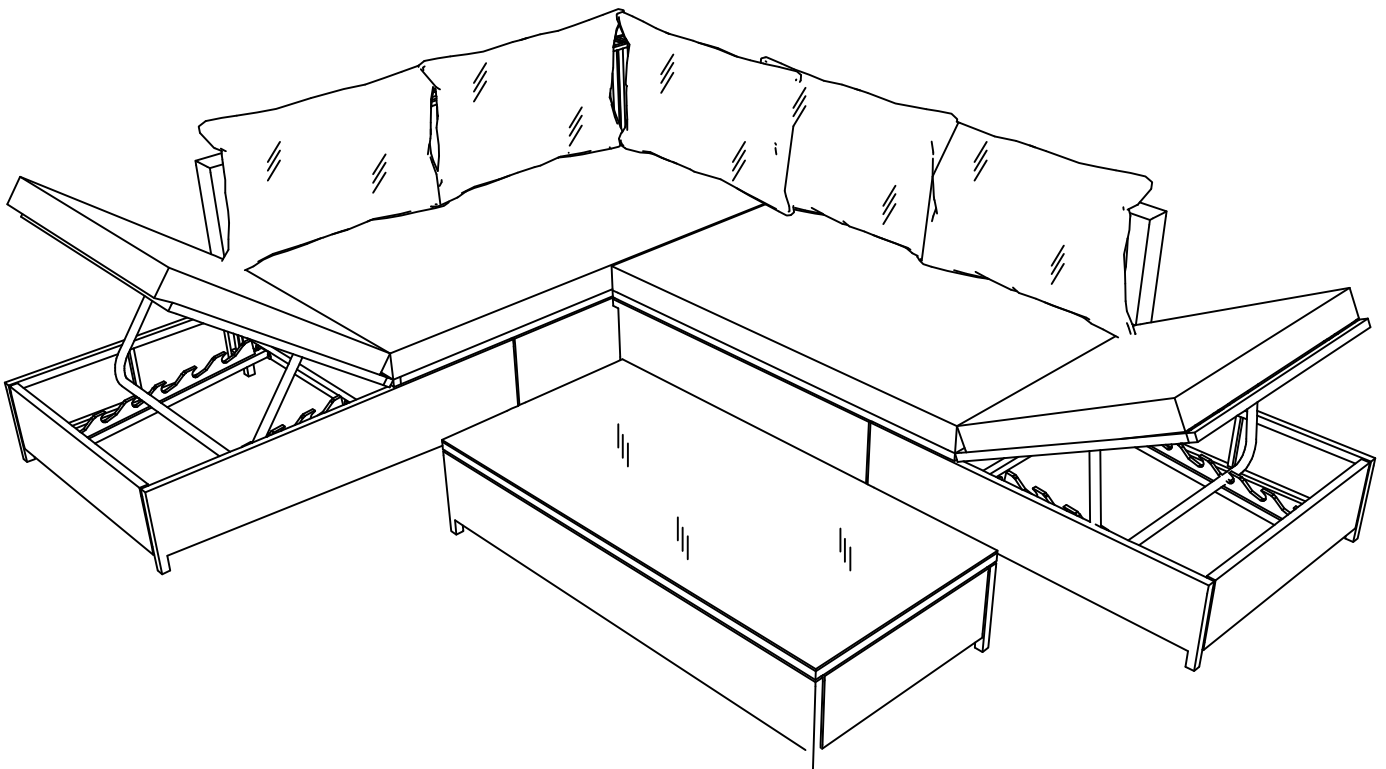


ASSEMBLY INSTRUCTION

3PCS RATTAN SOFA SET



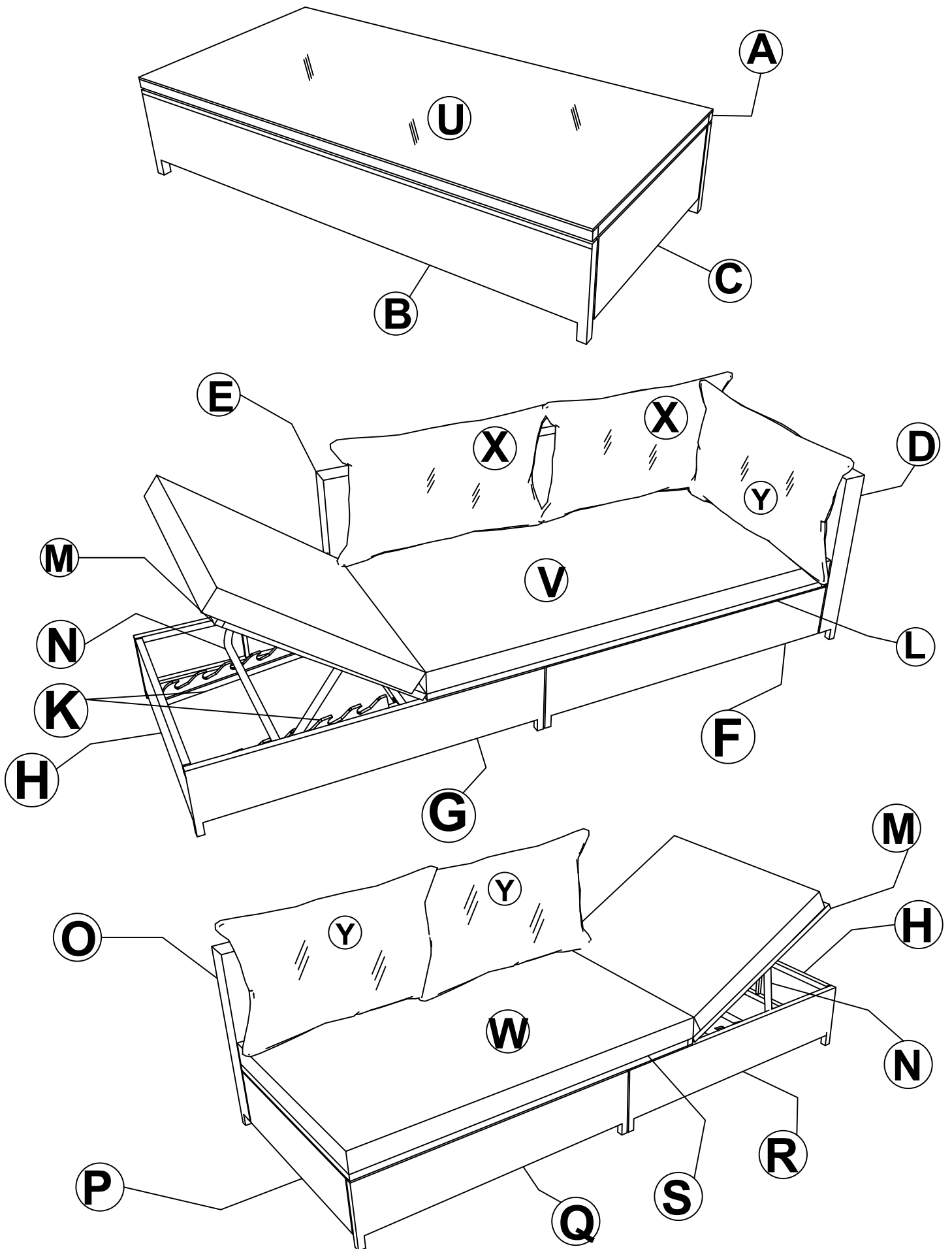
WF299981 WF299982

WF299983

Notice:

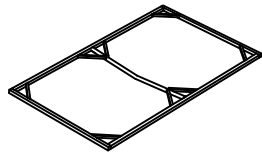
1. 50% Tighten before fixing all screws, Allen wrench is recommended instead of an electric drill.
2. Place the item on a flat ground to adjust and make sure it remains stable.
3. Tighten up all screws with tools gradually.
4. If the screws are not aligned with holes during assembly, please loosen all the other screws to 50% and continue the assembly process.
5. If the item is not stable, please loosen all the screws, adjust it on a flat ground and tighten up all screws again.
6. Note : If one or some screws are fully tightened during assembly, chances are the others will not be aligned with holes. In addition, all the holes are designed to be relatively larger to provide more space for the adjustment of the screws.

Exploded View

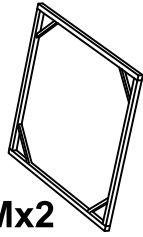


CARTON CONTENT :

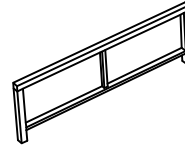
WF299981:



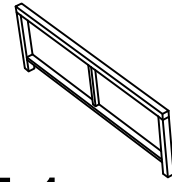
Lx1



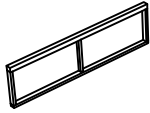
Mx2



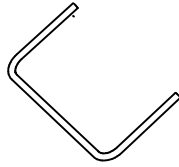
Ix1



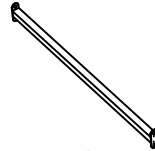
Tx1



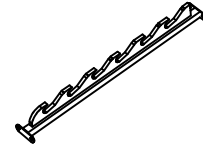
Px1



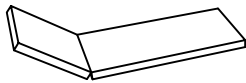
Nx2



Jx2



Kx4

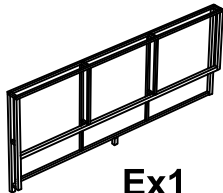


V- Big seat cushion :1

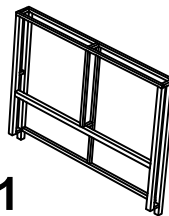


Hardware

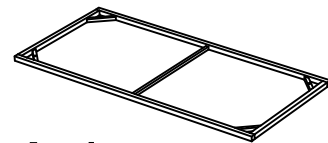
WF299982:



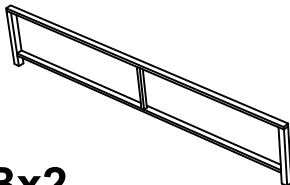
Ex1



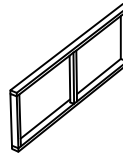
Dx1



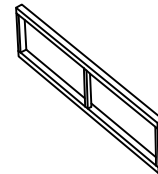
Ax1



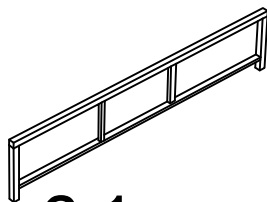
Bx2



Cx2



Hx2

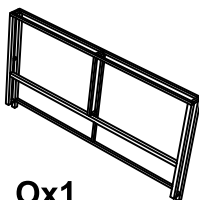


Gx1

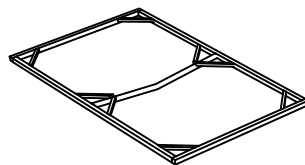


Y- Small backcushion: 2

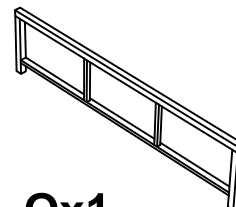
WF299983:



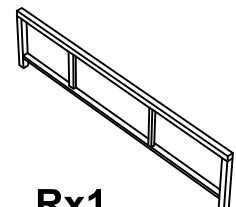
Ox1



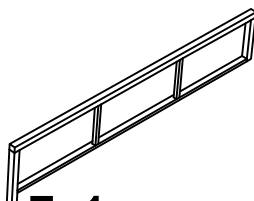
Sx1



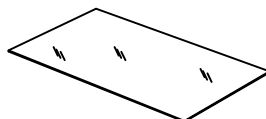
Qx1



Rx1



Fx1



U- Glass :1

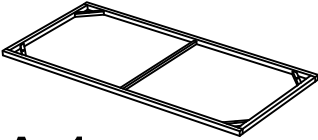
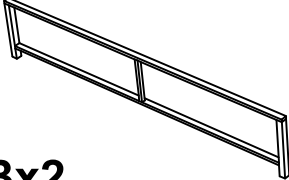
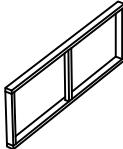
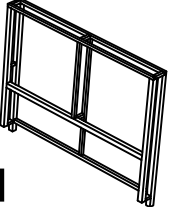
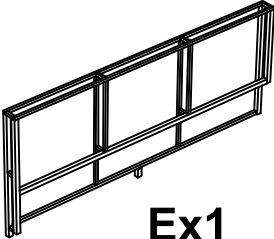
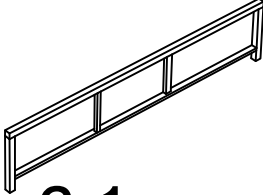
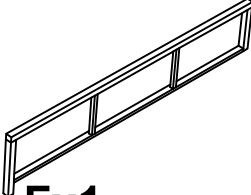
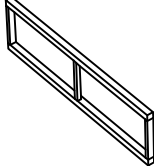
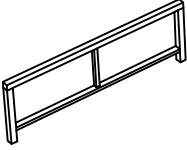
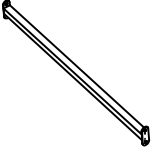
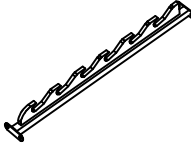
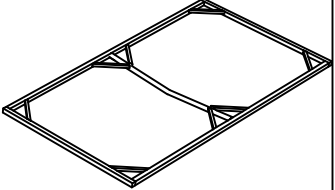
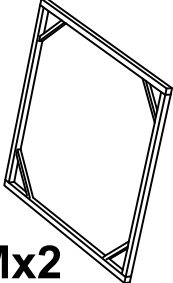
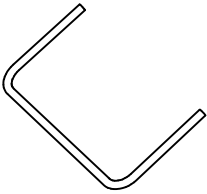
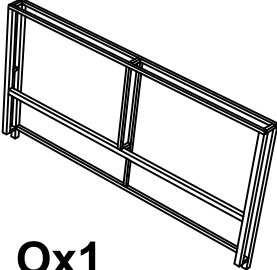
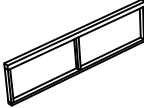
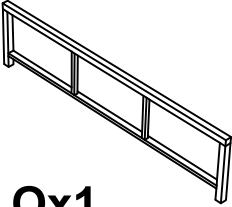
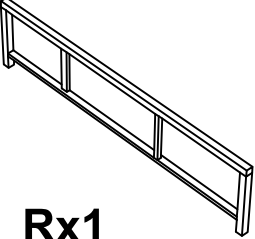
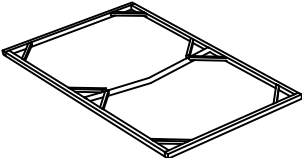
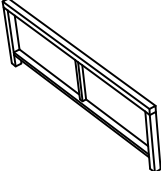
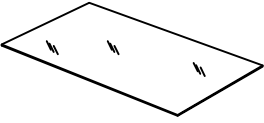
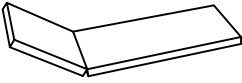
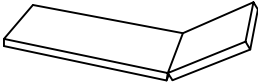

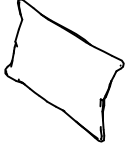


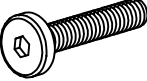

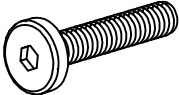
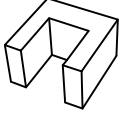

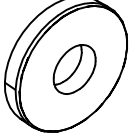
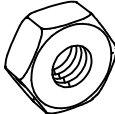
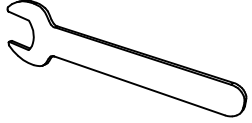


W- Small seat cushion :1

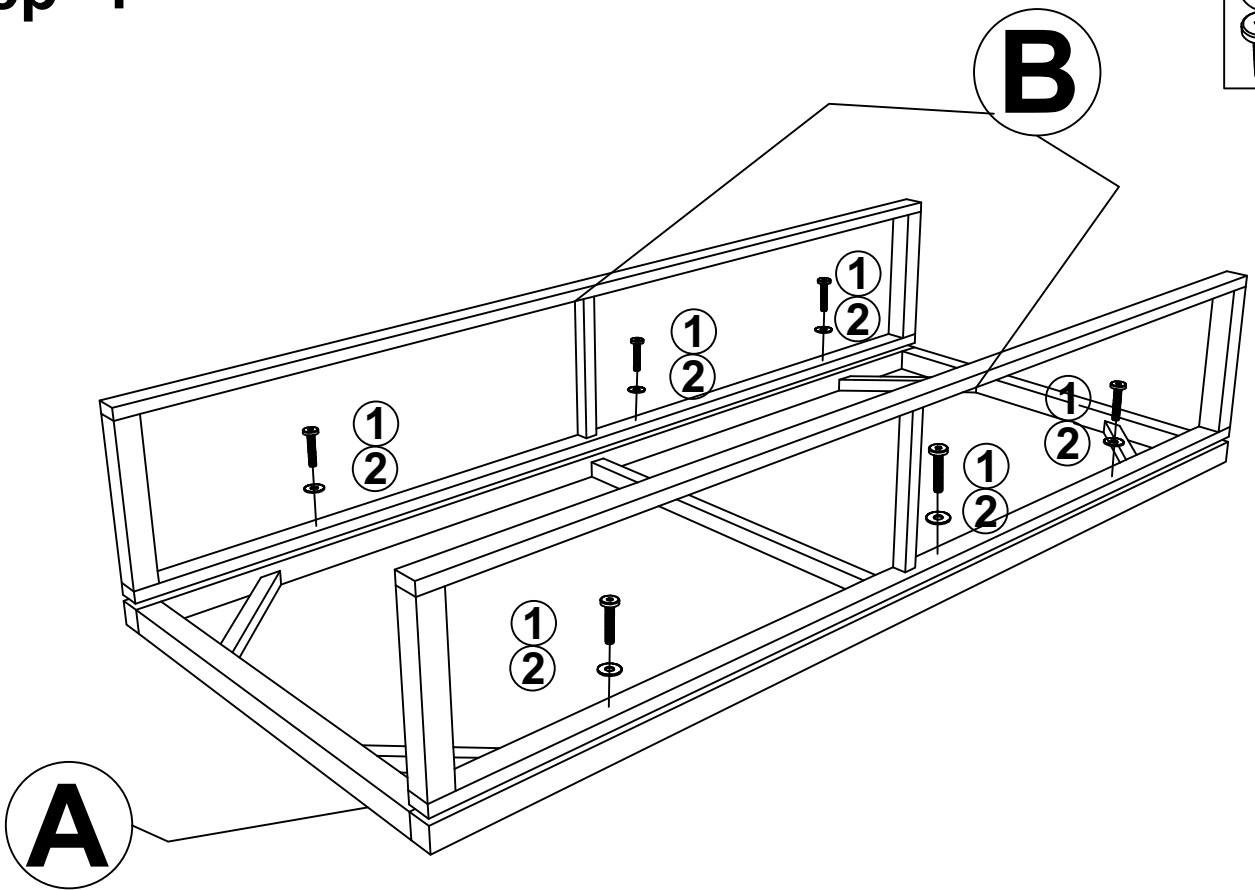
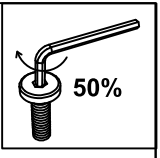


X- Big backcushion: 3

PART LIST AND HARDWARE LIST

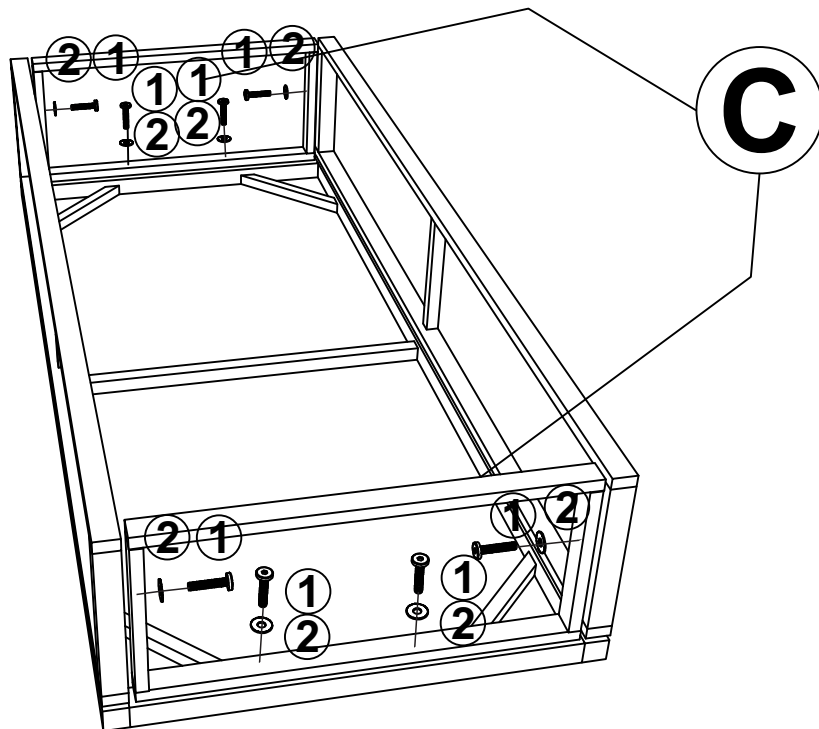
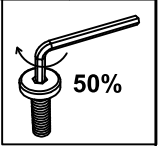
 Ax1	 Bx2	 Cx2	 Dx1	
 Ex1	 Gx1	 Fx1	 Hx2	
 Ix1	 Jx2	 Kx4	 Lx1	
 Mx2	 Nx2	 Ox1	 Px1	
 Qx1	 Rx1	 Sx1	 Tx1	
 U- Glass :1	 V- Big seat cushion :1	 W- Small seat cushion :1	 X- Big backcushion: 3	 Y- Small backcushion: 2
 1- Bolt 6x30: 26	 2-Washer6: 87	 3- Bolt 6x40: 28	 4- Bolt 6x120: 1	 5- Bolt 6x15: 28
 6- Connector: 2	 7- Allen key :2	 8- Plastic washer: 4	 9- Eru: 4	 10- Key: 1

Step 1



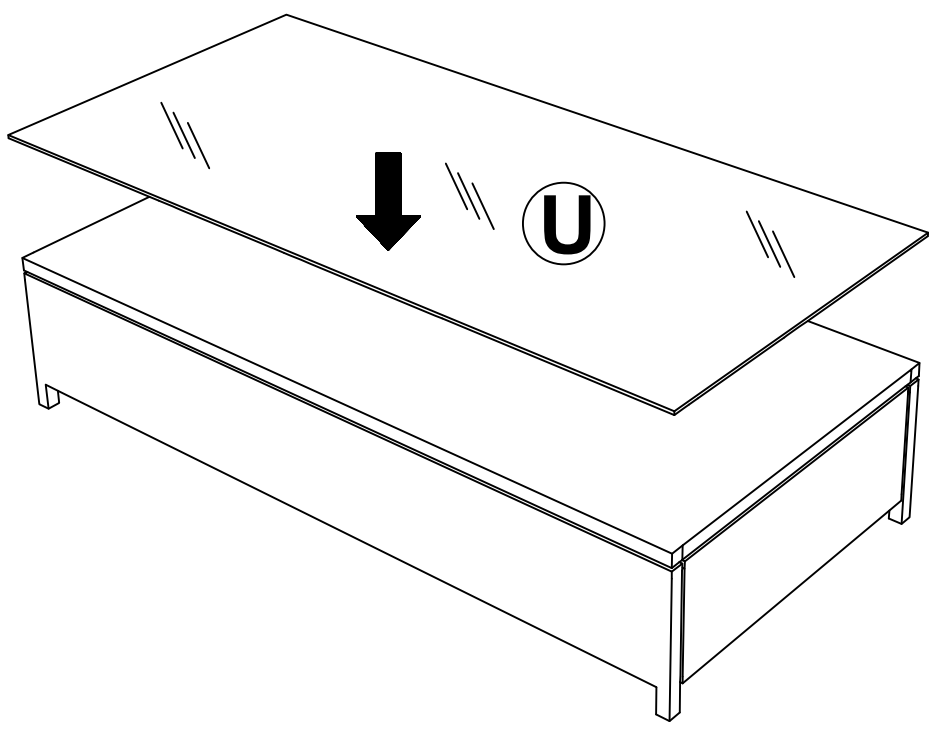
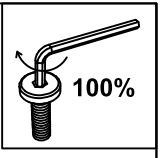
Ax1 Bx2 ①x6 ②x6

Step 2



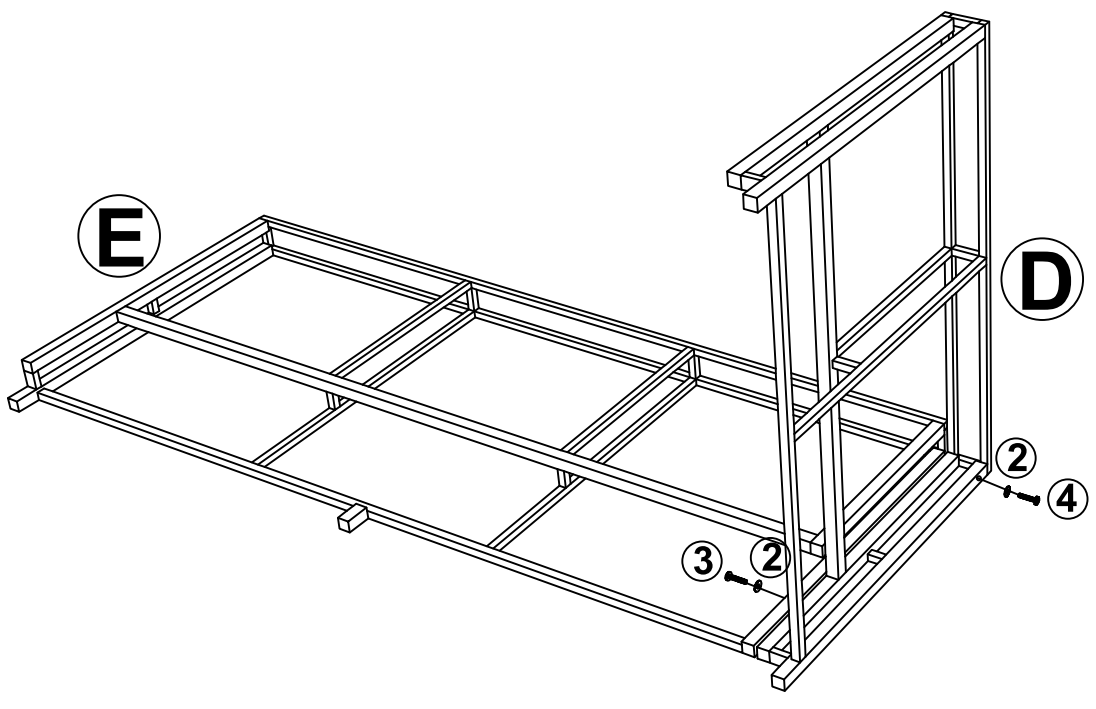
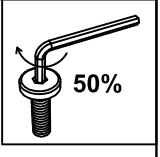
Cx2 ①x8 ②x8

Step 3



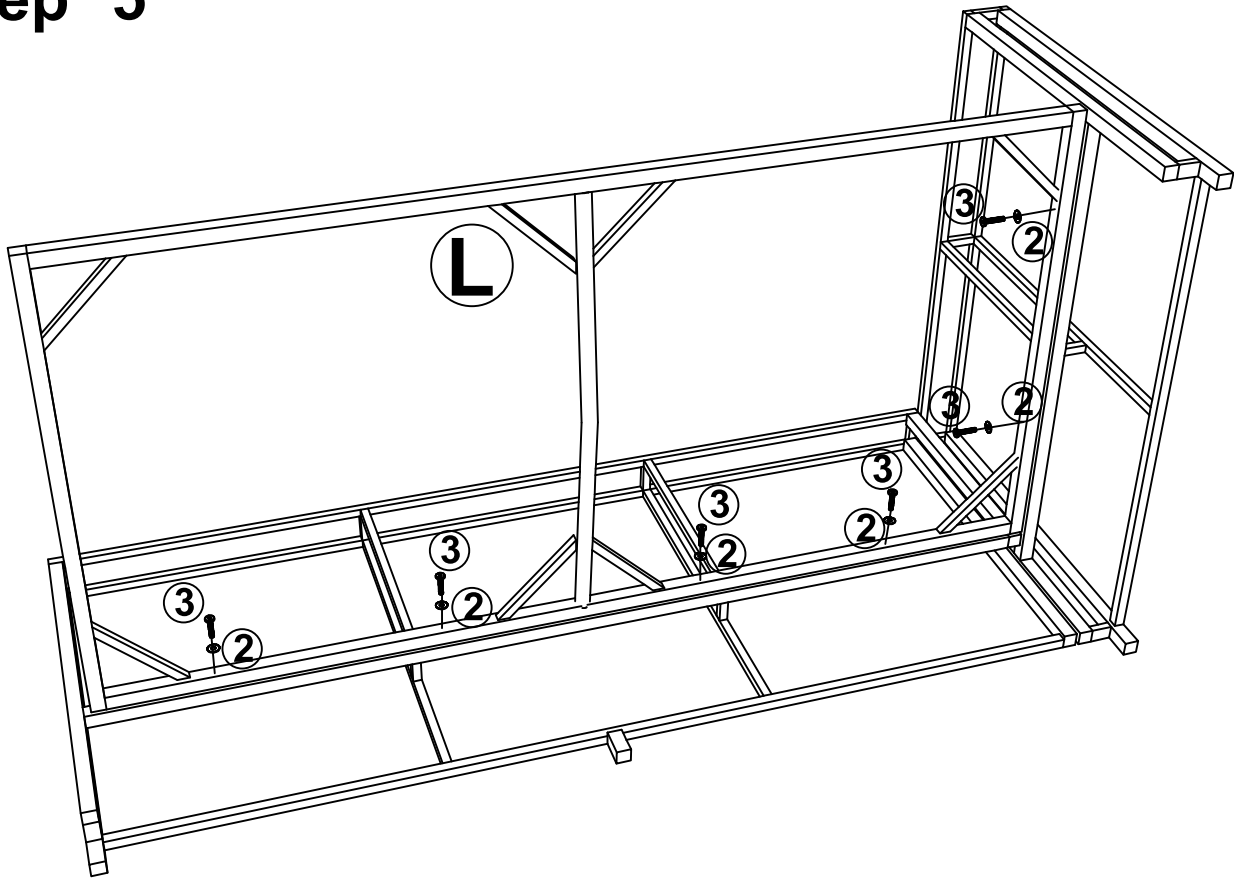
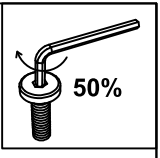
Ux1

Step 4



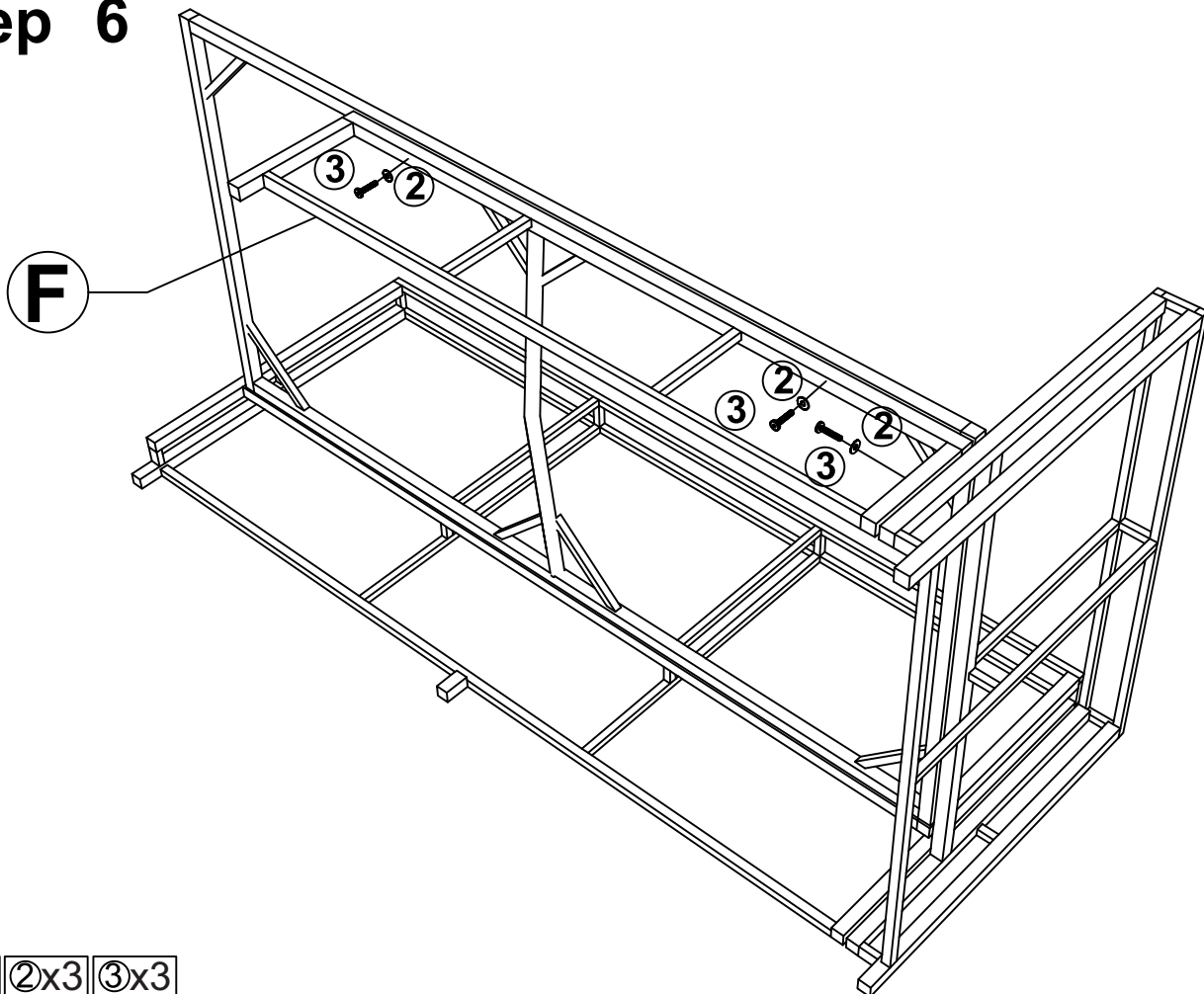
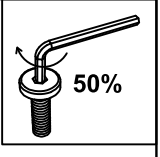
Dx1 Ex1 2x2 3x1 4x1

Step 5



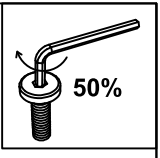
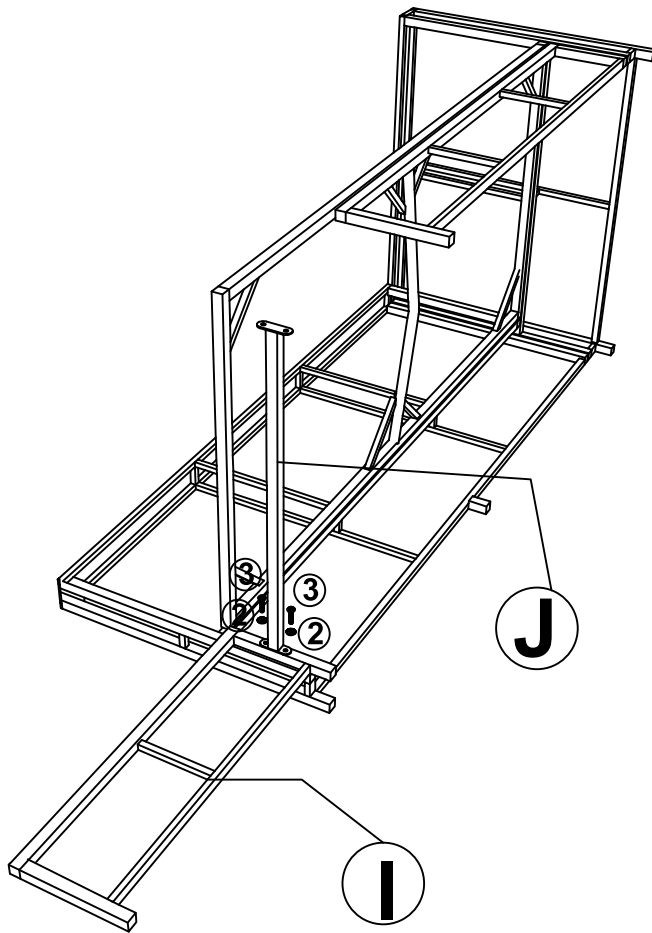
Lx1 2x6 3x6

Step 6



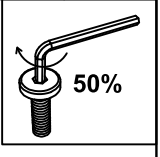
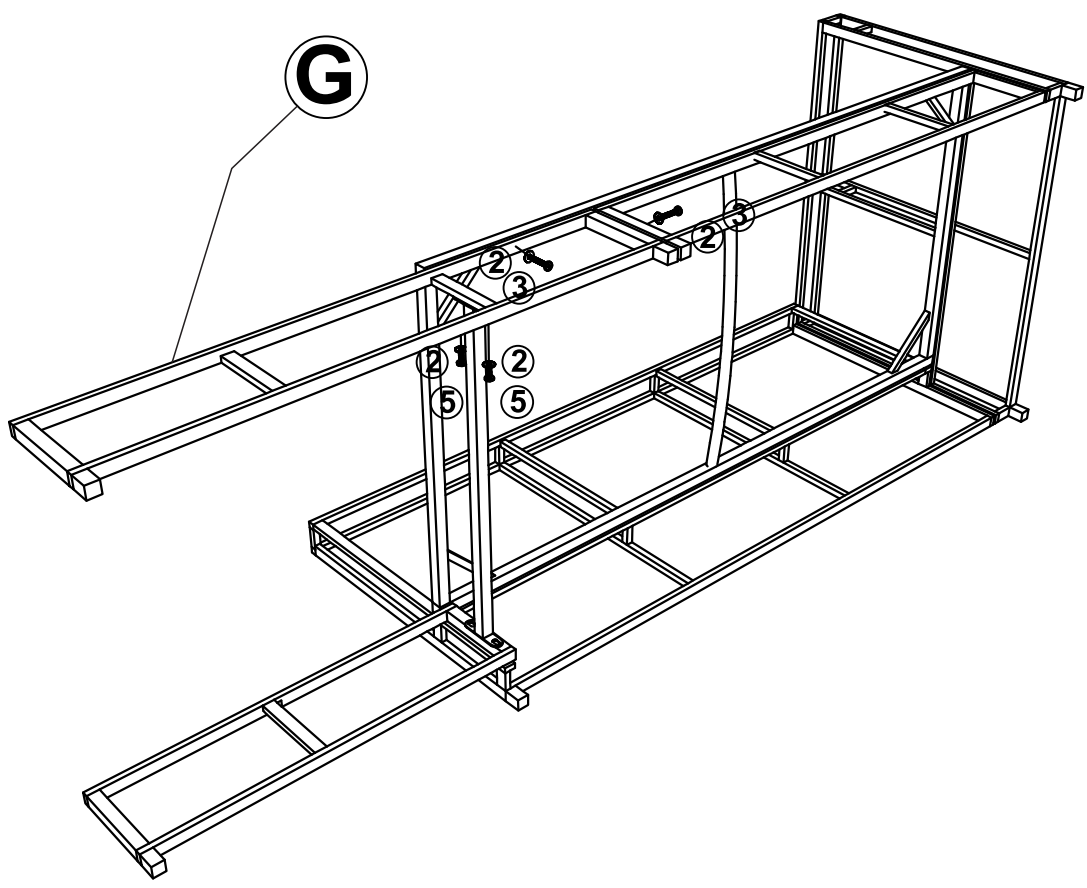
Fx1 2x3 3x3

Step 7



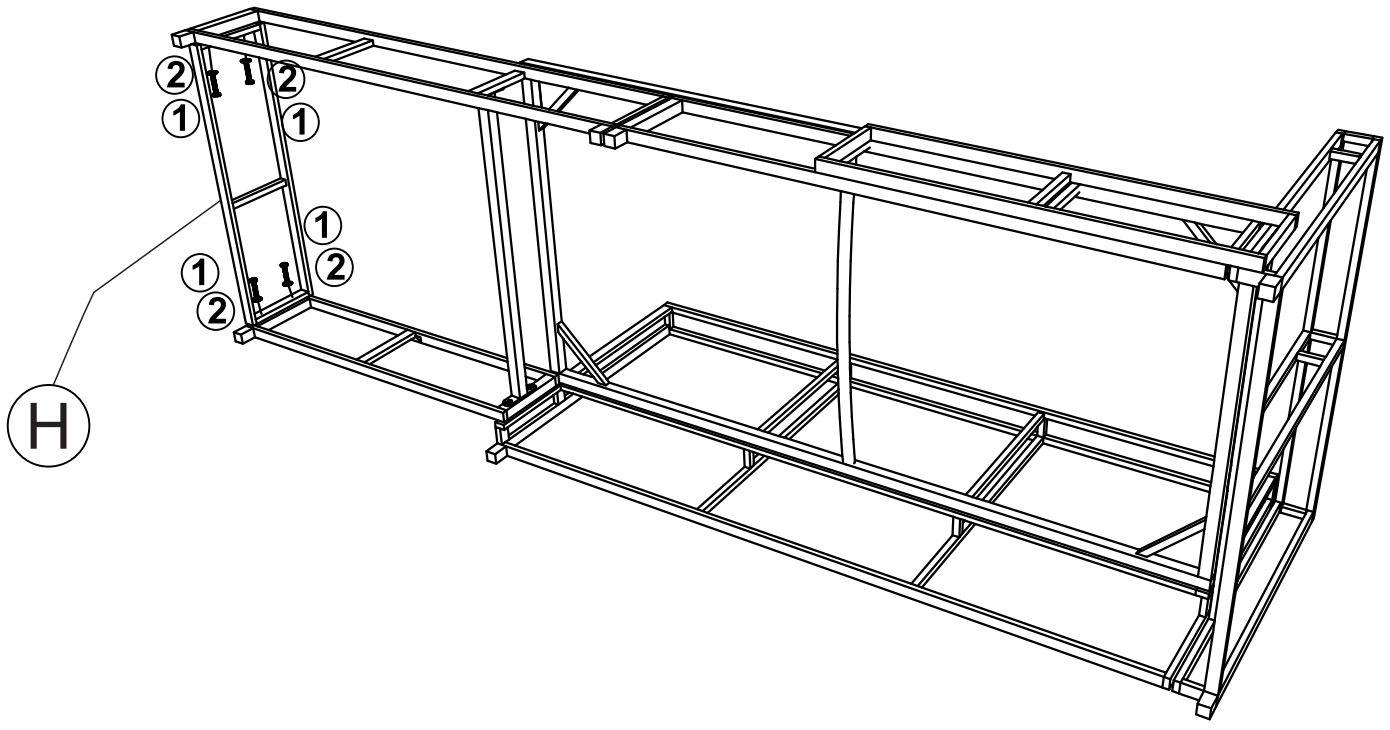
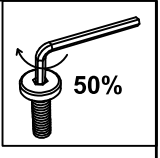
Ix1 Jx1 2x2 3x2

Step 8



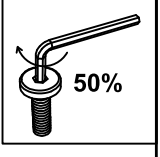
Gx1 2x4 3x2 5x2

Step 9

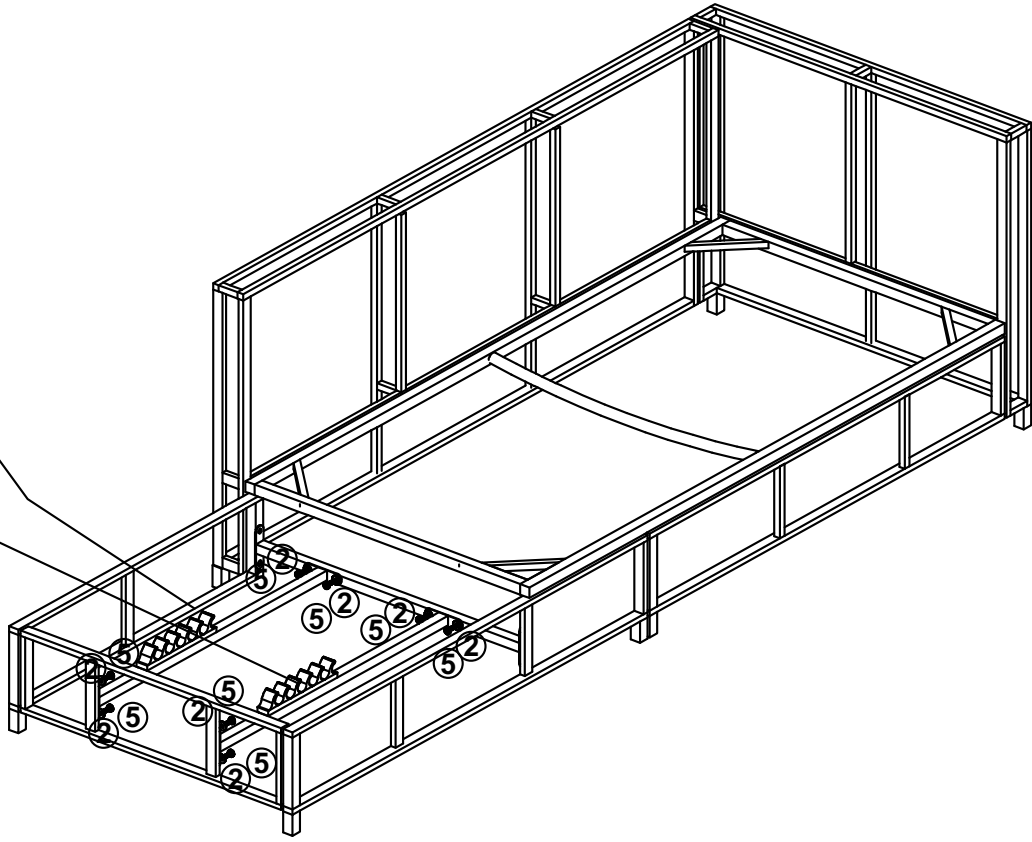


Hx1 2x4 1x4

Step 10

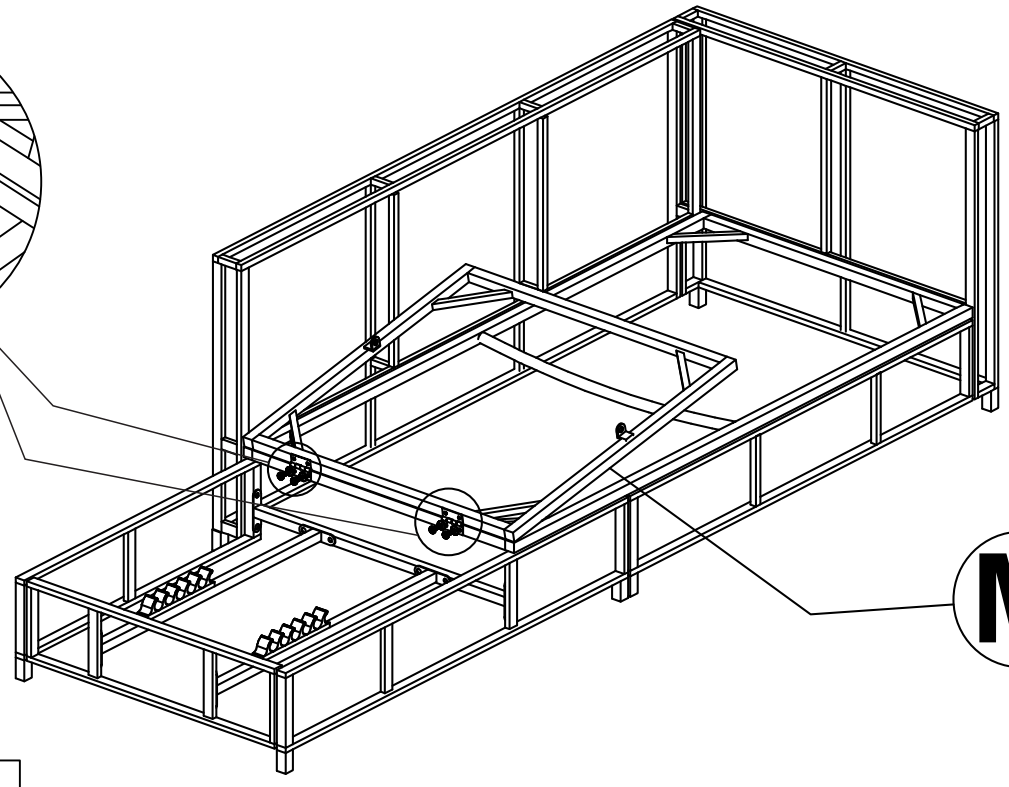
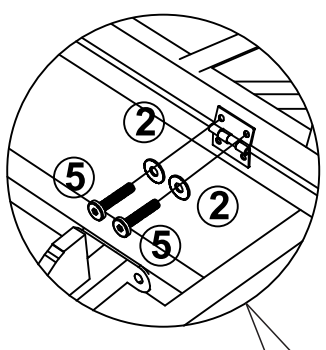
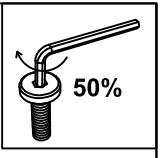


K



Kx2 2x8 5x8

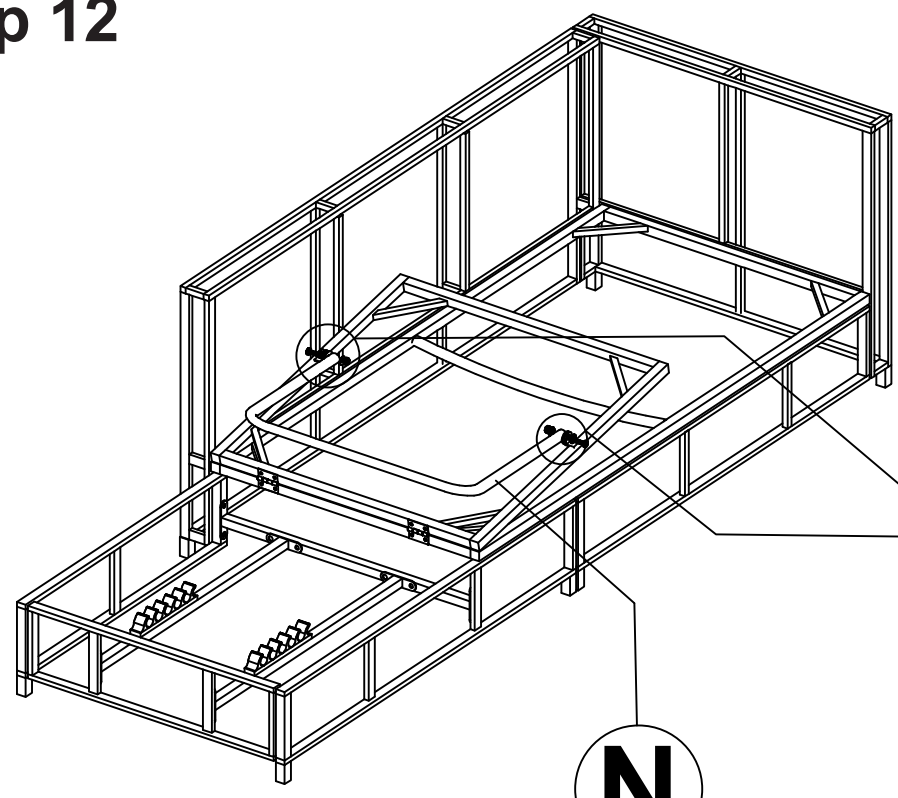
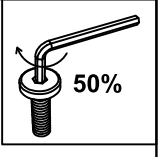
Step 11



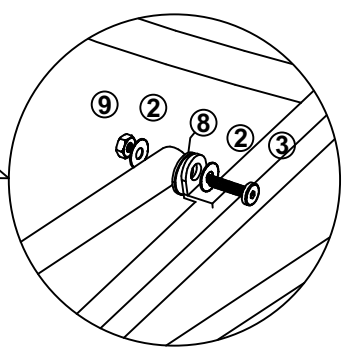
M

Mx1 | ②x4 | ⑤x4

Step 12

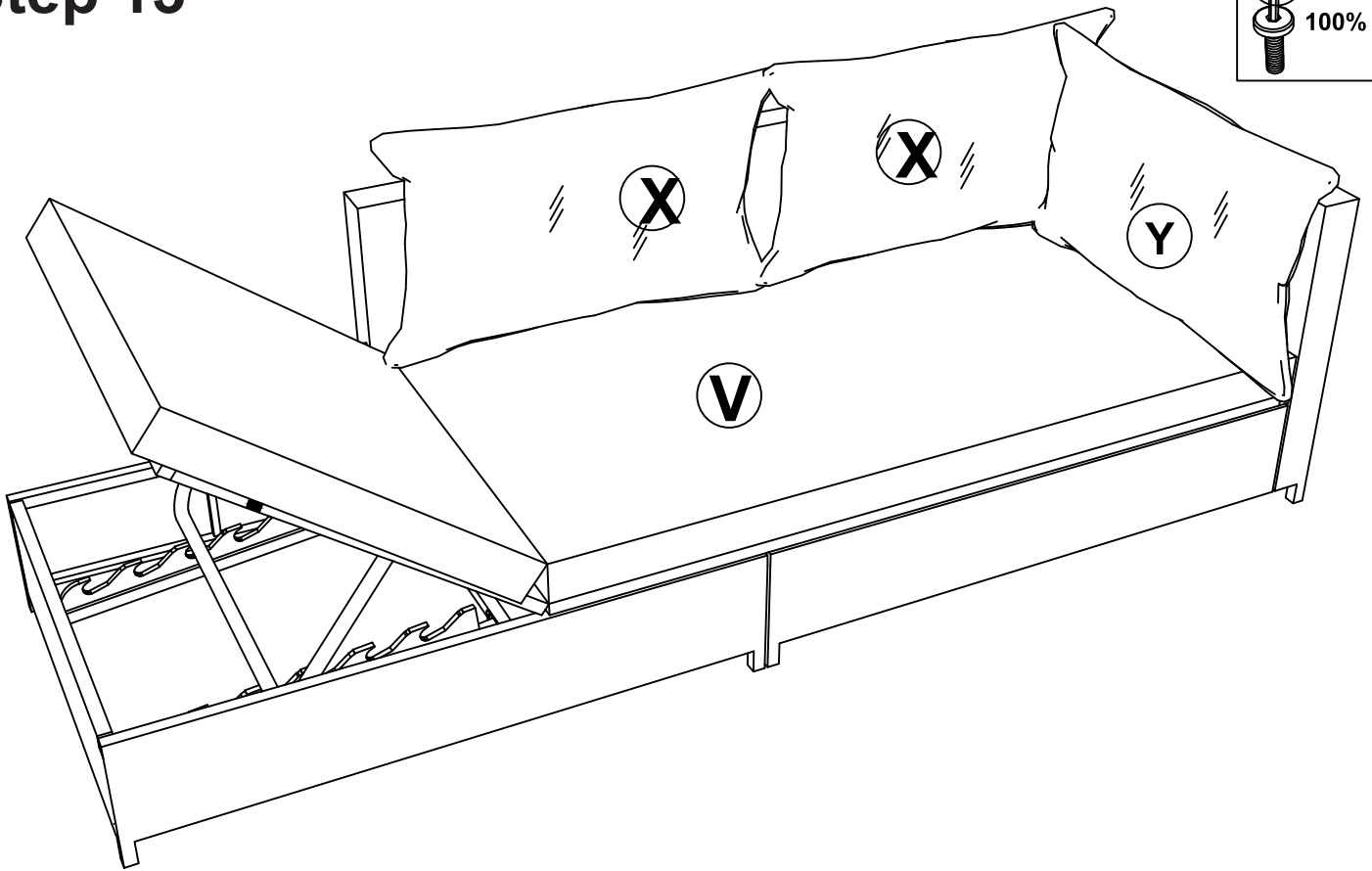
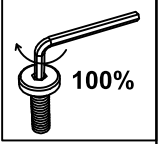


N



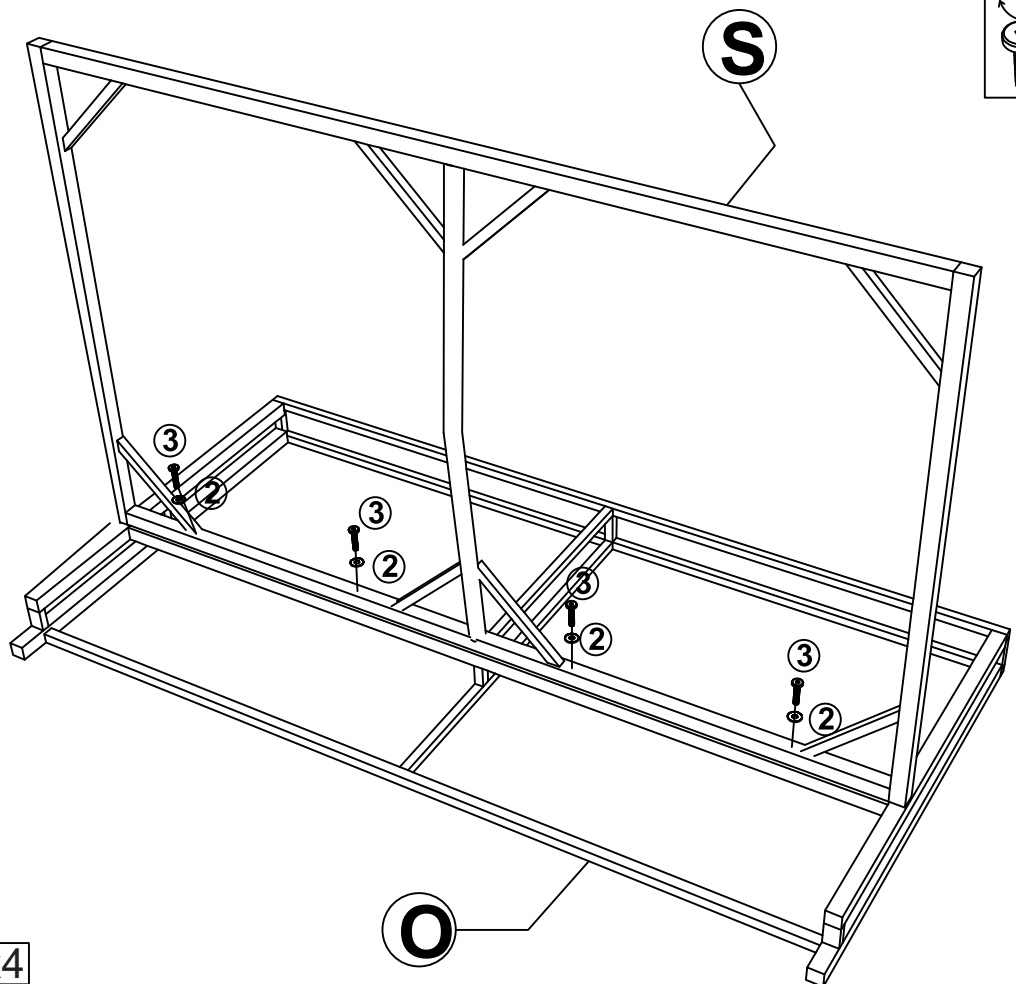
Nx1 | ②x4 | ③x2 | ⑧x2 | ⑨x2

Step 13



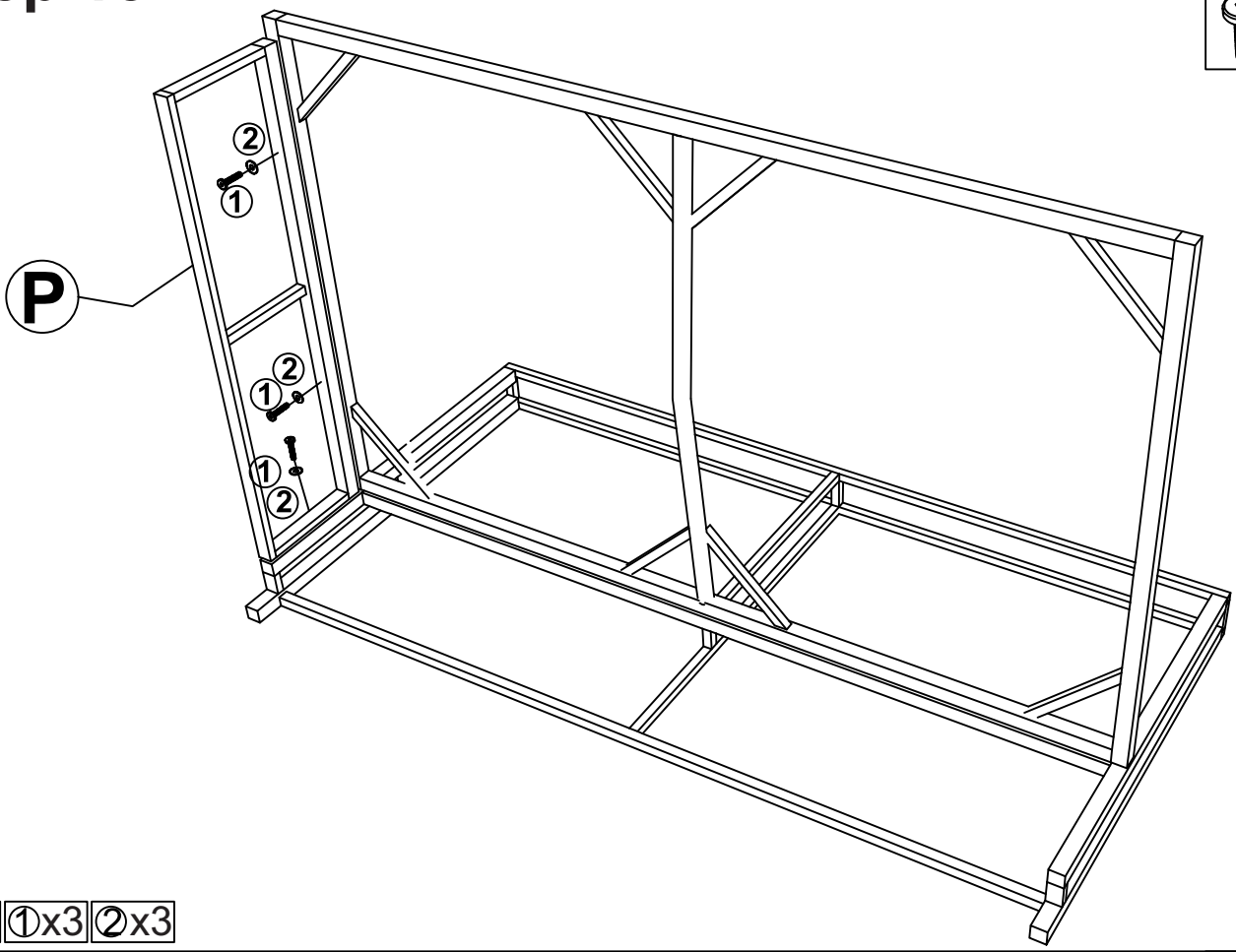
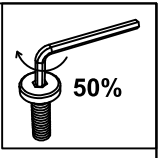
Xx2 Yx1 Vx1

Step 14



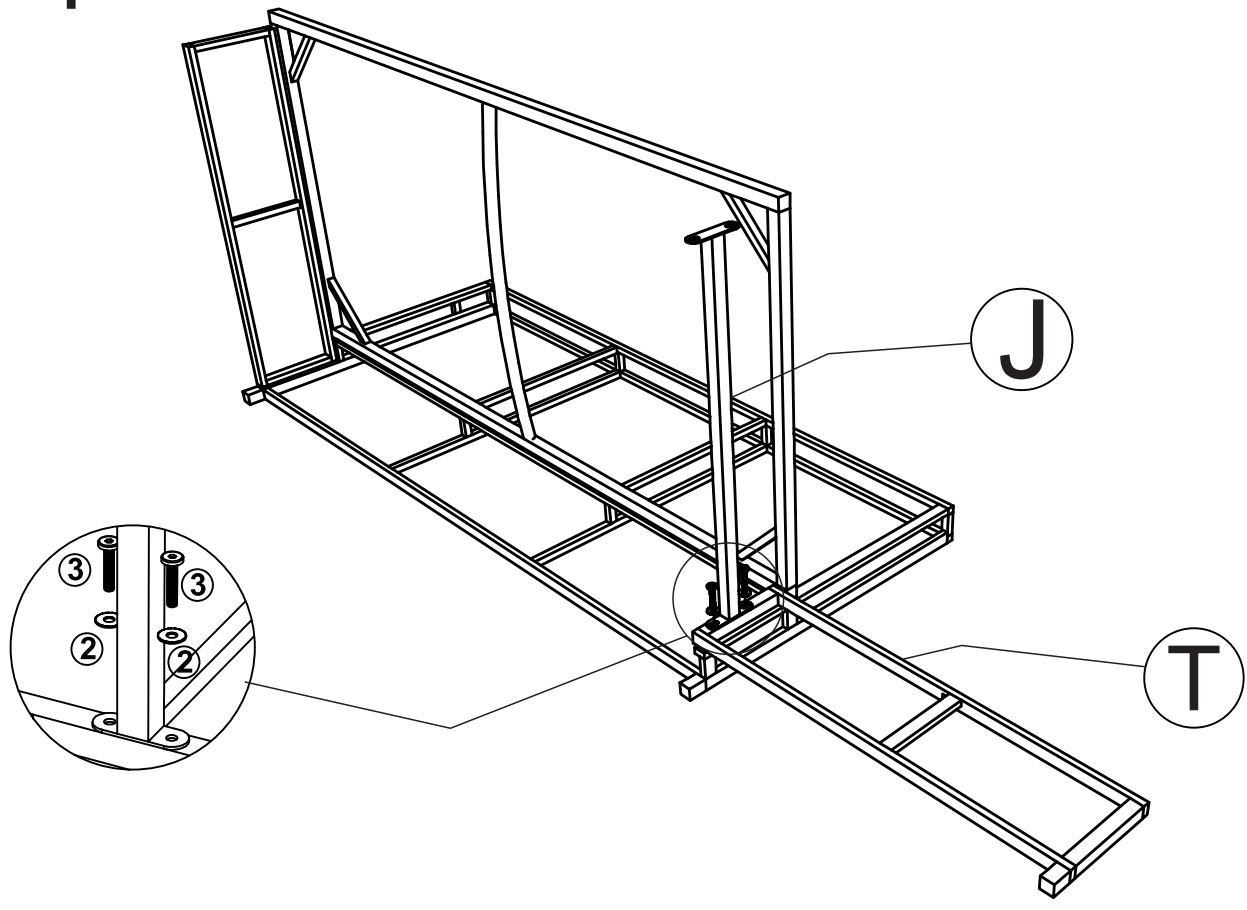
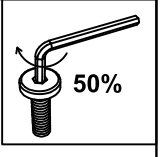
Ox1 Sx1 2x4 3x4

Step 15



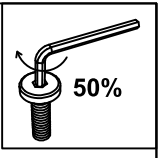
Px1 ①x3 ②x3

Step 16

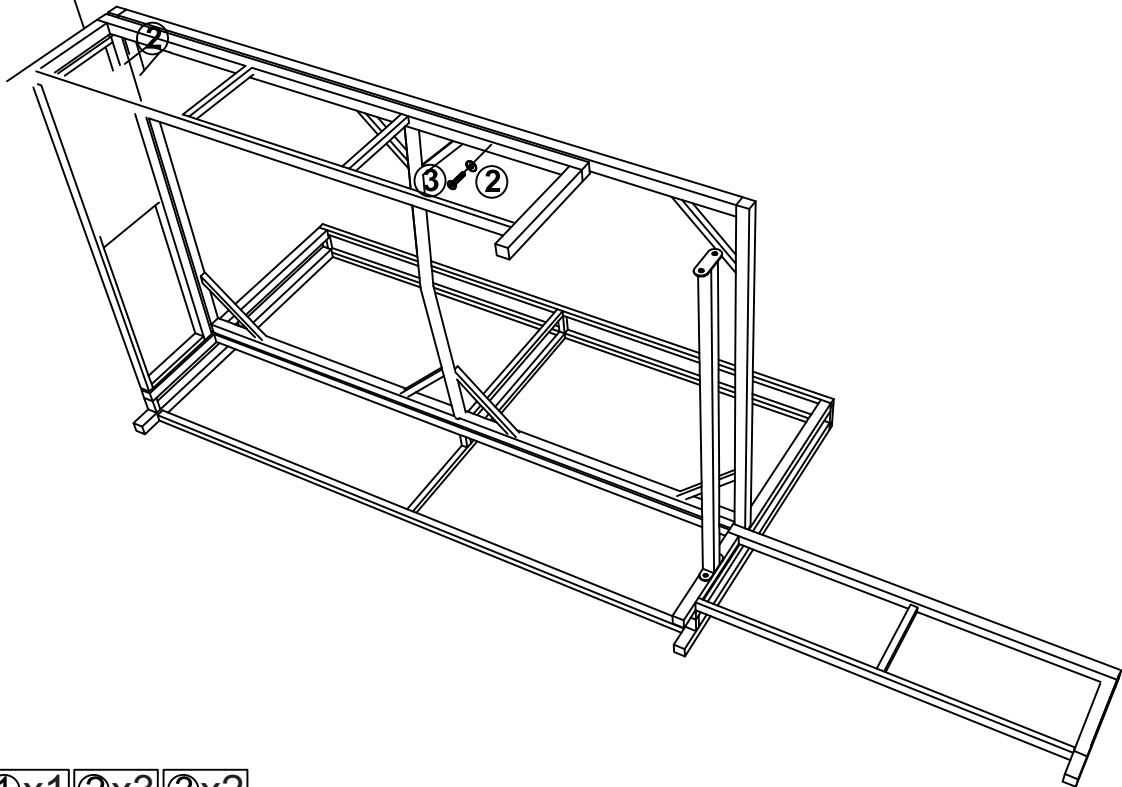


Jx1 Tx1 ②x2 ③x2

Step 17

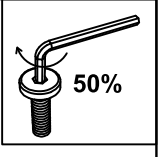


Q

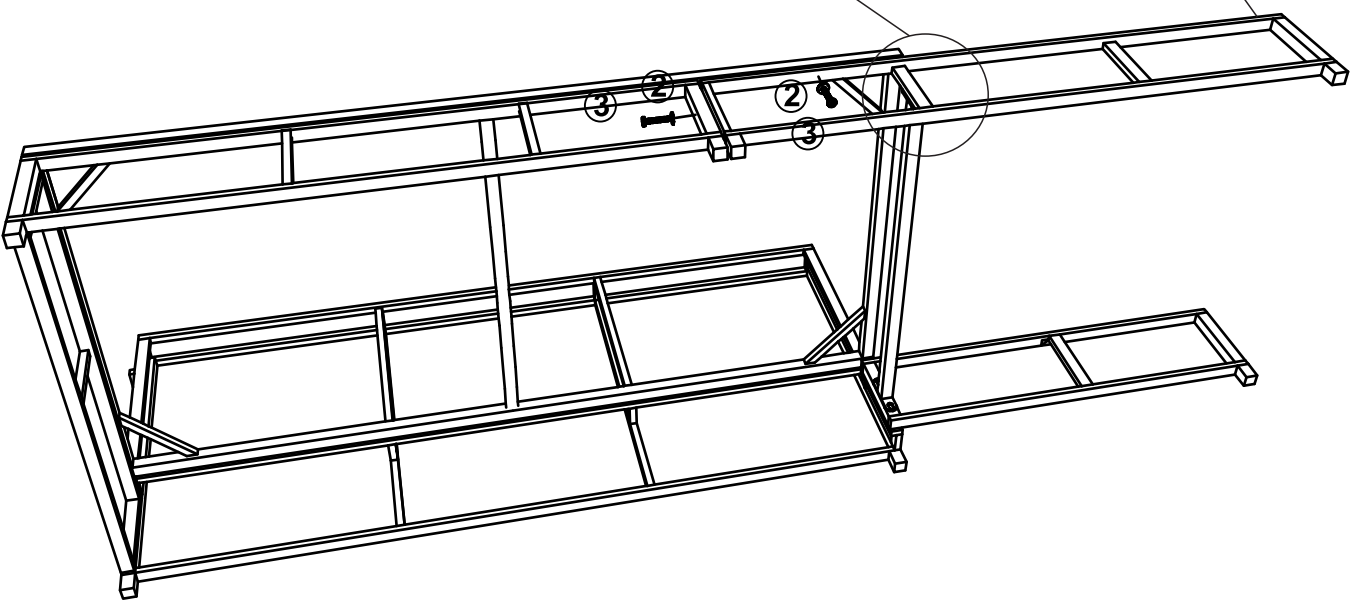
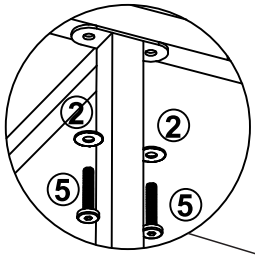


Qx1 ①x1 ②x3 ③x2

Step 18

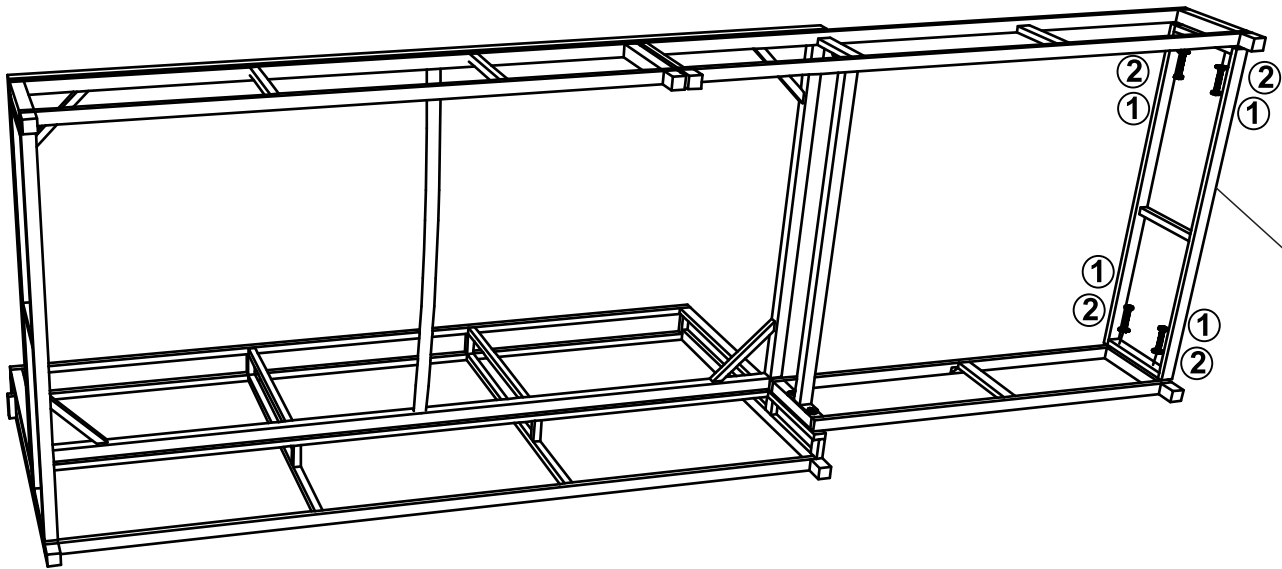
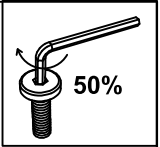


R



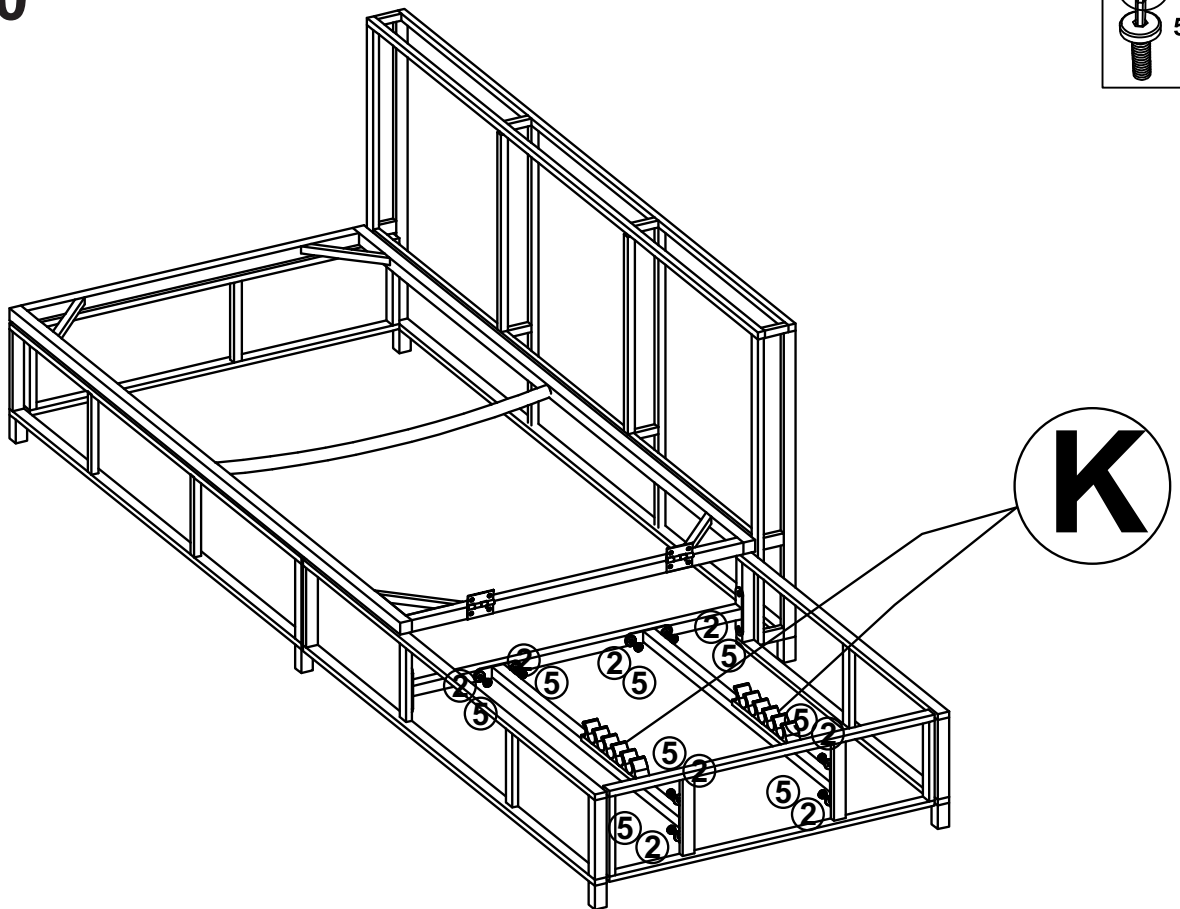
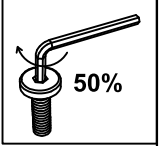
Rx1 ②x4 ③x2 ⑤x2

Step 19



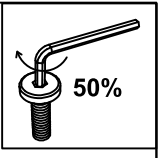
Hx1 ②x4 ①x4

Step 20

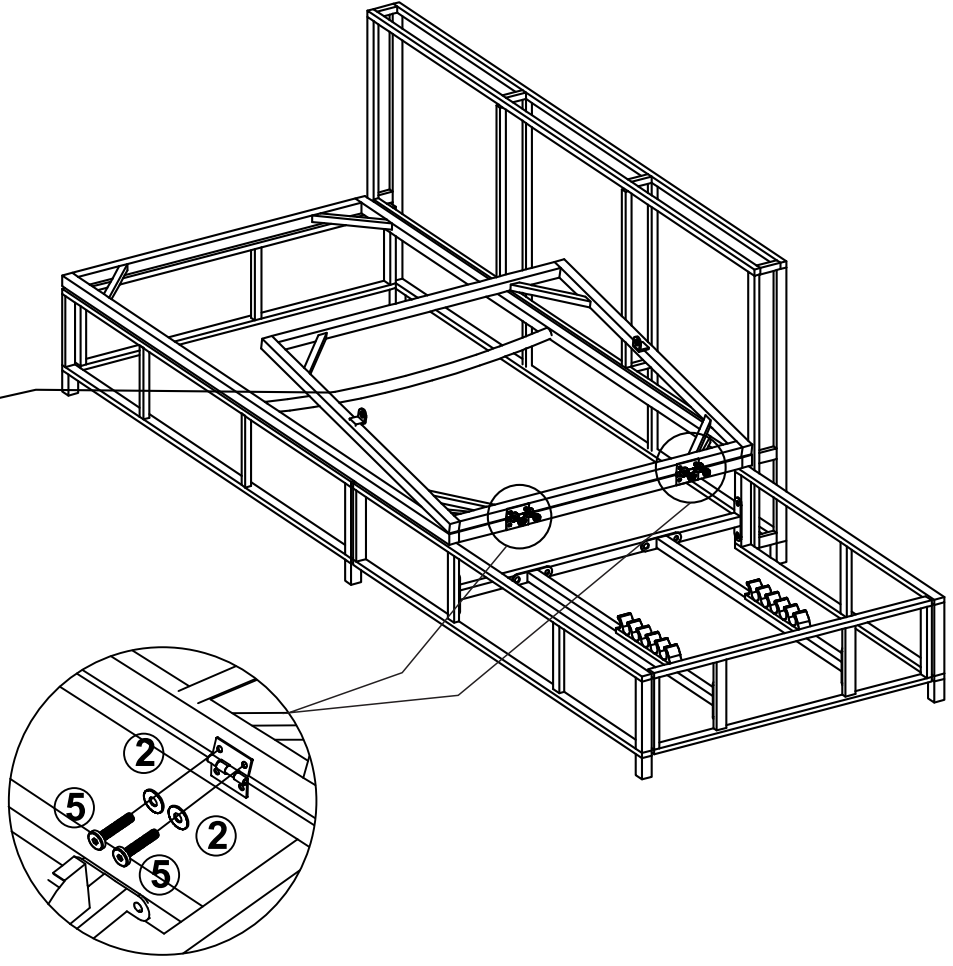


Kx2 ②x8 ⑤x8

Step 21

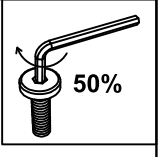


M

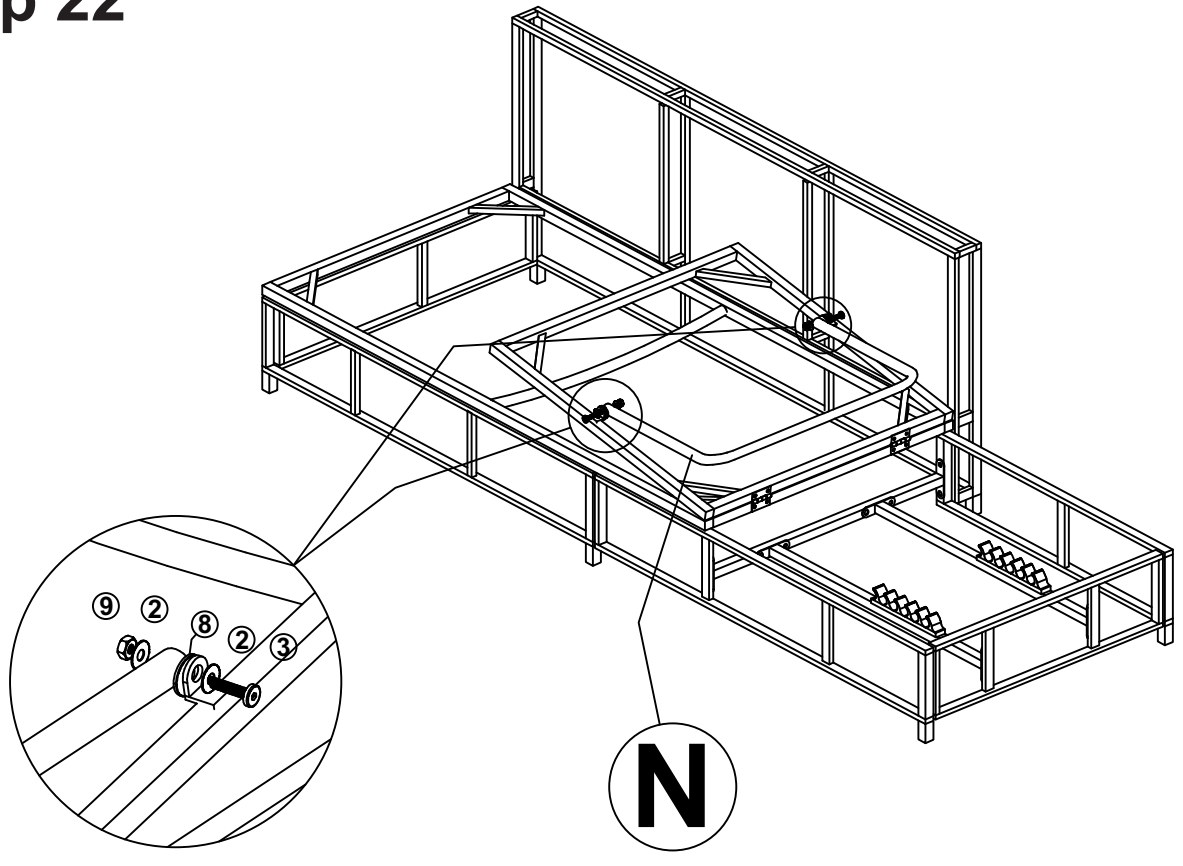


Mx1 2x4 5x4

Step 22

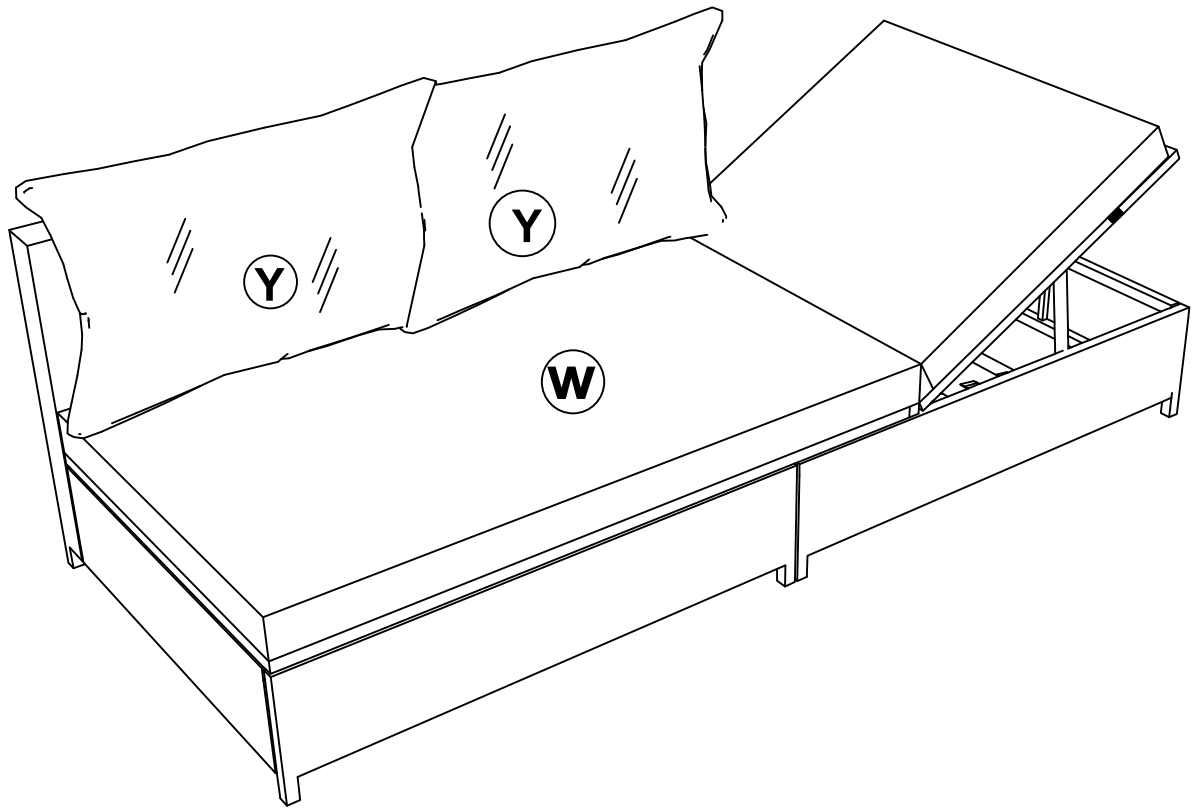
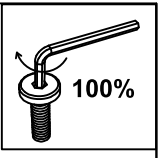


N



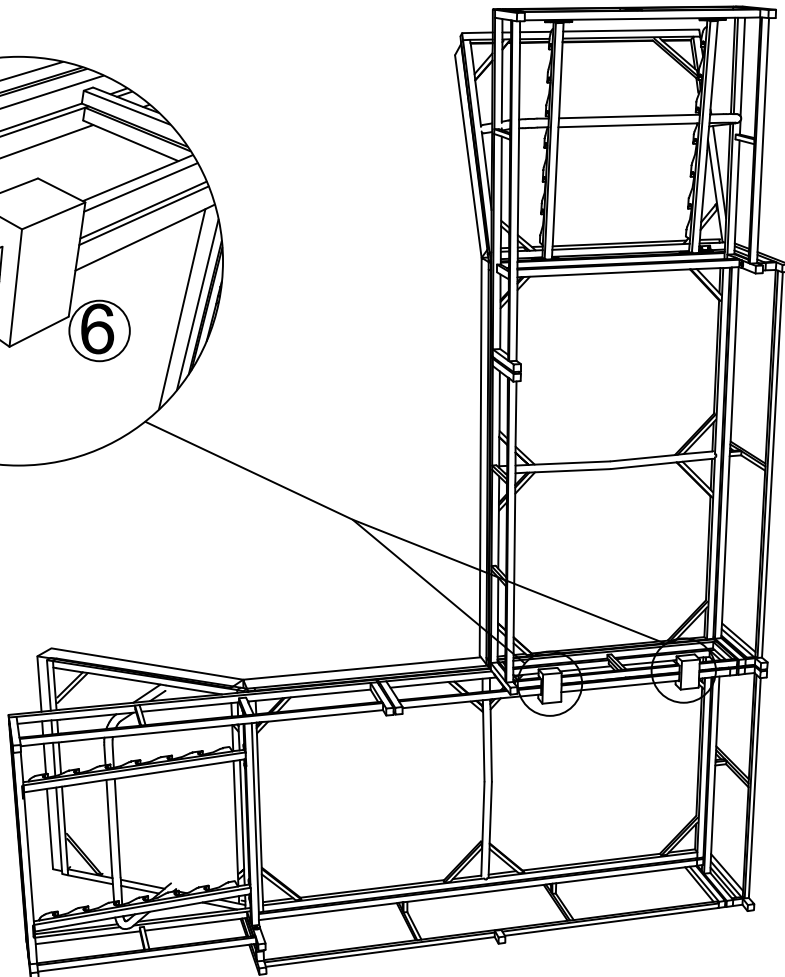
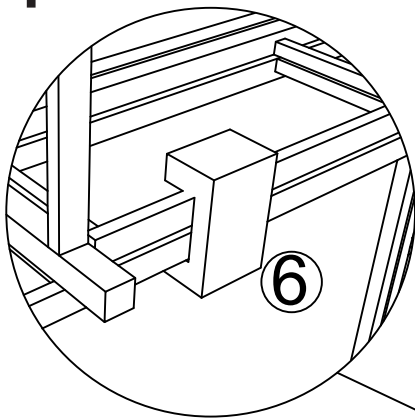
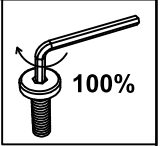
Nx1 2x4 3x2 8x2 9x2

Step 23



Wx1 Yx2

Step 24



6x2

Step 25

