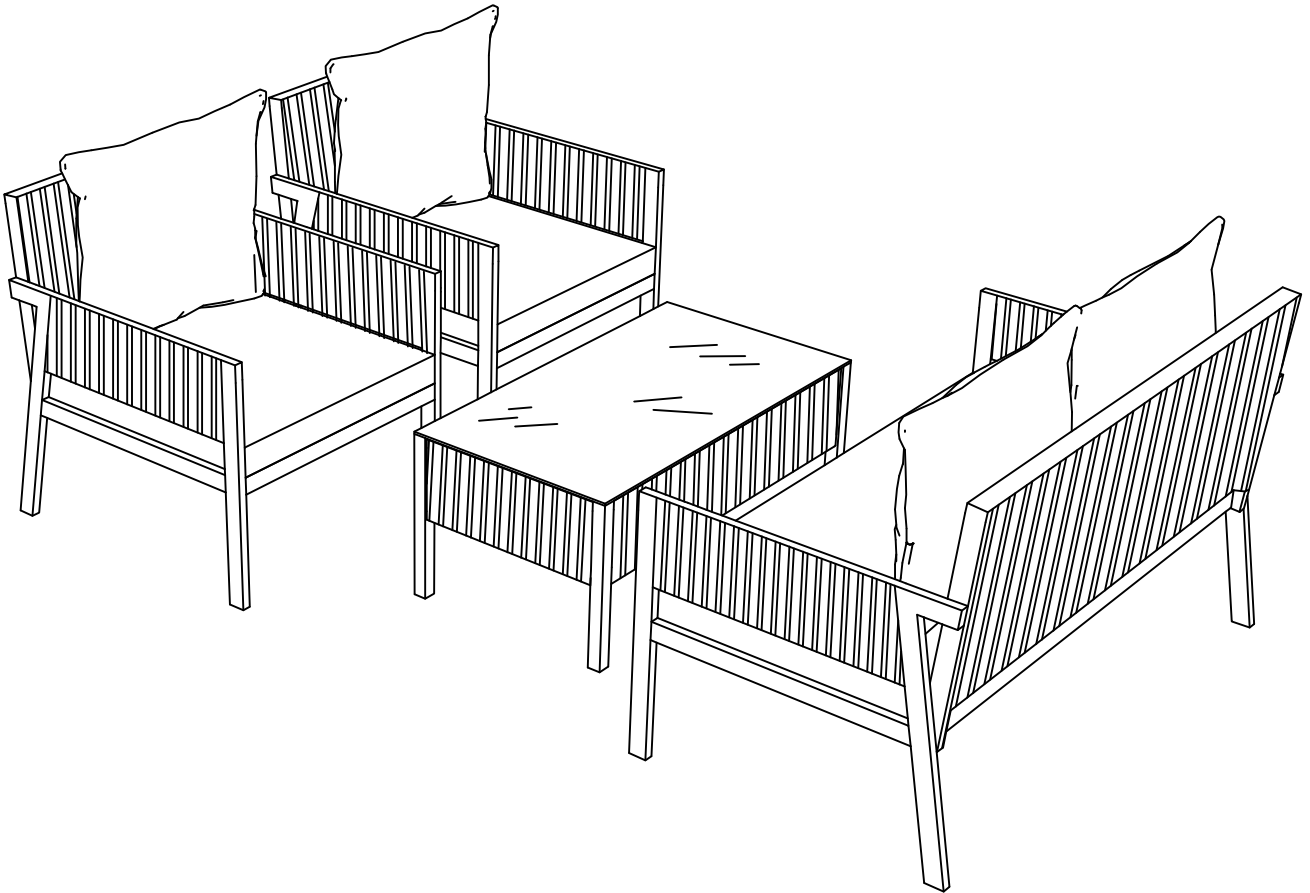


ASSEMBLY INSTRUCTION



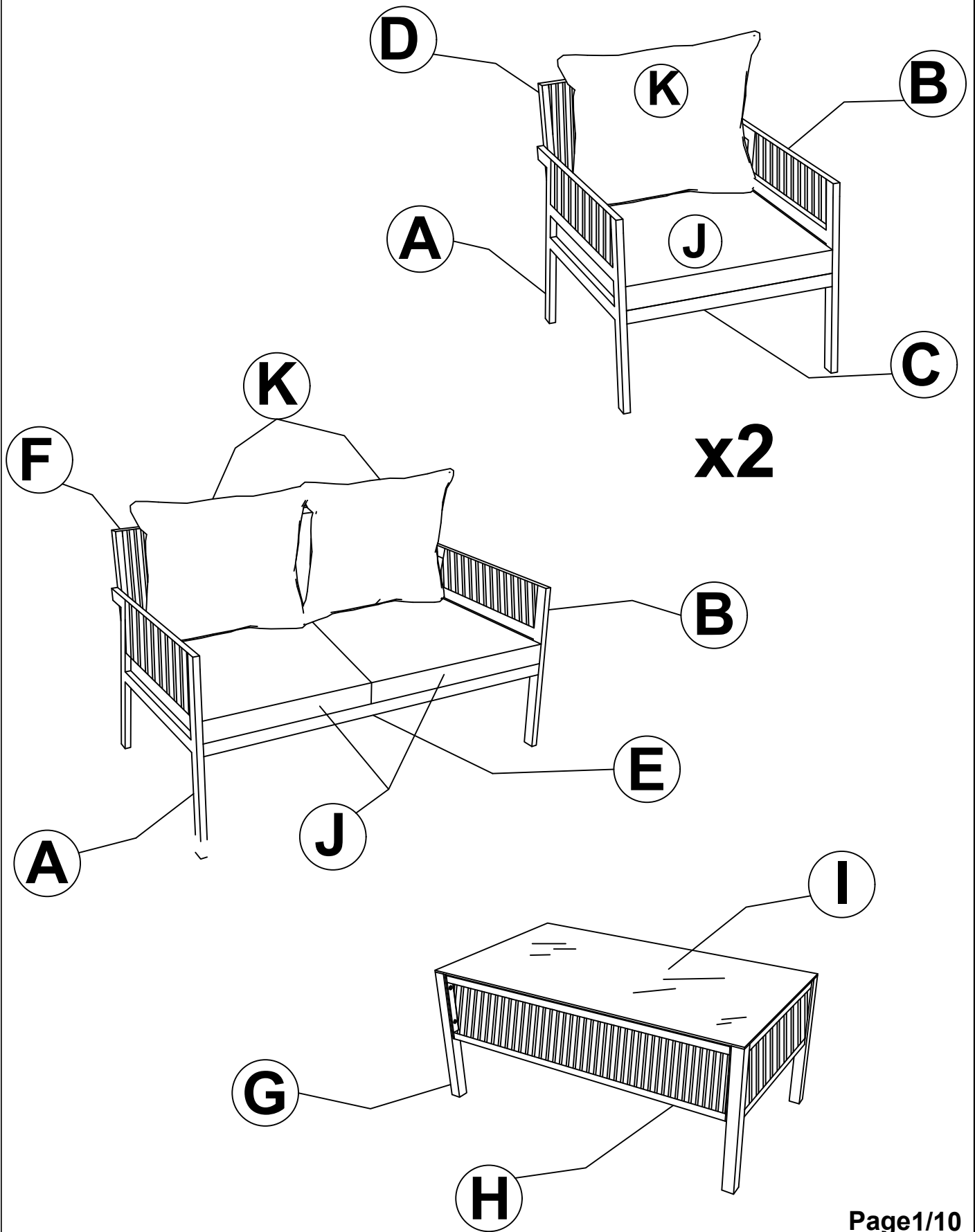
WF317133

WF317134

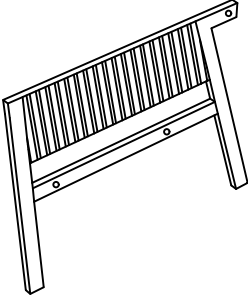
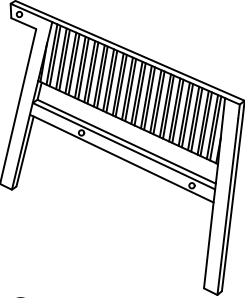
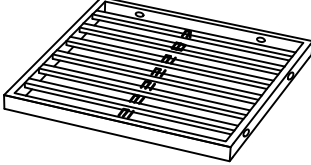
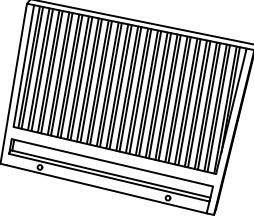
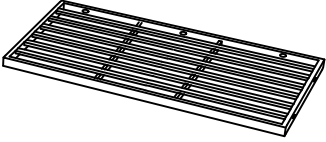
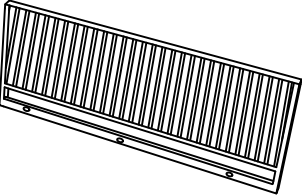
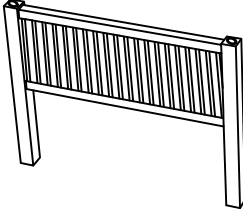
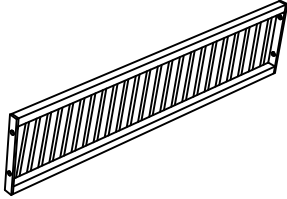

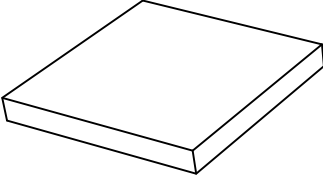
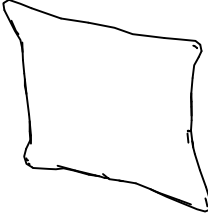
Notice:

1. 50% Tighten before fixing all screws, Allen wrench is recommended instead of an electric drill.
2. Place the item on a flat ground to adjust and make sure it remains stable.
3. Tighten up all screws with tools gradually.
4. If the screws are not aligned with holes during assembly, please loosen all the other screws to 50% and continue the assembly process.
5. If the item is not stable, please loosen all the screws, adjust it on a flat ground and tighten up all screws again.
6. Note : If one or some screws are fully tightened during assembly, chances are the others will not be aligned with holes. In addition, all the holes are designed to be relatively larger to provide more space for the adjustment of the screws.

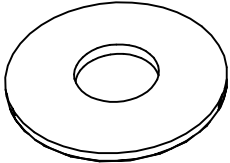
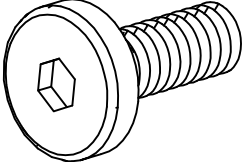
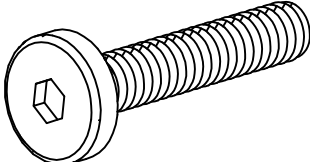

Employed View



PART LIST

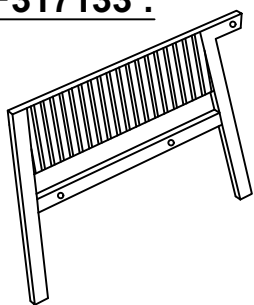
 <p>Ax3</p>	 <p>Bx3</p>	 <p>Cx2</p>	 <p>Dx2</p>
 <p>Ex1</p>	 <p>Fx1</p>	 <p>Gx2</p>	 <p>Hx2</p>
 <p>Ix1</p>	 <p>Jx4</p>	 <p>Kx4</p>	

HARDWARE LIST

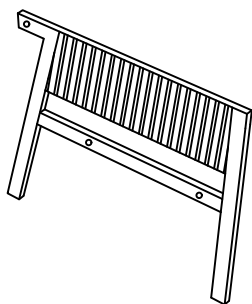
 <p>1- Washer : 33 pcs Extra : 2 pcs</p>	 <p>2- Bolt 6x20 : 8 pcs Extra : 1 pcs</p>	 <p>3- Bolt 6x40 : 25 pcs Extra : 2 pcs</p>	 <p>4- Allen key : 2 pcs</p>

CARTON CONTENT :

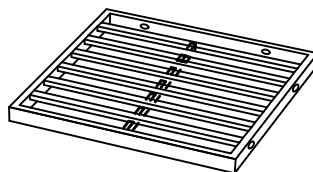
WF317133 :



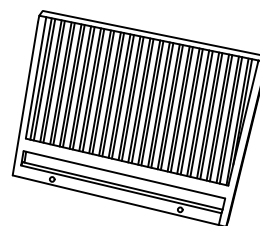
Ax2



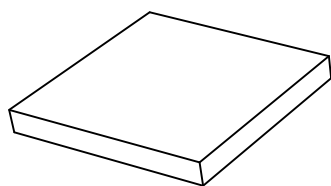
Bx2



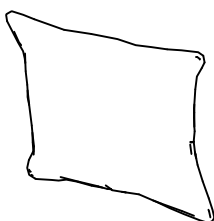
Cx2



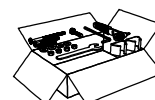
Dx2



Jx2

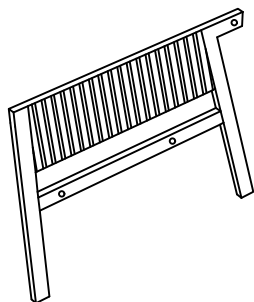


Kx2

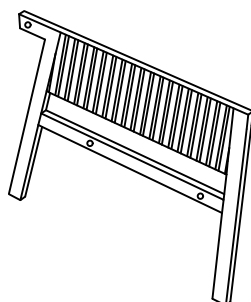


Hardware

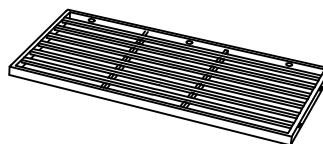
WF317134 :



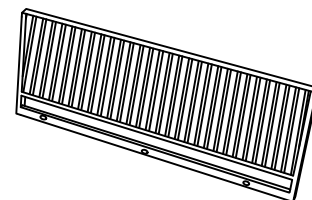
Ax1



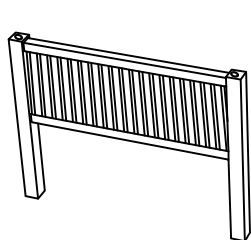
Bx1



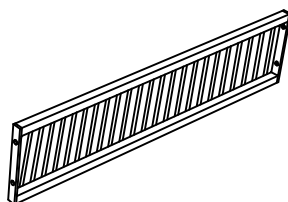
Ex1



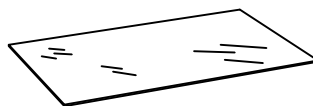
Fx1



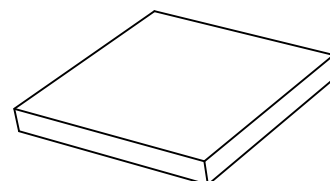
Gx2



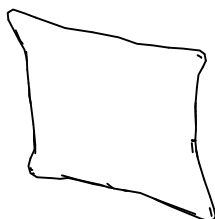
Hx2



Ix1

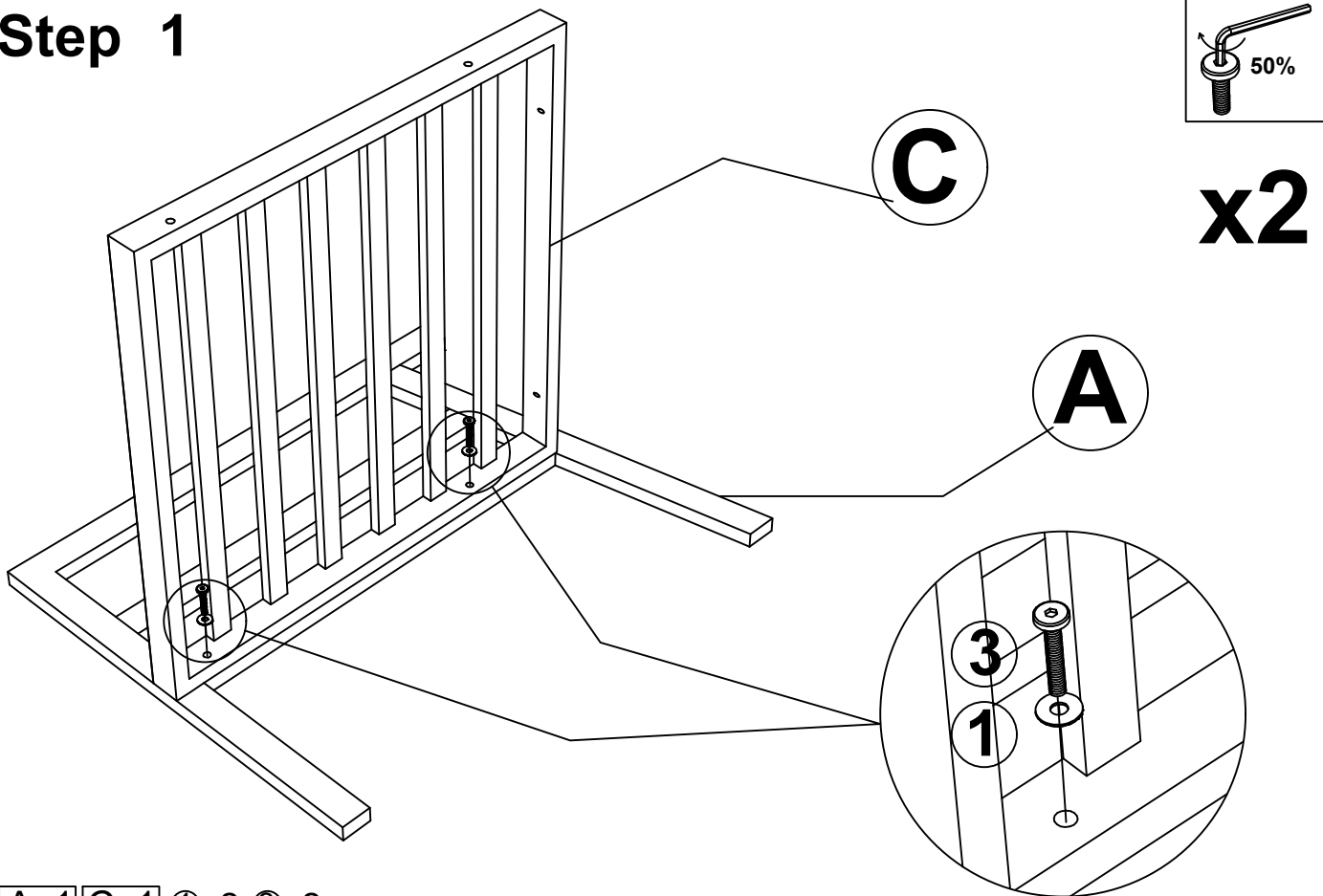


Jx2



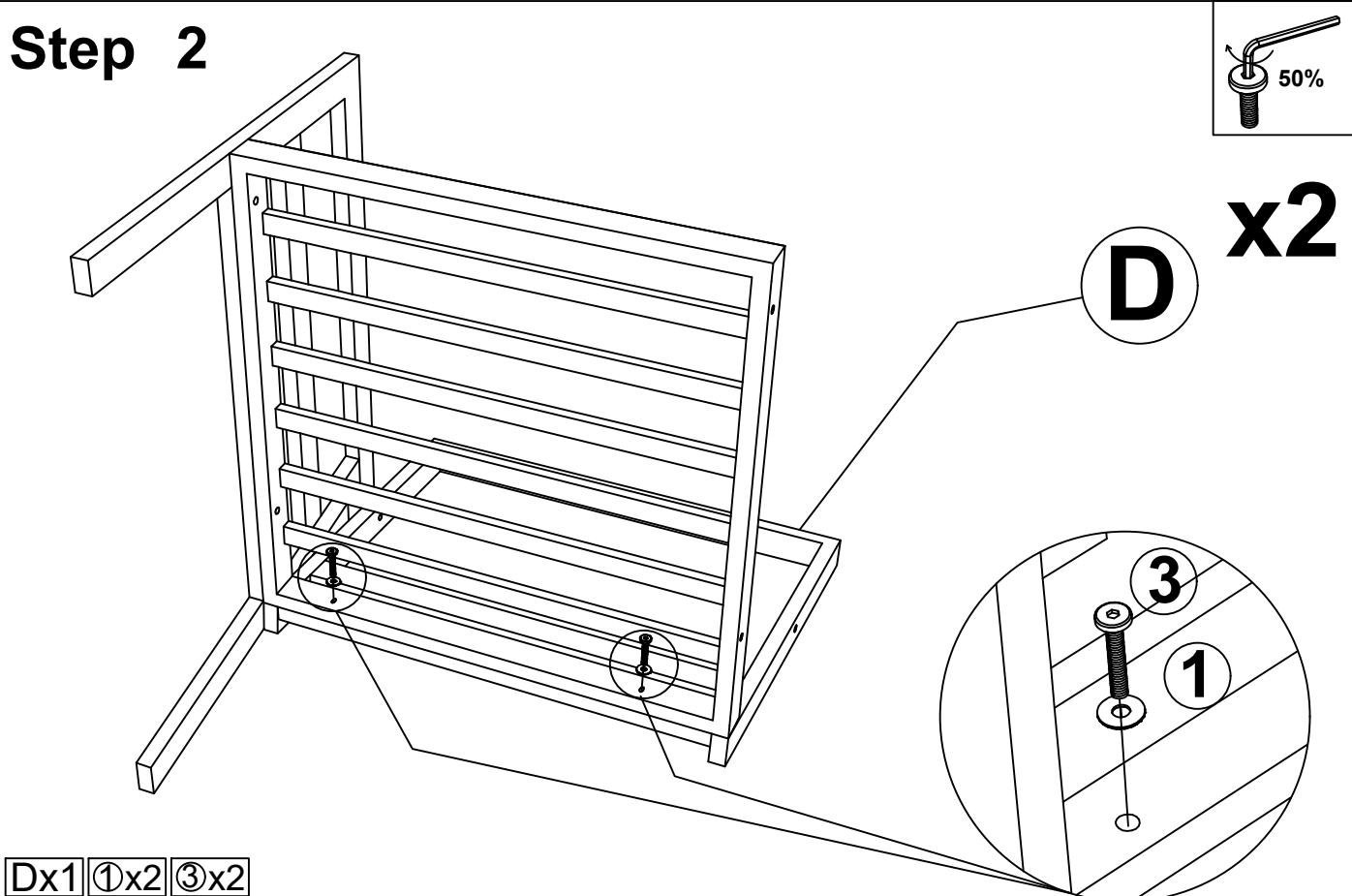
Kx2

Step 1



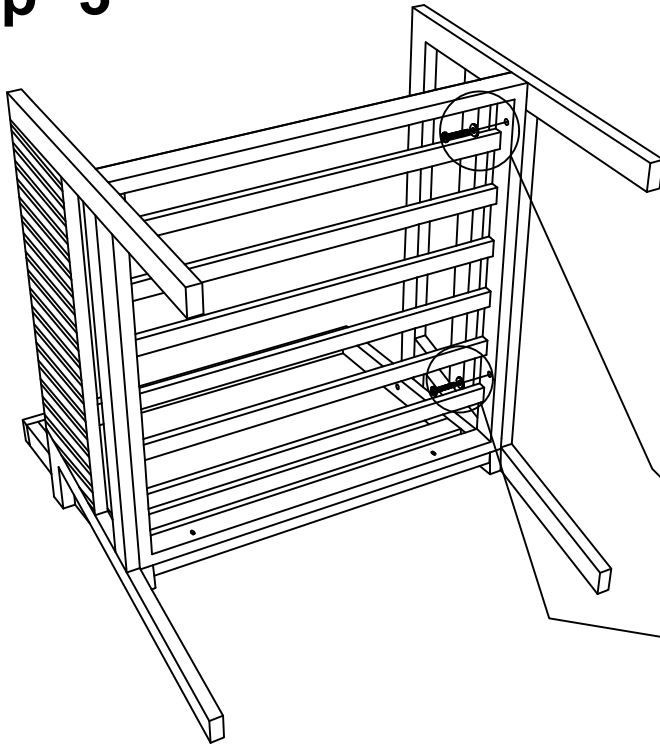
Ax1 Cx1 ①x2 ③x2

Step 2

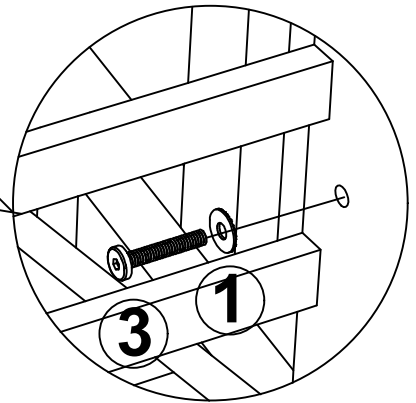


Dx1 ①x2 ③x2

Step 3

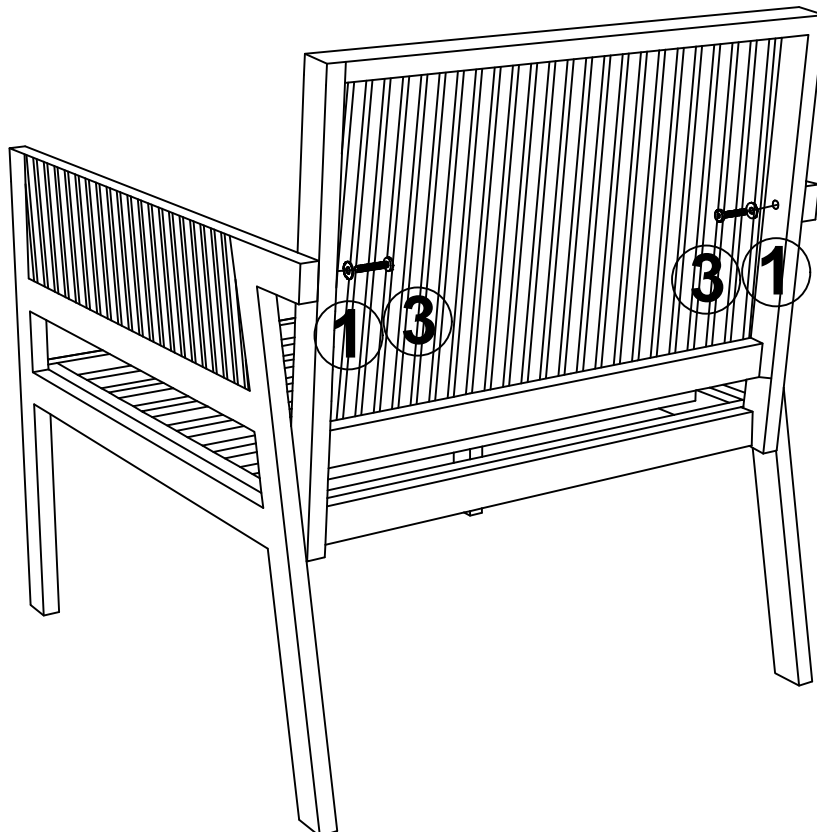


x2



Bx1 ①x2 ③x2

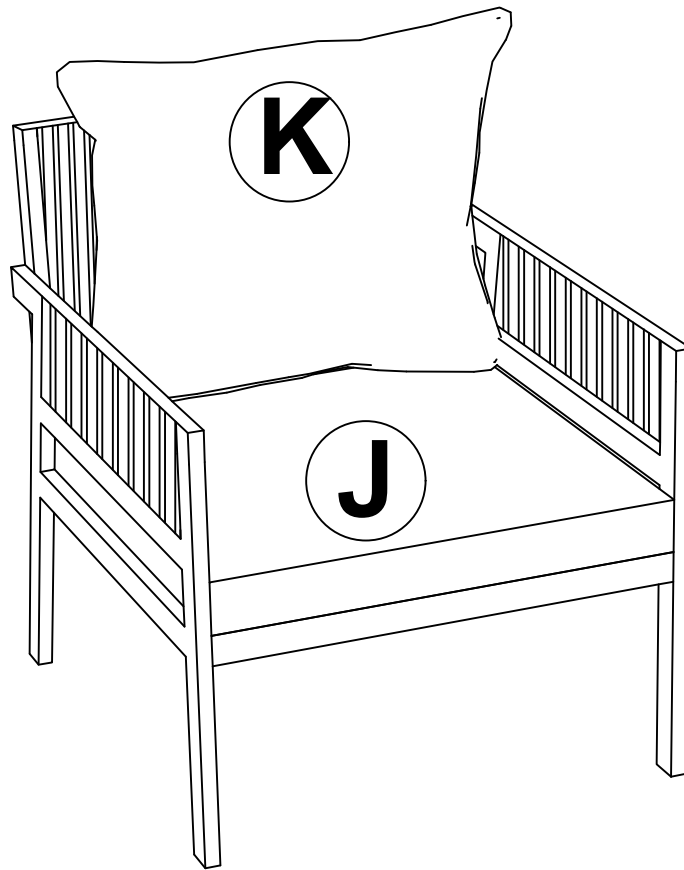
Step 4



x2

①x2 ③x2

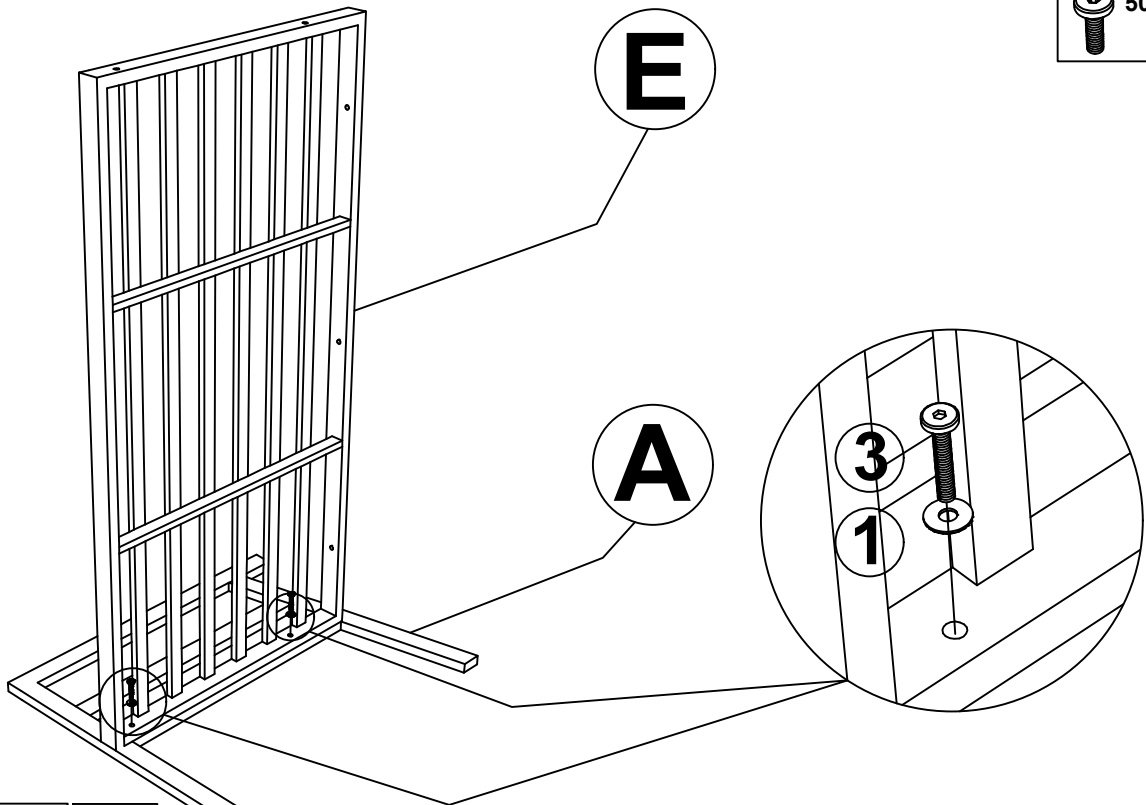
Step 5



x2

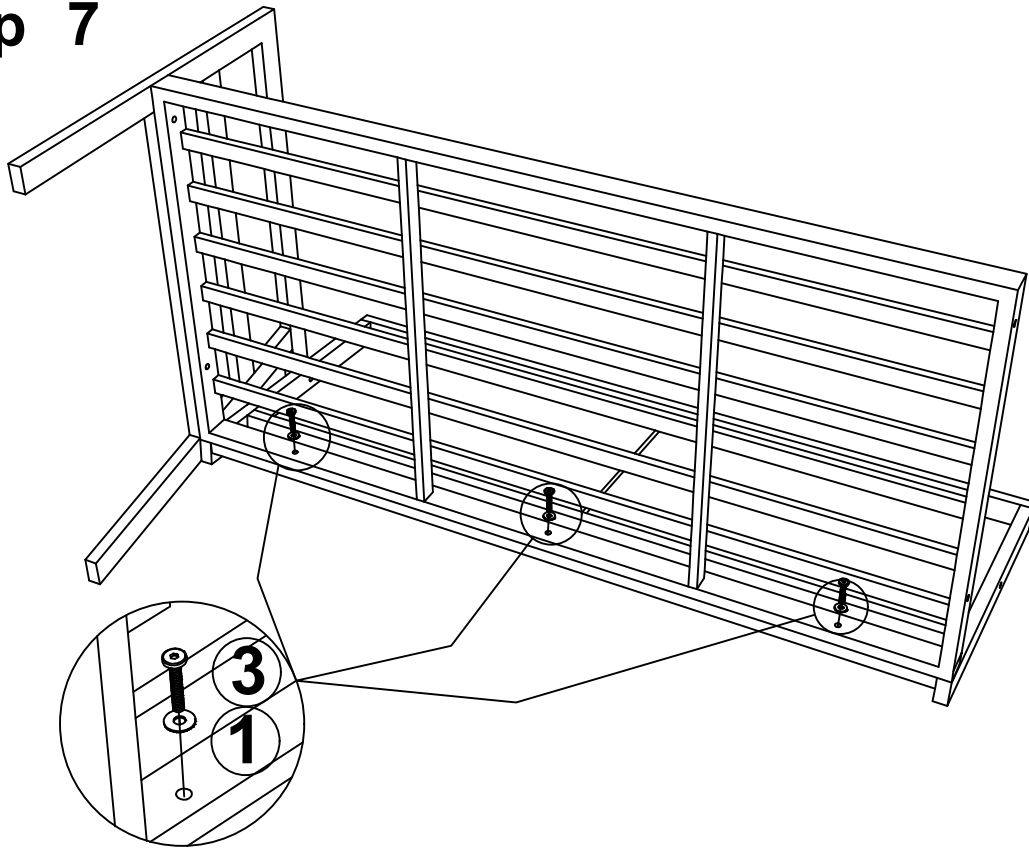
Jx1 Kx1

Step 6



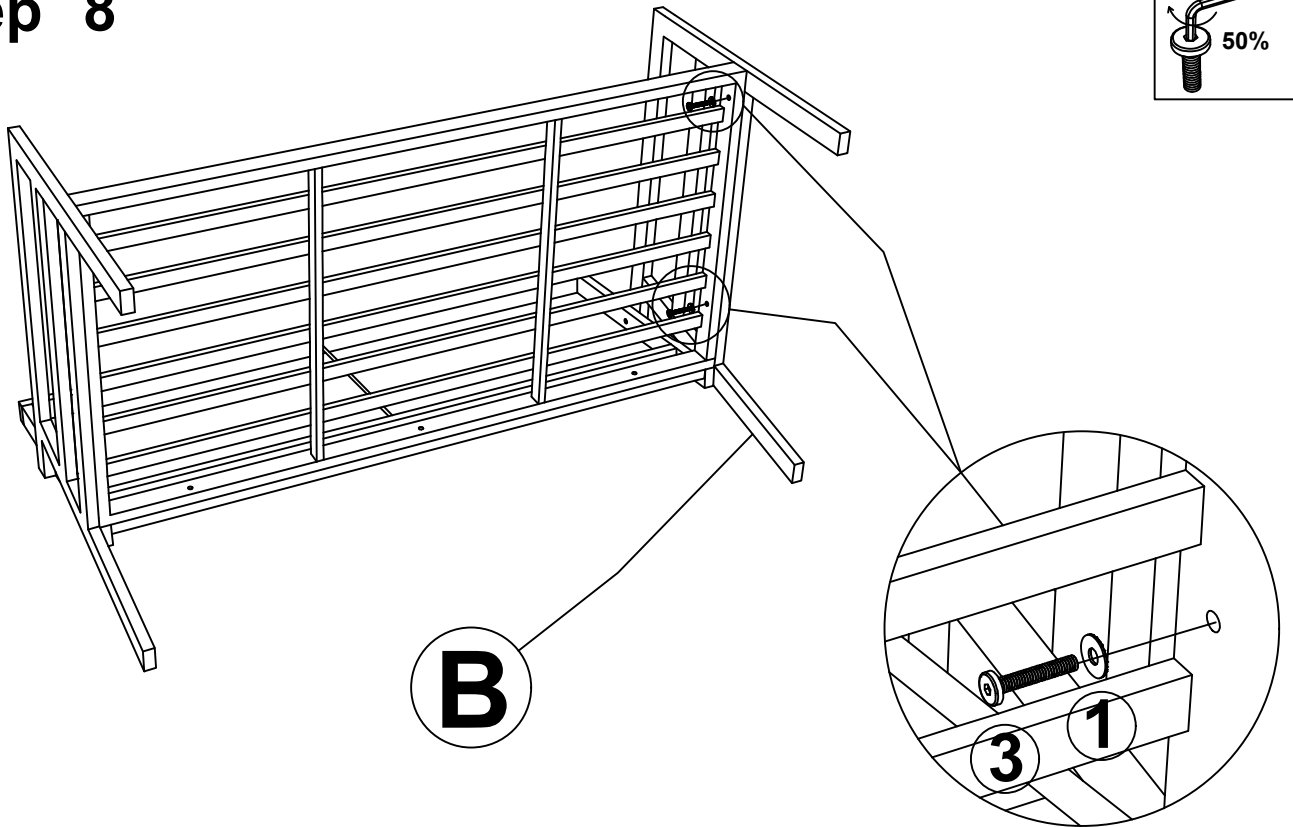
Ax1 Ex1 ①x2 ③x2

Step 7



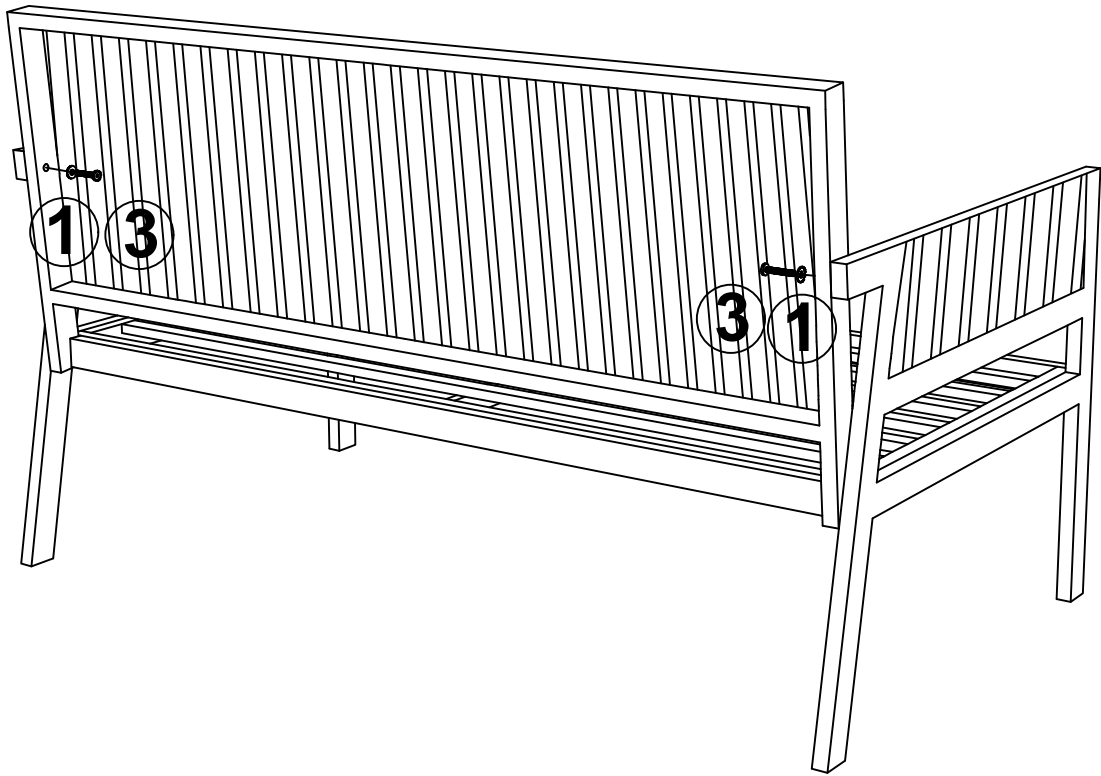
Fx1 ①x3 ③x3

Step 8



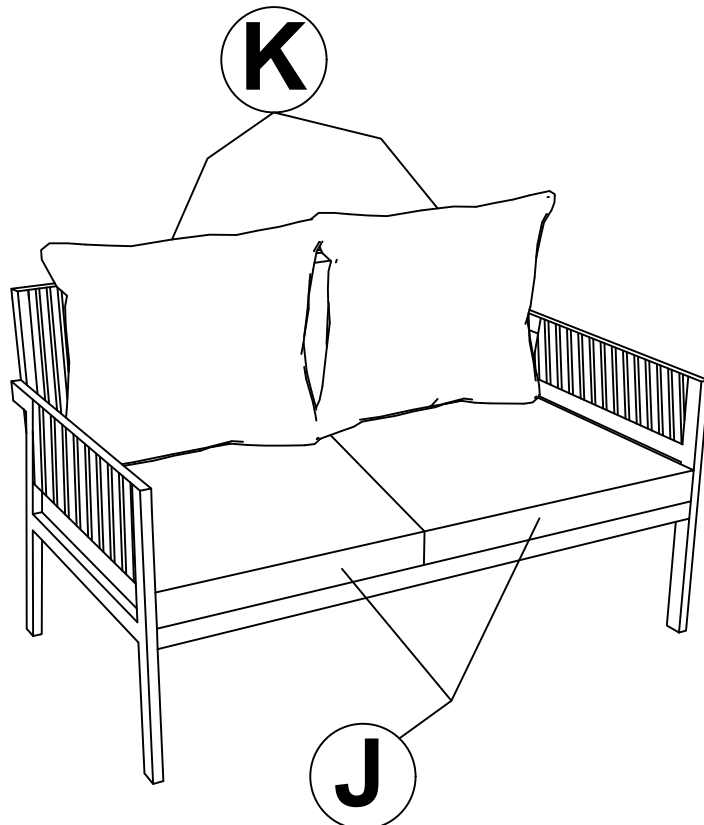
Bx1 ①x2 ③x2

Step 9



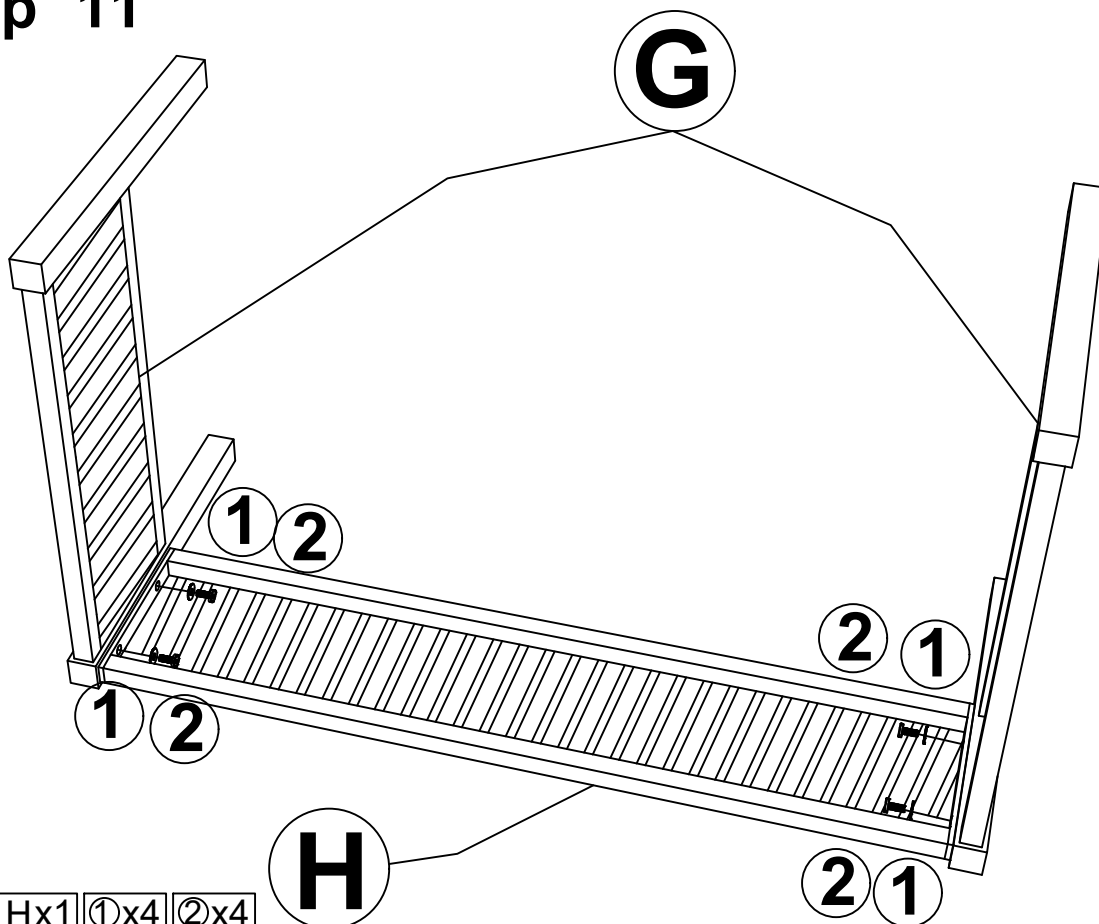
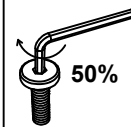
①x2 ③x2

Step 10



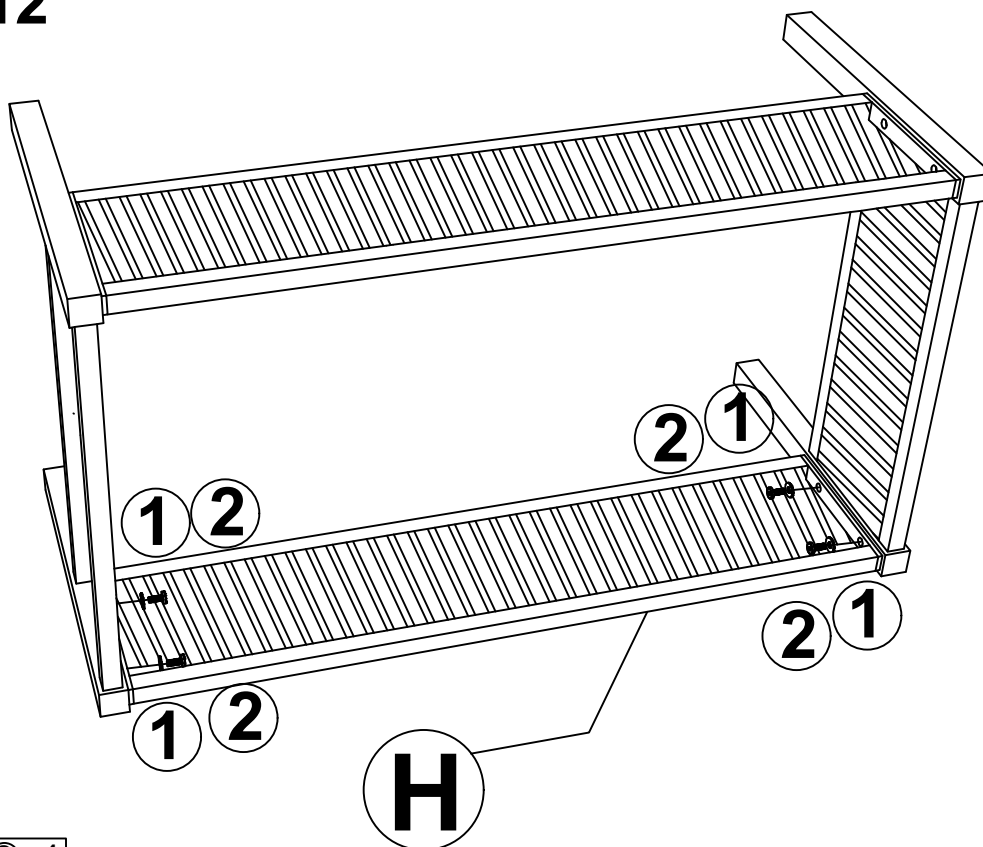
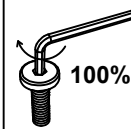
Jx2 Kx2

Step 11

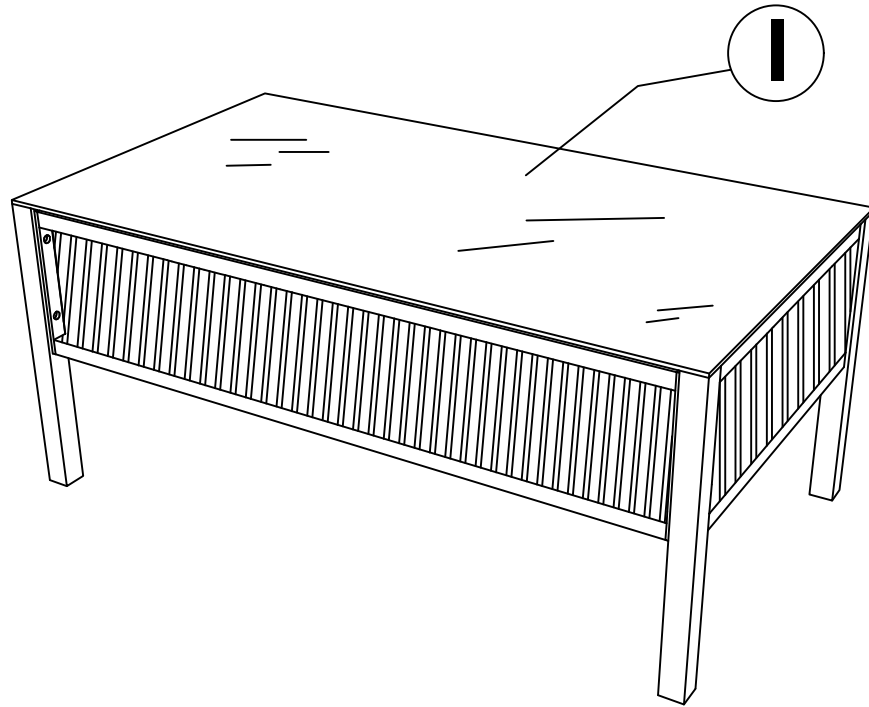


Gx2 Hx1 ①x4 ②x4

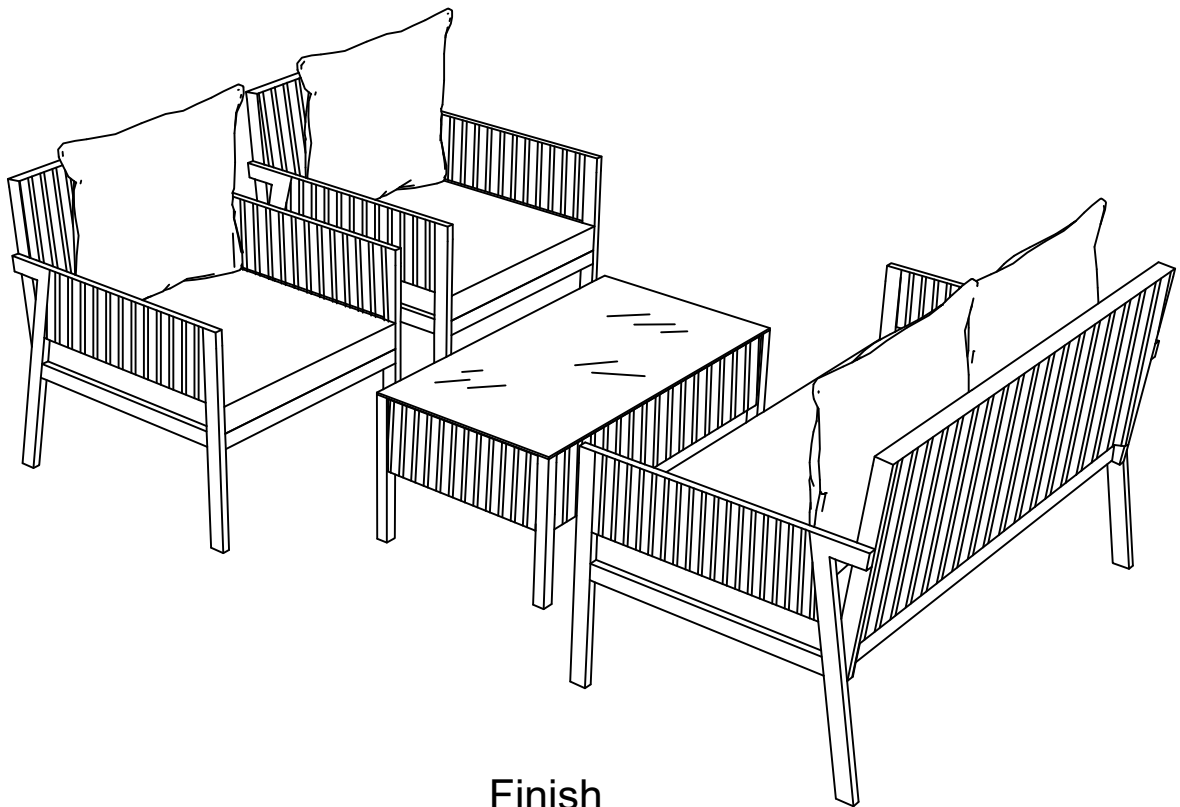
Step 12



Hx1 ①x4 ②x4



1x1



Finish