



# Safety and Care Advice

**Important – Please read these instructions fully before starting assembly**

- Check you have all the components and tools listed on the following pages.
- Remove all fittings from the plastic bags and separate them into their groups.
- Keep children and animals away from the work area, small parts could choke if swallowed.
- Make sure you have enough space to layout the parts before starting.

- During assembly do not stand or put weight on the product, this could cause damage.
- Assemble the item as close to its final position (in the same room) as possible.
- Assemble on a soft level surface to avoid damaging the unit or your floor.
- Parts of the assembly will be easier with 2 people.



- To reduce the likelihood of damaging your product please ensure that your power drill is set on a low torque setting.

## Care and maintenance

- Only clean using a damp cloth and mild detergent, do not use bleach or abrasive cleaners.
- From time to time check that there are no loose screws on this unit.
- This product should not be discarded with household waste. Take to your local authority waste disposal centre.

## Handy Hints

- Assemble all parts and bolts loosely during assembly, only once the product is complete should you fully tighten the bolts
- Regularly check and ensure That all bolts and fittings are tightend properly.

## **WARNING** In order to help prevent overturning – please follow these instructions

To help prevent product toppling over please follow the below steps:-

Use the anti tip stap or wall fixing method provided (if applicable)  
Do not allow children to climb or hang on the furniture  
Do not open more than one drawer at a time  
Do not place heavy items in the top drawers  
Do not place heavy items on top of the furniture, unless the furniture has been designed for this purpose

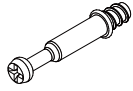

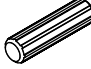



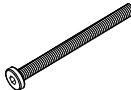

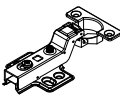
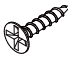
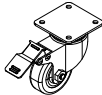
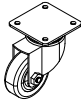





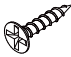



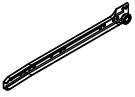

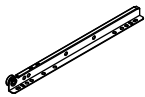
Please note that only the anti tip strap is provided.

You will need to provide wall plugs and screws applicable for your wall type

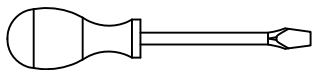
# Components - Fittings

Please check you have all the panels listed below

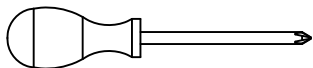
Note: The quantities below are the correct amount to complete the assembly. In some cases more fittings may be supplied than are required.

 (A) Cam Bolt x 52	 (B) Cam lock x 52	 (C) Dowel x 36	 (D) 4*30mm Screw x 32
 (E) 4*25mm Screw x 4	 (F) 4*35mm Screw x 14	 (G) 6*50mm Screw x 8	 (H) Vertical nut x 8
 (I) Hinge x 2	 (J) 3.5*12mm Screw x 28	 (K) Locking caster x 2	 (L) Caster x 3
 (M) 6*14mm Screw x 20	 (N) Allen key x 1	 (O) Shelf support pin x 4	 (P) 3*25mm Screw x 8
 (Q) Colloidal particles x 1	 (R) 3*12mm Screw x 72	 (S) 380mm Drawer slide x 4	 (T) Hole to stick x 40
 (CL) 350mm runner x 6	 (CR) 350mm runner x 6	 (DL) 350mm runner x 6	 (DR) 350mm runner x 6

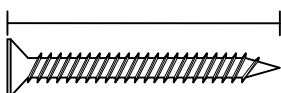
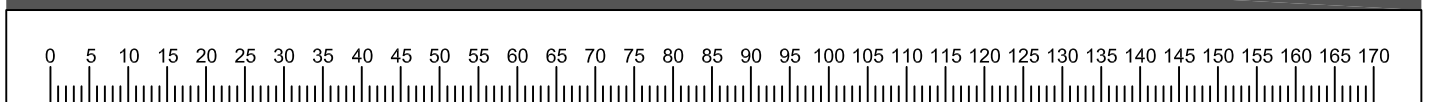
## Tools required



Phillips screwdriver  
(medium & large)



## Ruler - Use this ruler to help correctly identify the screws



The screws length is measured from the head to the point (35mm screw shown).

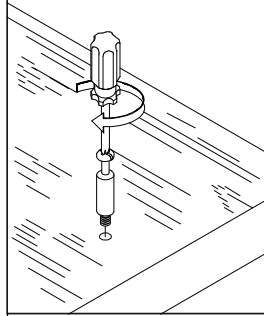
# Using Camlocks

## Step 1

Connect the male camlock as directed in the assembly instructions using a screwdriver.

1

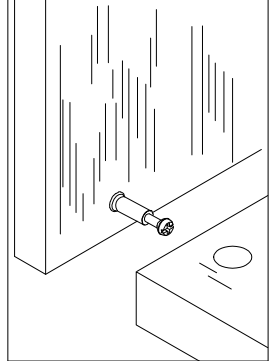
DO NOT OVER TIGHTEN.  
NE PAS SERRER EXCESSIVEMENT.



## Step 2

Push the male camlock into the entry hole.

2

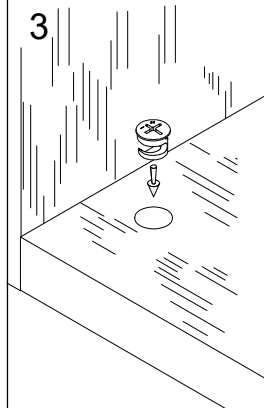


## Step 3

Insert the female camlock as shown in the instruction.

Note: ensure that the arrow on the top of the camlock points towards the entry hole for the male camlock.

3



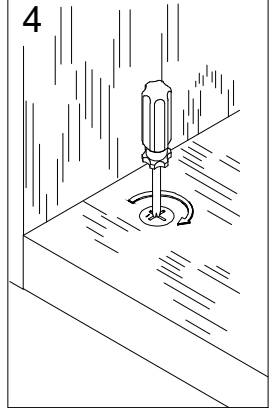
## Step 4

Turn the female camlock clockwise with a screwdriver.

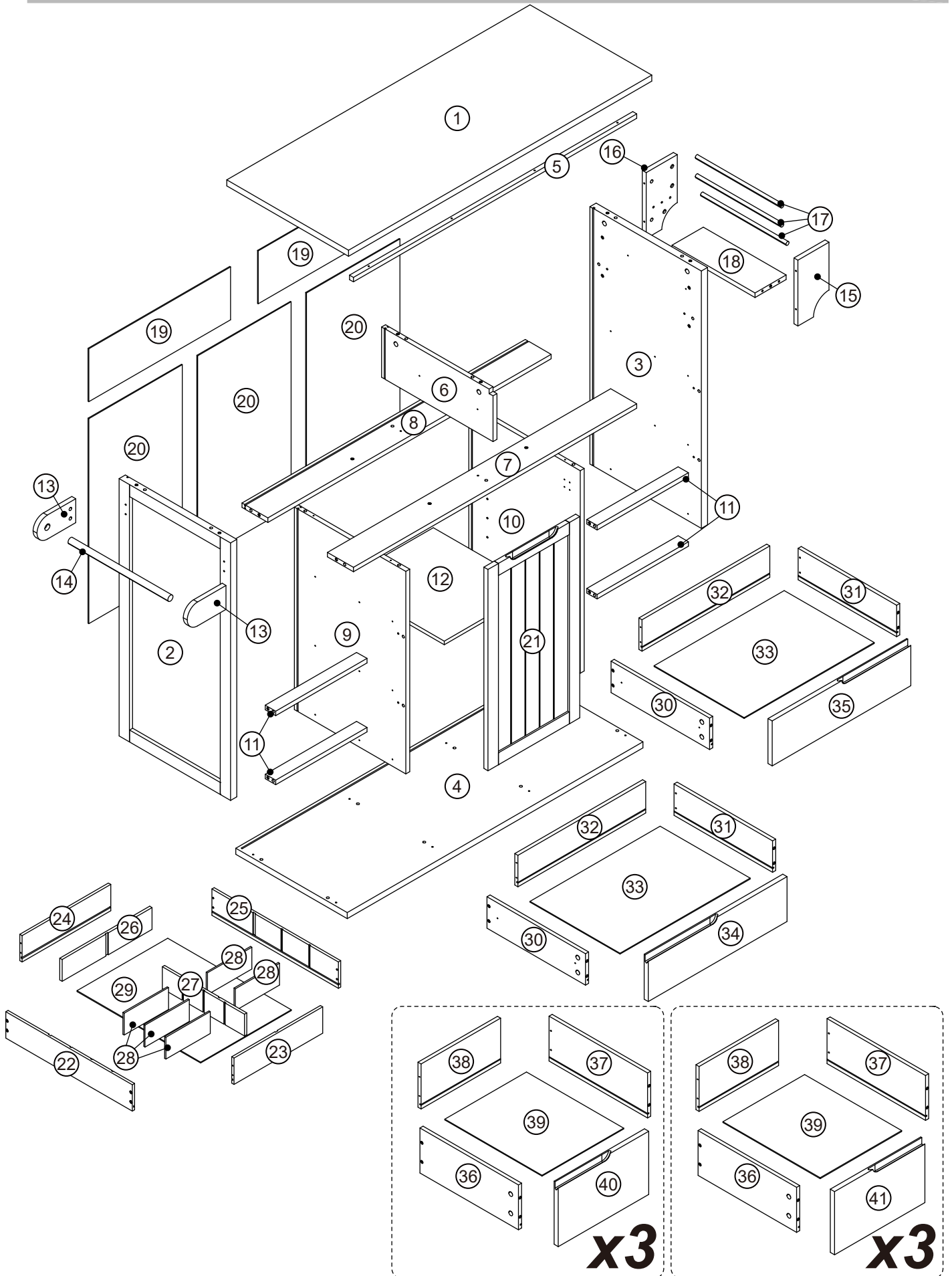
You should feel a click when the camlock is locked in place.

The joint is now secure.

4

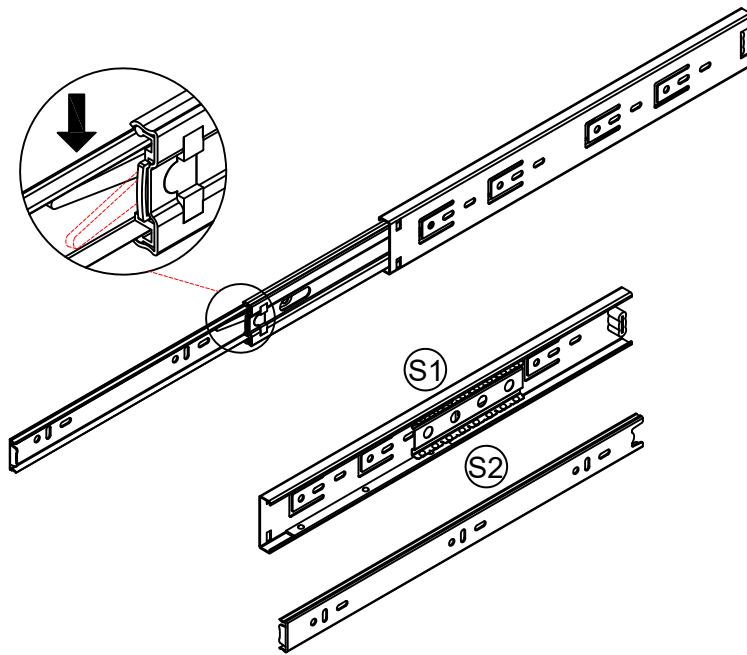


# Assembly Instructions



# Assembly Instructions

## Step 1

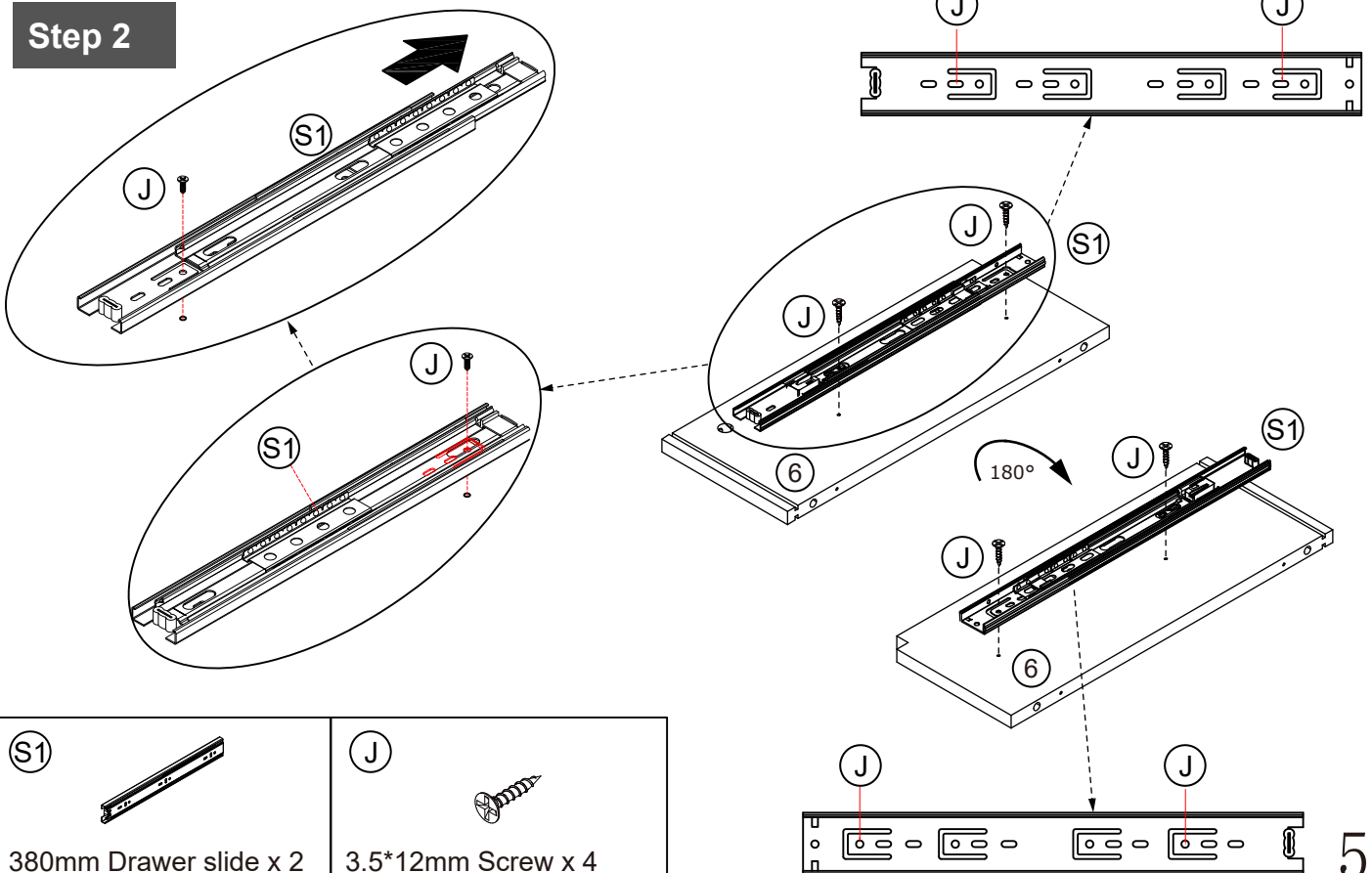


(S)

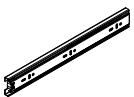


380mm Drawer slide x 4

## Step 2



(S1)



380mm Drawer slide x 2

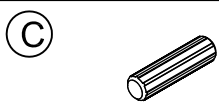
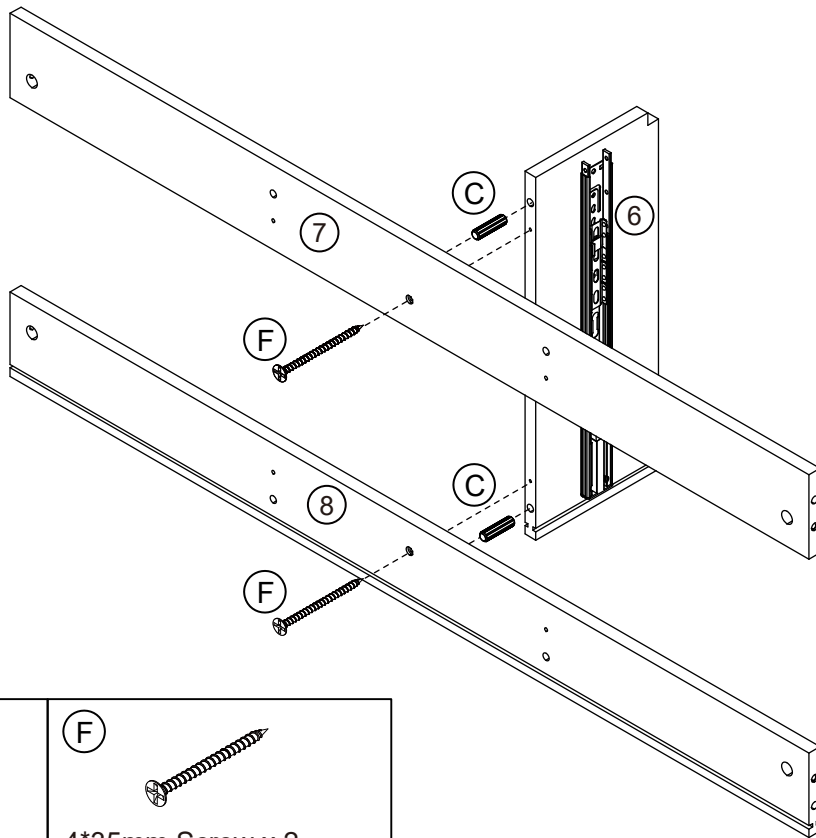
(J)



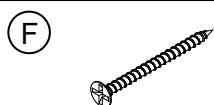
3.5\*12mm Screw x 4

# Assembly Instructions

## Step 3

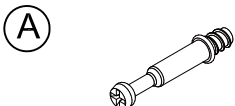
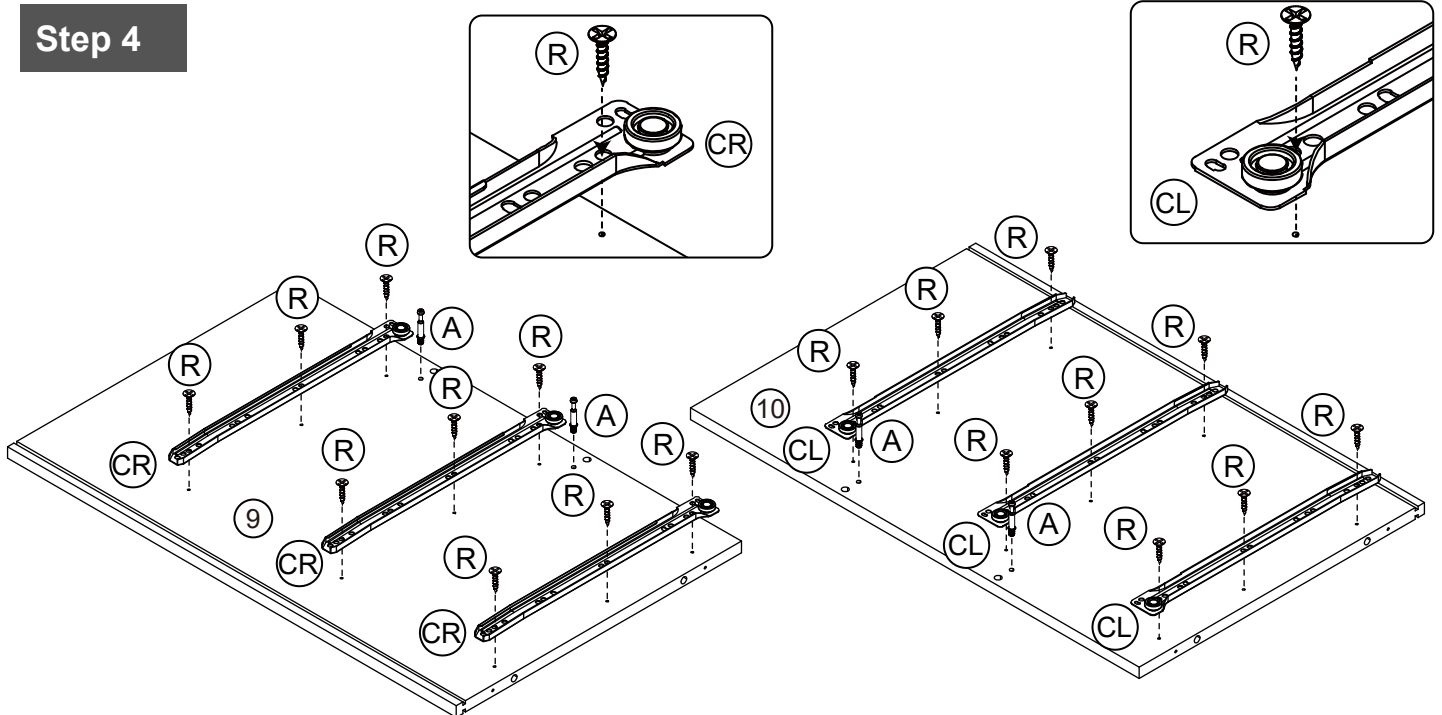


Dowel x 2



4\*35mm Screw x 2

## Step 4



Cam Bolt x 4



3\*12mm Screw x 18



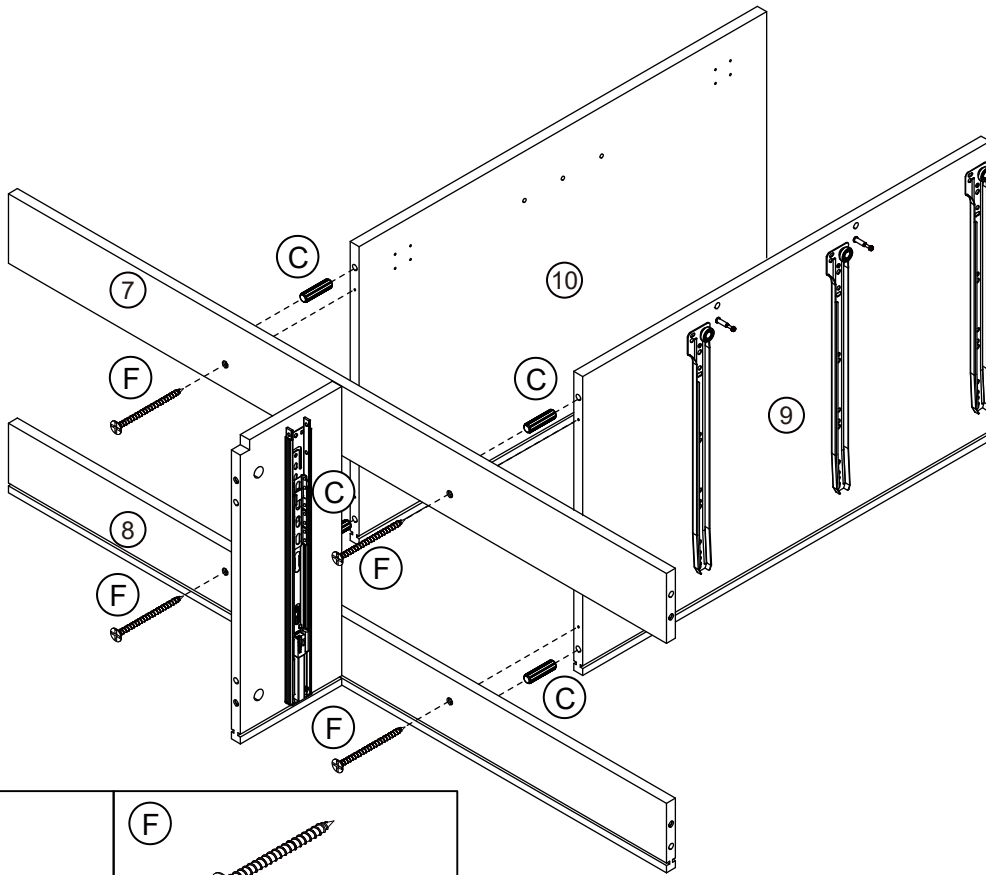
350mm runner x 3



350mm runner x 3

# Assembly Instructions

## Step 5



(C)



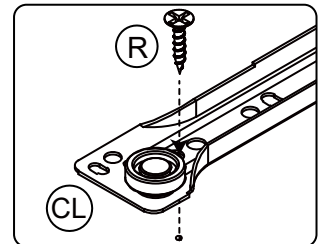
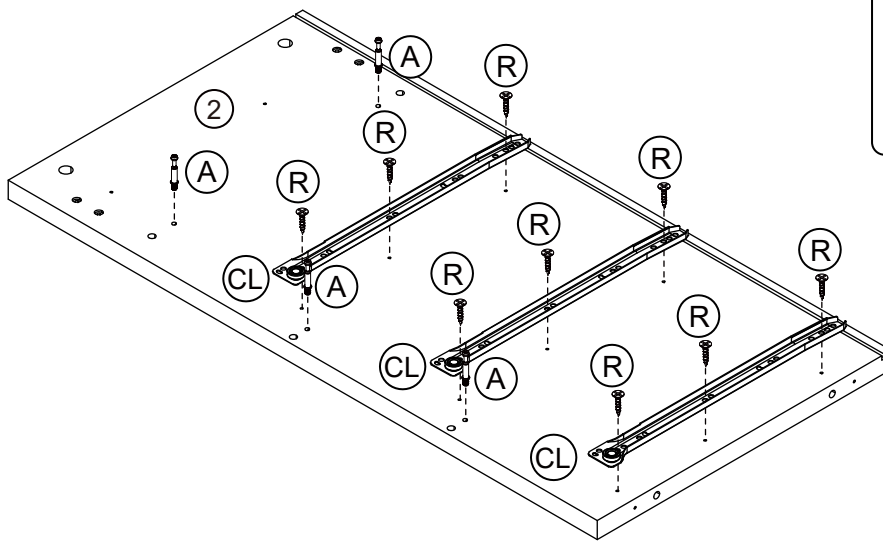
Dowel x 4

(F)

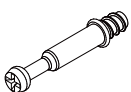


4\*35mm Screw x 4

## Step 6



(A)



Cam Bolt x 4

(R)



3\*12mm Screw x 9

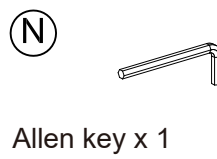
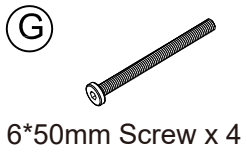
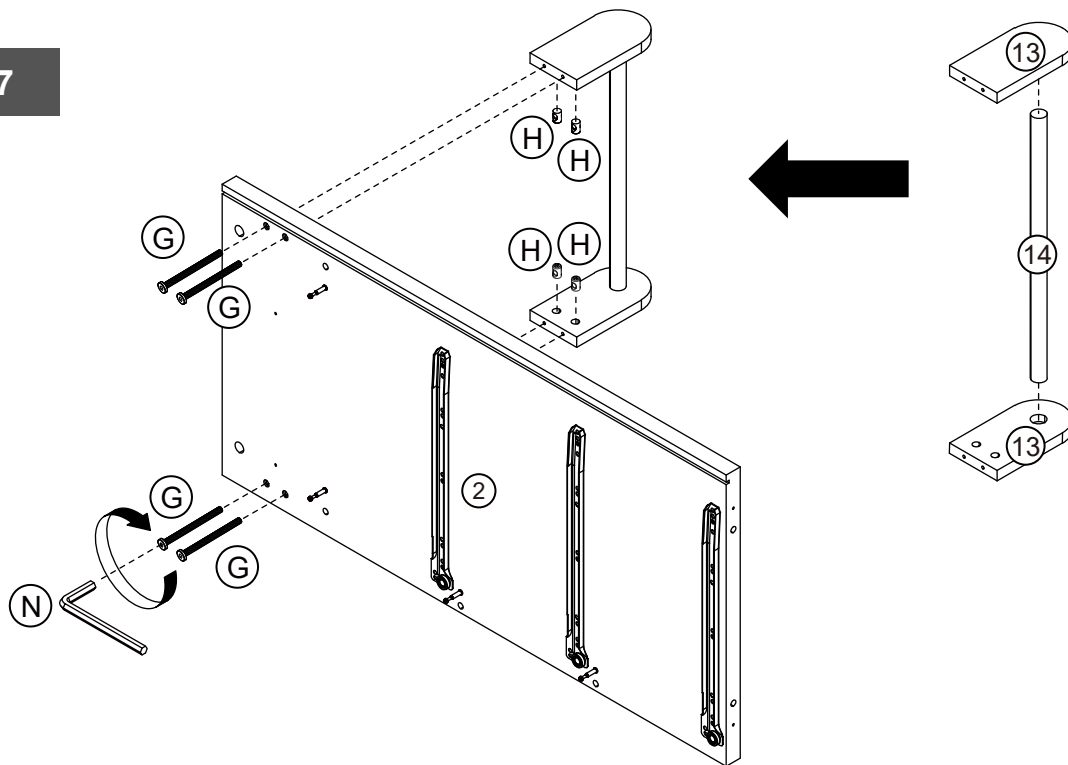
(CL)



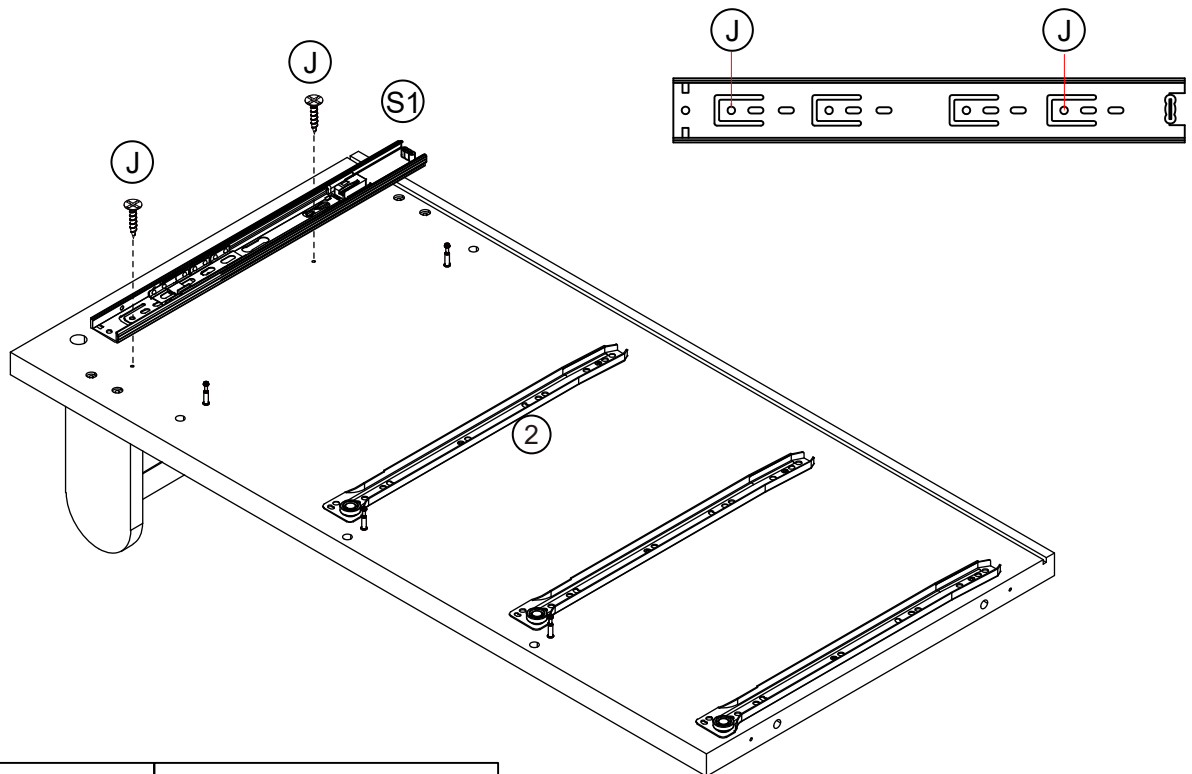
350mm runner x 3

# Assembly Instructions

## Step 7



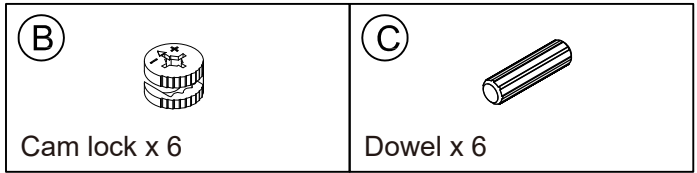
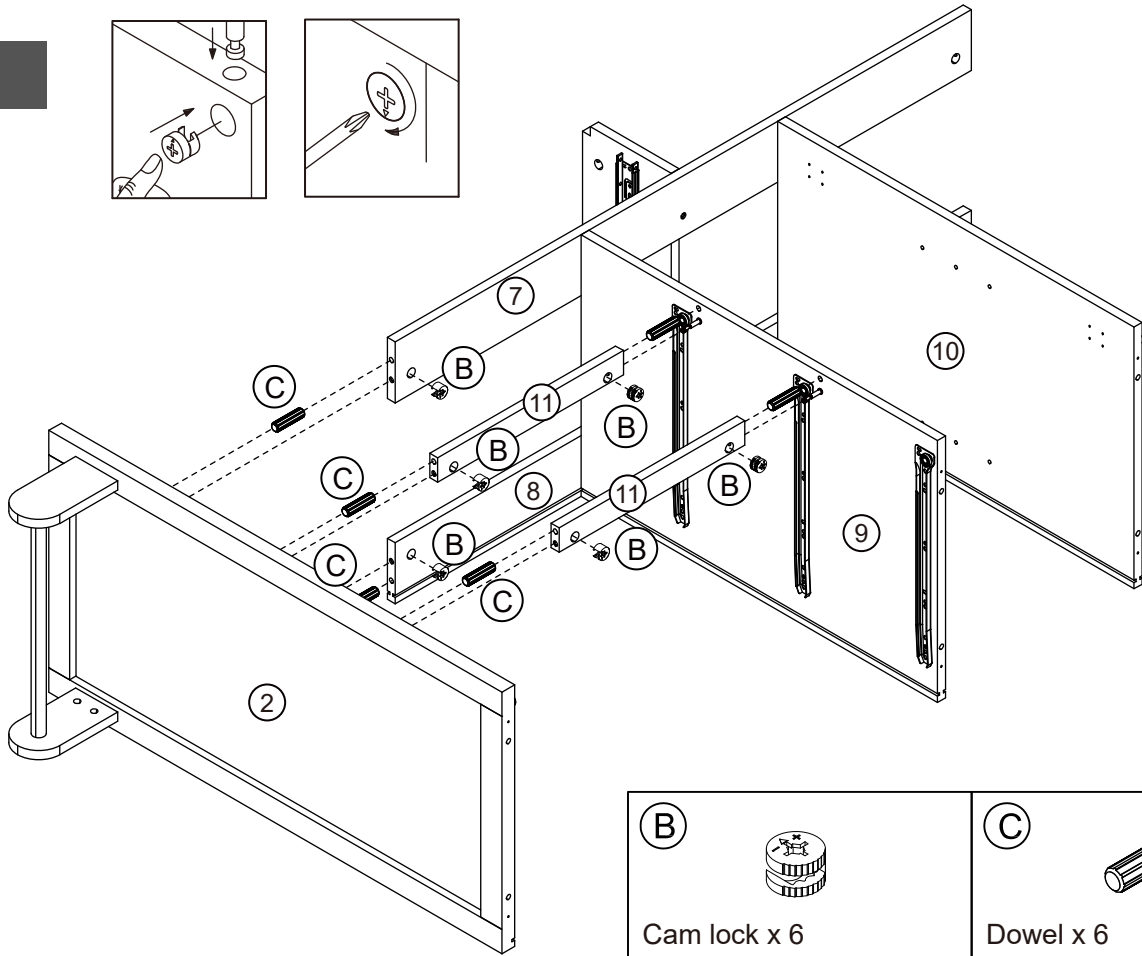
## Step 8



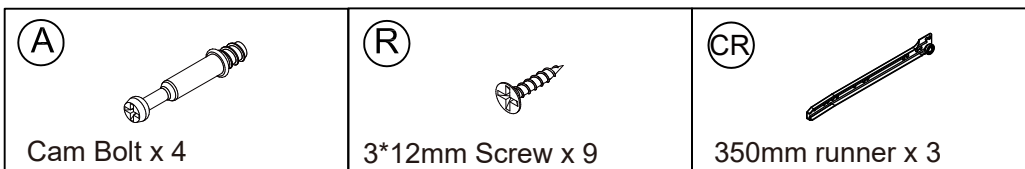
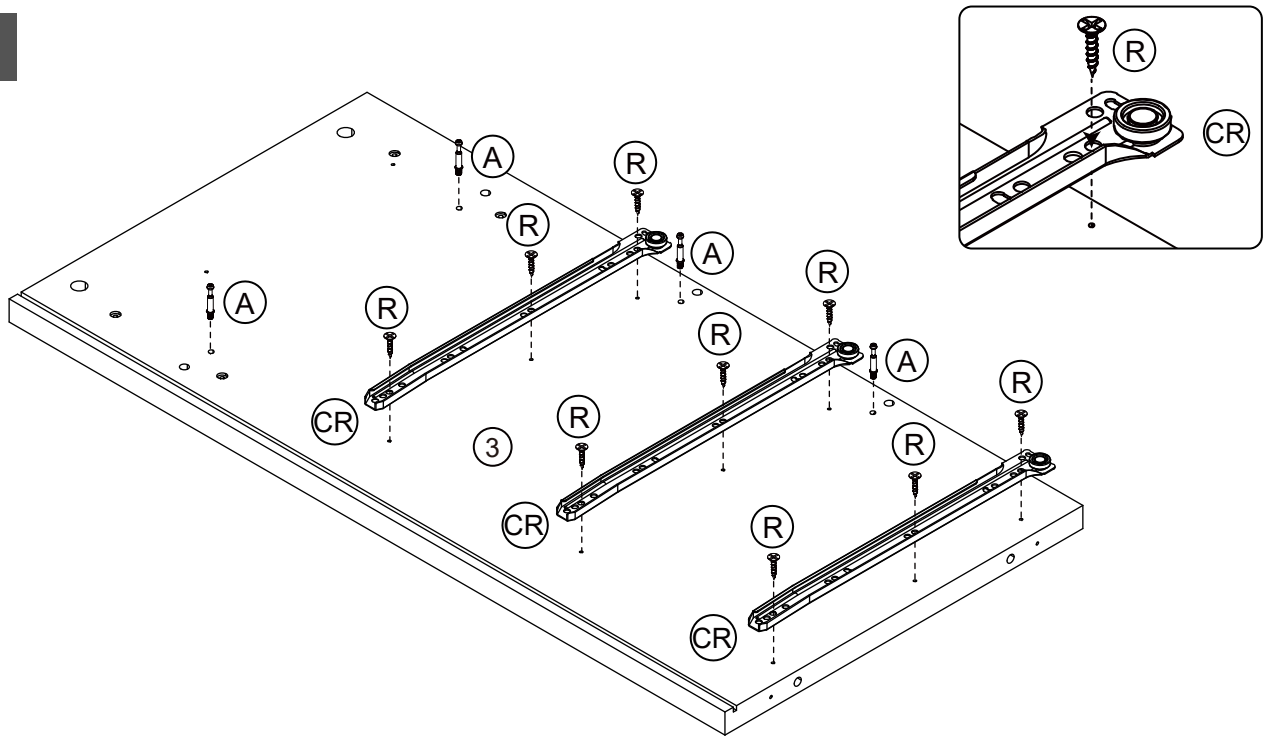


# Assembly Instructions

## Step 9

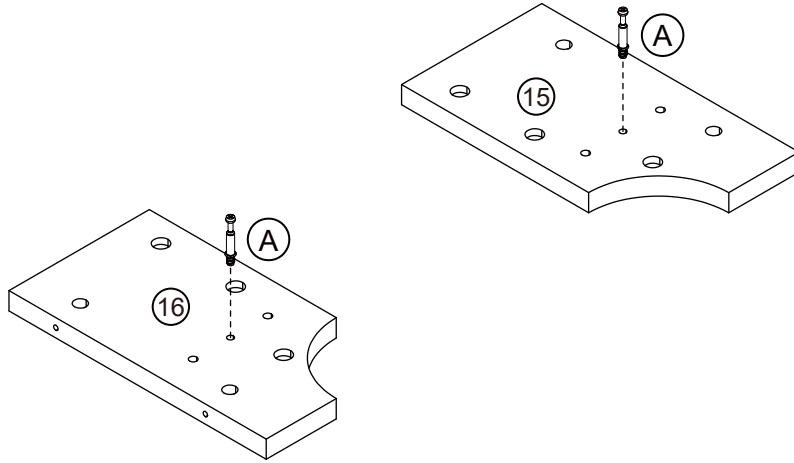


## Step 10

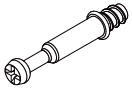


# Assembly Instructions

## Step 11

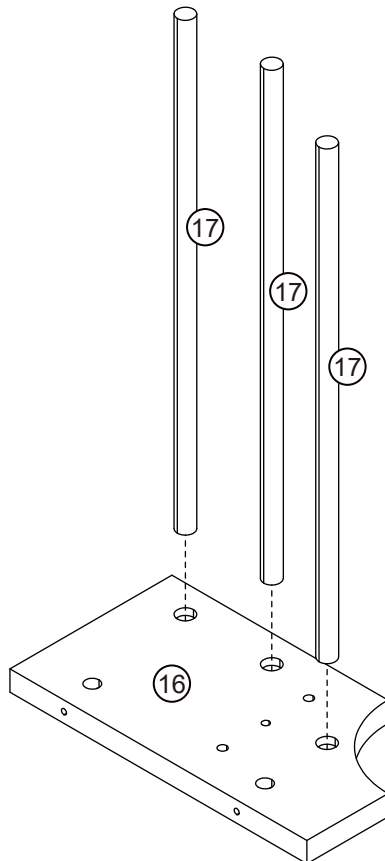


A



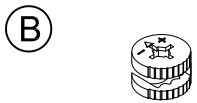
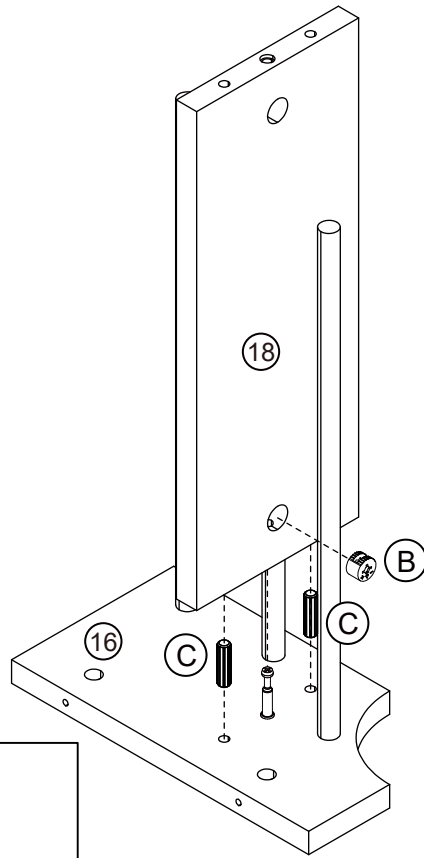
Cam Bolt x 2

## Step 12

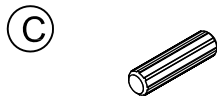


# Assembly Instructions

## Step 13

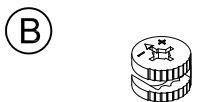
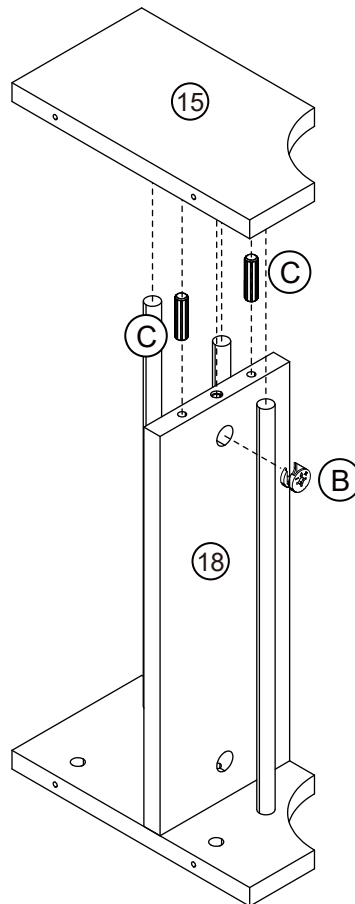


Cam lock x 1

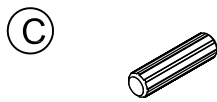


Dowel x 2

## Step 14



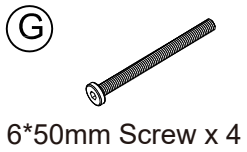
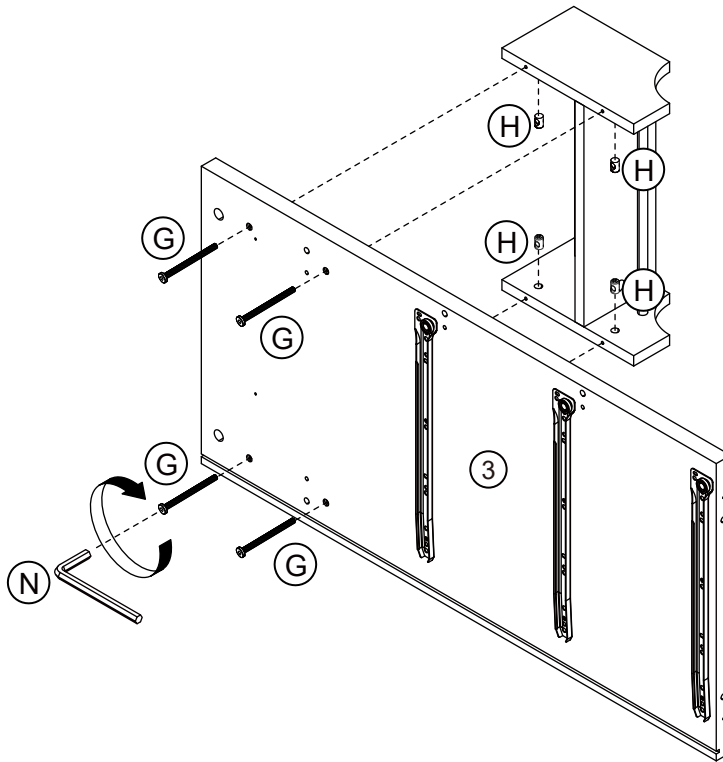
Cam lock x 1



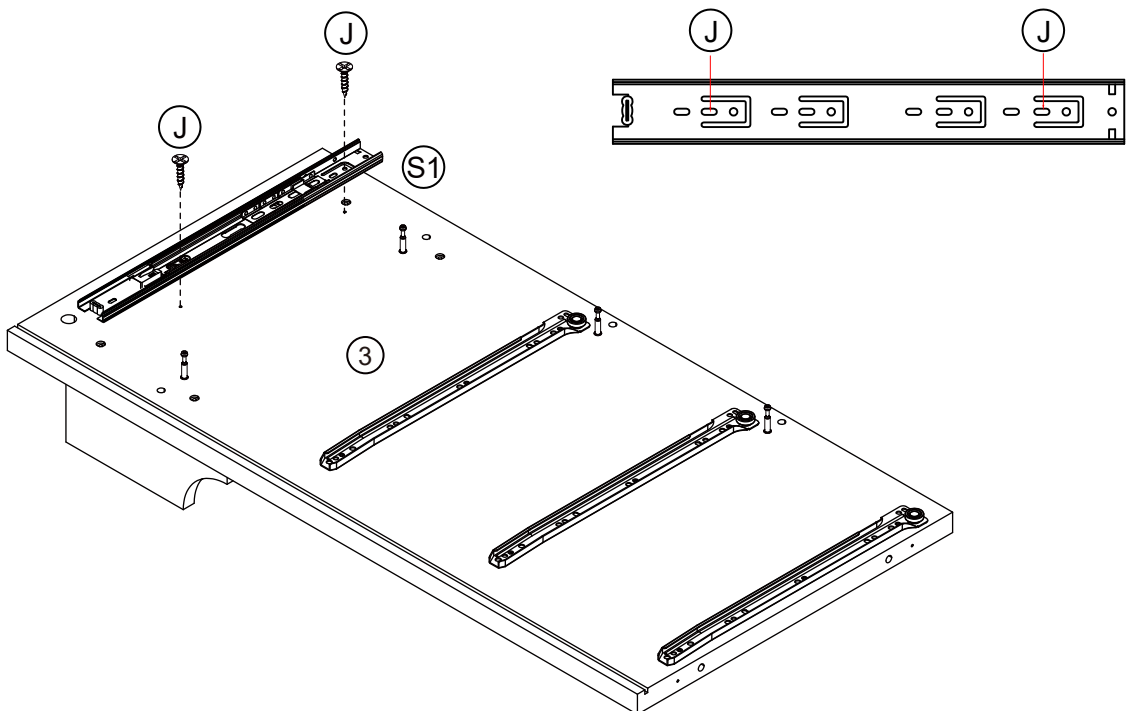
Dowel x 2

# Assembly Instructions

## Step 15

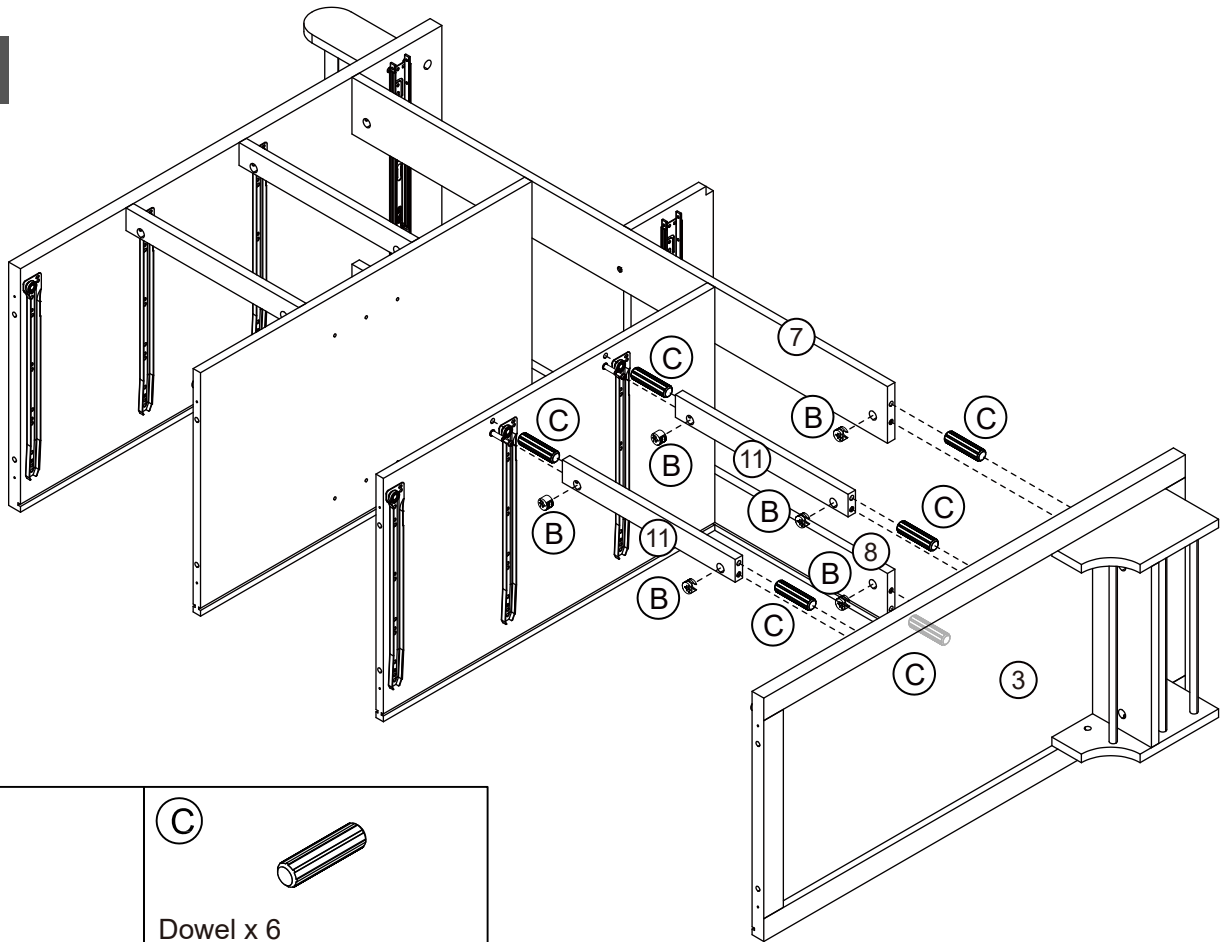


## Step 16



# Assembly Instructions

## Step 17



(B)



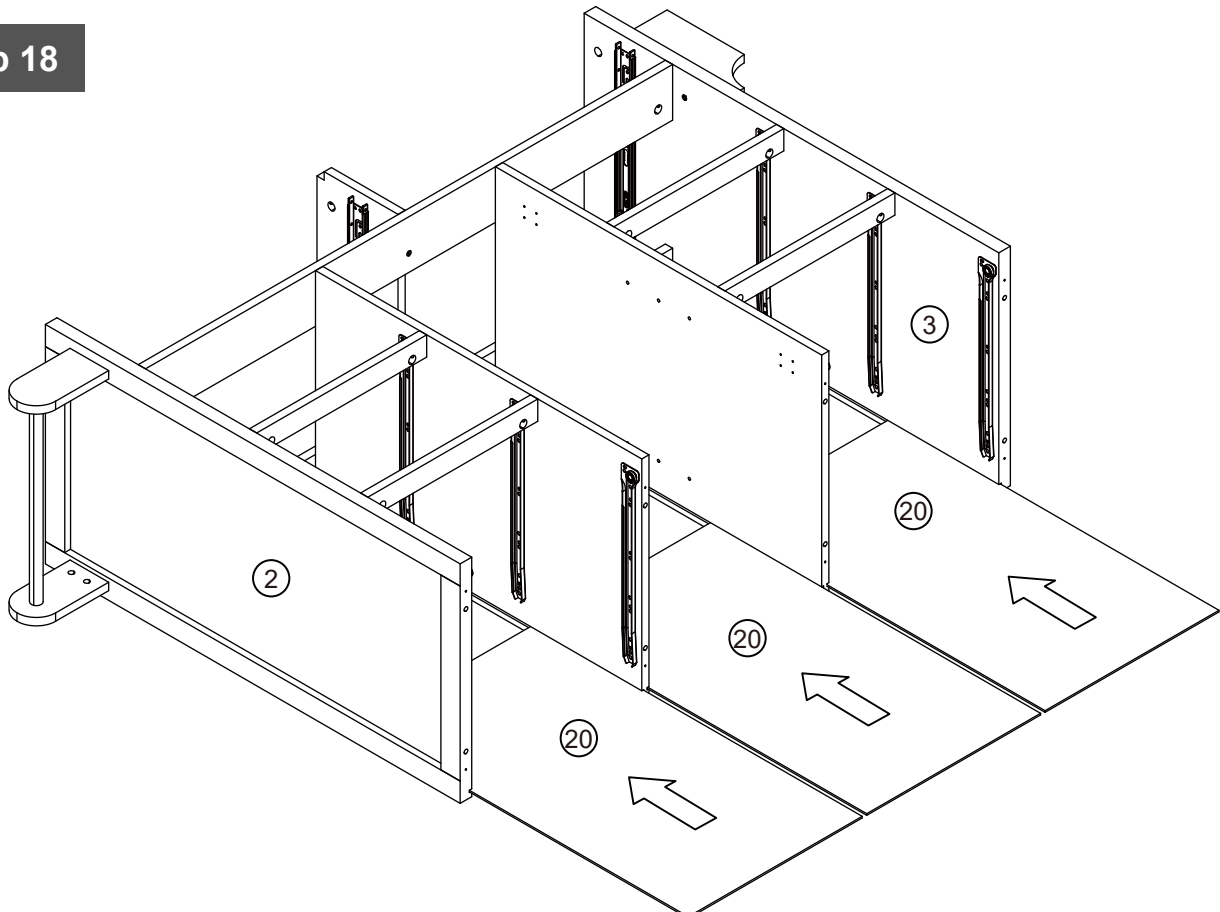
Cam lock x 6

(C)



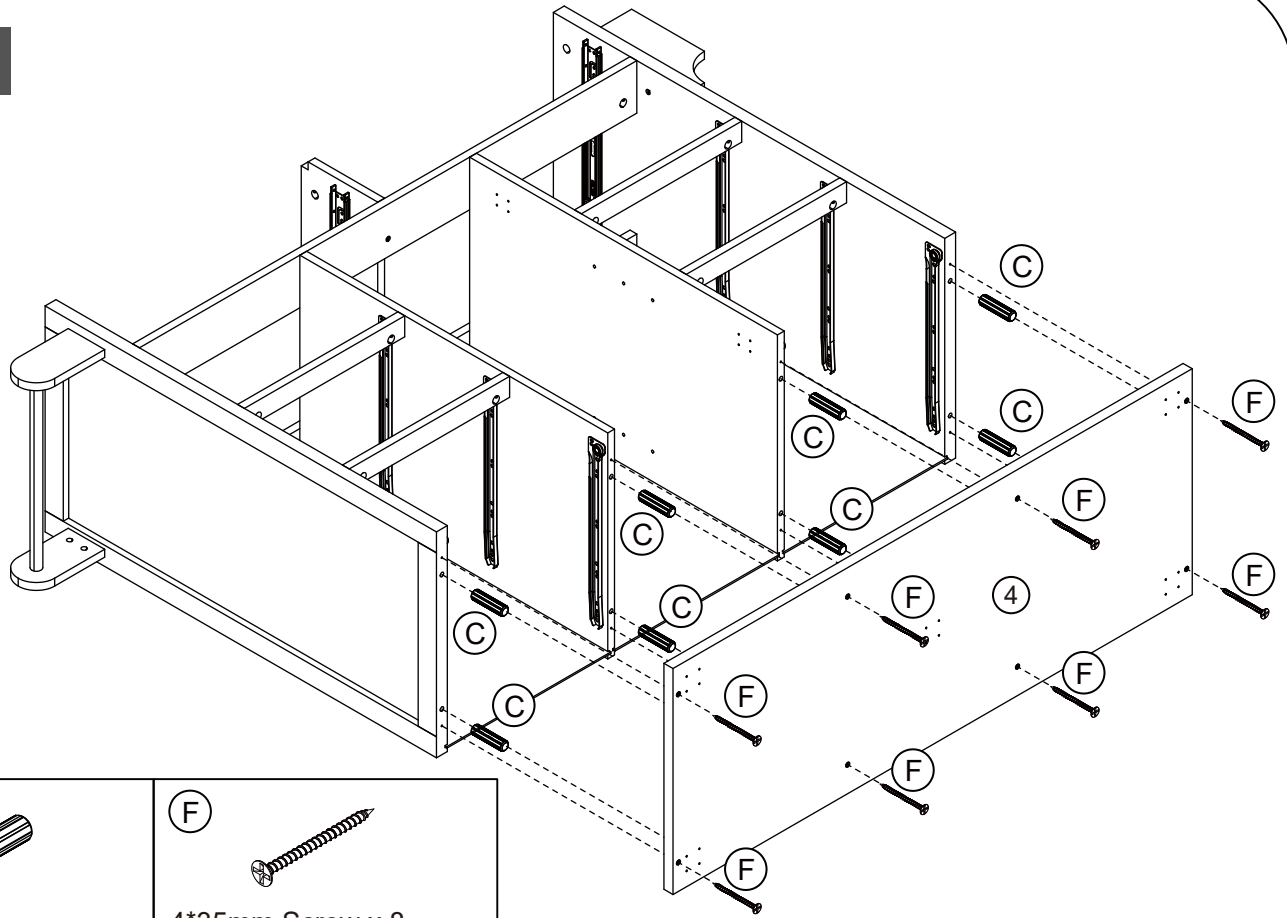
Dowel x 6

## Step 18



# Assembly Instructions

## Step 19



(C)



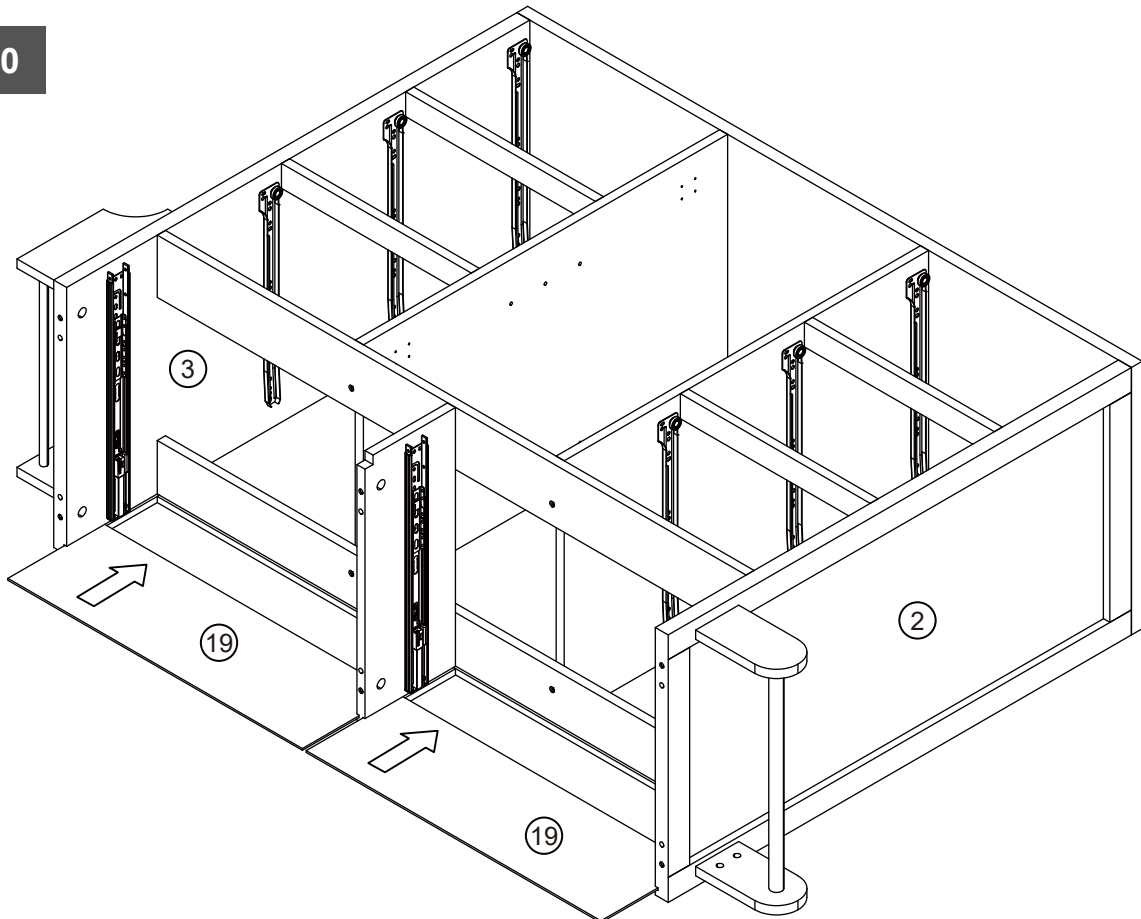
Dowel x 8

(F)



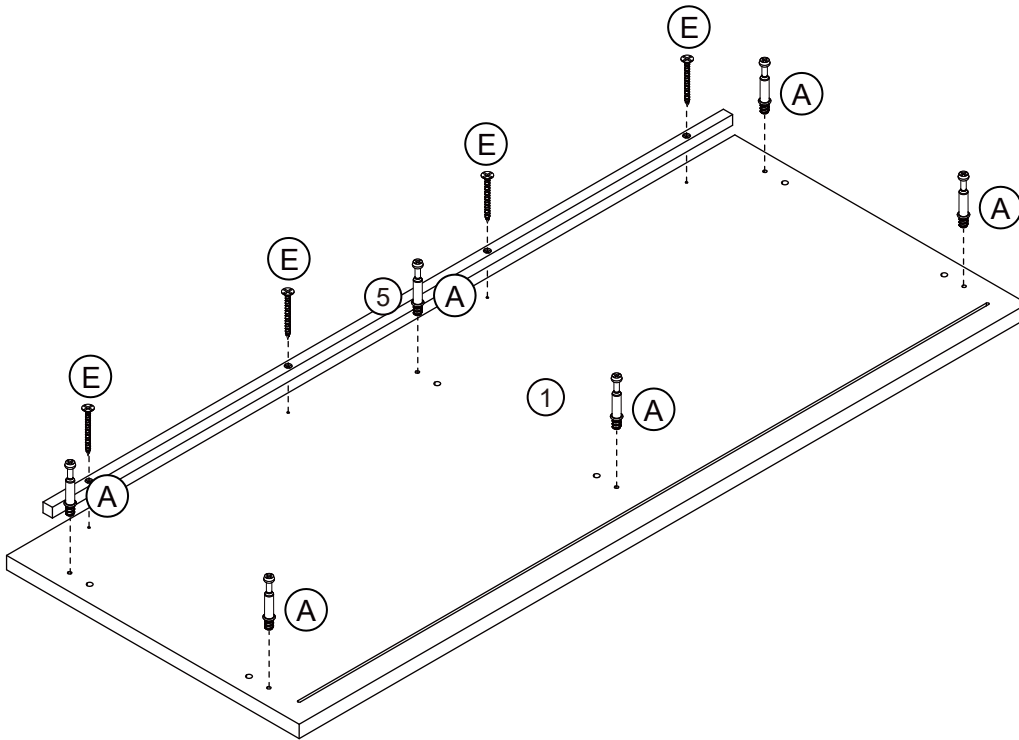
4\*35mm Screw x 8

## Step 20

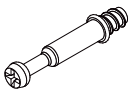


# Assembly Instructions

## Step 21



(A)



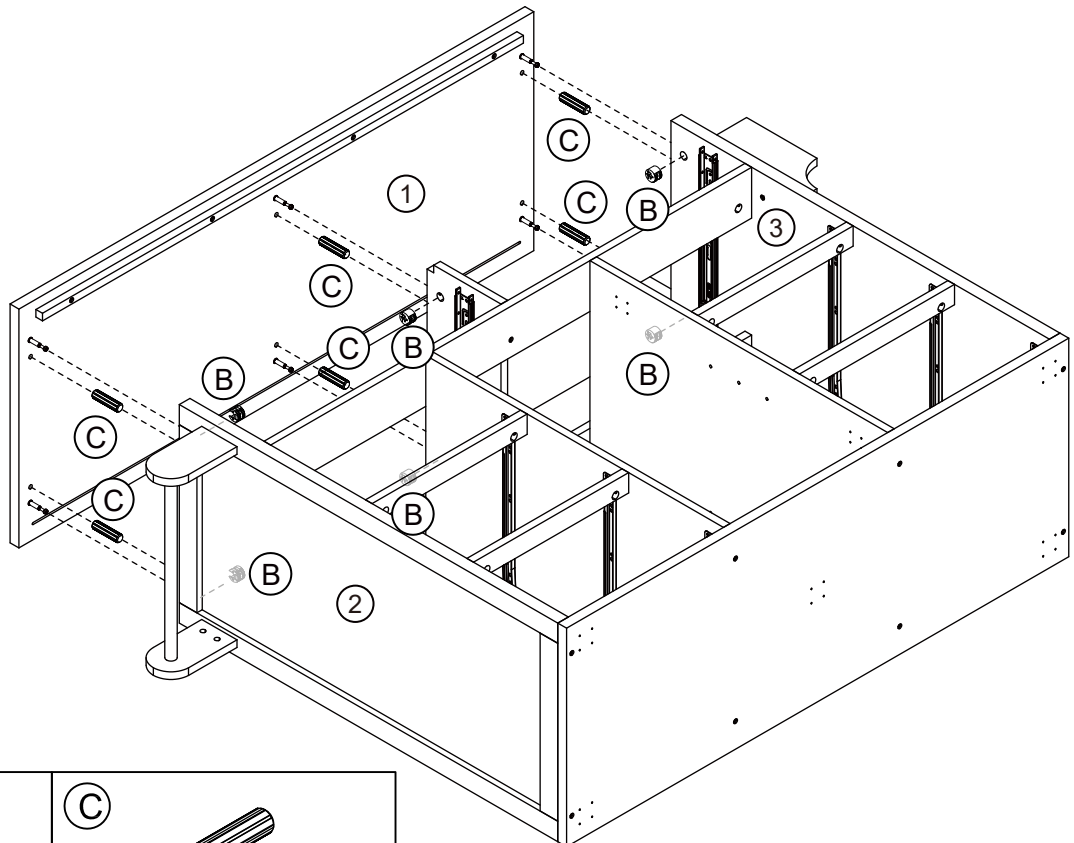
Cam Bolt x 6

(E)



4\*25mm Screw x 4

## Step 22



(B)



Cam lock x 6

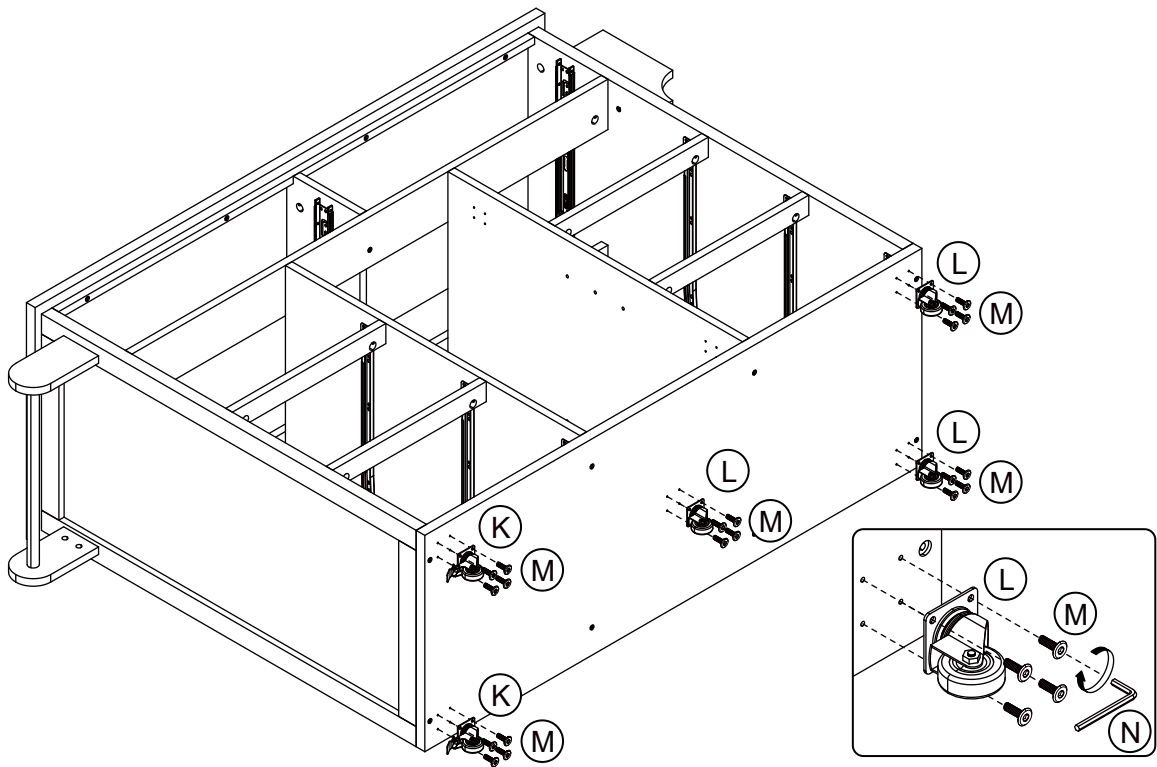
(C)



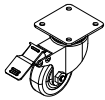
Dowel x 6

# Assembly Instructions

## Step 23

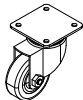


(K)



Locking caster x 2

(L)



Caster x 3

(M)



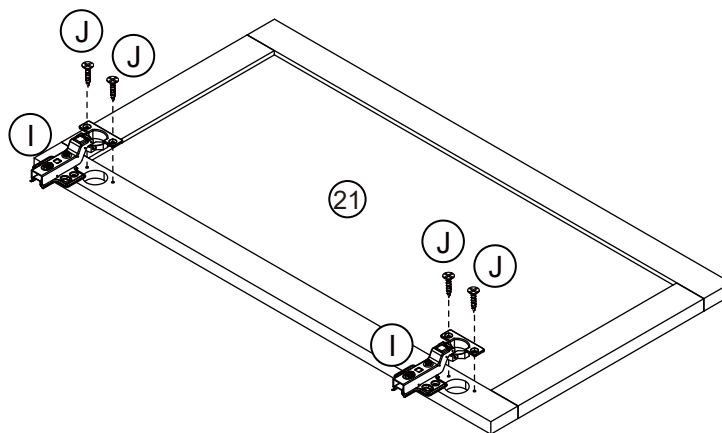
6\*14mm Screw x 20

(N)

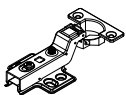


Allen key x 1

## Step 24



(I)



Hinge x 2

(J)

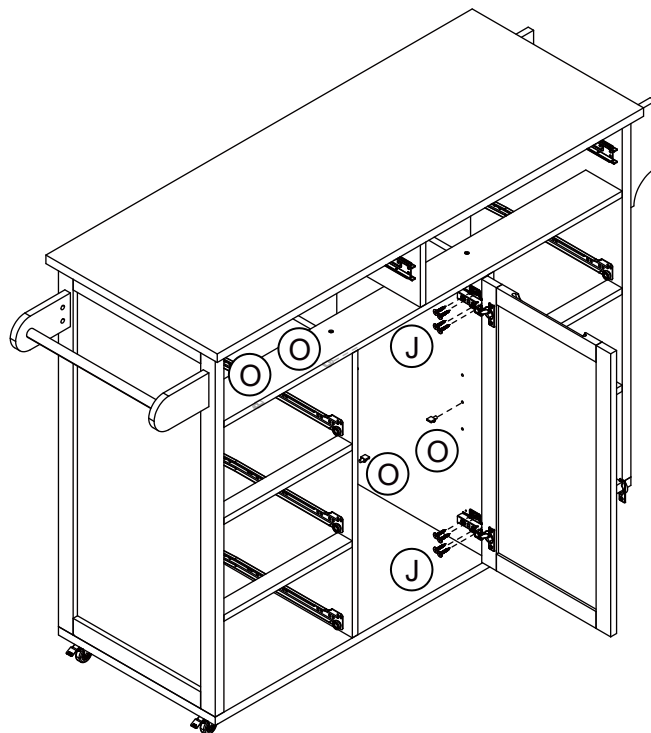


3.5\*12mm Screw x 4



# Assembly Instructions

## Step 25



J



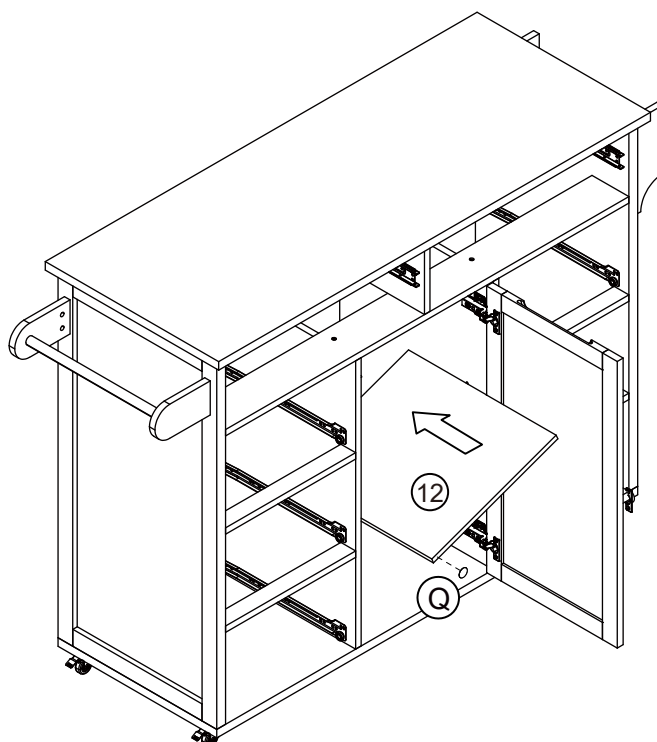
3.5\*12mm Screw x 8

O



Shelf support pin x 4

## Step 26



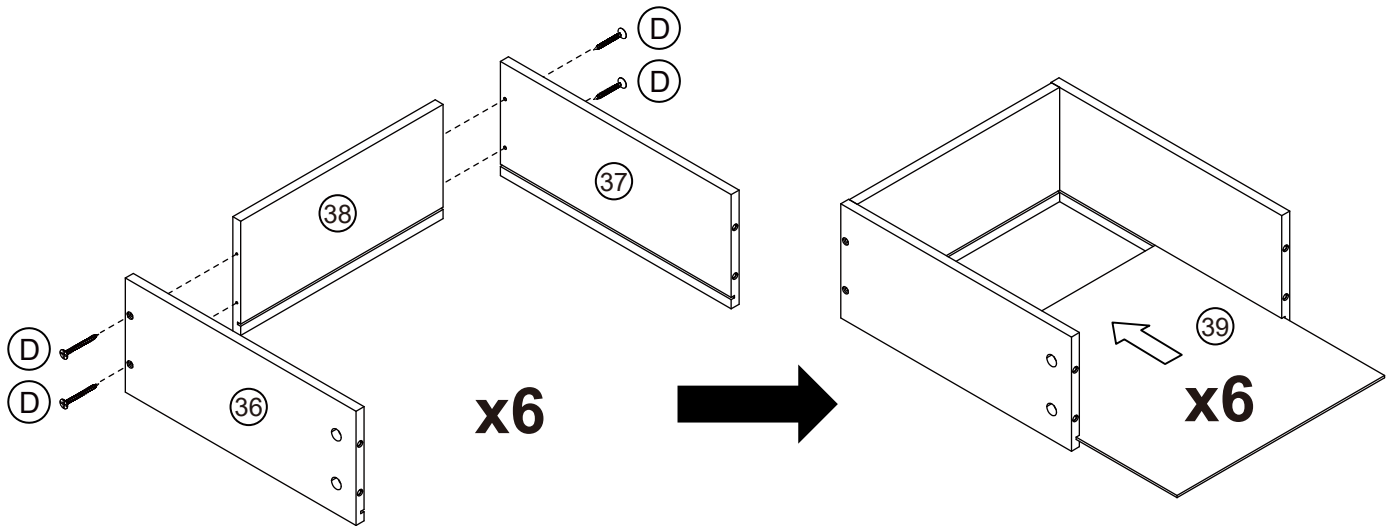
Q



Colloidal particles x 1

# Assembly Instructions

## Step 27

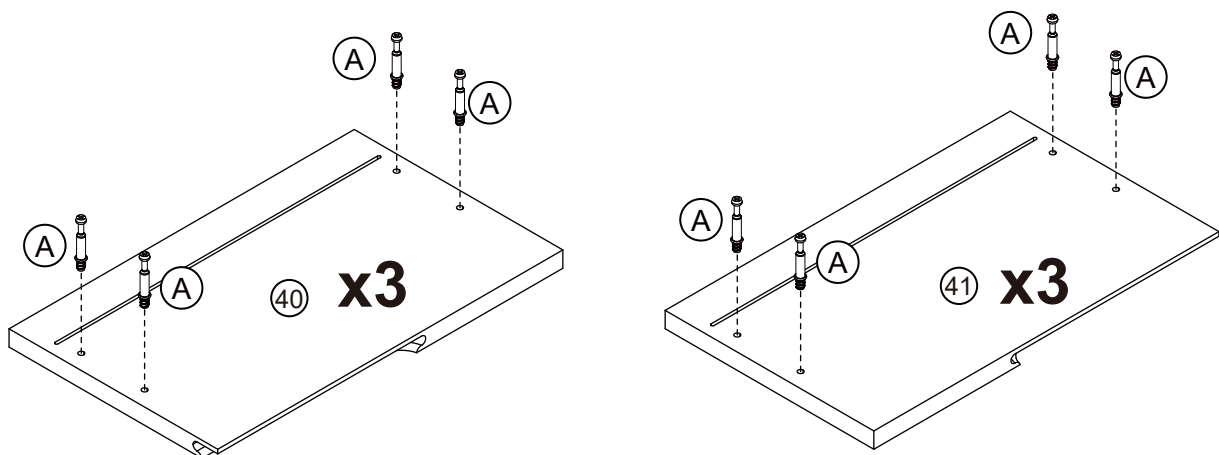


(D)

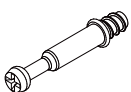


4\*30mm Screw x 24

## Step 28



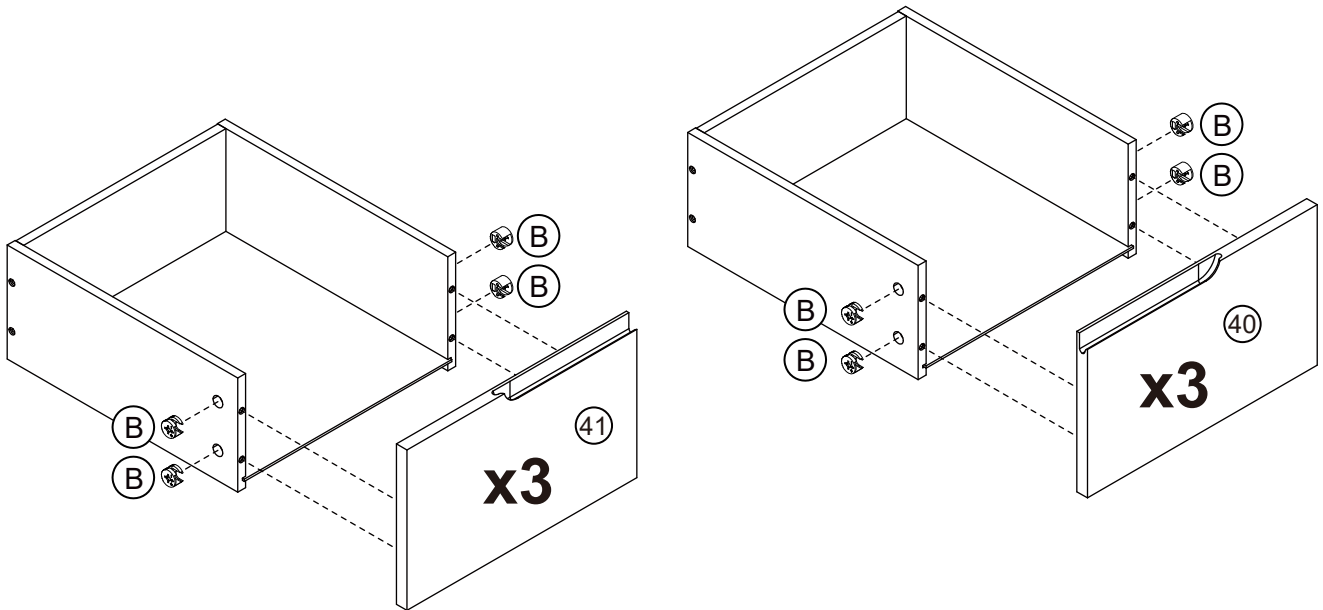
(A)



Cam Bolt x 24

# Assembly Instructions

## Step 29

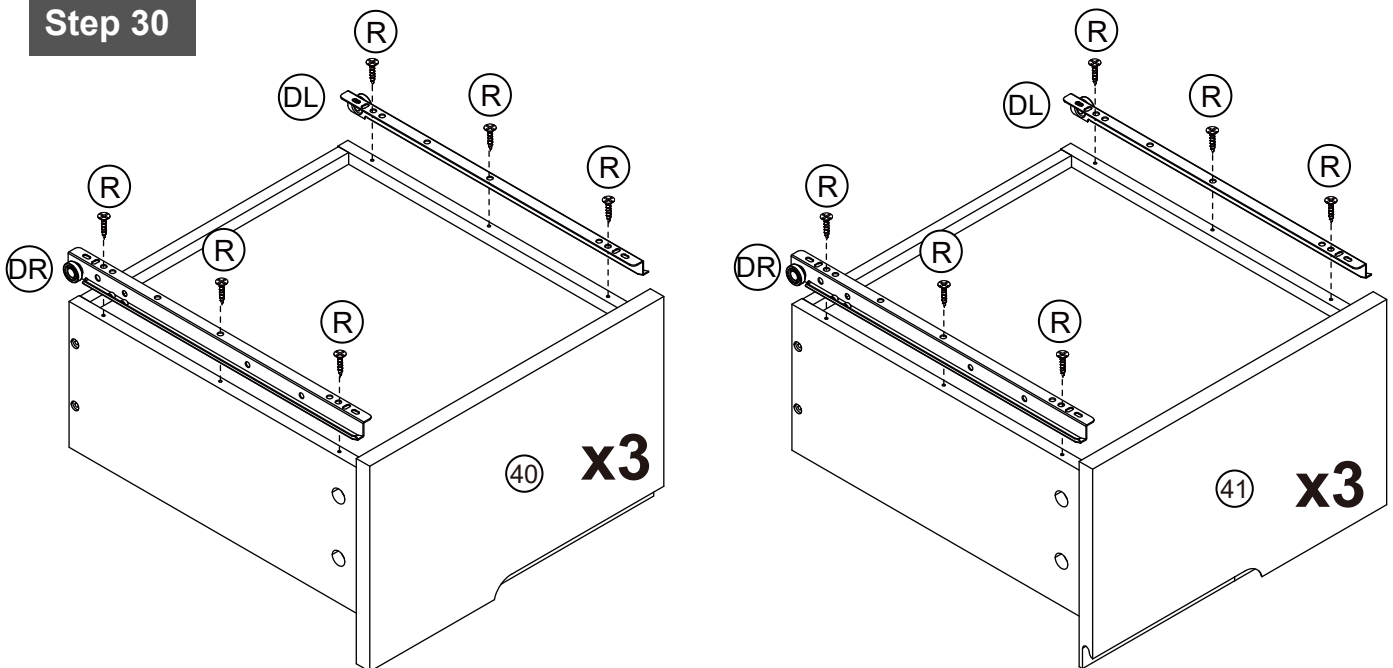


(B)



Cam lock x 24

## Step 30



(R)



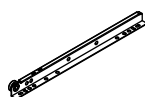
3\*12mm Screw x 36

(DL)



350mm runner x 6

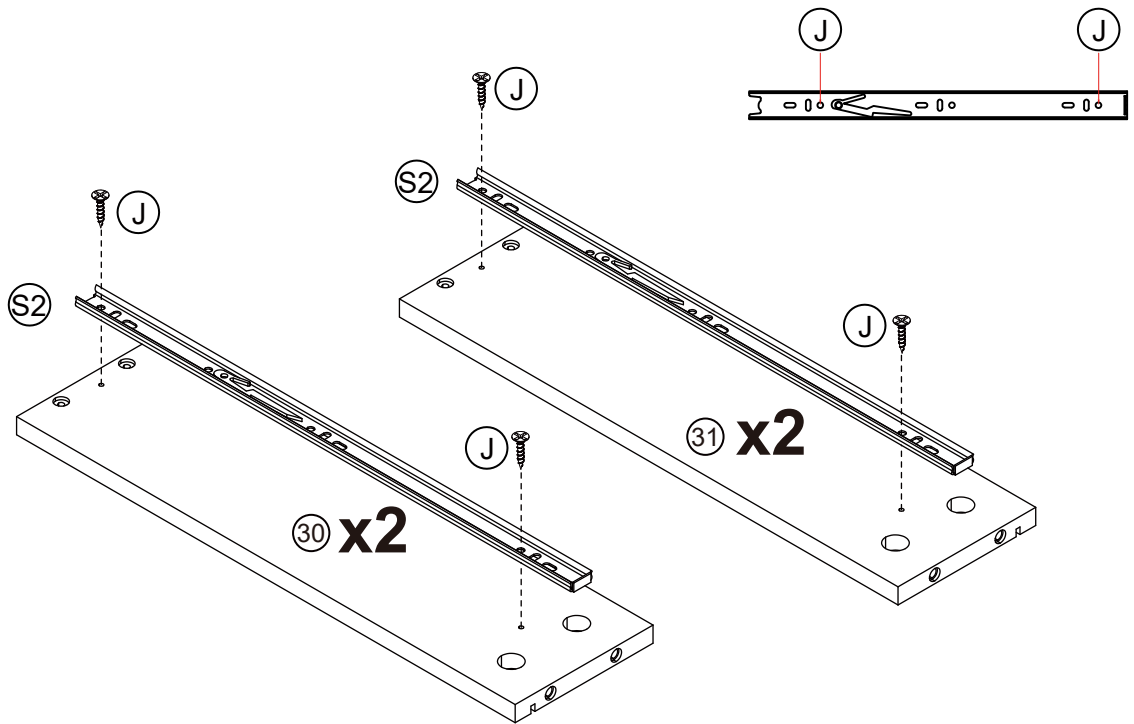
(DR)



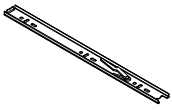
350mm runner x 6

# Assembly Instructions

## Step 31



S2



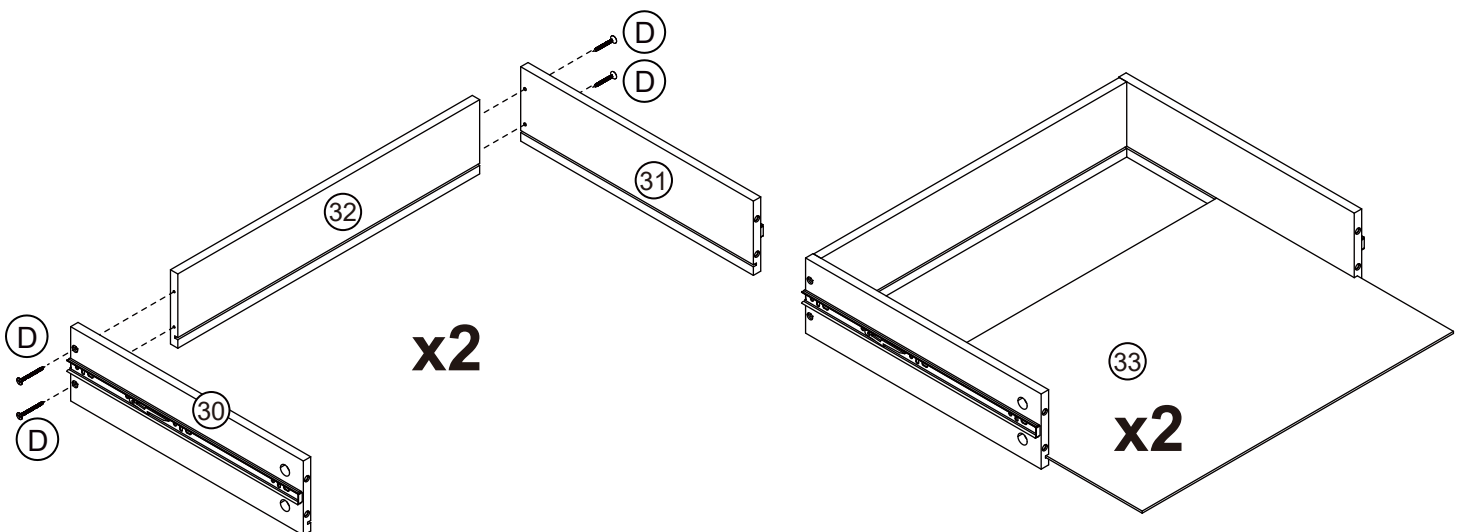
380mm Drawer slide x 4

J



3.5\*12mm Screw x 8

## Step 32



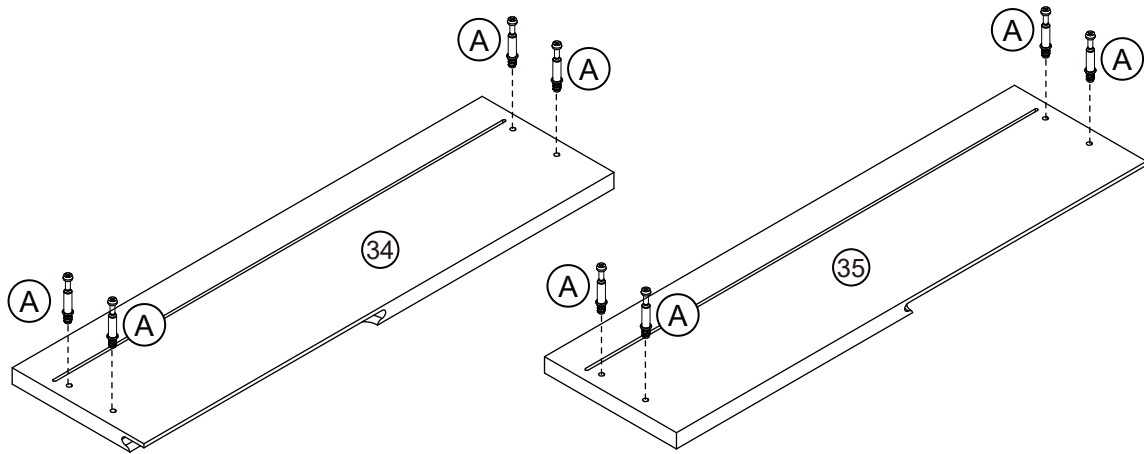
D



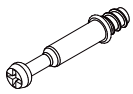
4\*30mm Screw x 8

# Assembly Instructions

## Step 33

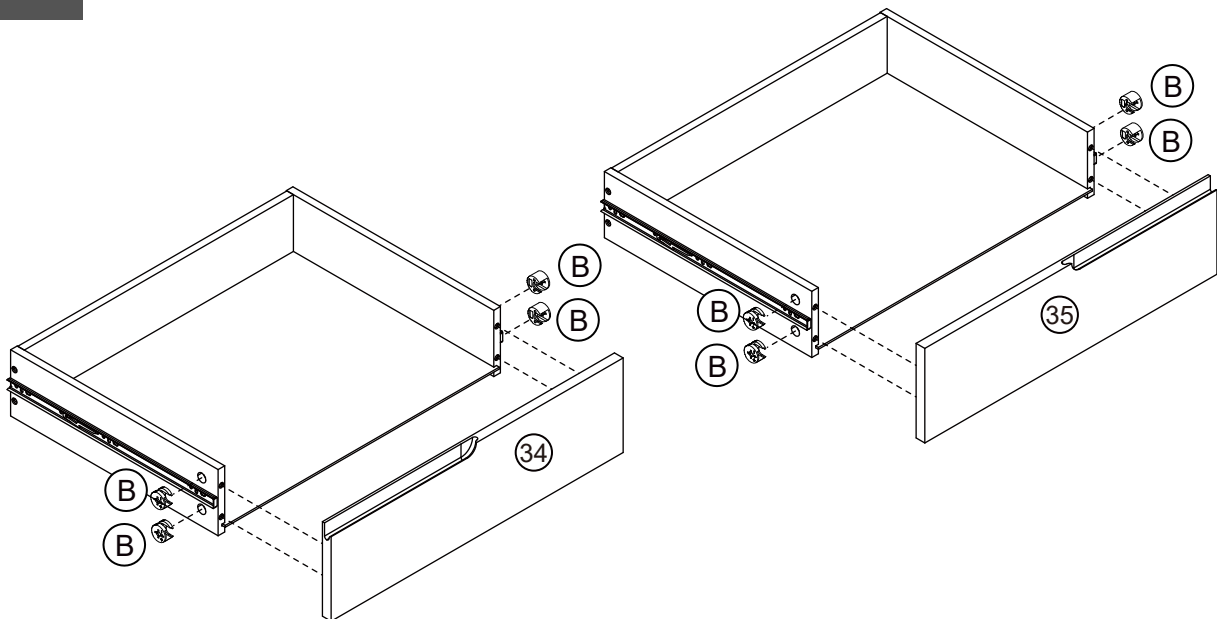


A



Cam Bolt x 8

## Step 34



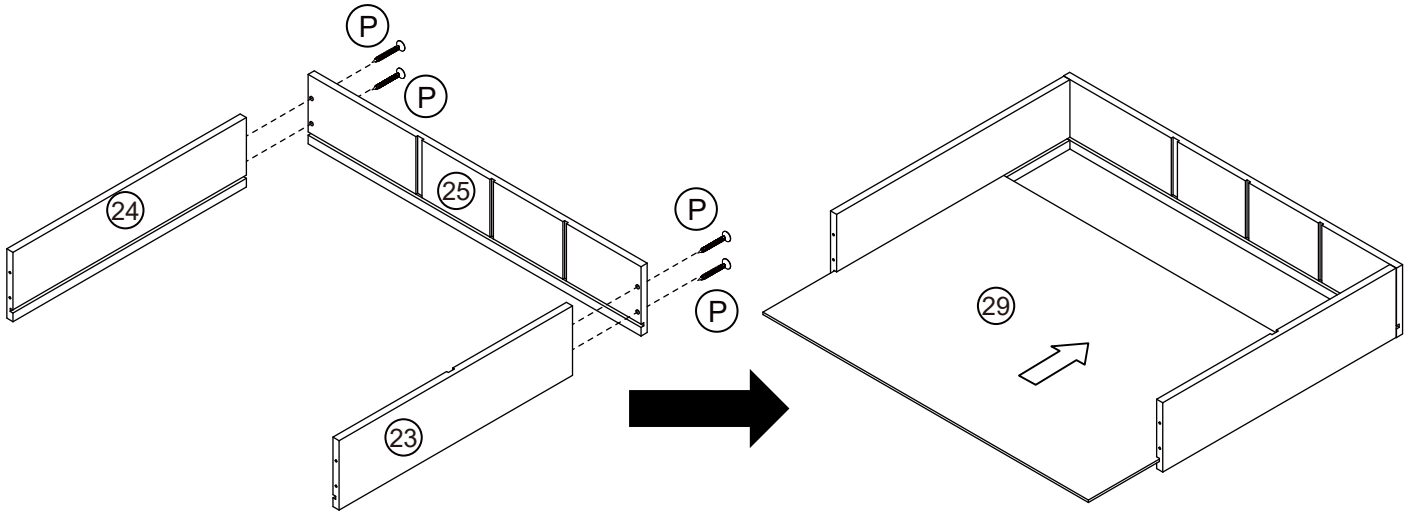
B



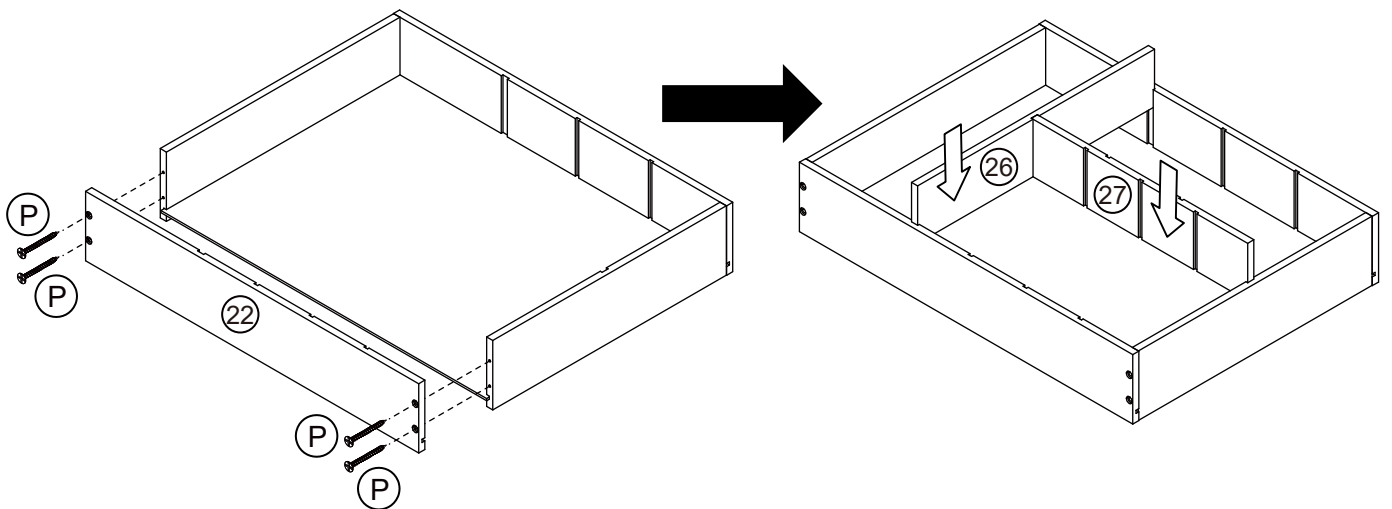
Cam lock x 8

# Assembly Instructions

## Step 35

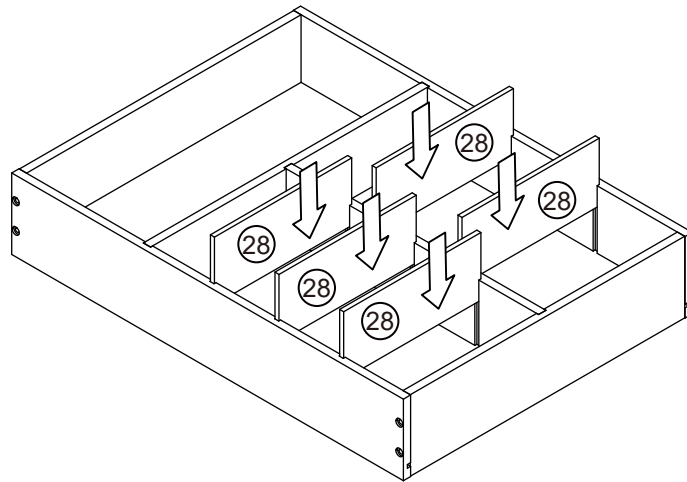


## Step 36

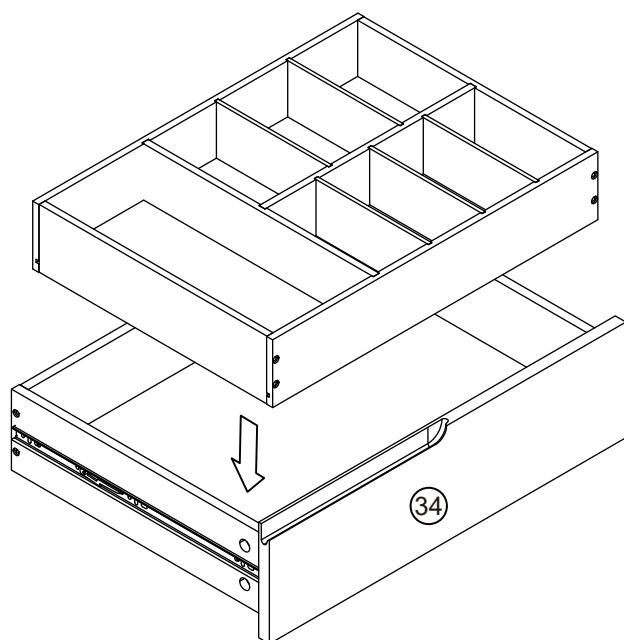


# Assembly Instructions

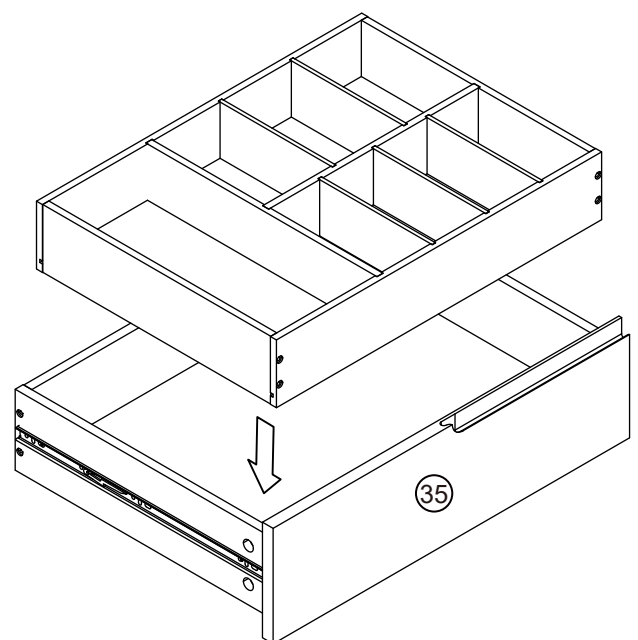
## Step 37



## Step 38

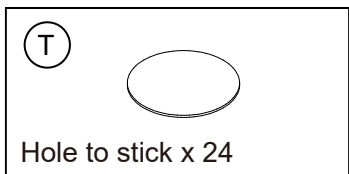
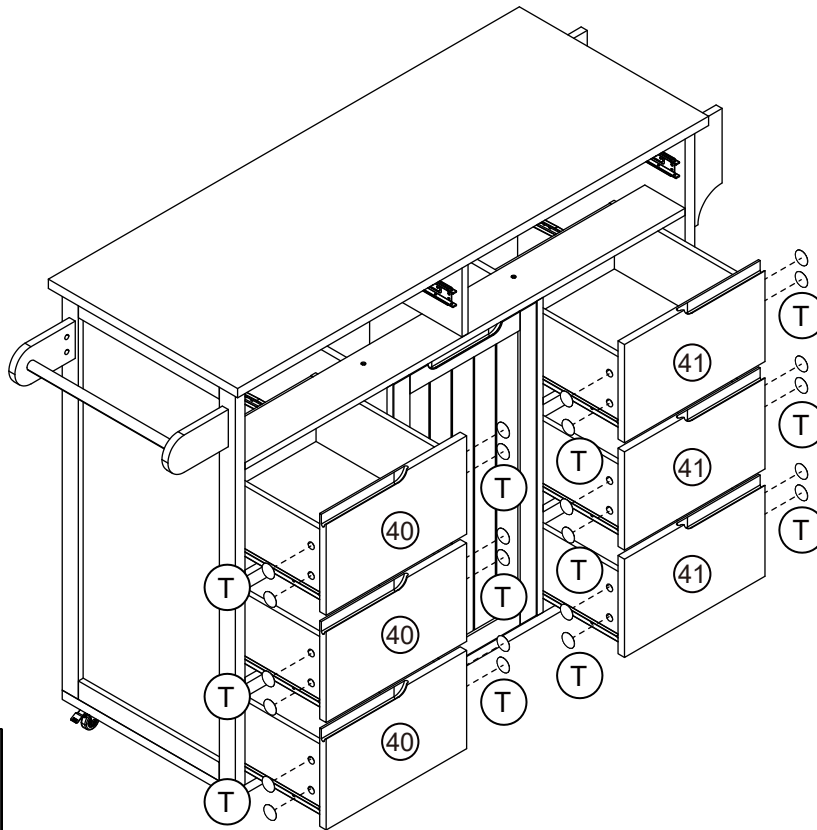


OR



# Assembly Instructions

## Step 39



## Step 40

