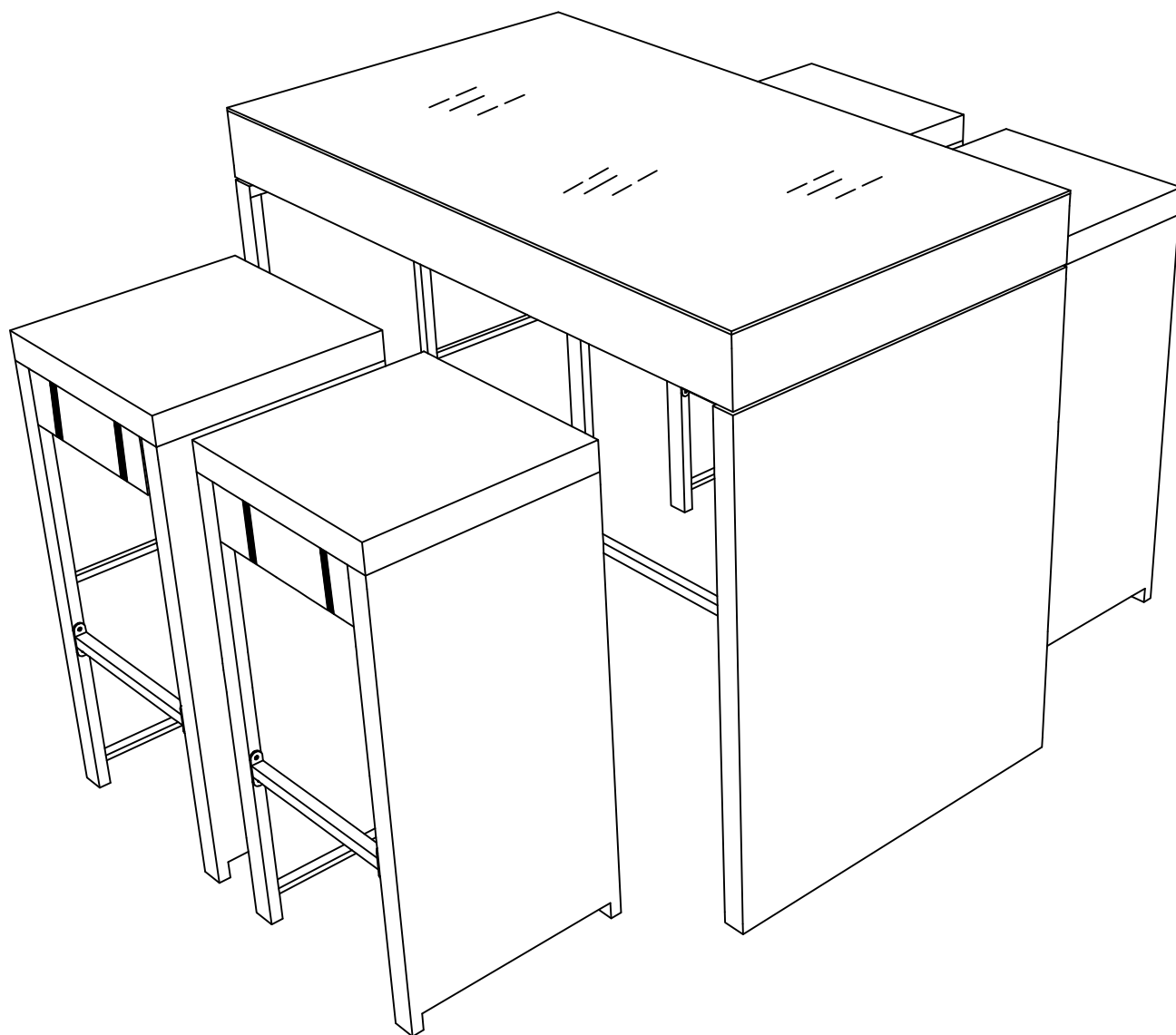


# ASSEMBLY INSTRUCTION

## BAR SET



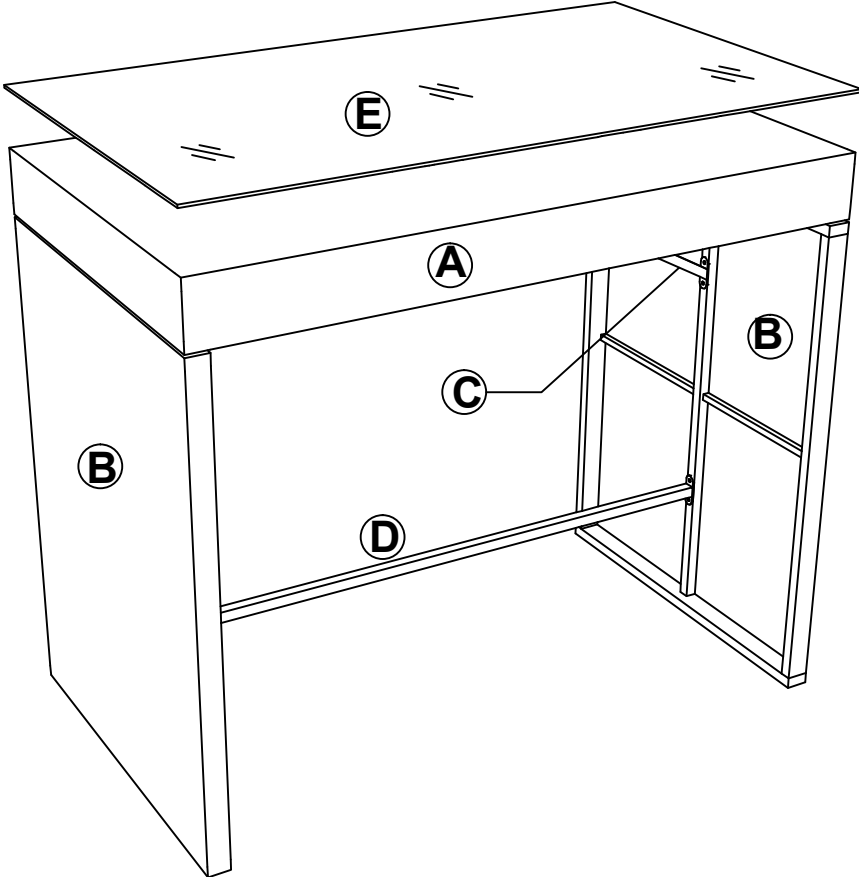
**WF285860**

**WF285861**

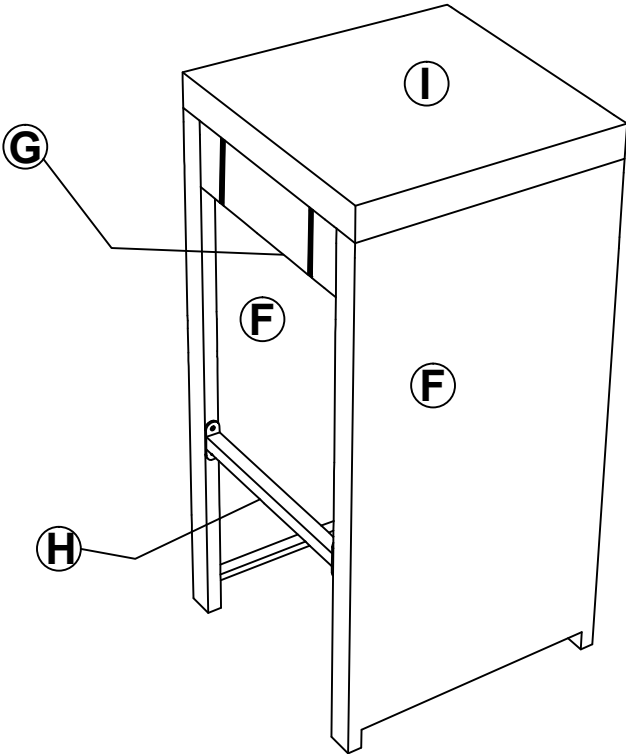
**Notice:**

1. 50% Tighten before fixing all screws, Allen wrench is recommended instead of an electric drill.
2. Place the item on a flat ground to adjust and make sure it remains stable.
3. Tighten up all screws with tools gradually.
4. If the screws are not aligned with holes during assembly, please loosen all the other screws to 50% and continue the assembly process.
5. If the item is not stable, please loosen all the screws, adjust it on a flat ground and tighten up all screws again.
6. Note : If one or some screws are fully tightened during assembly, chances are the others will not be aligned with holes. In addition, all the holes are designed to be relatively larger to provide more space for the adjustment of the screws.

# Exploded View

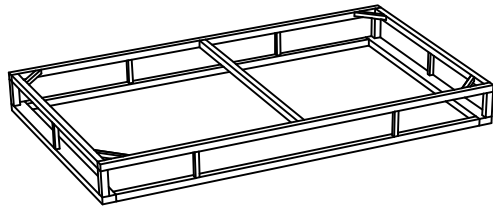


**X1**

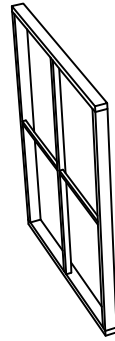


**X4**

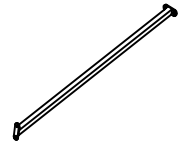
# PART LIST AND HARDWARE LIST



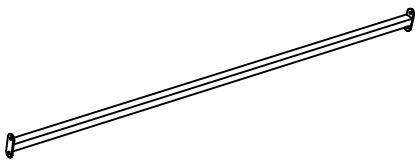
**AX1**



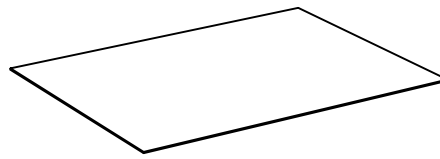
**BX2**



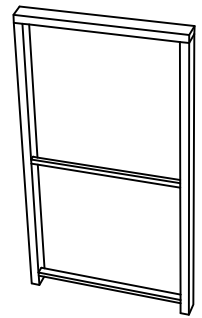
**CX2**



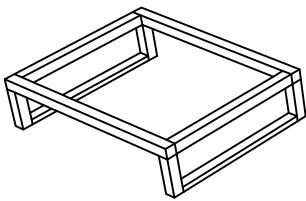
**DX1**



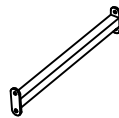
**EX1**



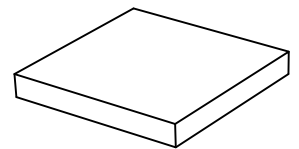
**FX8**



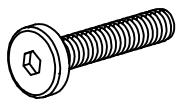
**GX4**



**HX8**



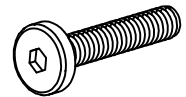
**IX4**



**1- Bolt 6x40 :42**



**2- Washer 6 : 84**



**3- Bolt 6x15 : 40**



**4- Capnut : 2**



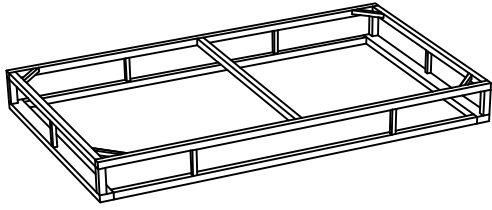
**5- Allen Key**



**6-**

# CARTON CONTENT :

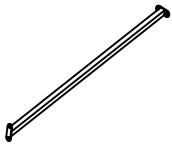
**WF285860 :**



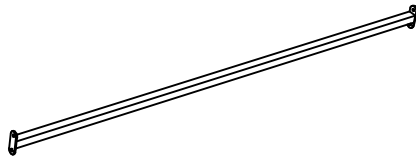
**AX1**



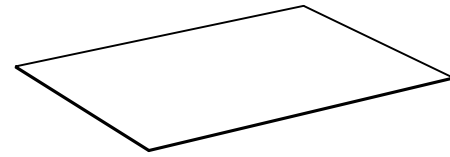
**BX2**



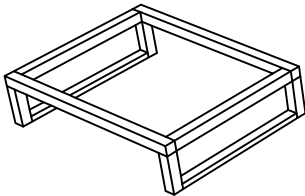
**CX2**



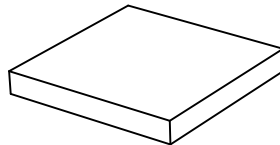
**DX1**



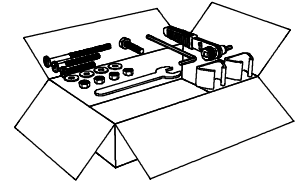
**EX1**



**GX4**



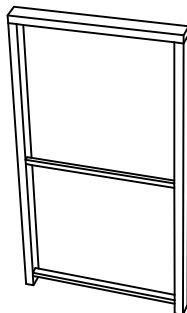
**IX4**



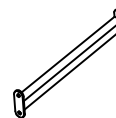
**Hardware**

**AI INCLUDED BOX-WF285860**

**WF285861 :**

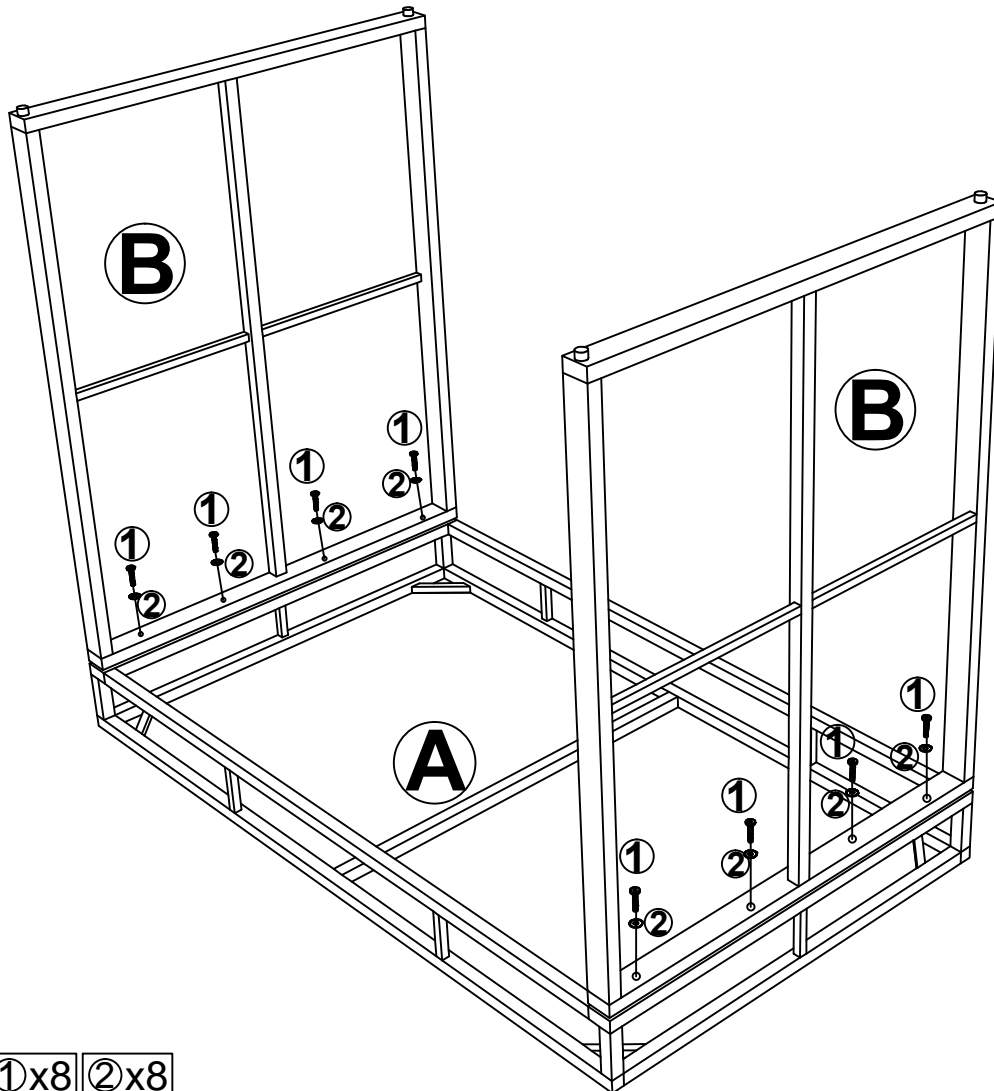
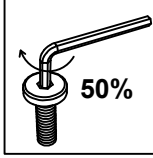


**FX8**



**JX8**

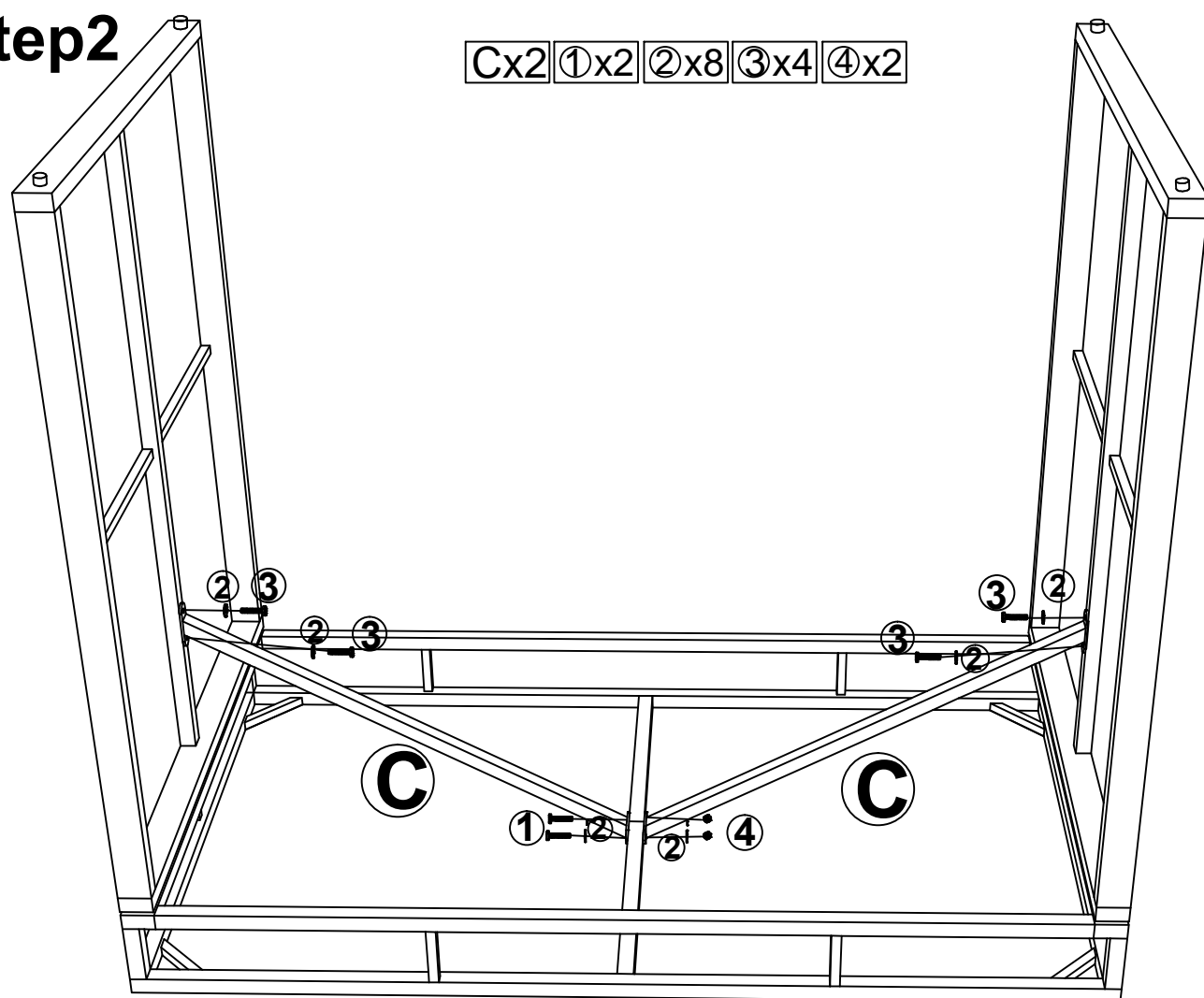
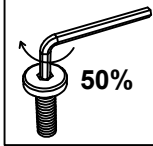
# Step 1



Ax1 Bx2

①x8 ②x8

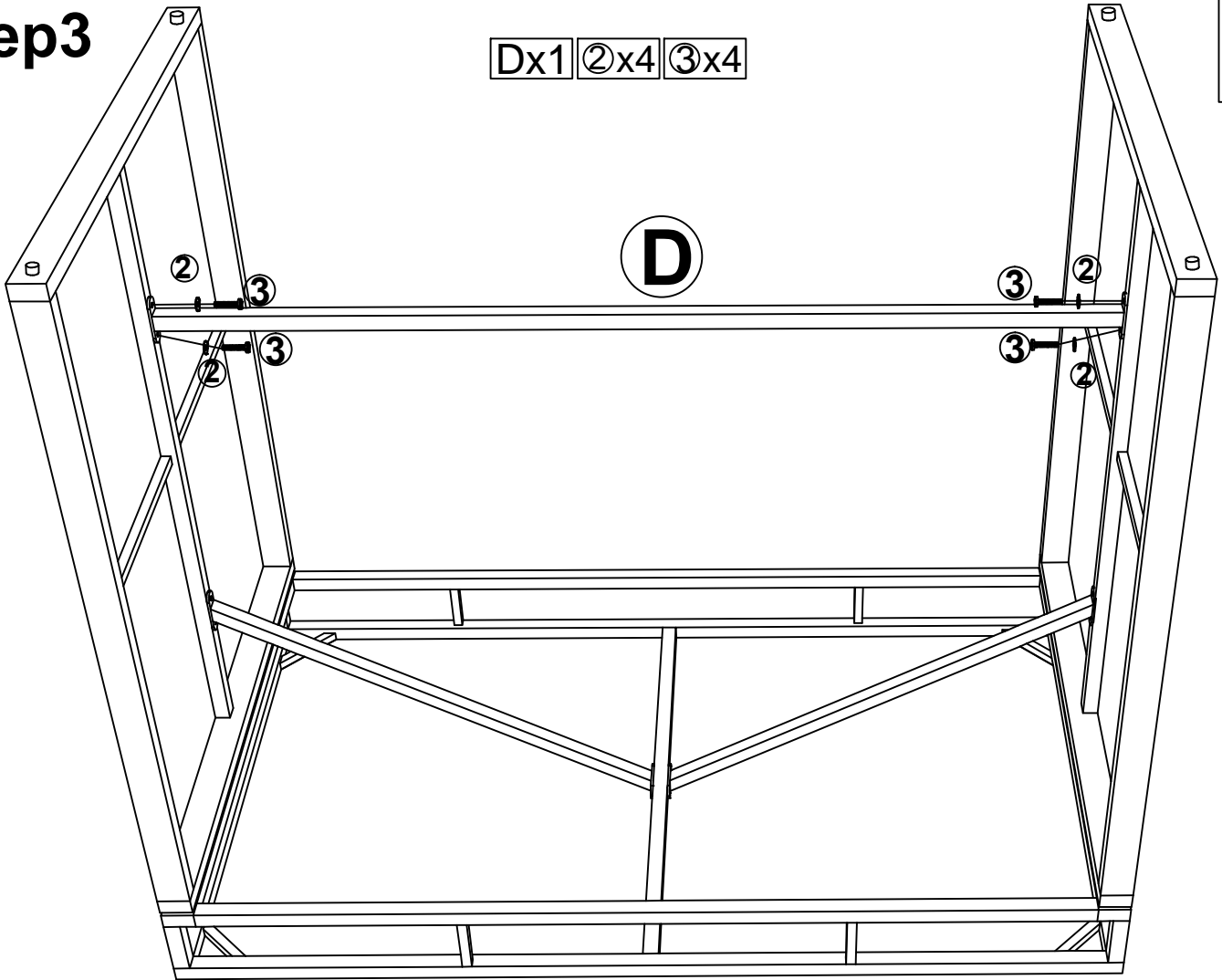
# Step 2



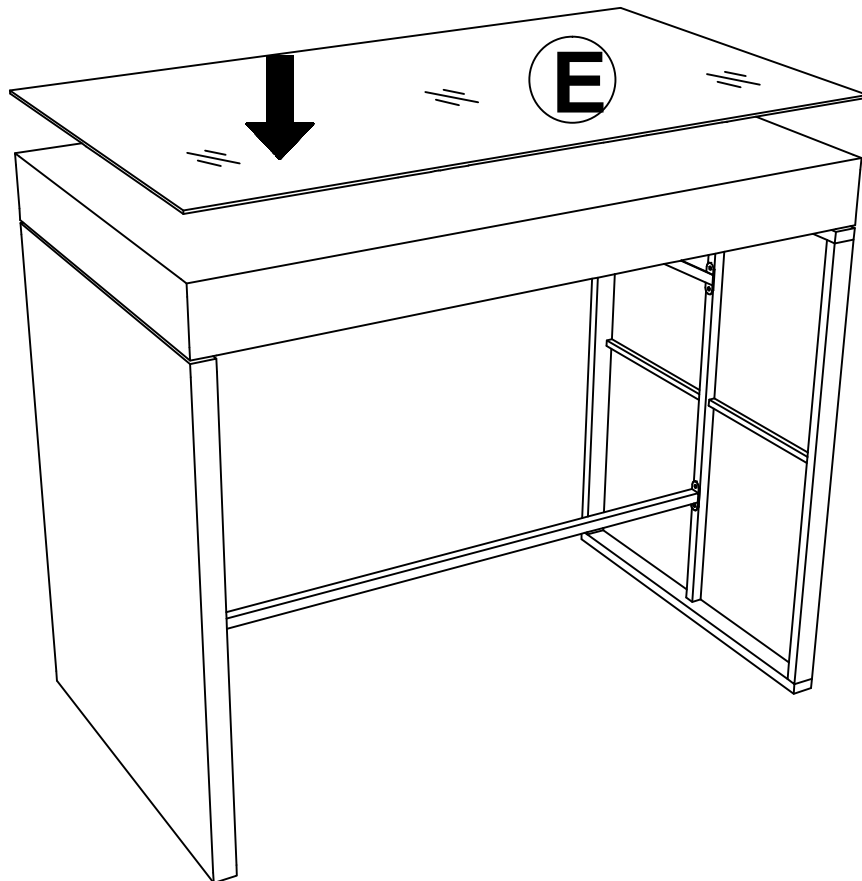
Cx2 ①x2 ②x8 ③x4 ④x2

# Step3

Dx1 ②x4 ③x4

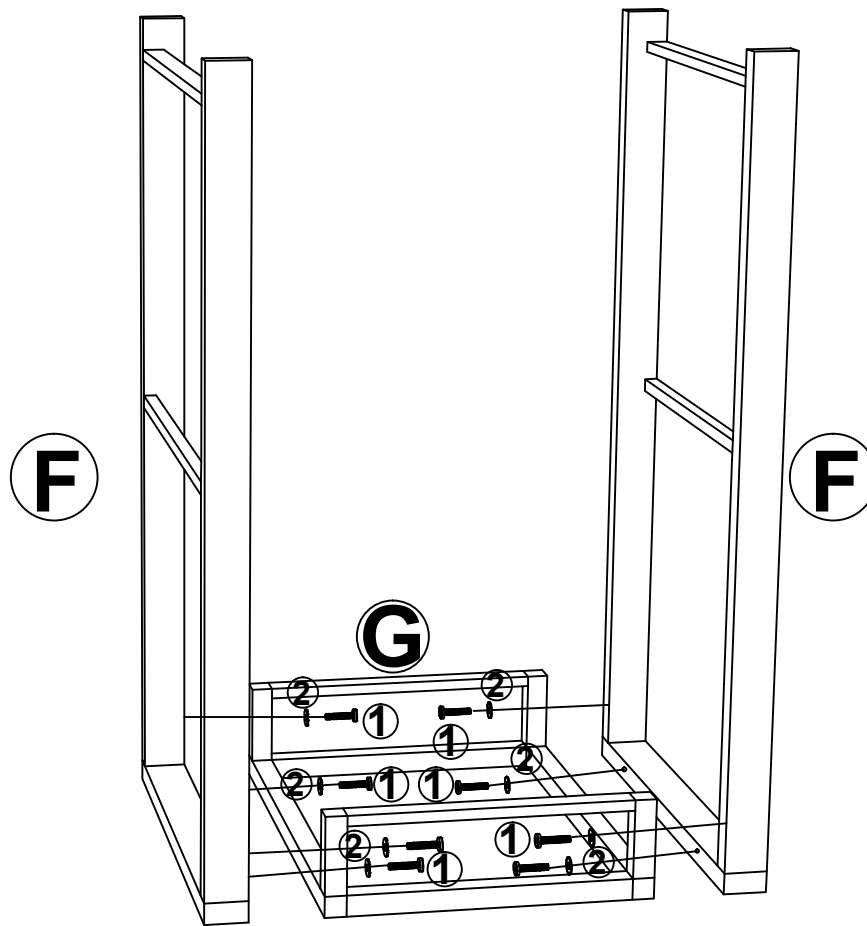


# Step4



Ex1

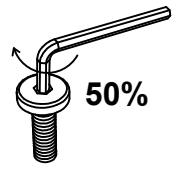
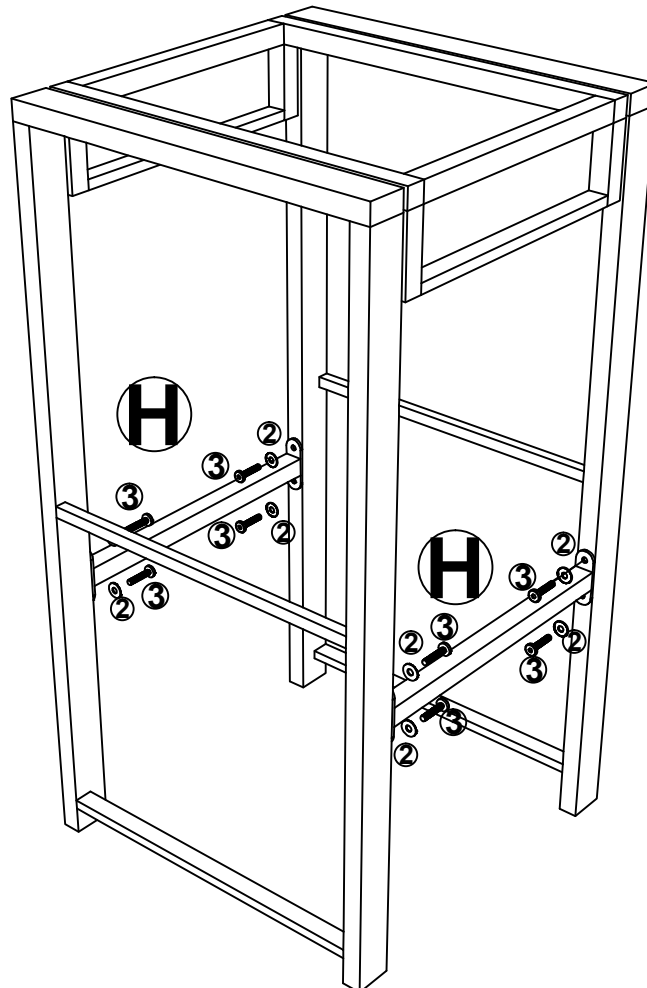
# Step5



**X4**

Gx1 Fx2 ①x8 ②x8

# Step6



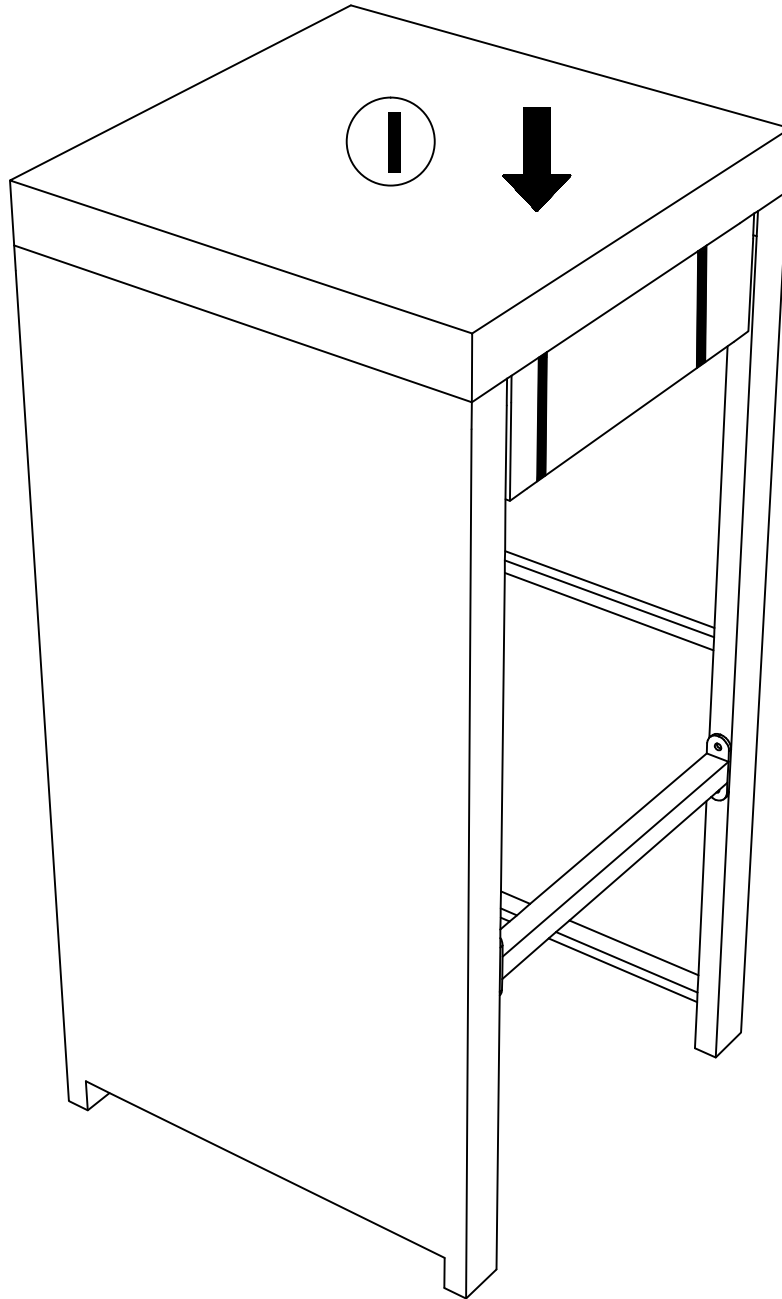
**X4**

Hx2 ②x8 ③x8

# Step7



**X4**



Ix1