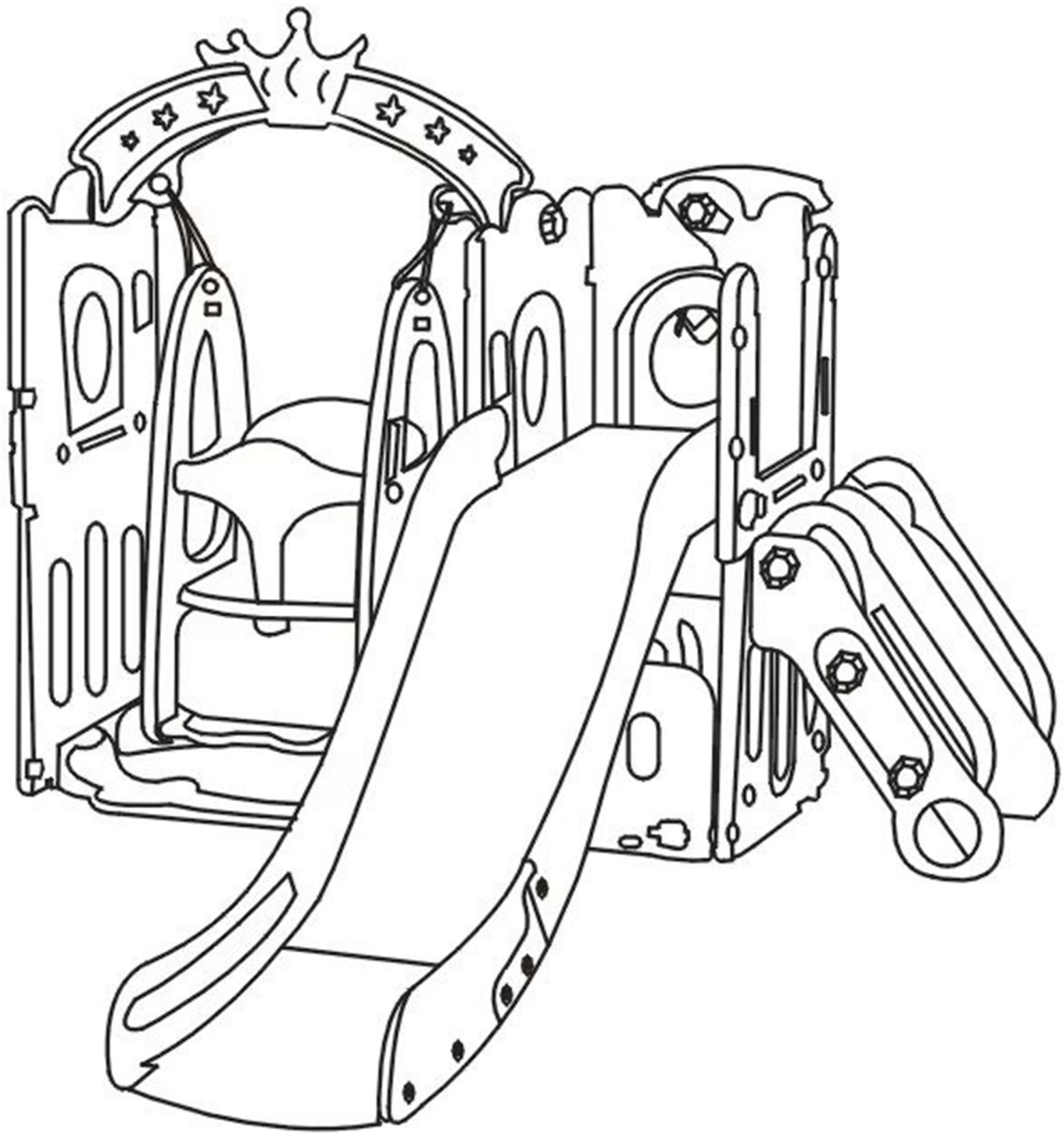
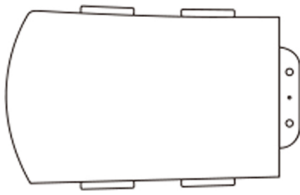


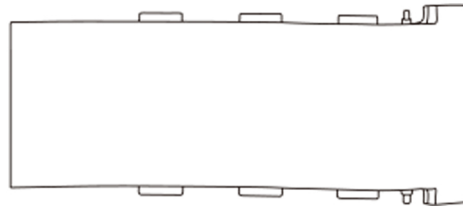
Slide with Swing



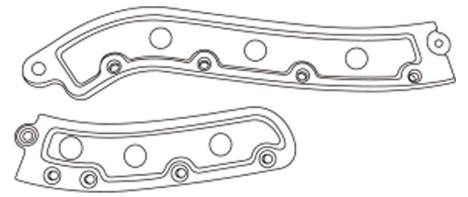
PART LIST



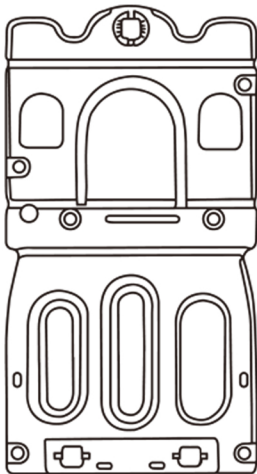
A×1



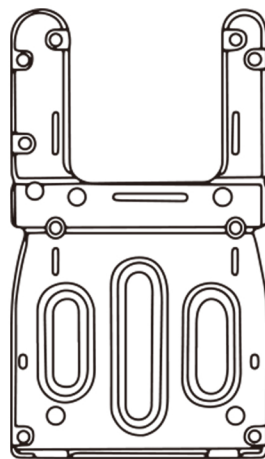
B×1



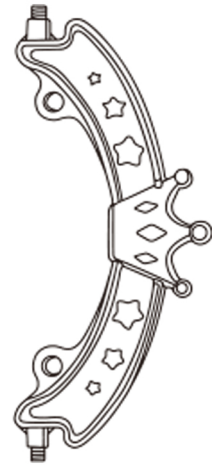
C1×2 C2×2



D×2



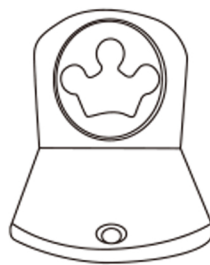
E×1



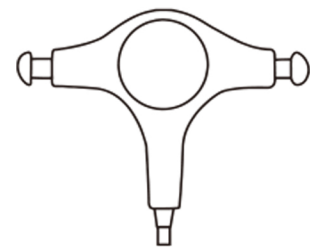
F×1



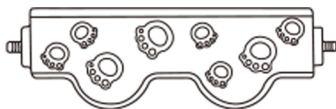
G×2



H×1



I×1



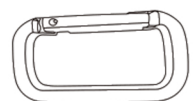
J×1



K×2

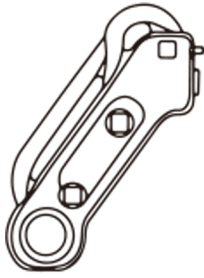


L×2



M×2

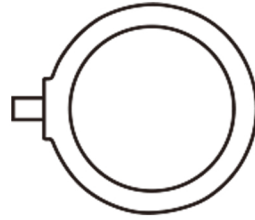
PART LIST



N×2



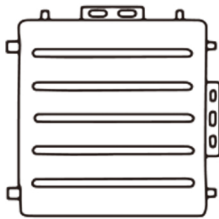
O×3



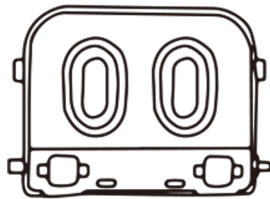
P×1



Q×1



R×1



S×2



T×1



Screwdriver X 1



a×1



b×13



c×16



d×2



e×2



f×2



g×22

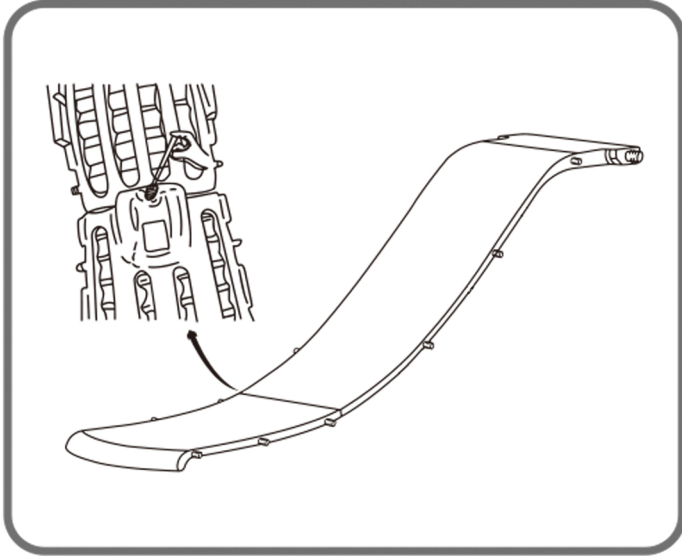


h×1



i×2

ASSEMBLY

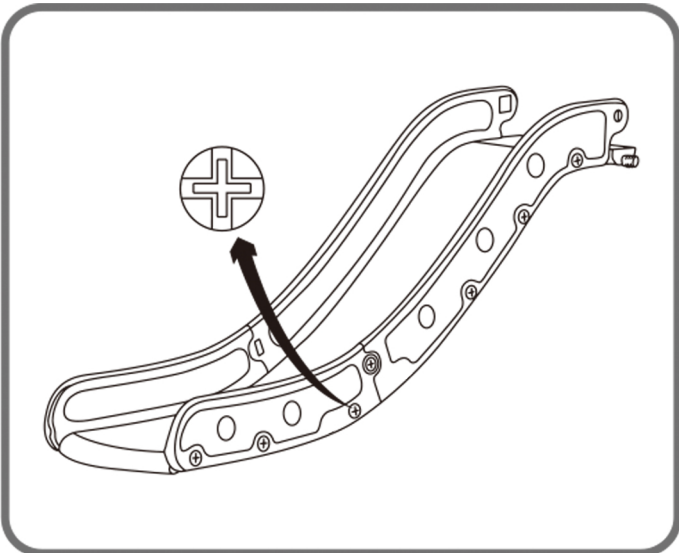
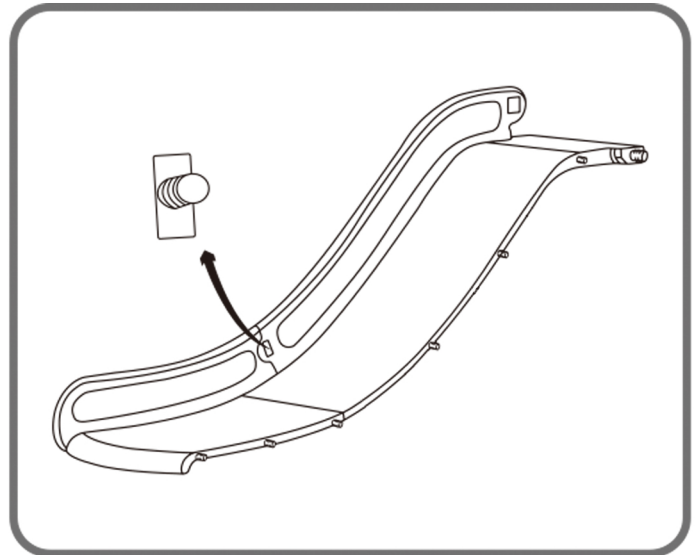


Step 1

Connect the Slide Extension(#A) to Slide(#B), secure with 1 Screw a.

Step 2

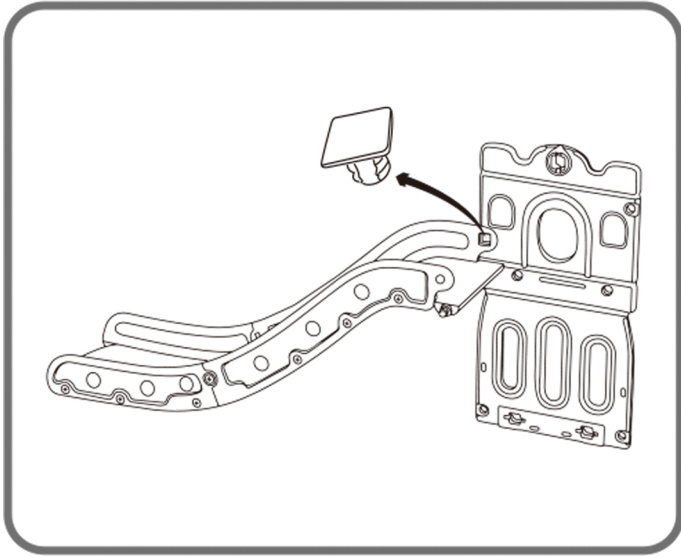
Connect the Handrail(#C1+C2) together, secure with 1 Screw e and 1 Screw g. Then attach the left side handrail, secure with 6 Screw g.



Step 3

Connect the Handrail(#C1+#C2) together, secure with 1 Screw e and 1 Screw g. Then attach the right side handrail, secure with 6 Screw g.

ASSEMBLY

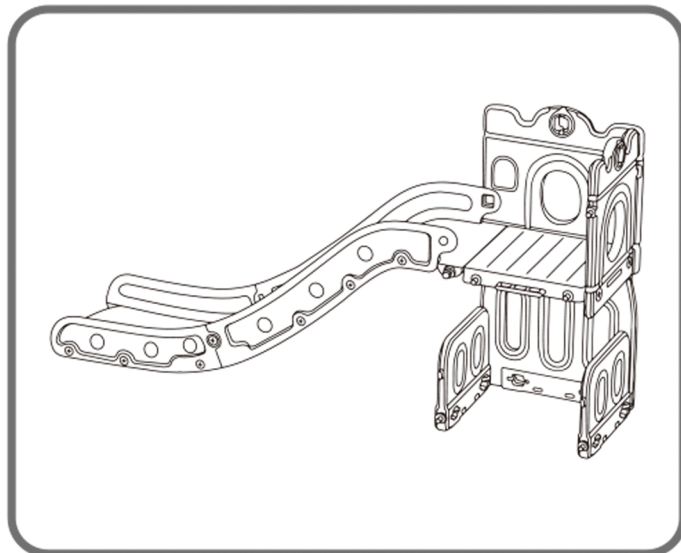
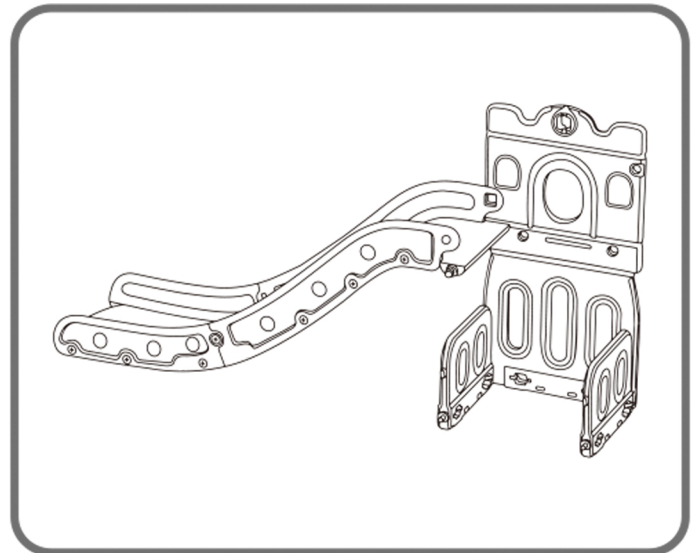


Step 4

Connect the slide to the Side Panel(#D), secure with 1 Screw c, 1 Screw d, 1 Screw f.

Step 5

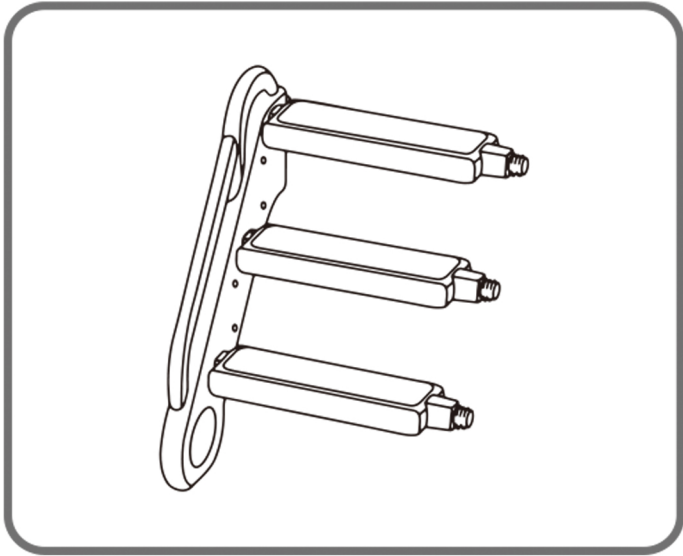
Attach the 2 Panel S to Side Panel(#D) as shown, secure with 2 Screw c.



Step 6

Connect the Platform Panel(#T) and Platform(#R) to Side Panel(#D), secure with 5 Screw c.

ASSEMBLY

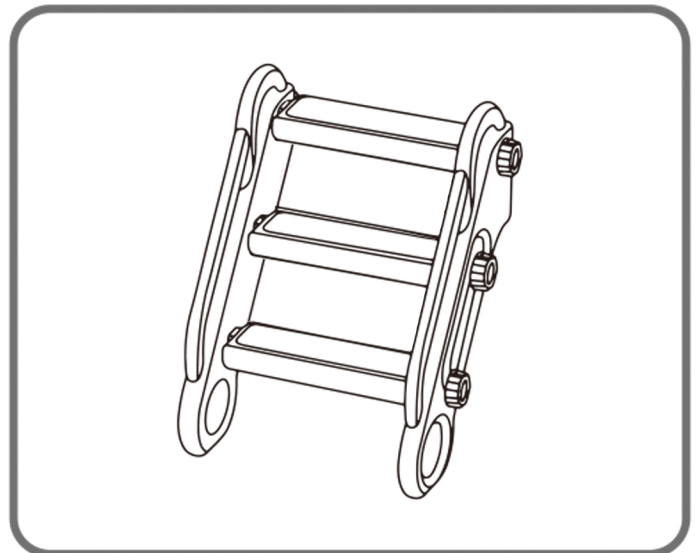


Step 7

Connect the 3 O to the N, secure with 3 Screw b.

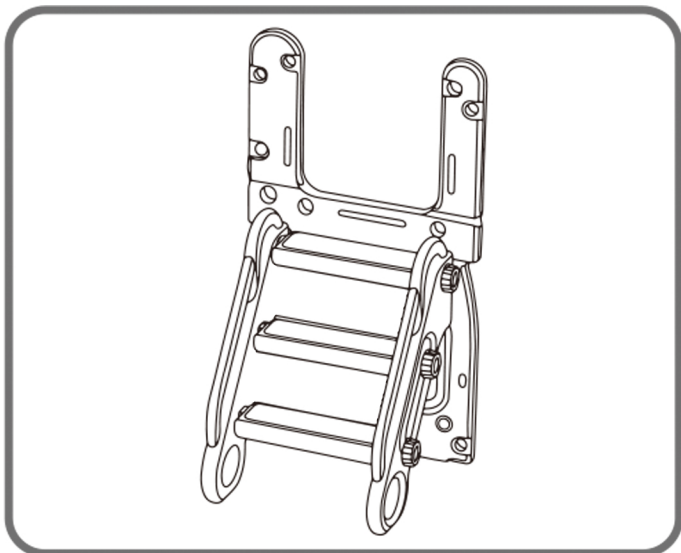
Step 8

The same as Step 7

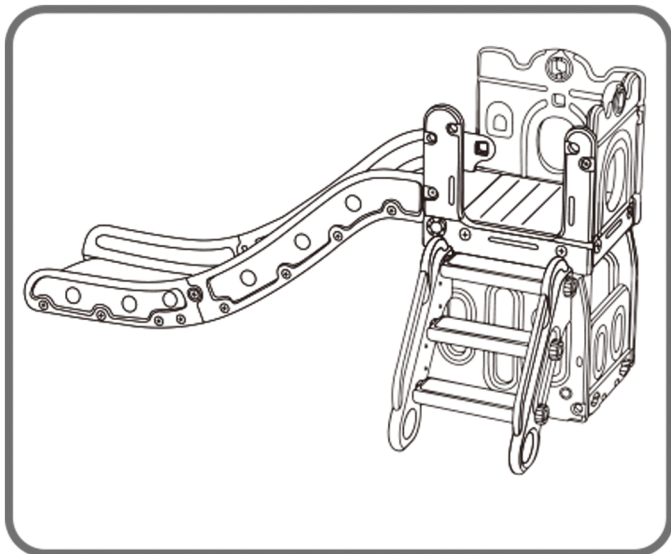


Step 9

Connect the Step 8 assembled parts to the Side Panel(#E) , secure with 2 Screw c.



ASSEMBLY

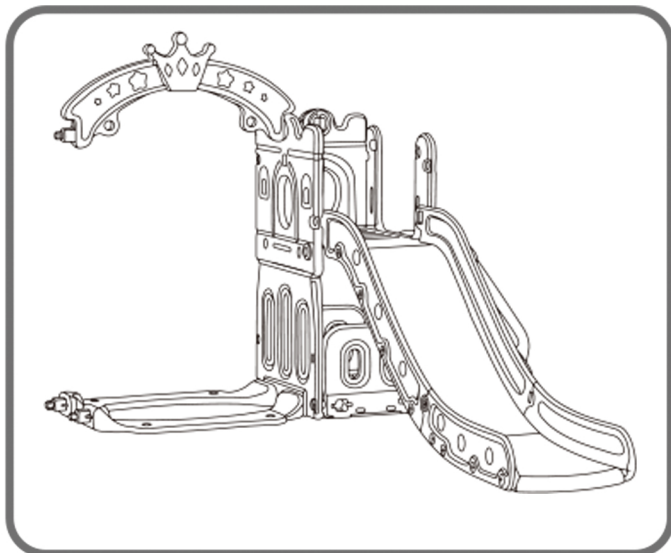
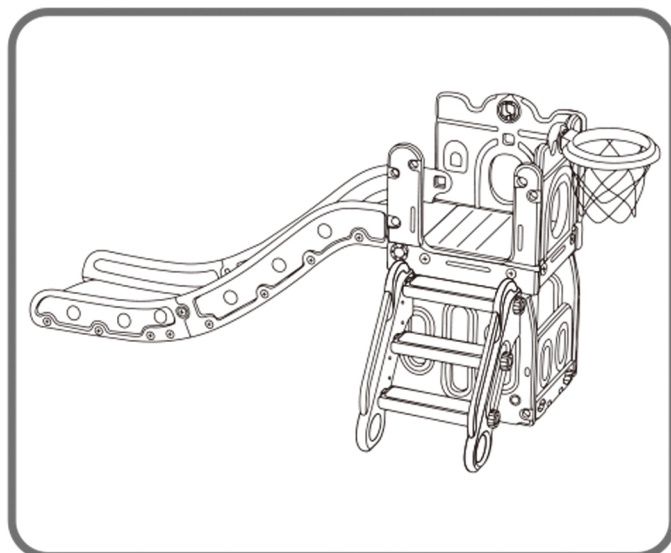


Step 10

Attach the Step 9 assembled parts to the other side of the Slide, secure with 6 Screw c, 1 Screw d, 1 Screw f.

Step 11

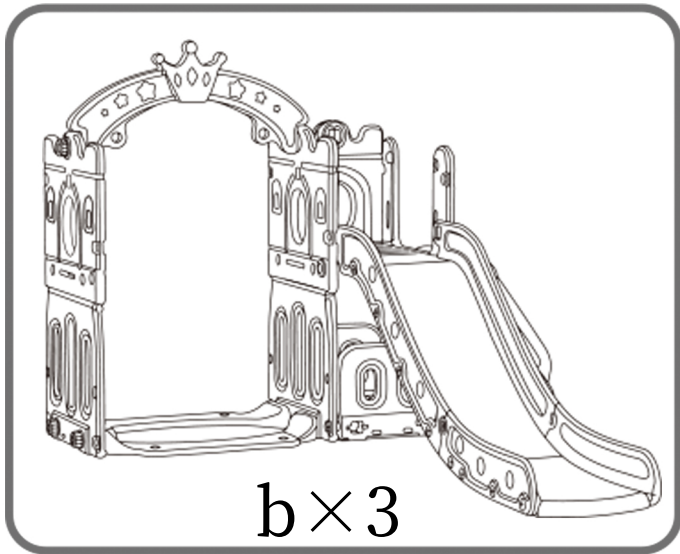
Connect the Basketball Ring to the Platform Panel(#T), secure with 1 Screw b.



Step 12

Connect the Crown(#F) and Swing Base (#G) to the other side of Side Panel(#D), secure with 3 Screw b.

ASSEMBLY

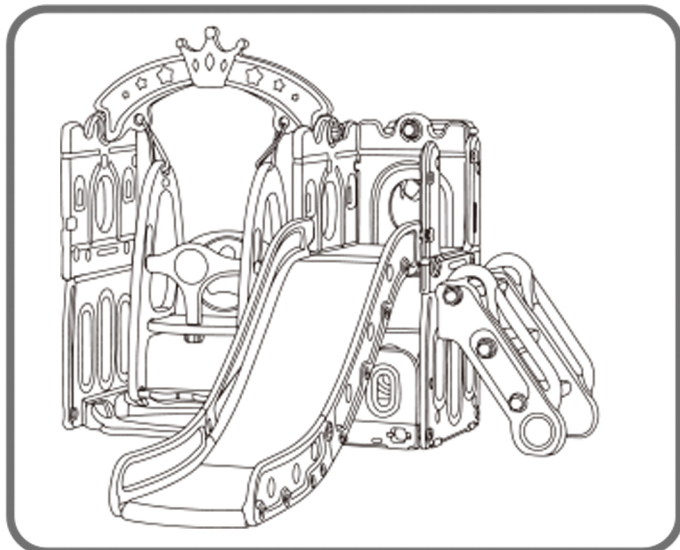
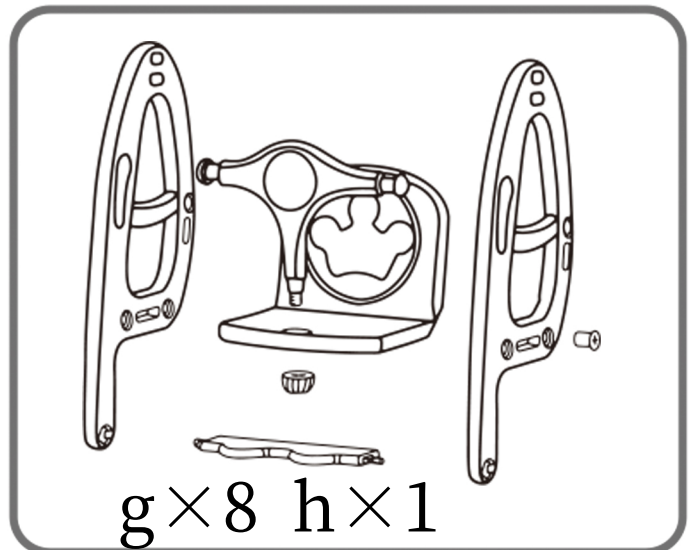


Step 13

Connect the Step 12 assembled parts to the other Side Panel(#D), secure with 3 Screw b.

Step 14

Connect the Swing Armrest(#I), Swing Seat(#H), Swing Pedal(#J) to the 2 Swing Arm(#K), secure with 8 Screw g, 1 Screw h.



Step 13

Connect the Swing Arm(#K) to the Crown(#F), secure with 2 Buckle(#M) and 2 Connecting Belt(#L).

To increase the stability of the swing set, add water to the swing base and cover with 2pcs Plug i.