

Slide & Swing Set

USER MANUAL



READ AND SAVE THIS INSTRUCTION FOR FUTURE USE

SAFETY & WARNINGS

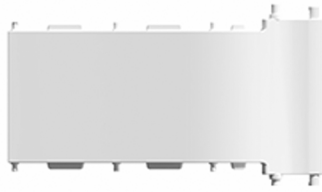
ADULT ASSEMBLY REQUIRED.

- Keep these instructions for future reference.
- This product is intended for indoor, outdoor, family, domestic use only.
- Place this product on level ground and at least 6.6' away from a fence, building, overhead branches, laundry lines or electrical wires. This product should be placed away from furniture that could cause injury if a fall occurs.
- Ensure the installation area is ventilated.
- Do not use the product if it is damaged or defective. If it is damaged or defective, please contact a qualified technician.
- Check that all parts are assembled well and are stable before use. Defective parts must be changed immediately as they can impair the function and the safety of the product.
- When temperatures fall below freezing, (0°C/32°F), outdoor use of this product is not recommended. In extreme cold, plastic materials lose resilience and may become brittle and crack with impact. Store product in a warmer, protected place.
- Keep away from fire or any source of ignition.
- Packing materials are not toys, keep them away from children.
- Instruct children on proper use of this product: only after properly assembled and installed, and not in a manner other than intended.
- Dress children appropriately: do not allow children to wear loose-fitting clothing including ponchos, scarves and garments with drawstrings. Well-fitting shoes must be worn at all times.
- Avoid placing equipment in direct sunlight as hot surfaces could cause serious burns.
- Provide adult supervision at all times.

PART LIST



Slide Extension x 1



Slide x 1



Slide Handrail x 2



Side Panel x 3



Swing Beam x 1



Tread x 2



Swing Base x 1



Swing Seat x 1



Seat Armrest x 1



Swing Arm x 2



Swing Bar x 1



Basketball Ring x 1



Basketball Net x 1



Screw A x 6



Screw B x 1



Screw C x 15



Screw D x 4



Clasp E x 4



Plastic Screwdriver x 1



Plug F x 2

ASSEMBLY



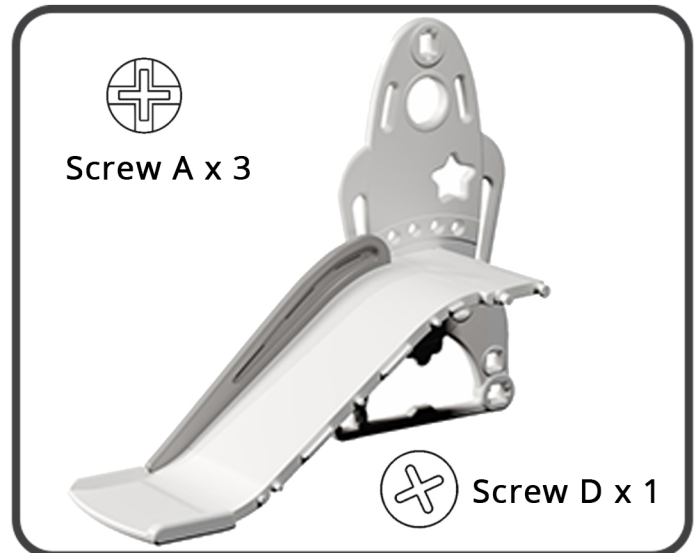
Step 1

Connect the Slide and Slide Extension part for later use.

Step 2

Attach 1 Slide Handrail to the Slide part, secure with 3pcs Screw A. Tighten with Plastic Screwdriver.

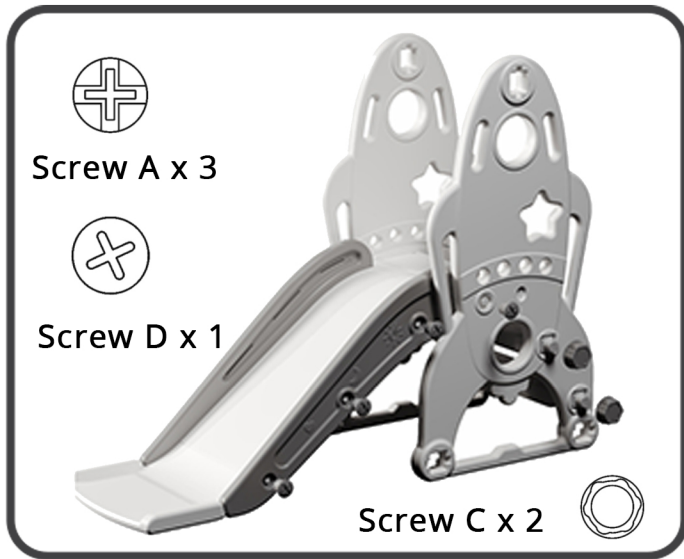
Then connect the slide section to Side Panel, secure with Screw D.



Step 3

Insert the 2 Treads into the Side Panel, and secure with 2pcs Screw C.

ASSEMBLY



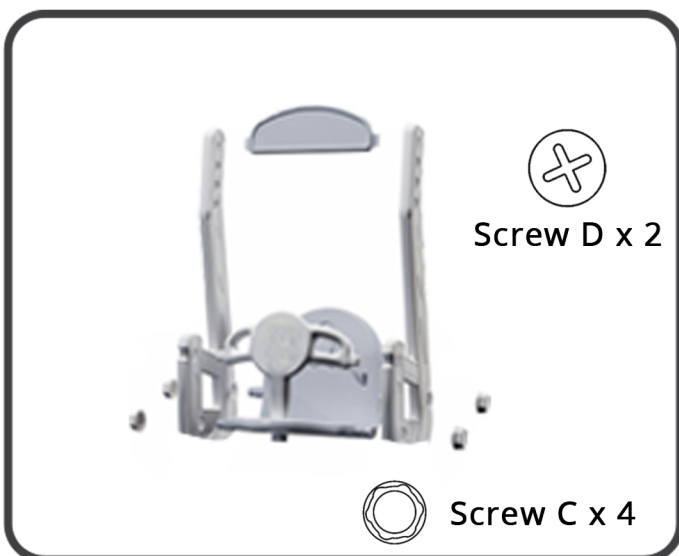
Step 4

Connect the other Slide Handrail, secure with 3pcs Screw A.

Then attach the 2nd Side Panel, secure the Slide Section with 1pc Screw D, and the Treads with 2pcs Screw C.

Step 5

Insert the Seat Armrest into the Swing Seat, secure with 1pc Screw B.



Step 6

Connect the 2 Swing Arms, Swing Seat, and the Swing Beam, secure with 4pcs Screw C and 2pcs Screw D.

ASSEMBLY



Step 7

Slide the Swing Bar through Side Panel, secure the end with 1pc Screw C.

Insert 2 Swing Bases to the Side Panel at the bottom, secure with 2pcs Screw C.

Step 8

Slide the Swing section through the Swing Bar.

Insert 4pcs Clasp E into the holes in Swing Bar to secure the Swing Set in place.

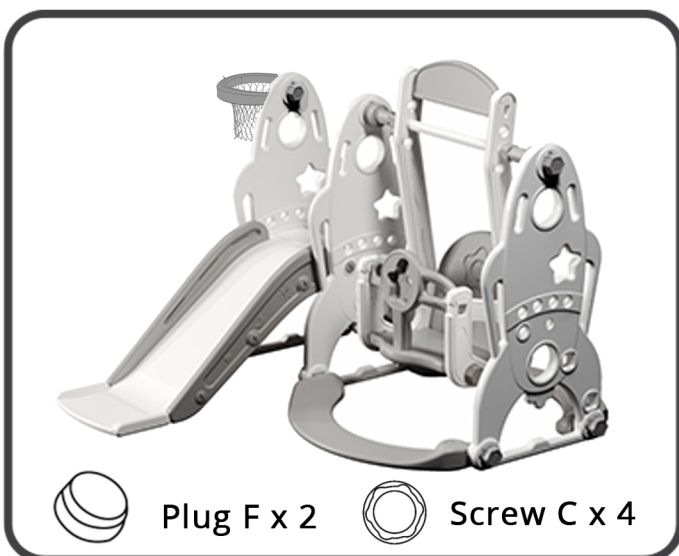


Step 9

Attach the 3rd Side Panel, secure the Swing Bar with 1pc Screw C, and the bottom with 2pcs Screw C.

For better stability of the Swing Set, add water to the Swing Base and cover with 2pcs Plug F.

Install the Basketball Hoop to the Side Panel, secure with 1pc Screw C.





GENERAL SAFETY INSTRUCTIONS

This product is intended for indoor, outdoor, home, domestic use only. It is not suitable for commercial or medical use.

The assembly of the product must be done carefully and by an able-bodied adult. If in any doubt, ask a technically qualified person.

Do not use the product if it is damaged or defective. If it is damaged or defective, please contact a qualified technician.

Check the product before each use. Defective parts must be changed immediately as they can impair the function and the safety of the product.

Use the product only on even and non-slip surfaces. Keep sufficient space around for safety.

Beware that when using tools or doing technical work, there is always a risk of injuries. Assemble the product with care.

After installing the product according to the instruction manual, ensure all screws, bolts and nuts are correctly installed and tightened and that all joints are secure.

Do not make alterations to the product. Only use original spare parts. Only qualified technicians should carry out repairs - improper repairs can lead to danger for the user. Use this product only as described in this manual.

IMPORTANT

The owner's manual contains safety, assembly, use and maintenance instructions. The product must be assembled by an adult who has read and understood these instructions. Keep the packaging away from children and dispose of all packaging before use.

OPERATION INSTRUCTIONS

Provide adult supervision at all times.

The disassembled product contains small parts which pose a choking hazard to children under 3.

Dress children appropriately, including wearing well-fitting shoes that fully protect feet.

Instruct children:

- to sit in the center of the swings with their full weight on the seats,
- to avoid swinging empty seats,
- to slide feet first; one child down slide at a time,
- to remove articles, before playing on equipment, that create hazards when they get tangled and caught.
- not to walk close to, in front of, behind, or between moving items,
- not to get off equipment while it is in motion.

Never allow children to use the equipment in a manner other than intended. Do not swing while standing or slide down head first.