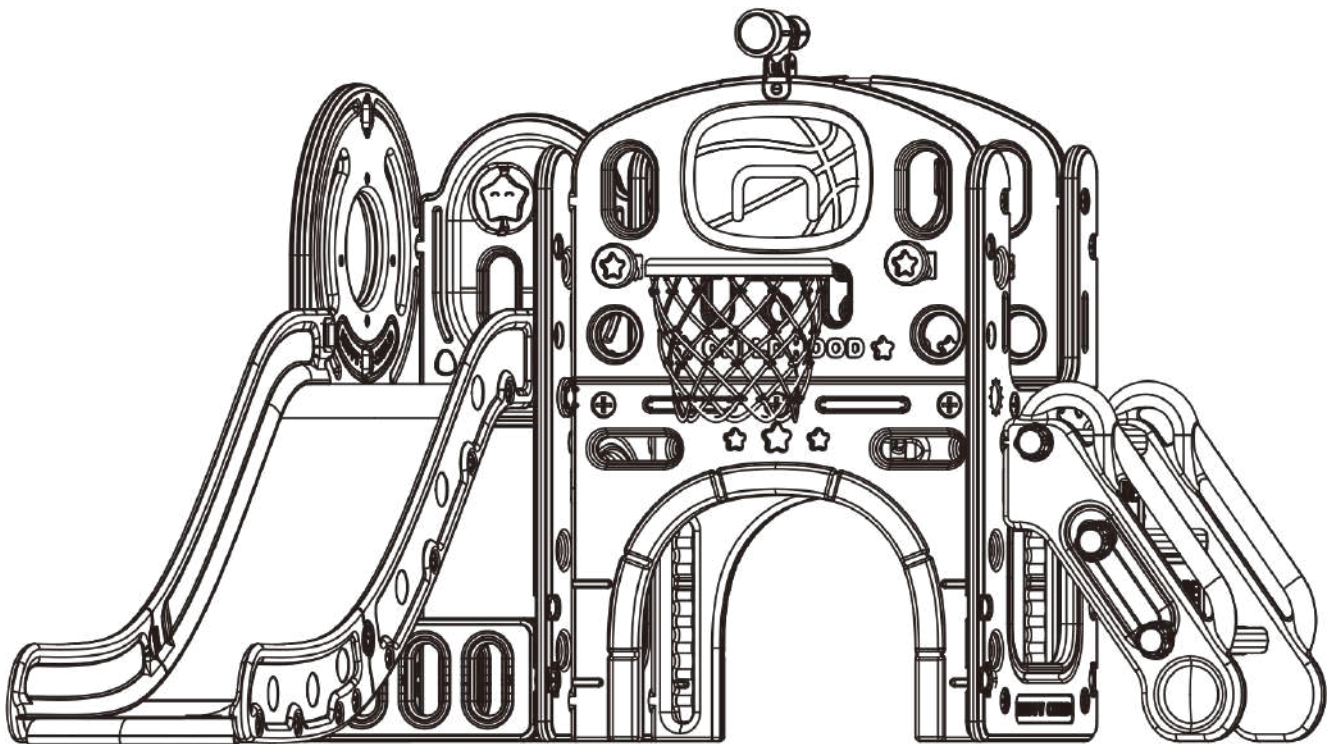


# Multiplay Tower & Slide

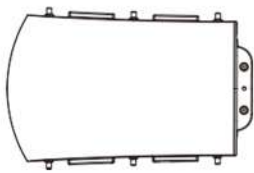
## USER MANUAL



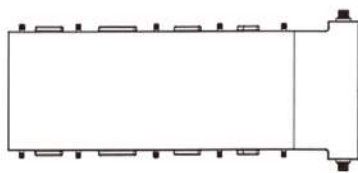
READ AND SAVE THIS INSTRUCTION FOR FUTURE USE

---

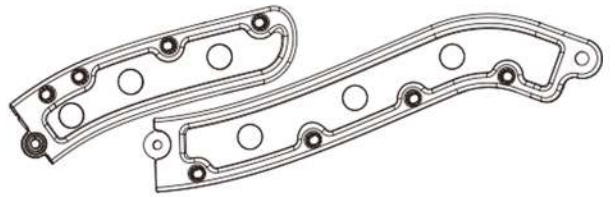
# PART LIST



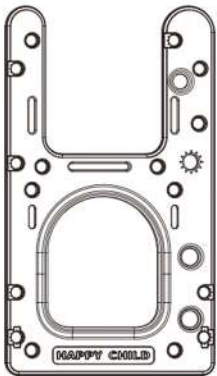
Buffer Board x 1



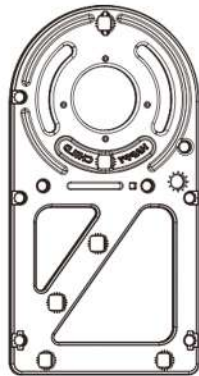
Slide x 1



Slide Handrail x 2



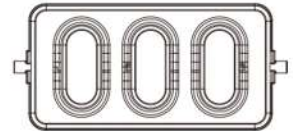
U-Shaped Side Panel x 2



Large Side Panel x 1



Panel with Star x 1



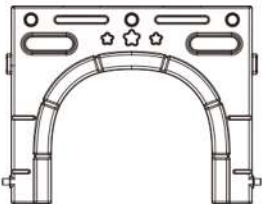
Storage Panel x 2



Security Fence x 2



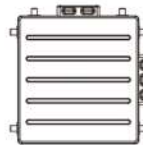
Stair Handrail x 2



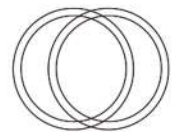
Tunnel Panel x 2



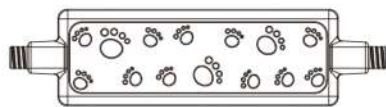
Riser x 2



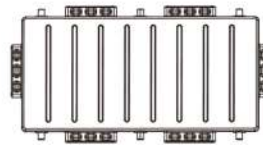
Small Platform x 1



Ring x 4



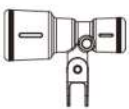
Tread x 3



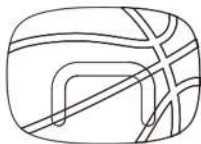
Tunnel Platform x 1



Peg x 2



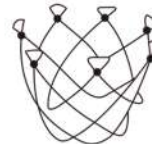
Telescope x 1



Sticker x 1



Basketball Ring x 1



Net x 1



Basketball x 1



Metal Screw A x 1



Screw B x 7



Screw C x 30



Screw D x 2



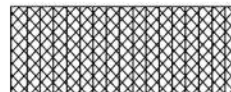
Screw E x 2



Screw F x 18



Screw G x 2

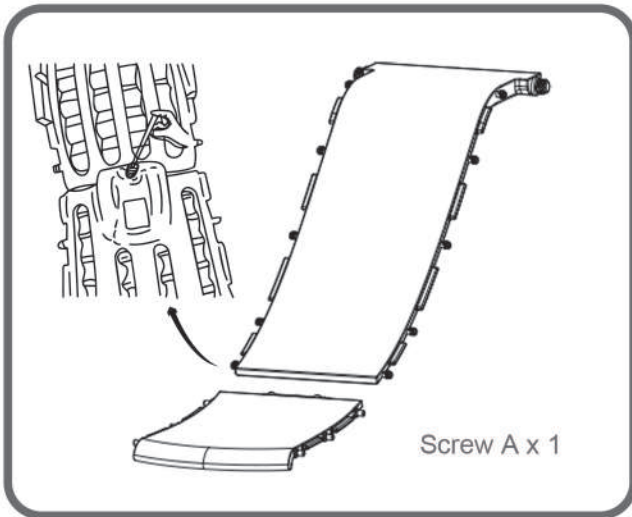


Non-Slip Pad x 2



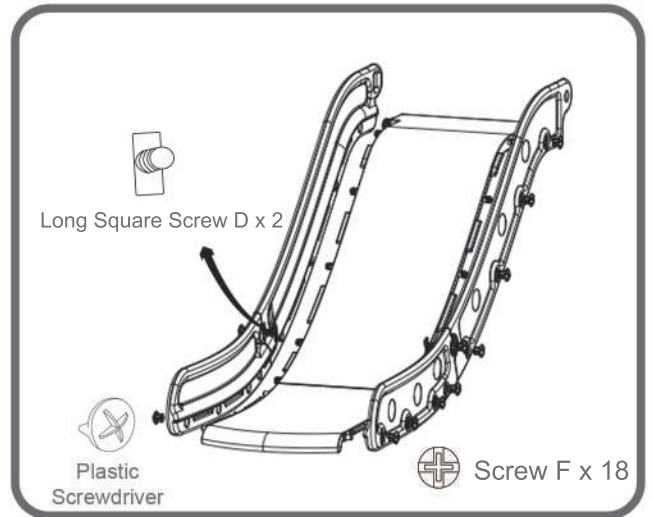
Plastic Screwdriver x 1

# ASSEMBLY



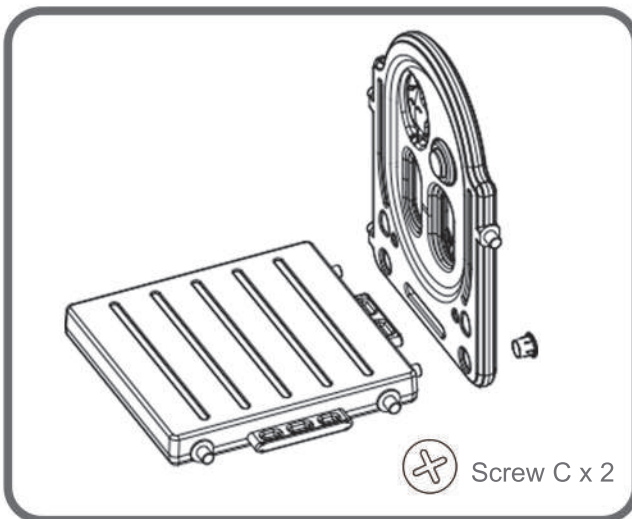
## Step1

Attach the Slide to the Buffer Board, and secure with Screw A on the back. Attach the Non-Slip Pads under the Slide for extra stability.



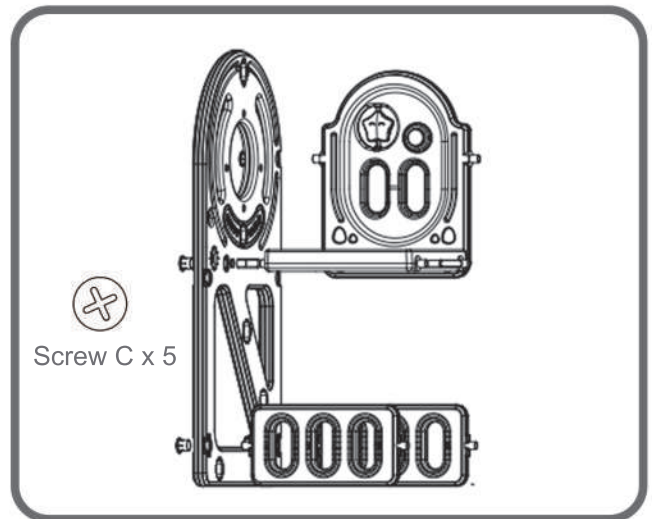
## Step2

Connect the Handrails together with Long Square Screw D, and then attach the Long handrail to Slide, secure with 9pcs Screw F on each side, 18pcs Screw F intotal. Tighten with Plastic Screwdriver.



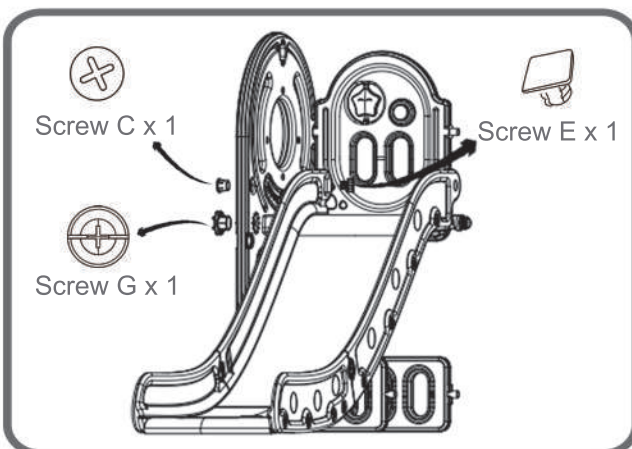
## Step3

Connect the Small Platform with Panel with Star, secure with 2pcs Screw C.



## Step4

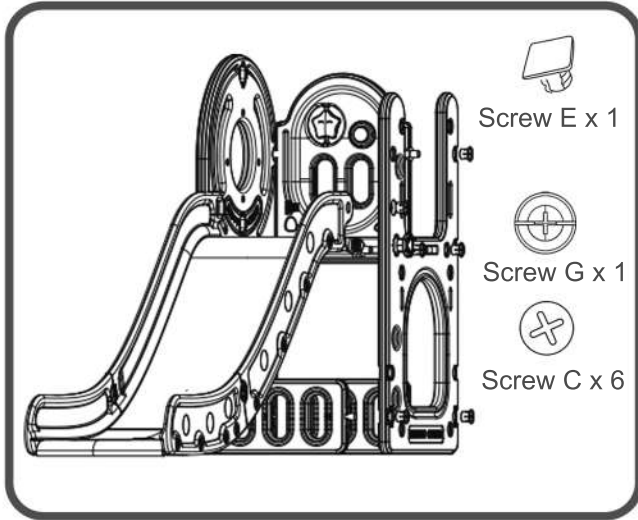
Install the 2 Storage Panels at the bottom of Large Side Panel, secure with 2pcs Screw C. Then connect the small platform to the Large Side Panel, secure with 2pcs Screw C. Secure the Panel with Star with 1pc Screw C.



## Step5

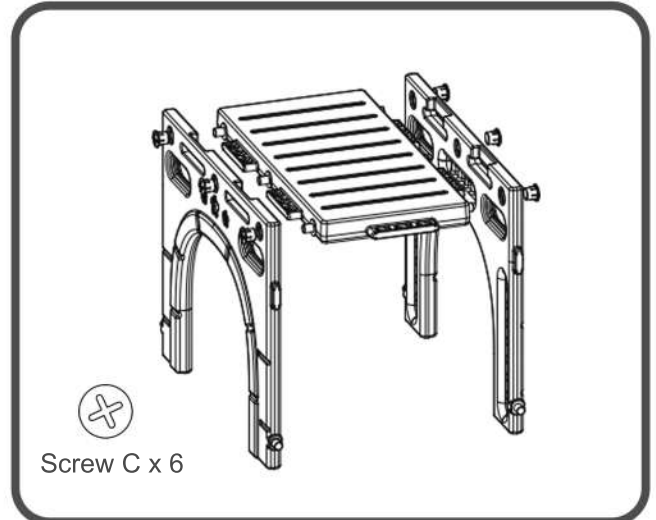
Conenct the Slide section to the Platform, secure the Handrail to the Large Side Panel with 1pc Square Screw E and 1pc Screw C, secure the Slide to the Side Panel with 1pc Screw G.

# ASSEMBLY



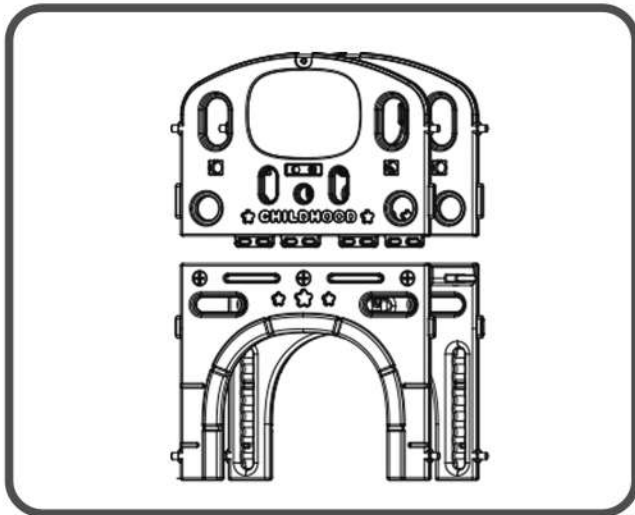
## Step6

Attach the U-Shaped Panel, secure this side with 6pcs Screw C, 1pc Screw G and 1pc Square Screw E.



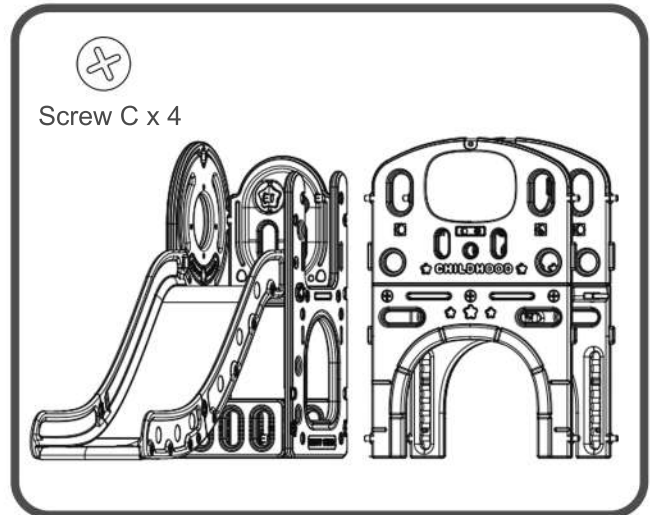
## Step7

Connect the Tunnel Platform with 2 Tunnel Panels, secure with 6pcs Screw C.



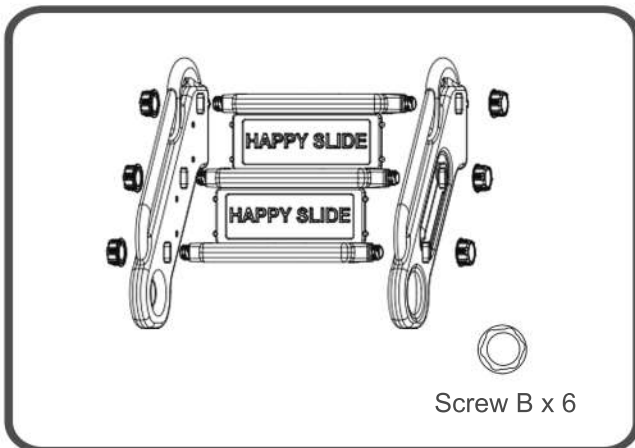
## Step8

Install the 2 Security Fences on the Tunnel Panel.



## Step9

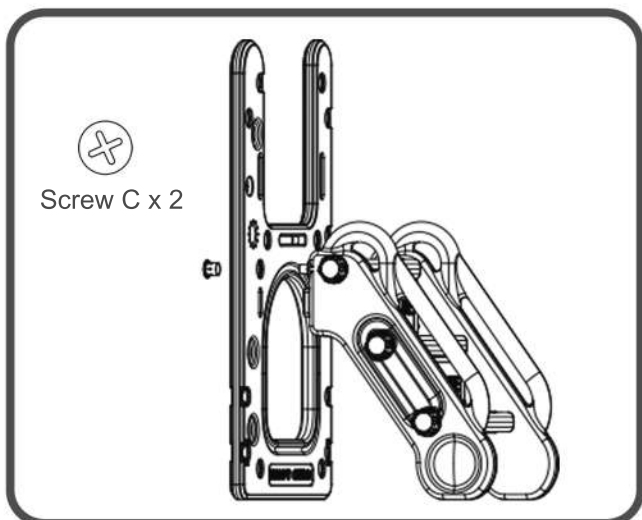
Connect the Slide section with Tunnel section, secure with 2pcs Screw C at the bottom, and 2pcs Screw C in the upper part.



## Step10

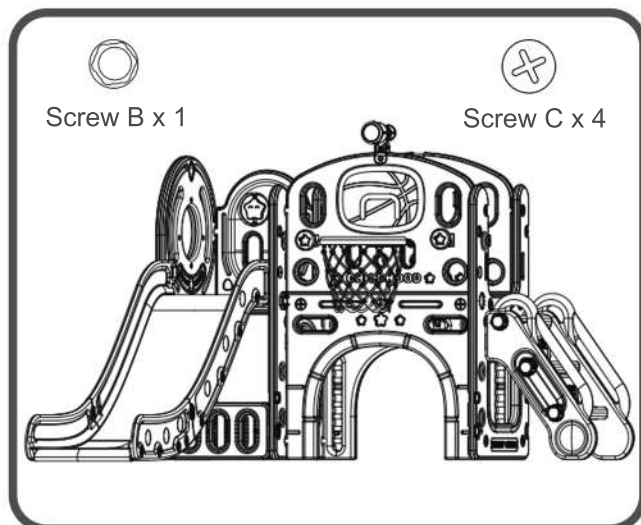
Combine the Tread, Riser and Stair Handrails, secure with 6pcs Screw B.

# ASSEMBLY



## Step11

Insert the Stair set into the 2nd U-Shaped Side Panel as illustrated, secure with 2pcs Screw C.



## Step12

Attach the U-Shaped Side Panel to the tunnel section, secure with 4pcs Screw C.

Install the Basketball Hoop, secure with 1pc Screw B.

Install the Telescope and Ring Toss Pegs.

Put Sticker on the Fence Panel as illustrated.