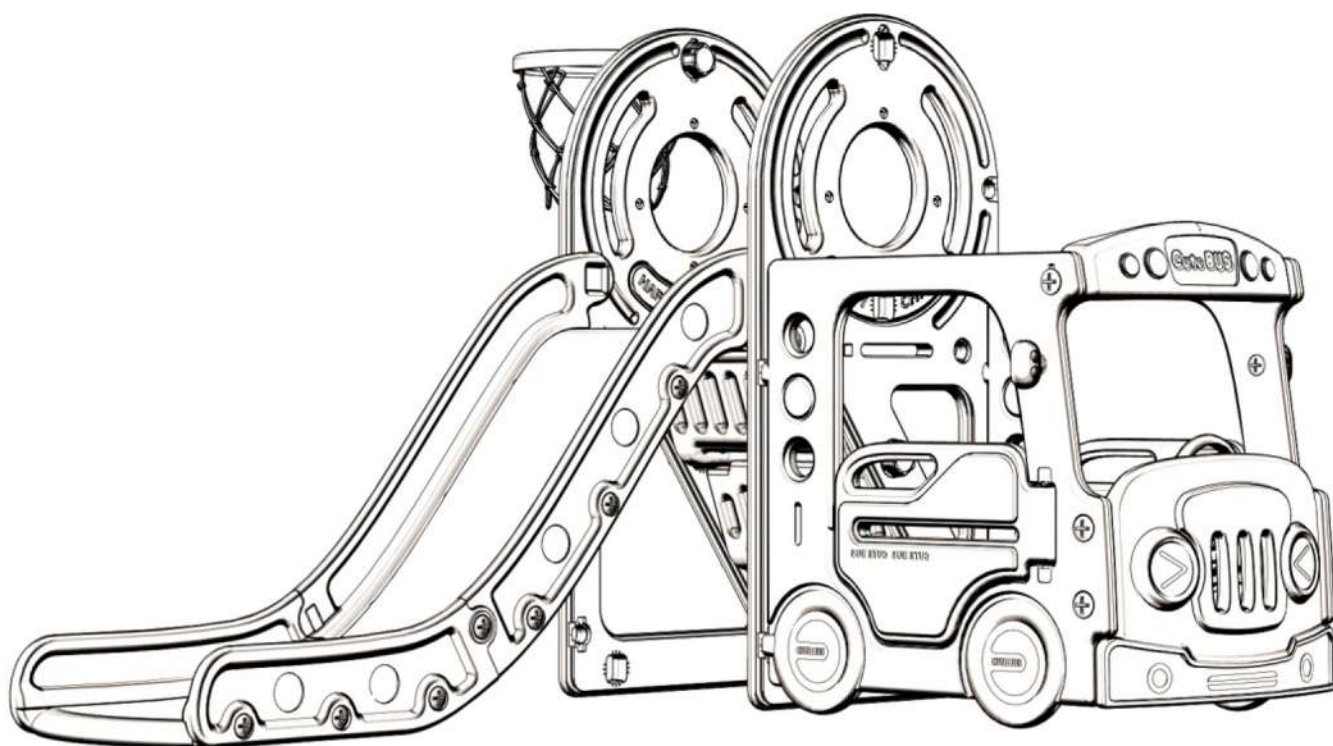
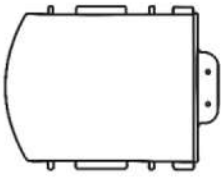


Bus Slide with Basketball Hoop

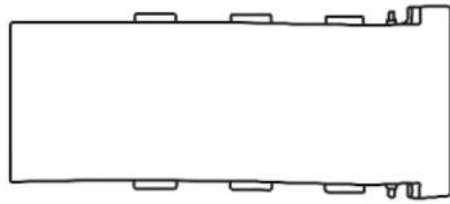


READ AND SAVE THIS INSTRUCTION FOR FUTURE USE

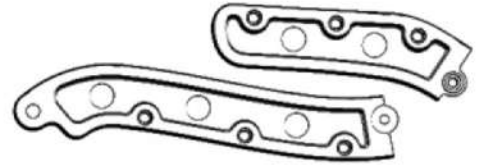
PART LIST



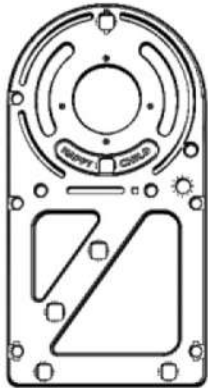
Buffer Board x 1



Slide x 1



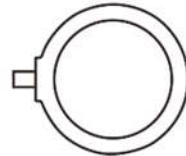
Slide Handrail x 2



Side Panel x 2



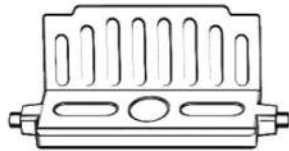
Tread x 1



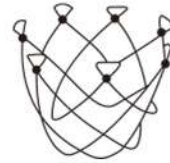
Basketball Ring x 1



Plastic
Screwdriver x 1



Stair x 2



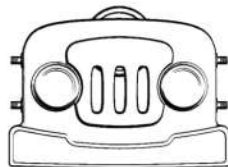
Basketball Net x 1



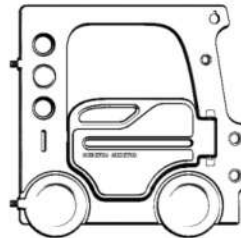
Metal
Screwdriver x 1



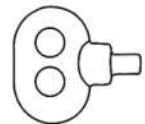
Baffle Plate x 1



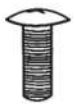
Bus Front x 1



Bus Side Panel x 2



Rear-view
Mirror x 2



Metal Screw A x 1



Screw B x 16



Screw C x 2



Screw D x 14



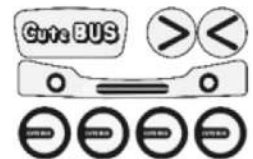
Screw E x 2



Screw F x 2

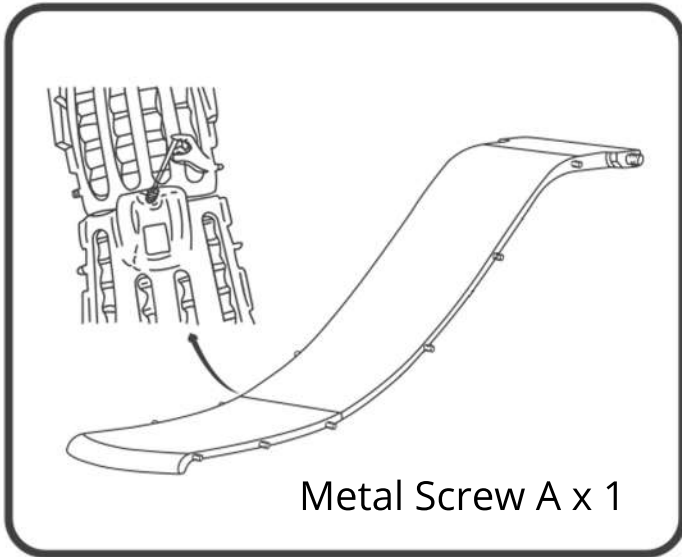


Nut G x 5



Stickers x 1

ASSEMBLY

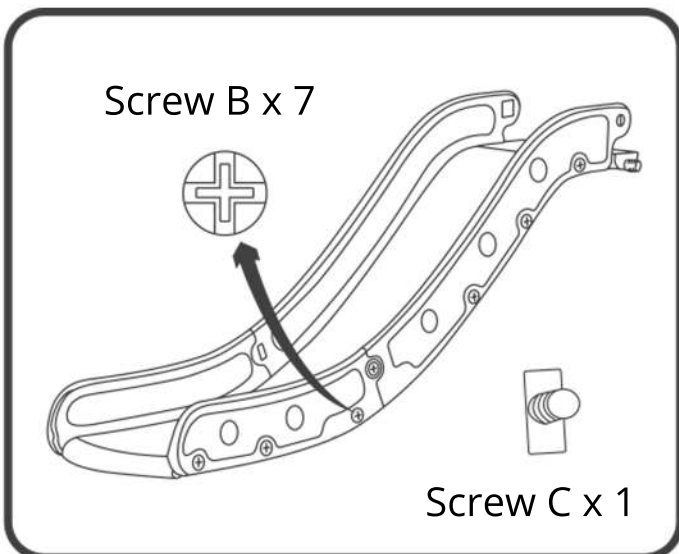
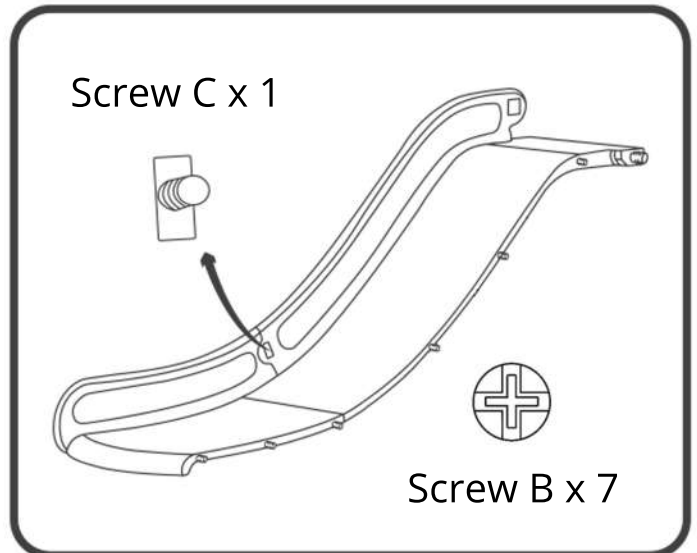


1.1

Attach the Slide to the Buffer Board, and secure with Metal Screw A on the back.

1.2

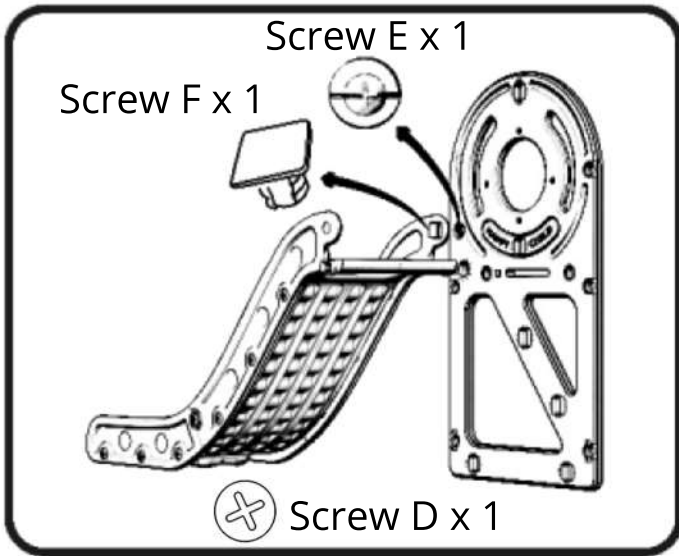
Connect the Slide Handrails together with Screw C, and then attach it to the Slide, secure with 7pcs Screw B. Tighten with Plastic Screwdriver.



1.3

Repeat the previous step to complete the other side. Tighten screws with Plastic Screwdriver.

ASSEMBLY

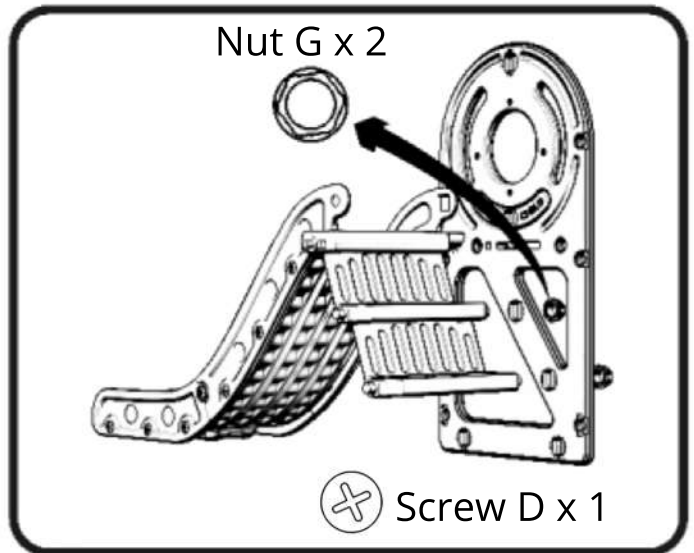


2.1

Connect the Slide section previously assembled to the Side Panel, securing them with 1pc Screw D, E, F, tighten with Plastic Screwdriver.

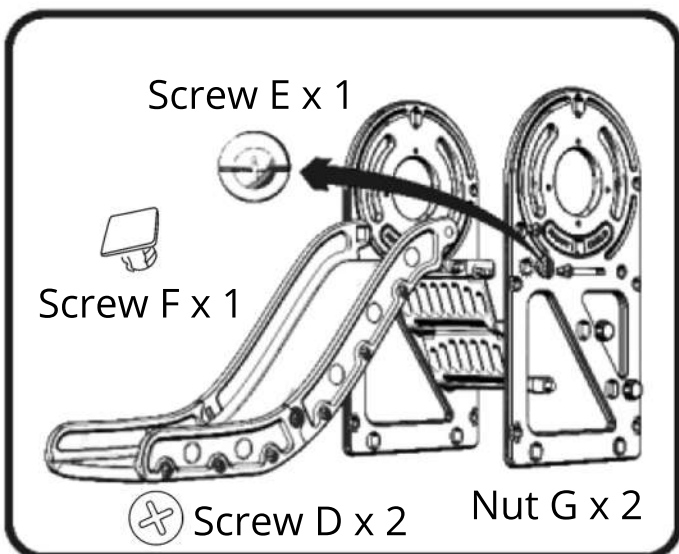
2.2

Insert the Tread and 2 Stairs into the Side Panel, secure with 1pc Screw D and 2pcs Nut G.

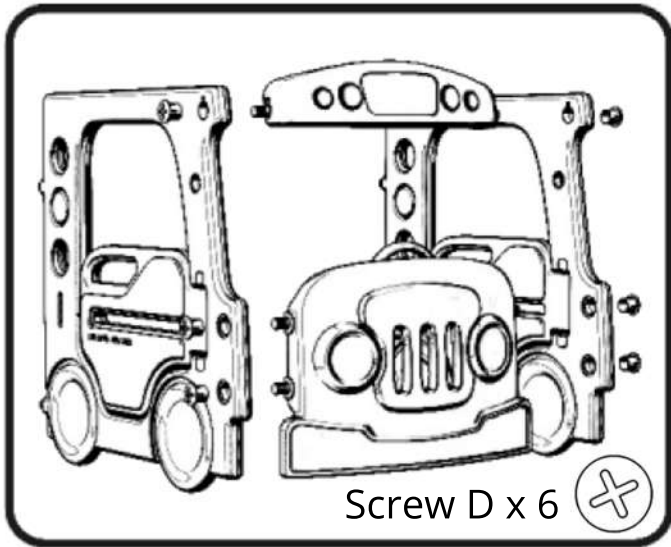


2.3

Install the second Side Panel, make sure the plastic pegs align with the correct holes, secure with 1pc Screw E, F, and 2pcs Screw D, Nut G. Tighten all screws with Plastic Screwdriver.



ASSEMBLY

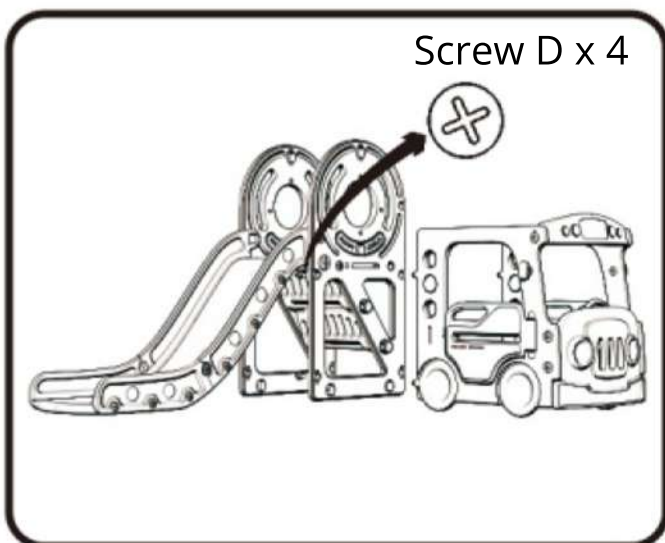
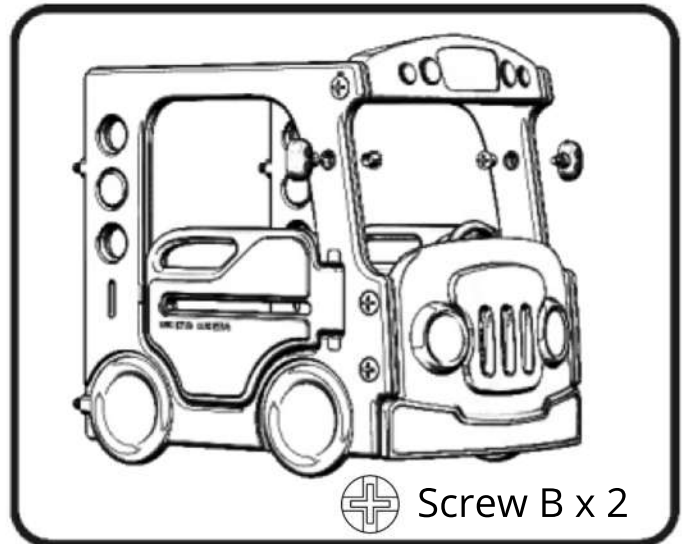


3.1

Connect the Bus Side Panel, Bus Front and Baffle Plate together, secure with 6pcs Screw D.

3.2

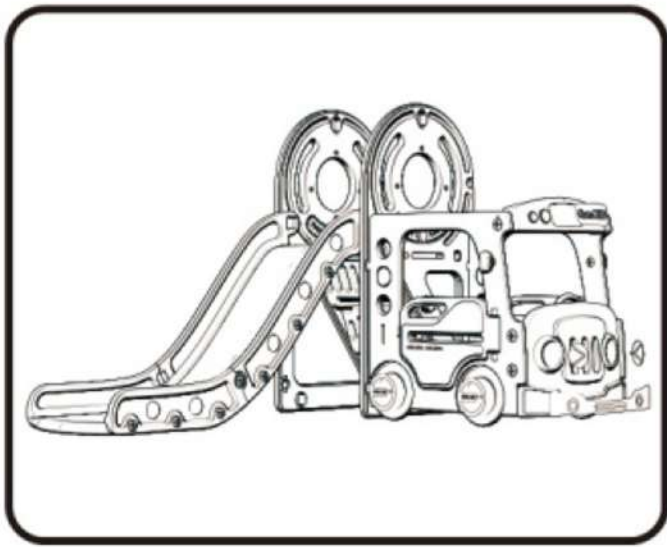
Install the 2 Rear-view Mirrors to the Bus Side Panel, secure with 2pcs Screw B.



3.3

Attach the Bus section to the Slide section, secure with 4pcs Screw D.

ASSEMBLY



4.1

Put Stickers on the Bus.

4.2

Install the Basketball Hoop to the Side Panel, secure with 1pc Nut G.

