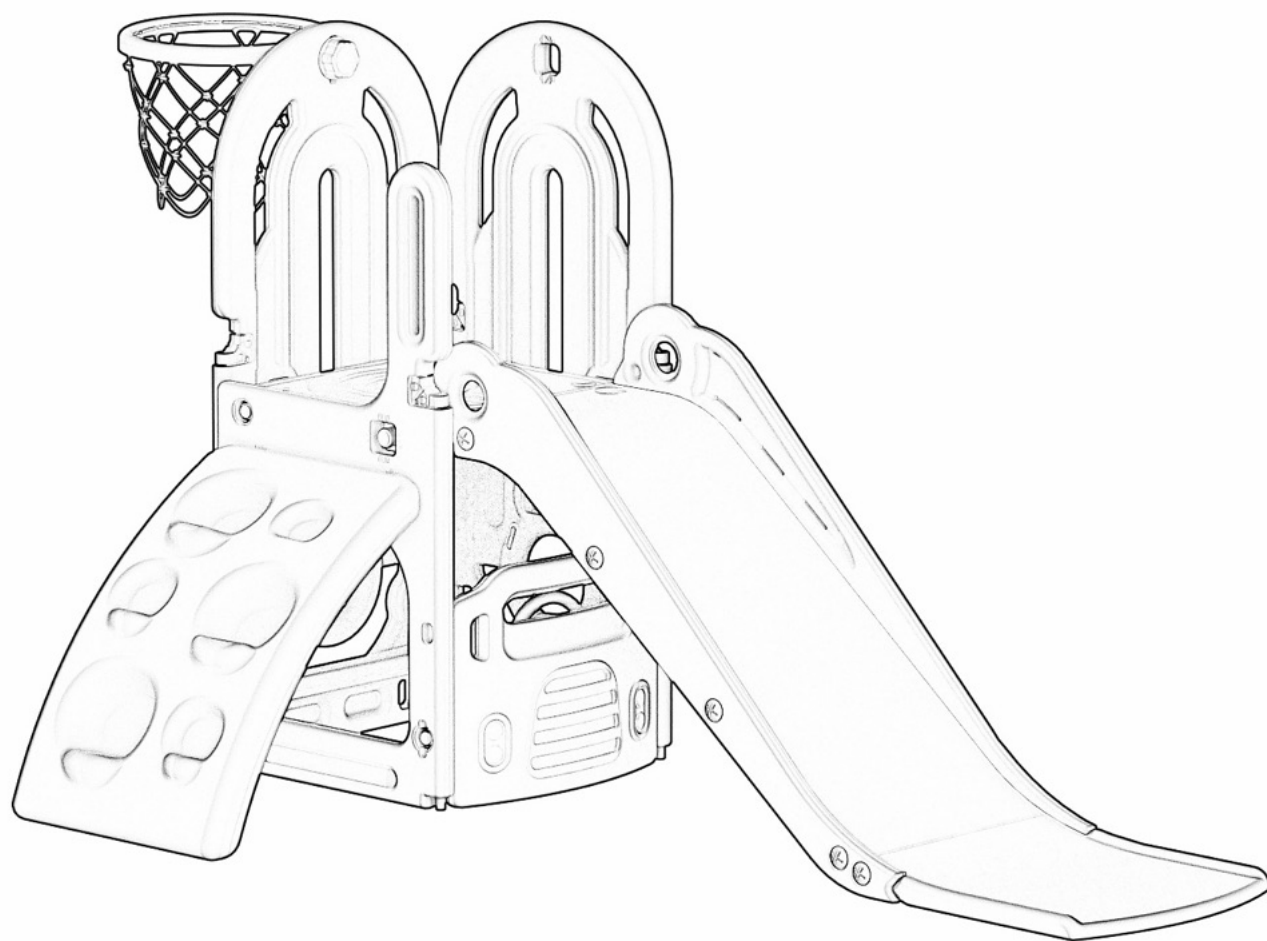


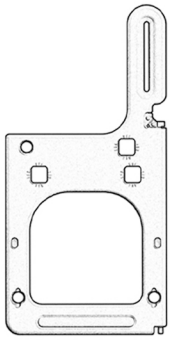
Climber & Slide Playset

USER MANUAL

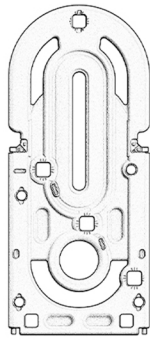


READ AND SAVE THIS INSTRUCTION FOR FUTURE USE

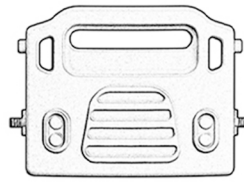
PART LIST



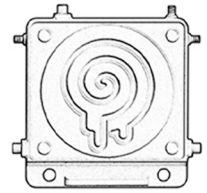
Side Panel A x 1



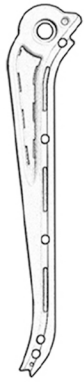
Side Panel B x 2



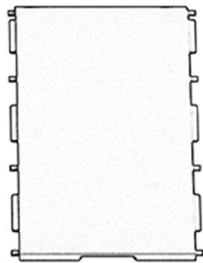
Front Panel x 1



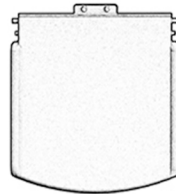
Platform x 1



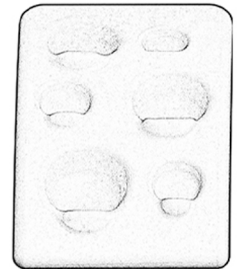
Slide Handrail x 2



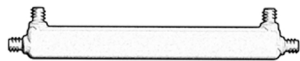
Slide x 1



Slide Extension x 1



Climber x 1



Support Beam x 1



Basketball Ring x 1



Basketball Net x 1



Screw A x 3



Screw C x 10



Screw D x 11



Screw E x 3



Screw F x 2

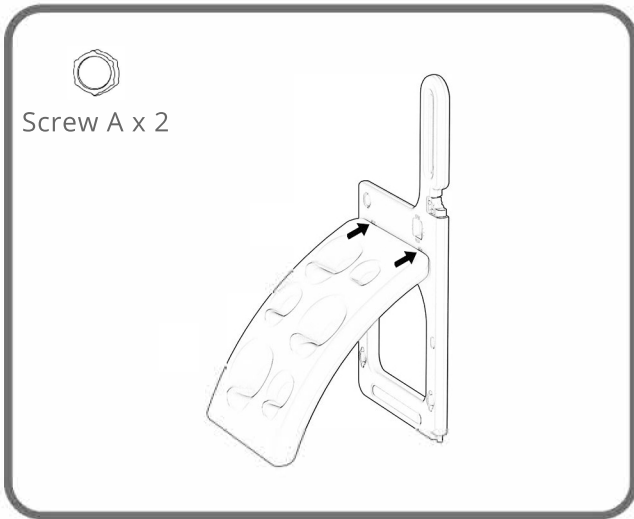


Suction Cup x 4



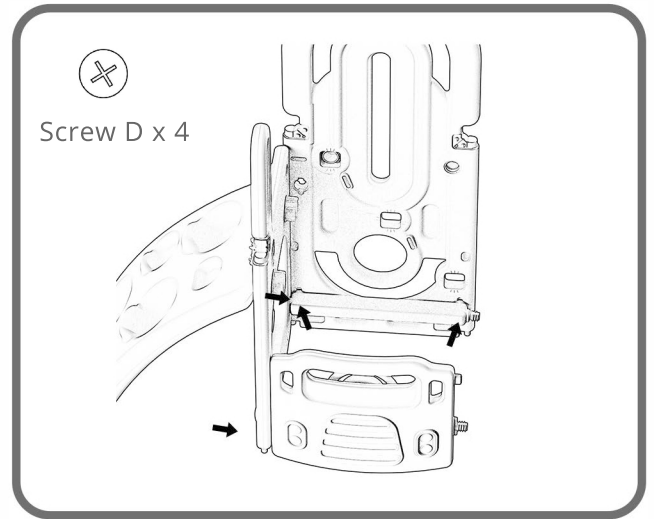
Cap x 1

ASSEMBLY



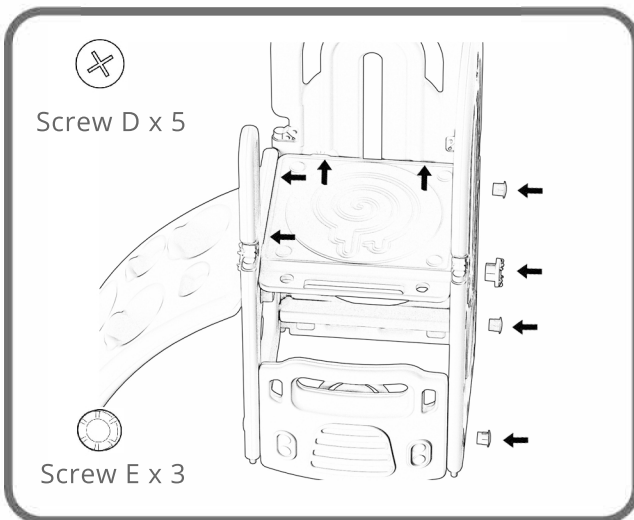
Step1

Connect the Climber to Side Panel A, secure with 2 Screw A.



Step2

Attach the Front Panel to Side Panel A as shown, secure with 1 Screw D. Then connect 2 Side Panel B and Support Beam in the back, secure with 3 Screw D.



Step3

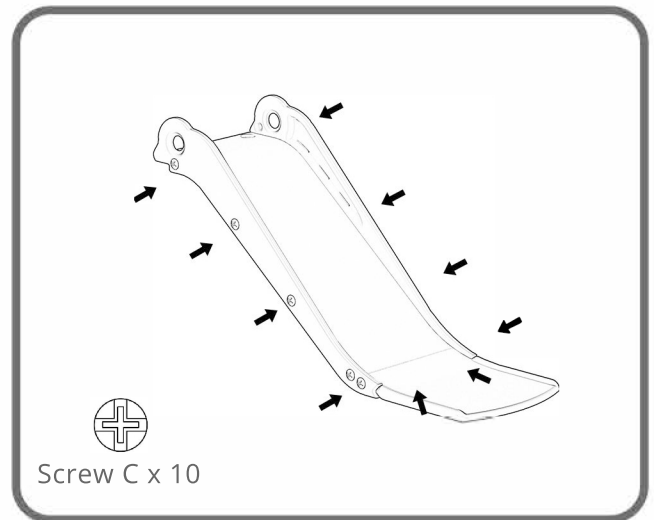
Attach the Platform to the Side Panel in the direction as shown, secure the Platform on 3 sides, with 1 Screw D and 1 Screw E on each side.

Then secure the Right Side Panel at the bottom with 2 Screw D.

Step5

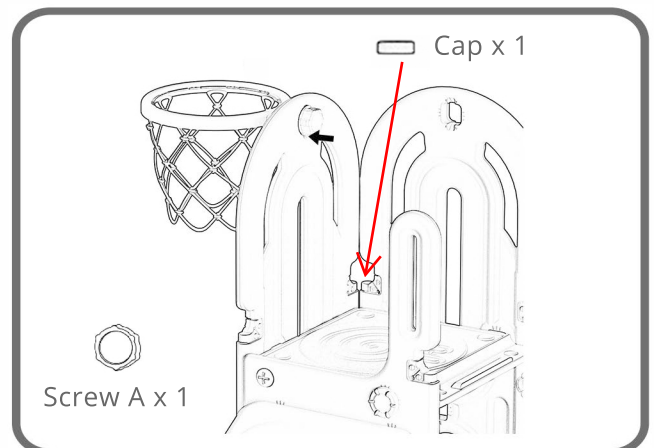
Put the Basketball net on the Rim, then insert the Basketball Set to Side Panel B, secure with Screw A.

Cover the corner formed by 2 Side Panel B with Cap for safety.

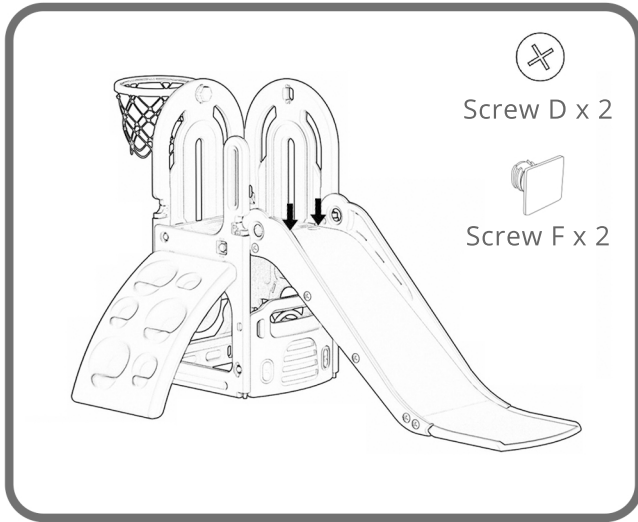


Step4

Connect the Slide and Slide Extension, then attach the handrails, secure with 5 Screw C on each side.

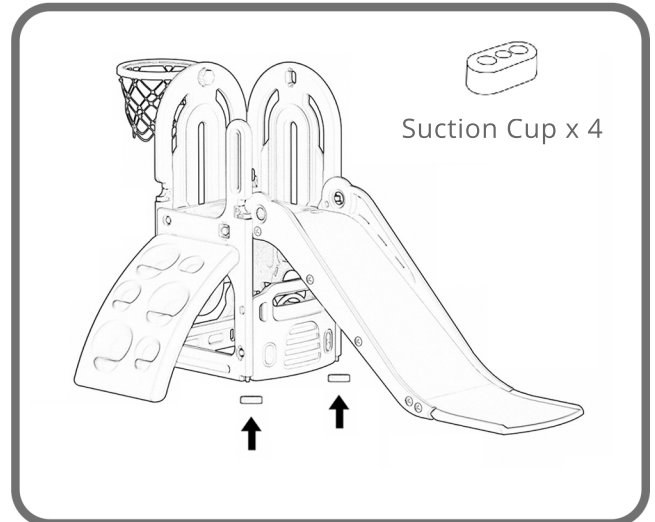


ASSEMBLY



Step 6

Connect the Slide section to the platform, secure with 2 Screw D and 2 Screw F.



Step 7

Install the 4 Suction Cups at the bottom corners to fix the playset firmly on the surface.



GENERAL SAFETY INSTRUCTIONS

This product is intended for indoor, outdoor, home, domestic use only. It is not suitable for commercial or medical use.

The assembly of the product must be done carefully and by an able-bodied adult. If in any doubt, ask a technically qualified person.

Do not use the product if it is damaged or defective. If it is damaged or defective, please contact a qualified technician.

Check the product before each use. Defective parts must be changed immediately as they can impair the function and the safety of the product.

Use the product only on even and non-slip surfaces. Keep sufficient space around for safety.

Beware that when using tools or doing technical work, there is always a risk of injuries. Assemble the product with care.

After installing the product according to the instruction manual, ensure all screws, bolts and nuts are correctly installed and tightened and that all joints are secure.

Do not make alterations to the product. Only use original spare parts. Only qualified technicians should carry out repairs - improper repairs can lead to danger for the user. Use this product only as described in this manual.

IMPORTANT

The owner's manual contains safety, assembly, use and maintenance instructions. The product must be assembled by an adult who has read and understood these instructions. Keep the packaging away from children and dispose of all packaging before use.

OPERATION INSTRUCTIONS

Provide adult supervision at all times.

The disassembled product contains small parts which pose a choking hazard to children under 3.

Dress children appropriately, including wearing well-fitting shoes that fully protect feet.

Instruct children:

- to sit in the center of the swings with their full weight on the seats,
- to avoid swinging empty seats,
- to slide feet first; one child down slide at a time,
- to remove articles, before playing on equipment, that create hazards when they get tangled and caught.
- not to walk close to, in front of, behind, or between moving items,
- not to get off equipment while it is in motion.

Never allow children to use the equipment in a manner other than intended. Do not swing while standing or slide down head first.