



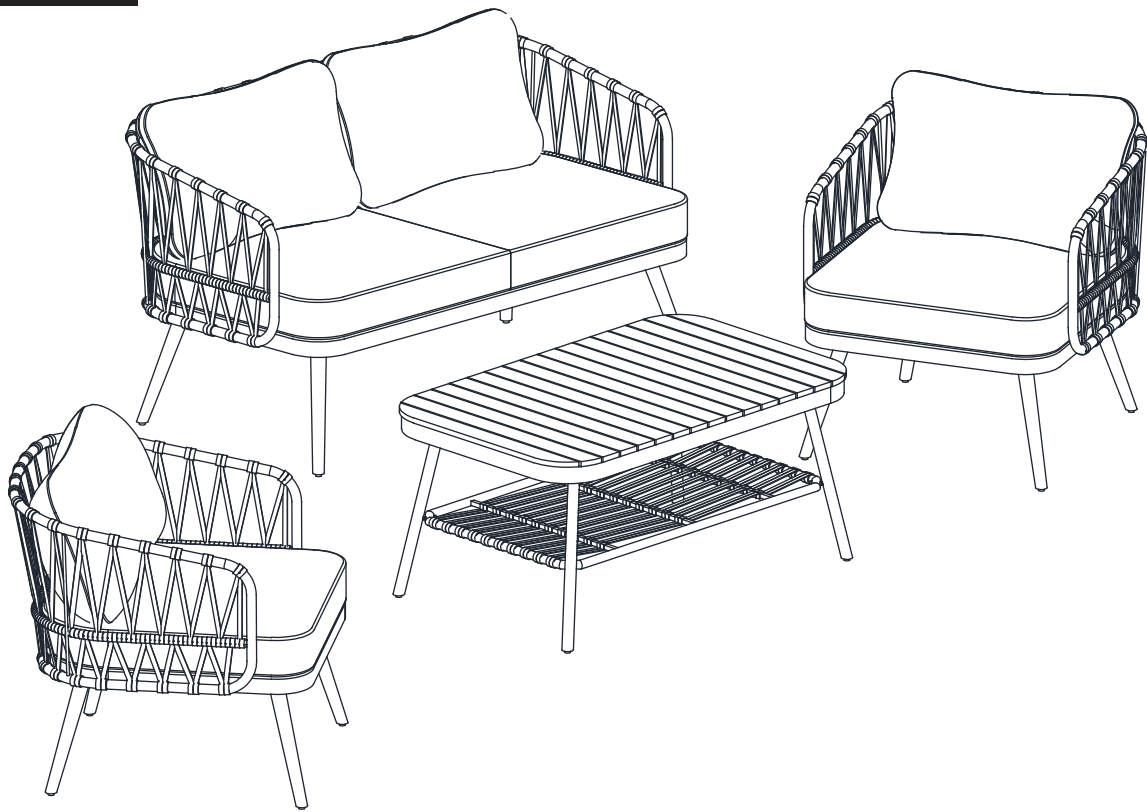
# Assembly Instructions

**CAUTION: You must read these Assembly Instructions before you proceed.**


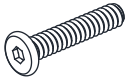
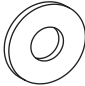
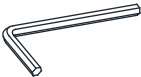
## Care & Maintenance

- ⊘  ● Not for commercial use. For residential use only.
  - ✓  ● Furniture may scratch floors. We recommend using furniture pads to protect your floors.
  - ⊘  ● Do not put hot items directly on furniture surface.
  - ⊘  ● Do not clean furniture with harsh cleansers or polish.
  - ⊘  ● Do not place furniture under direct sunlight
  - ⊘  ● Do not place furniture near heating or cooling vents.
  - ⊘  ● Do not write on furniture without a padded barrier to protect the surface.
  - ⊘  ● Do not place furniture outside. For indoor use only.
  - ⊘  ● Stains may be removed with mild soap solution and damp cloth.
  - ⊘  ● Children should not climb or jump on the furniture.
- 
- ✓  ● Dust and pick-up spills using a clean, non-colored, lint-free cloth.

## OVERVIEW



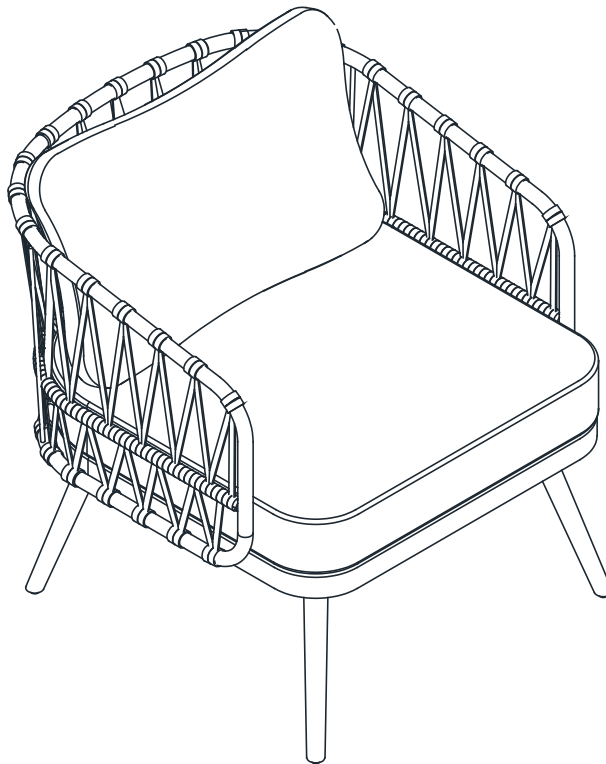
## Hardware List

Label	Picture	Description	QTY
①		Bolt (M6 x 15mm)	52
②		Bolt (M6 x 35mm)	5
③		Washer (Ø6,5x16x1mm)	57
④		Allen Wrench	3

**Caution: You must read this before you proceed**

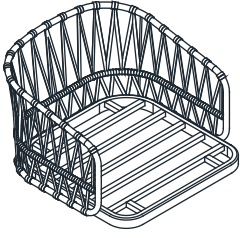

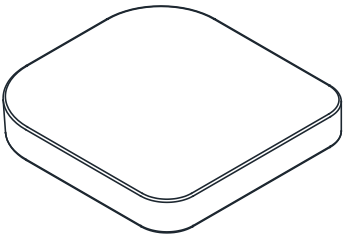
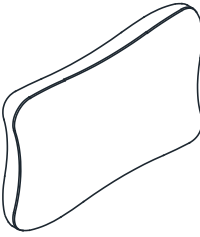
**Please look underneath the Seat Panel for hardware packs**

## **Chair**






**CAUTION: This Chair is NOT a TOY.**  
Keep your child / children at bay during the assembly process.  
For turning the Chair and to prevent damage to the Chair, 02 persons may be needed to execute this action

## Parts List

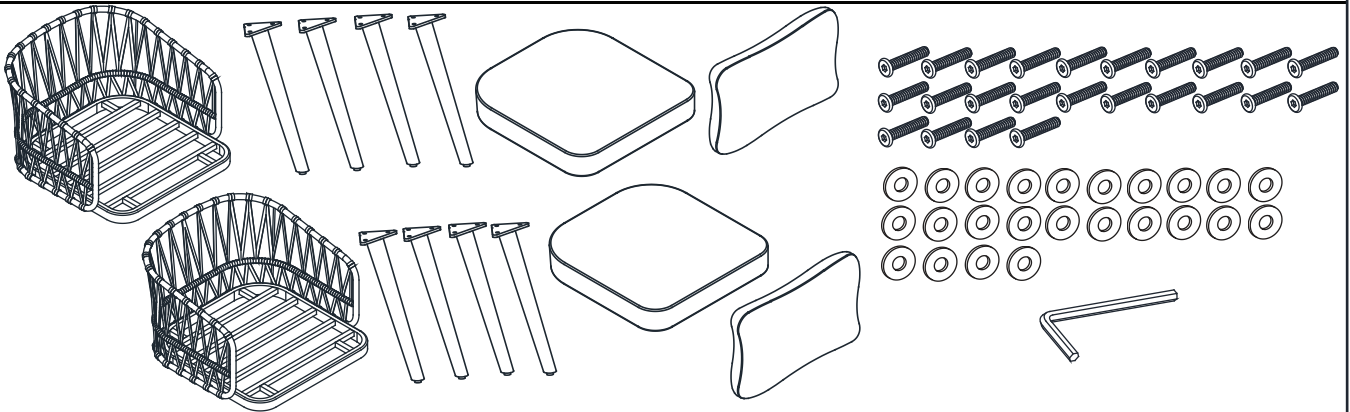
Label	Picture	Description	QTY
A		Seat Frame	2
C		Leg	8
G		Seat Cushion	2
J		Back Cushion	2

## Hardware

Label	Picture	Description	QTY
①		Bolt (M6 x 15mm)	24
③		Washer (Ø6,5x16x1mm)	24
④		Allen Wrench	1

# Assembly Preparation

Before Beginning Assembly:



- Read instructions, cover to cover-



- Have 2 adults on hand for assembly-



- Do not assemble on flooring or carpet-



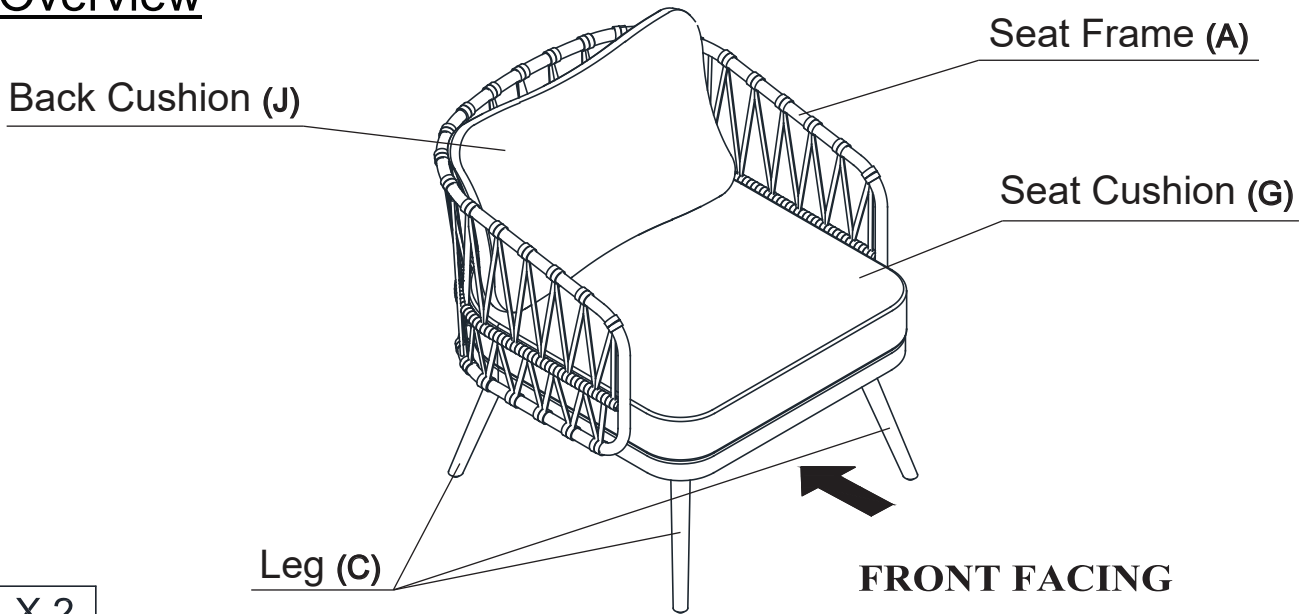
- Assemble on a clean non-marring surface (packing foam)-



- Save all packaging until finished-

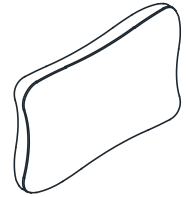
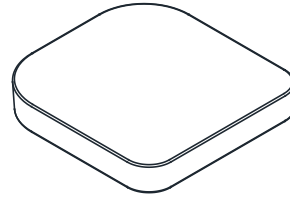
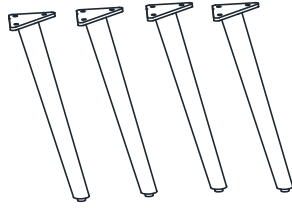
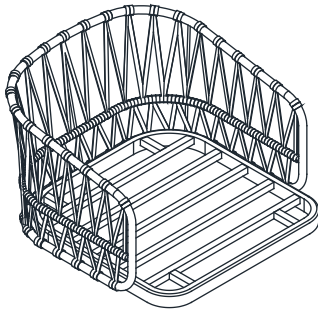
# Assembly Steps

## Overview



This Chair has multiple parts and may require up to 20 minutes to assemble. To give you an overview of the Chair, the above picture is to help you put the various parts into perspective. Please read through the instructions below to familiarise yourself with the parts and steps before assembly.

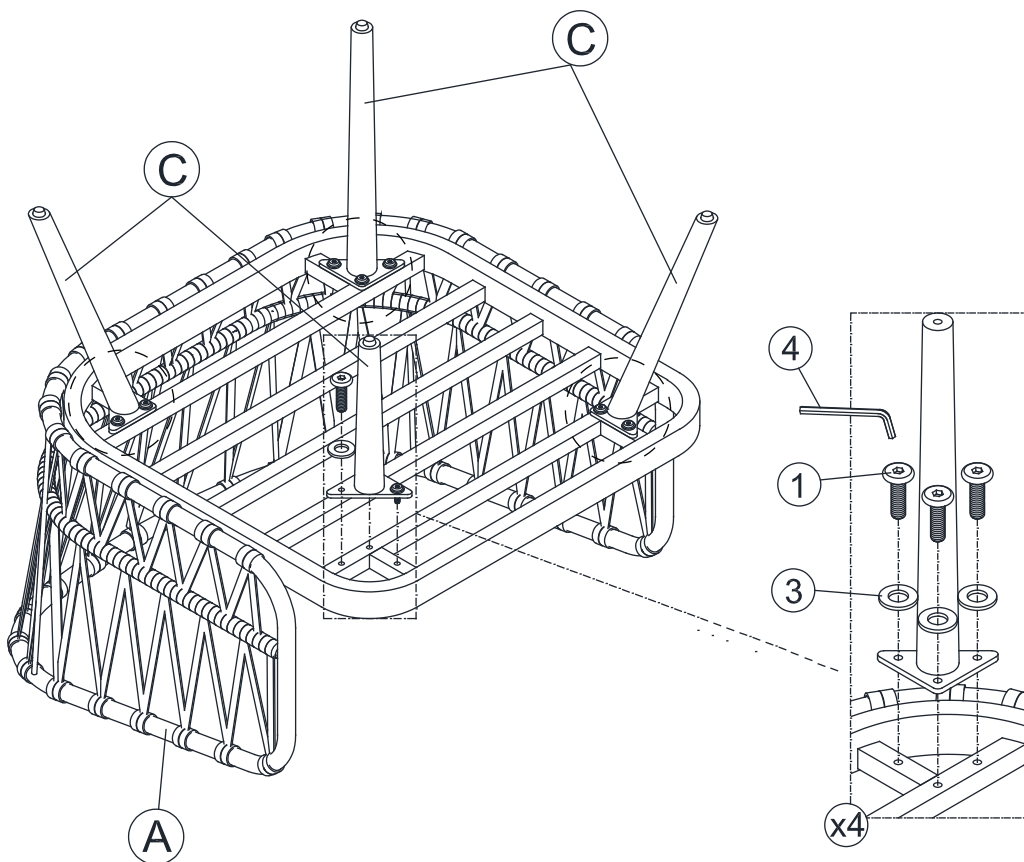
## Step 1



X 2

Unpack and place all parts on a clean, non-marring surface.

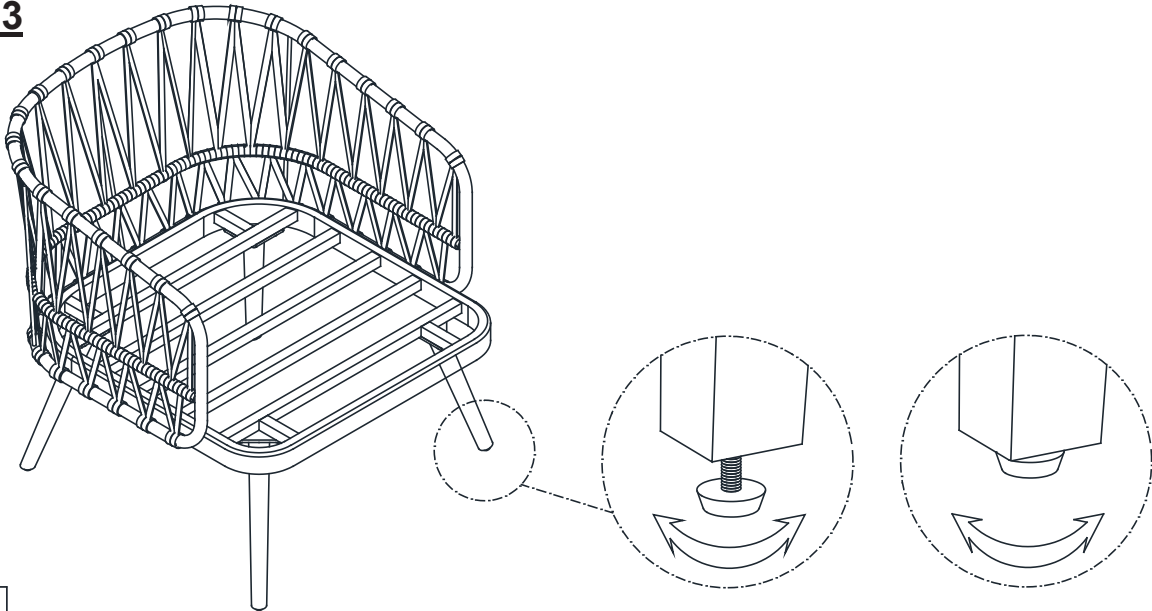
## Step 2



X 2

With assistance from your adult partner, please carefully upside down Seat Frame (A). Insert four Leg (C) to Seat Frame (A) by using Bolts (1) and Washer (3) as shown in the above picture. Fully tighten the Bolts.

### Step 3

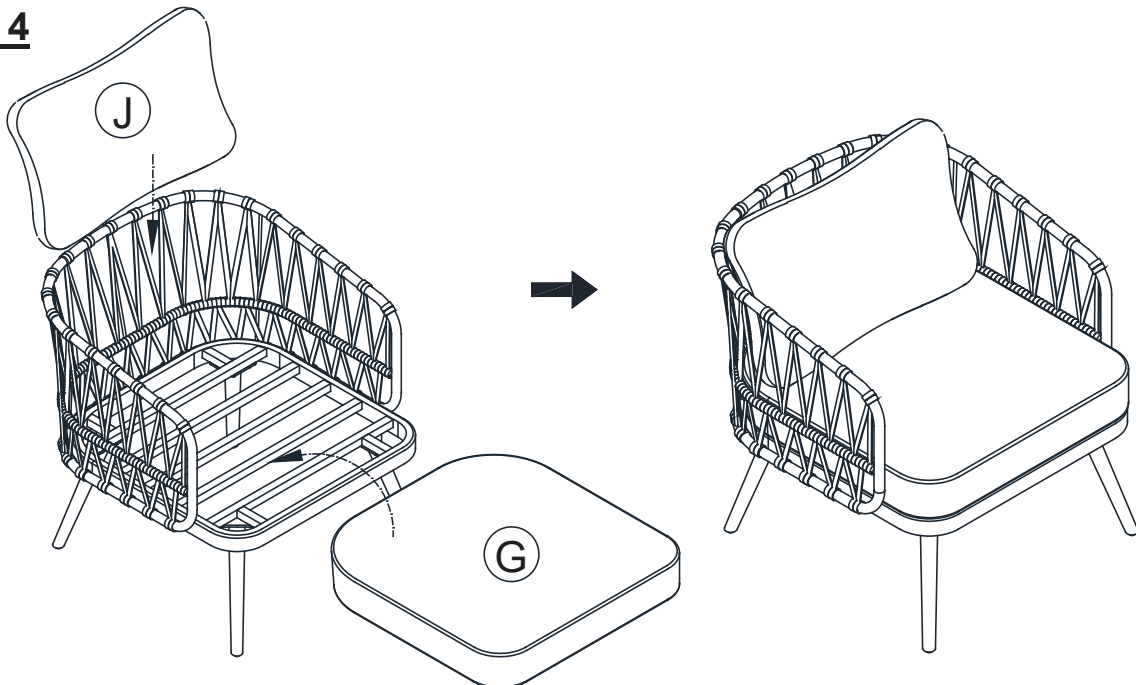


X 2

Adjust height for balance    Adjust low for balance

In a sequential manner, tighten all Screws and Bolts at all joints.  
Place the Chair on a flat, level surface to make sure it is balance.  
**CAUTION:** When tightening these screws and bolts, tighten sequentially.  
**DO NOT** tighten any screw or bolt fully and then move towards the next one.  
This could cause the frame to warp.  
**WARNING!! IF THE CHAIR IS NOT STABLE , IT COULD LEAD TO DAMAGING THE PRODUCT.**  
Stand the Chair up in step 2. Carefully sit on the Chair.  
Adjust the Levellers until the Chair is level with the ground.

### Step 4



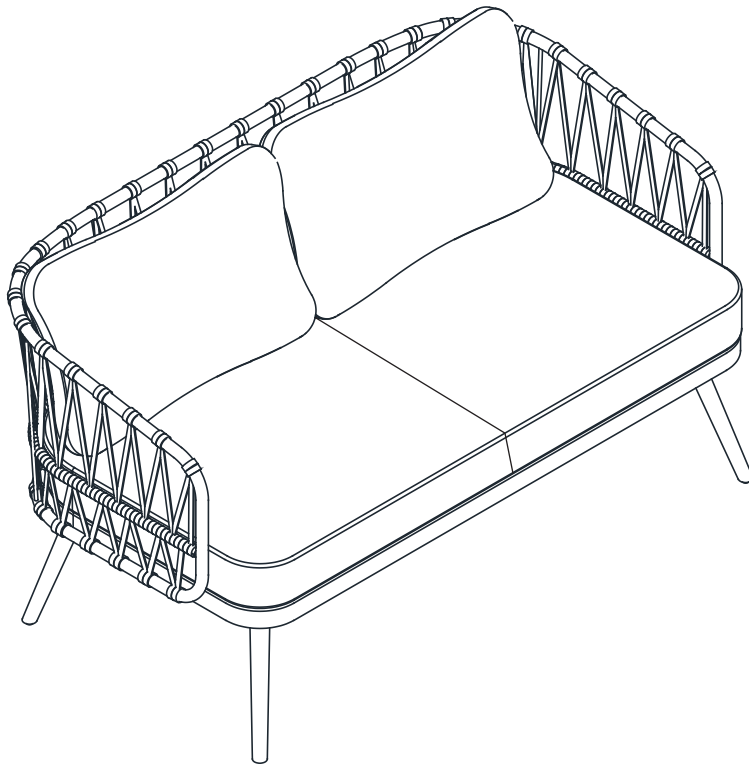
X 2

Place the Seat Cushion (G) and Back Cushions (J) on the Chair as shown above.  
Your Chair is ready to be used.

**Caution: You must read this before you proceed**

**Please look underneath the Seat Panel for hardware packs**

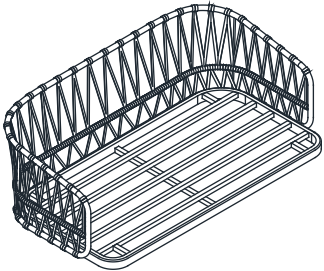

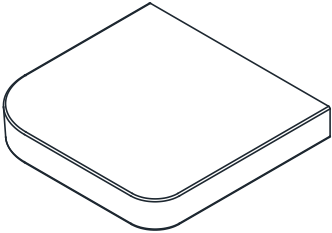
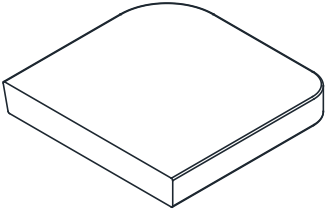
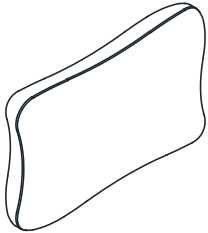
# LOVESEAT



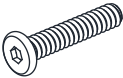

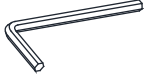
**CAUTION:** This Loveseat is NOT a TOY.  
Keep your child / children at bay during the assembly process.  
For turning the Loveseat and to prevent damage to the Loveseat  
02 persons may be needed to execute this action



## Parts List

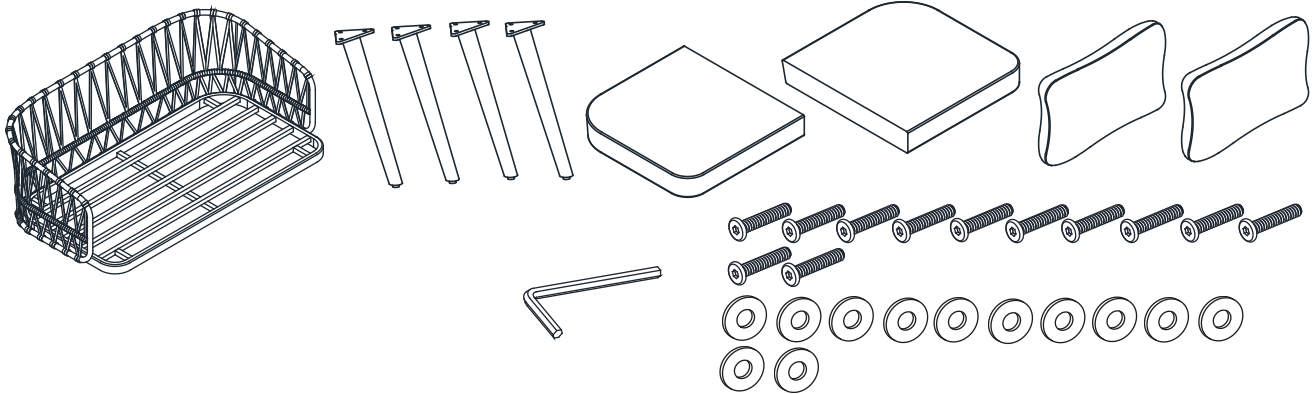
Label	Picture	Description	QTY
B		Seat Frame	1
C		Leg	4
H		Left Seat Cushion	1
I		Right Seat Cushion	1
J		Back Cushion	2

## Hardware

Label	Picture	Description	QTY
①		Bolt (M6 x 15mm)	12
③		Washer (Ø6,5x16x1mm)	12
④		Allen Wrench	1

# Assembly Preparation

Before Beginning Assembly:



- Read instructions, cover to cover-



- Have 2 adults on hand for assembly-



- Do not assemble on flooring or carpet-



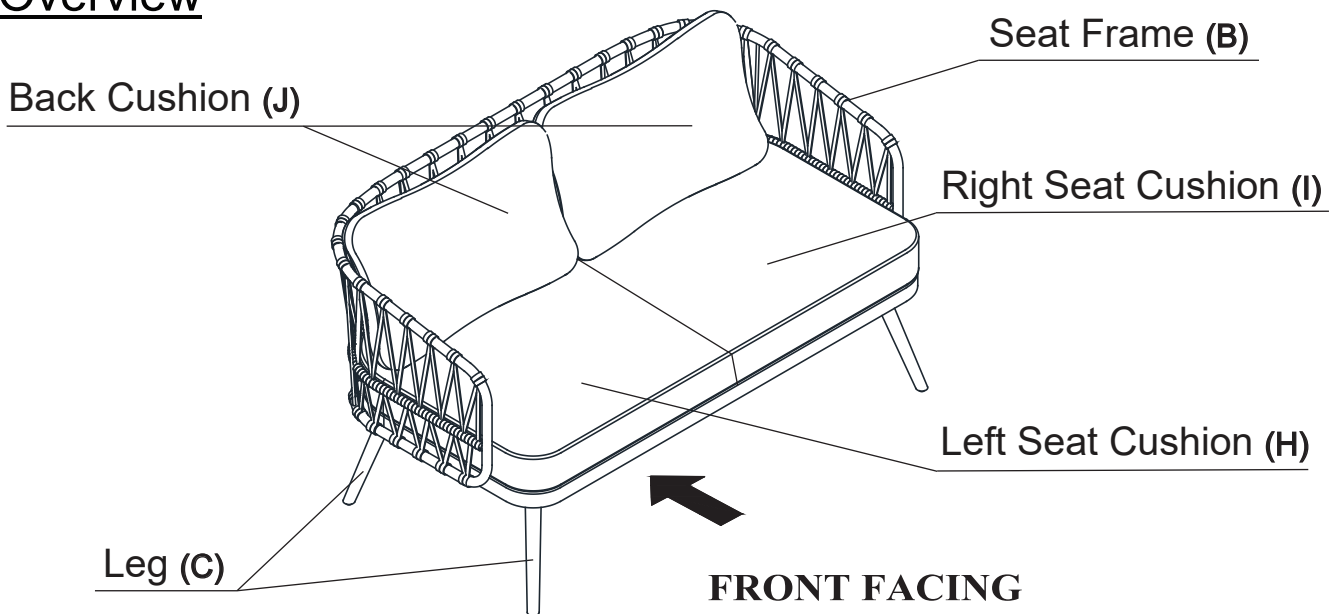
- Assemble on a clean non-marring surface (packing foam)-



- Save all packaging until finished-

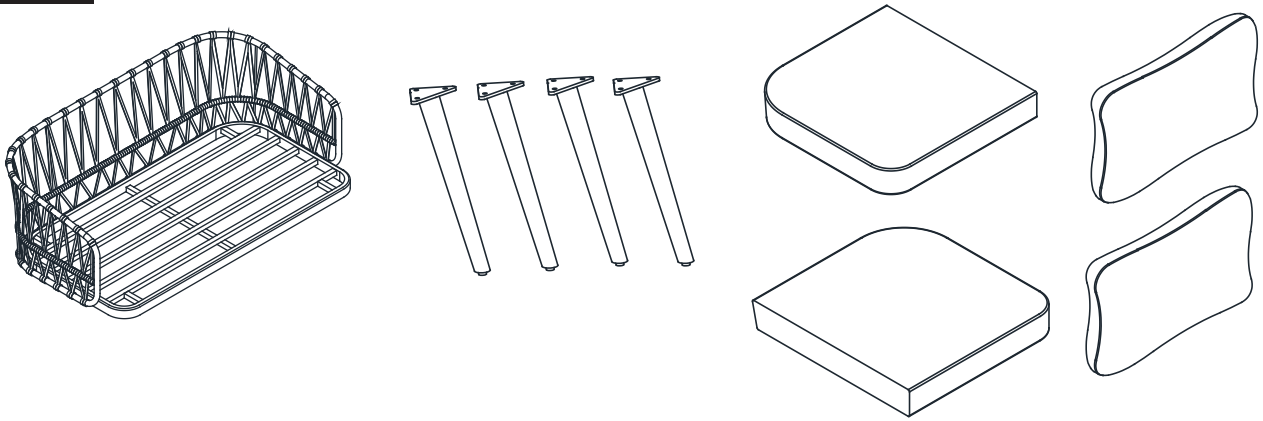
# Assembly Steps

## Overview



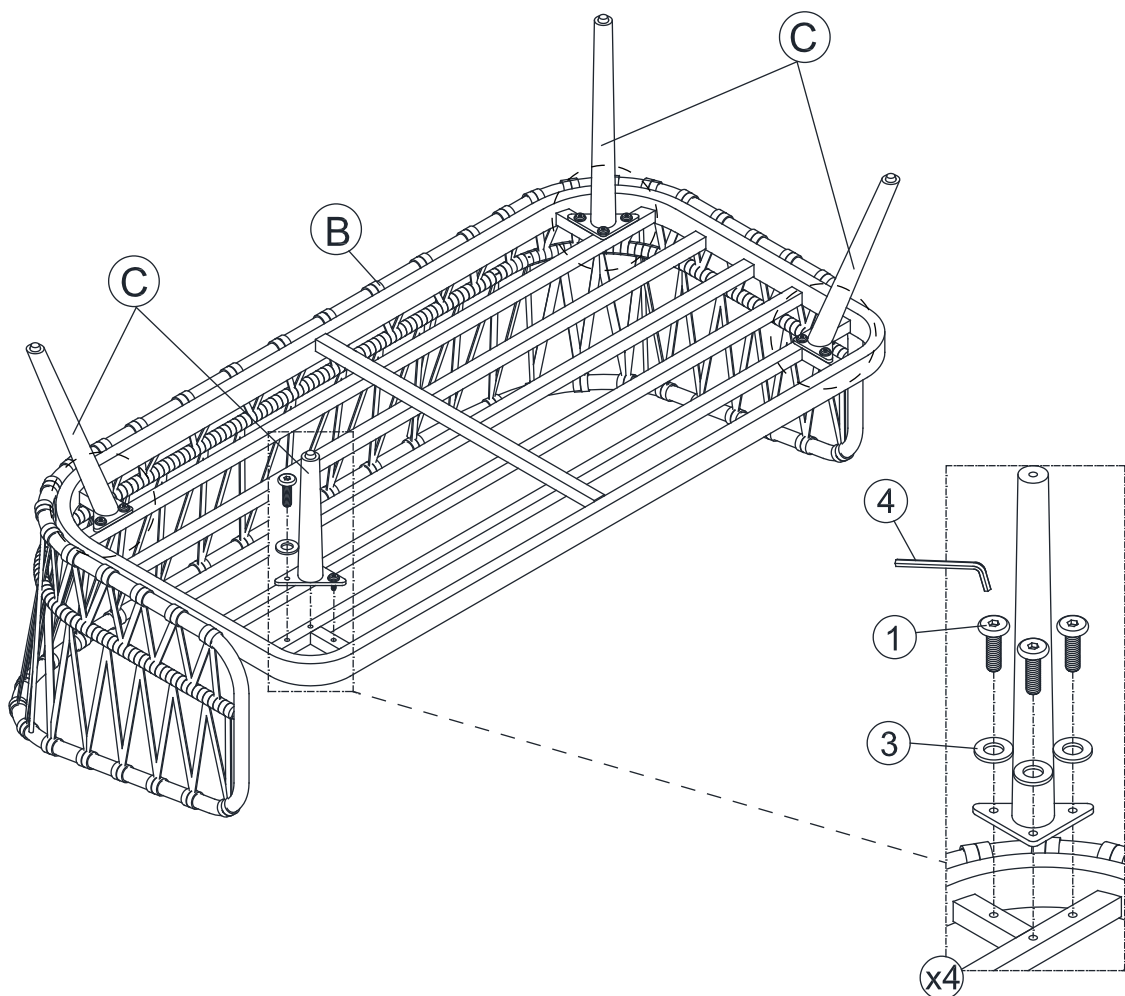
This Loveseat has multiple parts and may require up to 20 minutes to assemble. To give you an overview of the Loveseat, the above picture is to help you put the various parts into perspective . Please read through the instructions below to familiarise yourself with the parts and steps before assembly.

## Step 1



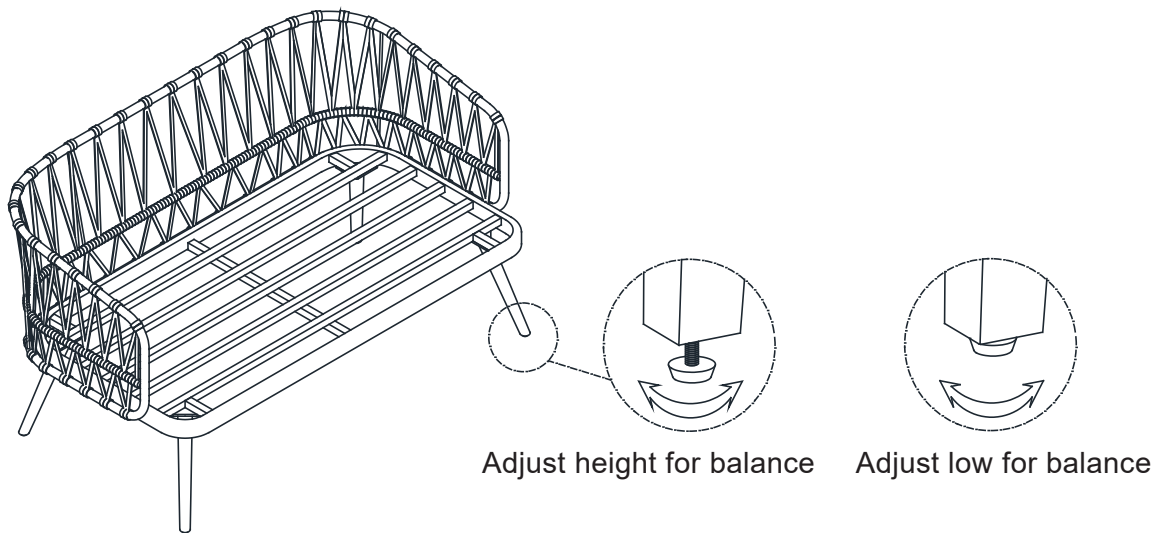
Unpack and place all parts on a clean, non-marring surface.

## Step 2



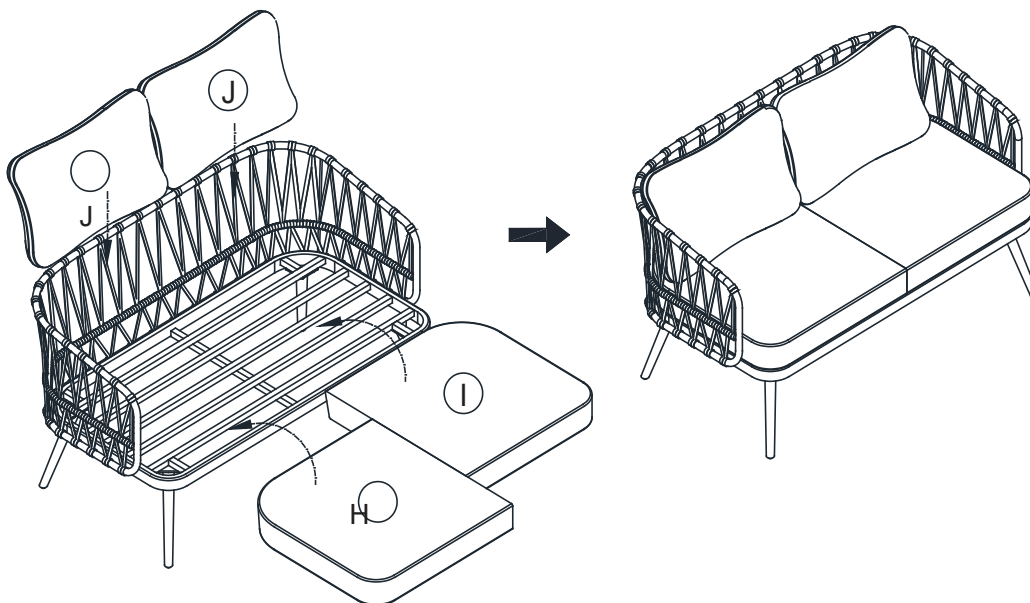
With assistance from your adult partner, please carefully upside down Seat Frame (B). Insert four Leg (C) to Seat Frame (B) by using Bolts (1) and Washer (3) as shown in the above picture. Fully tighten the Bolts.

### **Step 3**



In a sequential manner, tighten all Screws and Bolts at all joints. Place the Loveseat on a flat, level surface to make sure it is balance. CAUTION: When tightening these screws and bolts, tighten sequentially. DO NOT tighten any screw or bolt fully and then move towards the next one. This could cause the frame to warp. WARNING!! IF THE CHAIR IS NOT STABLE , IT COULD LEAD TO DAMAGING THE PRODUCT. Stand the Loveseat up in step 2. Carefully sit on the Loveseat. Adjust the Levellers until the Loveseat is level with the ground.

### **Step 4**

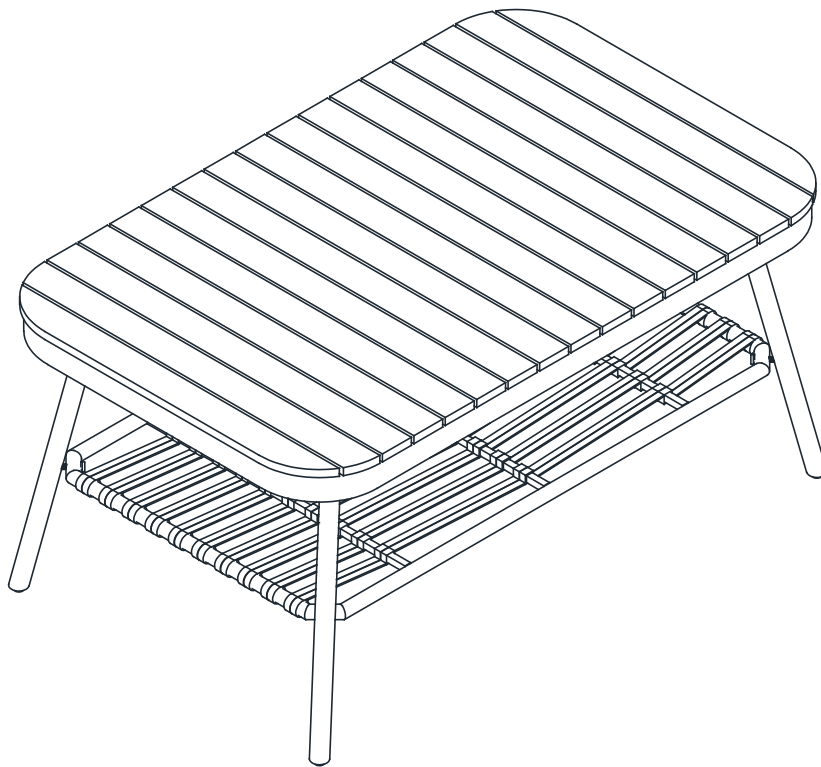


Place the Left, Right Seat Cushion (H) (I) and Back Cushions (J) on the Loveseat as shown above. Your Chair is ready to be used.

**Caution: You must read this before you proceed**

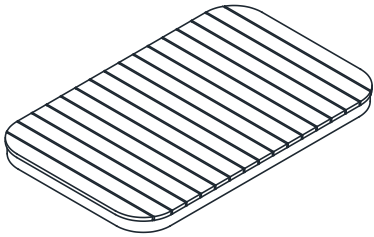
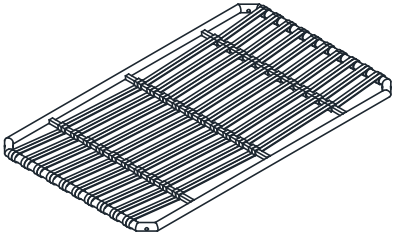

**Please look underneath the Seat Panel for hardware packs**

# TABLE


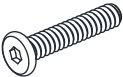
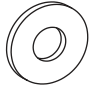
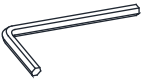


**CAUTION:** This Table is NOT a TOY.  
Keep your child / children at bay during the assembly process.  
For turning the Table and to prevent damage to the Table, 02 persons may be needed to execute this action

## Parts List

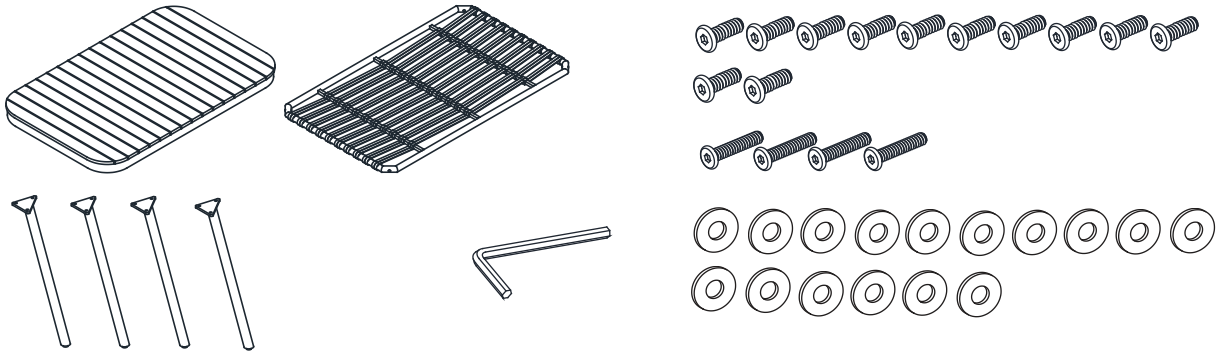
Label	Picture	Description	QTY
D		Table Top	1
E		Shelf	1
F		Leg	4

## Hardware

Label	Picture	Description	QTY
①		Bolt (M6 x 15mm)	12
②		Bolt (M6 x 35mm)	4
③		Washer (Ø6,5x16x1mm)	16
④		Allen Wrench	1

# Assembly Preparation

Before Beginning Assembly:



- Read instructions, cover to cover-



- Have 2 adults on hand for assembly-



- Do not assemble on flooring or carpet-



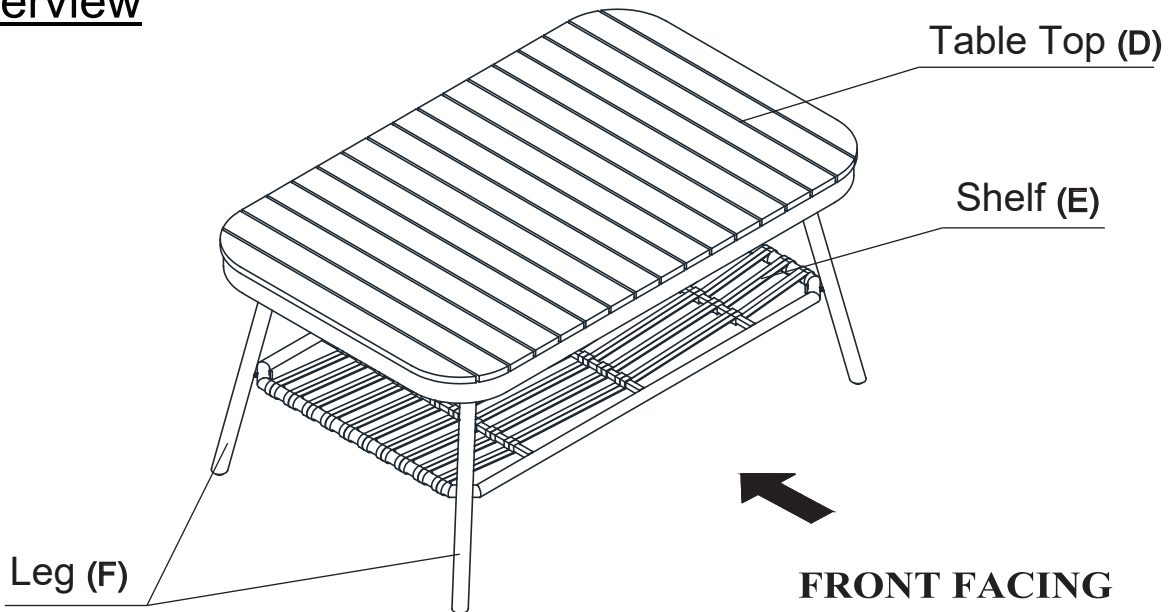
- Assemble on a clean non-marring surface (packing foam)-



- Save all packaging until finished-

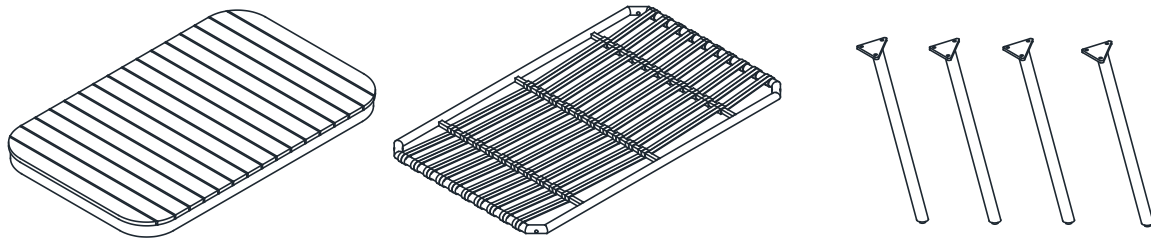
# Assembly Steps

## Overview



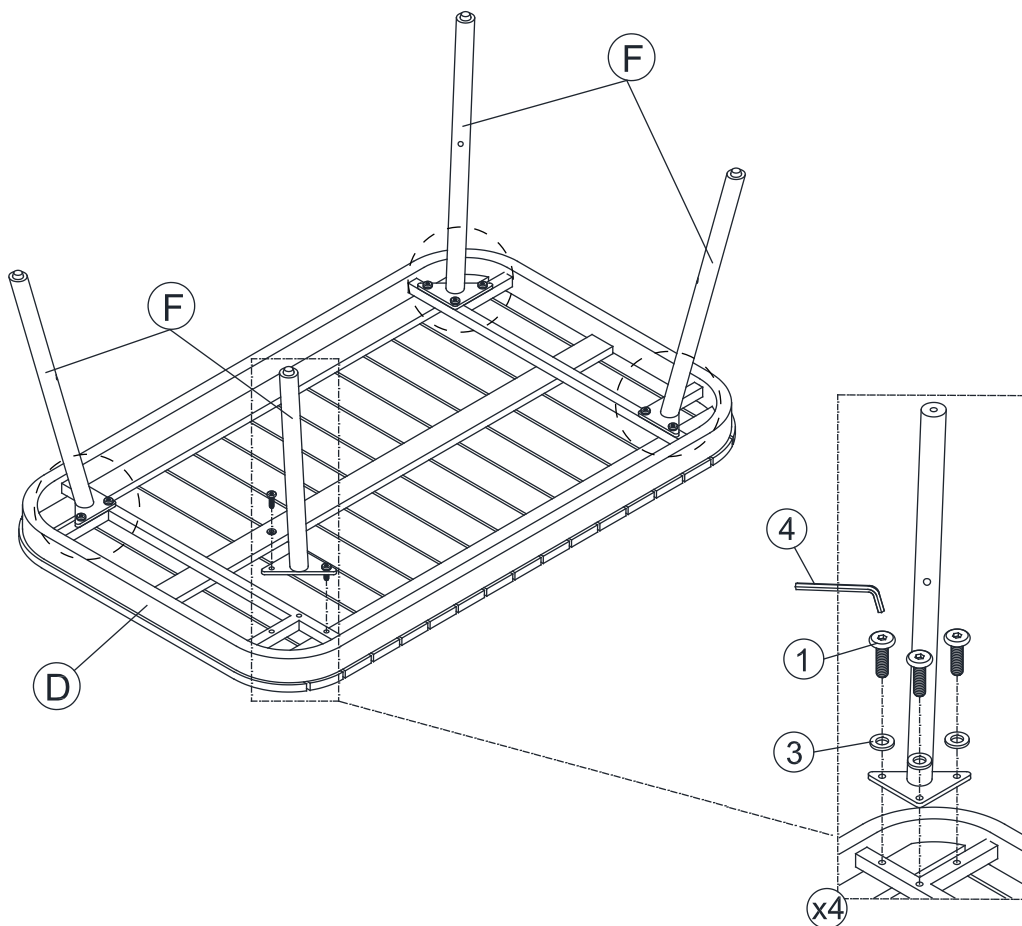
This Table has multiple parts and may require up to 25 minutes to assemble. To give you an overview of the Table, the above picture is to help you put the various parts into perspective. Please read through the instructions below to familiarise yourself with the parts and steps before assembly.

## Step 1



Unpack and place all parts on a clean, non-marring surface.

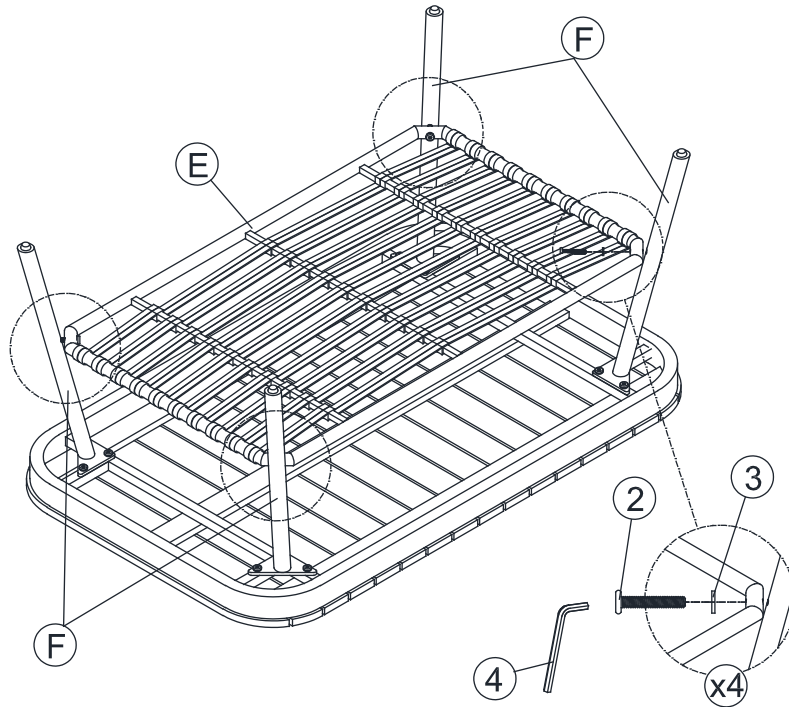
## Step 2



With assistance from your adult partner, please carefully upside down Table Top (D). Insert four Leg (F) to Table Top (D) by using Bolts (1) and Washer (3) as shown in the above picture. Do not fully tighten the Bolts.

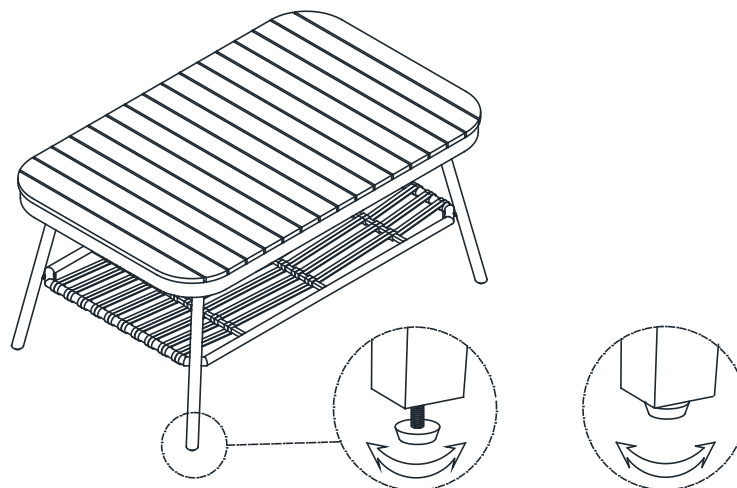


### Step 3



From step 2, Using the Allen Key (4), attach Shelf (E) into Leg (F) as shown above by using Bolts (2) and Washer (3). Fully tighten the Bolts.

### Step 4



Adjust height for balance    Adjust low for balance

In a sequential manner, tighten all Screws and Bolts at all joints. Place the Table on a flat, level surface to make sure it is balance. **CAUTION:** When tightening these screws and bolts, tighten sequentially. **DO NOT** tighten any screw or bolt fully and then move towards the next one. This could cause the frame to warp. **WARNING!! IF THE CHAIR IS NOT STABLE , IT COULD LEAD TO DAMAGING THE PRODUCT.** Turn the Table upright and adjust the levers at the bottom of the legs (if needed) to balance the Table. Your Table is ready to be used. This table can only used on a flat, level surface.

## Questions & Answers about Proposition 65

- What is Proposition 65?

Proposition 65 requires businesses to provide warnings to Californians about significant exposures to chemicals that cause cancer, birth defects or other reproductive harm. These chemicals can be in the products that Californians purchase, in their homes or workplaces, or that are released into the environment. By requiring that this information be provided, Proposition 65 enables Californians to make informed decisions about their exposures to these chemicals. Proposition 65 also prohibits California businesses from knowingly discharging significant amounts of listed chemicals into sources of drinking water.

Proposition 65 requires California to publish a list of chemicals known to cause cancer, birth defects or other reproductive harm. This list, which must be updated at least once a year, has grown to include approximately 900 chemicals since it was first published in 1987.

- What types of chemicals are on the Proposition 65 list?

The list contains a wide range of naturally occurring and synthetic chemicals that include additives or ingredients in pesticides, common household products, food, drugs, dyes, or solvents. Listed chemicals may also be used in manufacturing and construction, or they may be byproducts of chemical processes, such as motor vehicle exhaust.

- What does a warning mean?

If a warning is placed on a product label or posted or distributed at a workplace, a business, or in rental housing, the business issuing the warning is aware or believes that it is exposing individuals to one or more listed chemicals.

By law, a warning must be given for listed chemicals unless the exposure is low enough to pose no significant risk of cancer or is significantly below levels observed to cause birth defects or other reproductive harm.

- Where can I get more information on Proposition 65?

If you have specific questions on the administration or implementation of Proposition 65, you can contact OEHHA's Proposition 65 program at [P65.Questions@oehha.ca.gov](mailto:P65.Questions@oehha.ca.gov), or by phone at (916) 445-6900.