












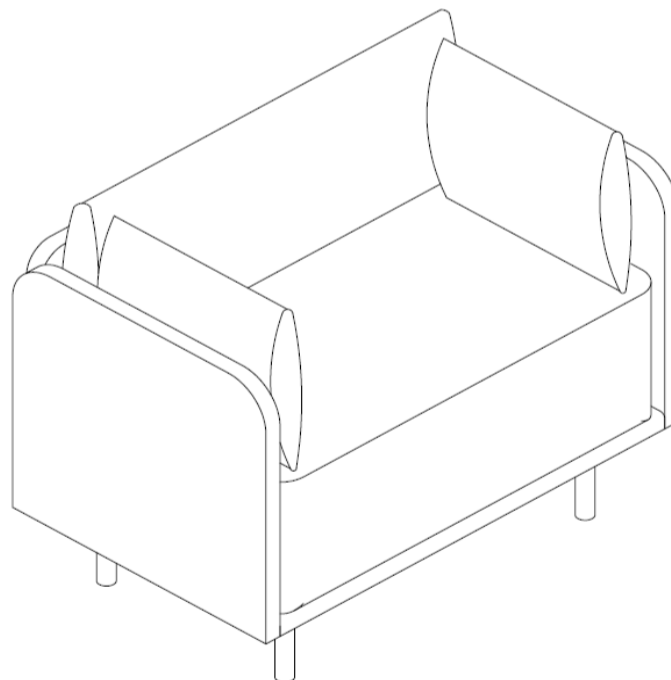
# Assembly Instructions

**Caution : You must read this before you proceed**

## Care & Maintenance

- ⊘  ● Not for commercial use. For residential use only.
  - ✓  ● Furniture may scratch floors. We recommend using furniture pads to protect your floors.
  - ⊘  ● Do not put hot items directly on furniture surface.
  - ⊘  ● Do not clean furniture with harsh cleansers or polish.
  - ⊘  ● Do not place furniture under direct sunlight.
  - ⊘  ● Do not place furniture near heating or cooling vents.
  - ⊘  ● Do not write on furniture without a padded barrier to protect the surface.
  - ⊘  ● Do not place furniture outside . For indoor use only.
  - ⊘  ● Stains may be removed with mild soap solution and damp cloth.
  - ⊘  ● Children should not climb or jump on the furniture.
- ✓  ● Dust and pick-up spills using a clean, non-colored, lint-free cloth.

## CHAIR



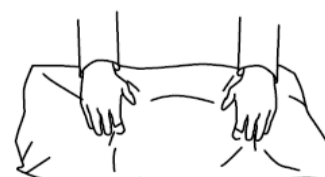
Your cushions come vacuum packed and sealed for shipping. To restore the cushion's original shape, follow the steps below.



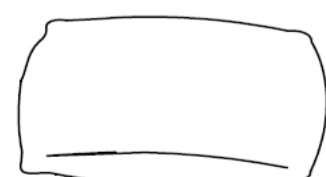
Open the vacuum bag carefully.



Press and tap with both hands from the side to fully inhale air.



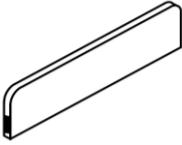
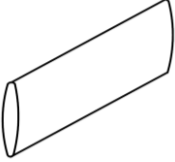
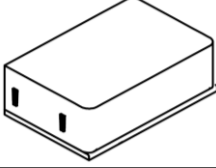
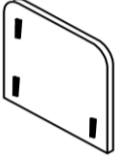

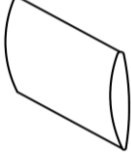

Press and tap with both hands from the front to fully inflate.






Carefully smooth out each section until the surface is even.

After unpacking, place them somewhere dry and ventilated. After about 72-96 hours, it can be restored to its best-use condition

# Parts List

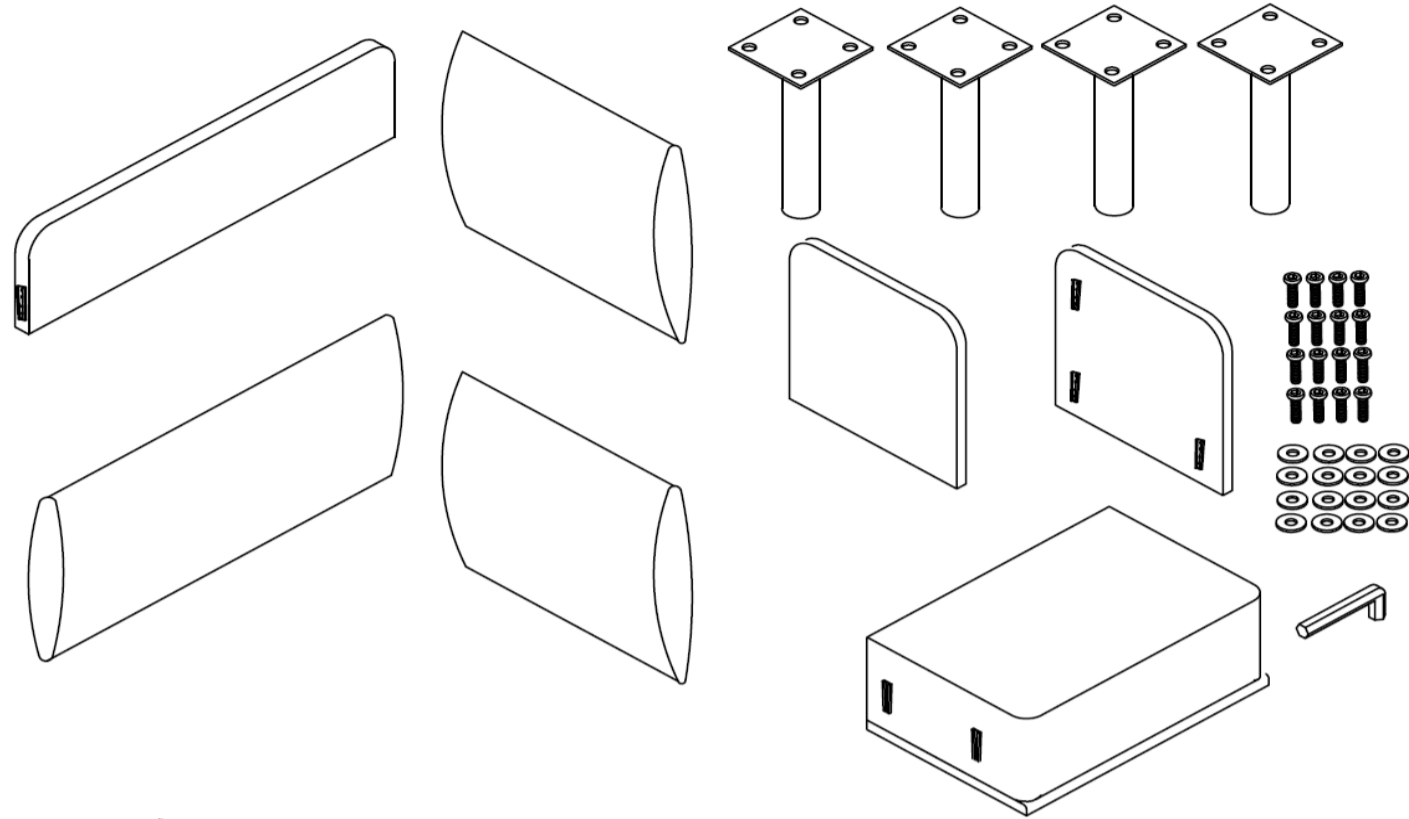
Label	Picture	Description	QTY
A		Chair Backrest	1
B		Back Cushion	1
C		Chair Base	1
D		Armrest R	1
E		Armrest L	1
F		Throw Pillow	2
G		Leg	4

# Hardware

Label	Picture	Description	QTY
①		Bolt(M8 x 25mm)	16
②		Washer φ8*φ16	16
③		Allen Key	1

# Assembly Preparation

Before Beginning Assembly:



- Read instructions, cover to cover-



- Have 2 adults on hand for assembly-



- Do not assemble on flooring or carpet-

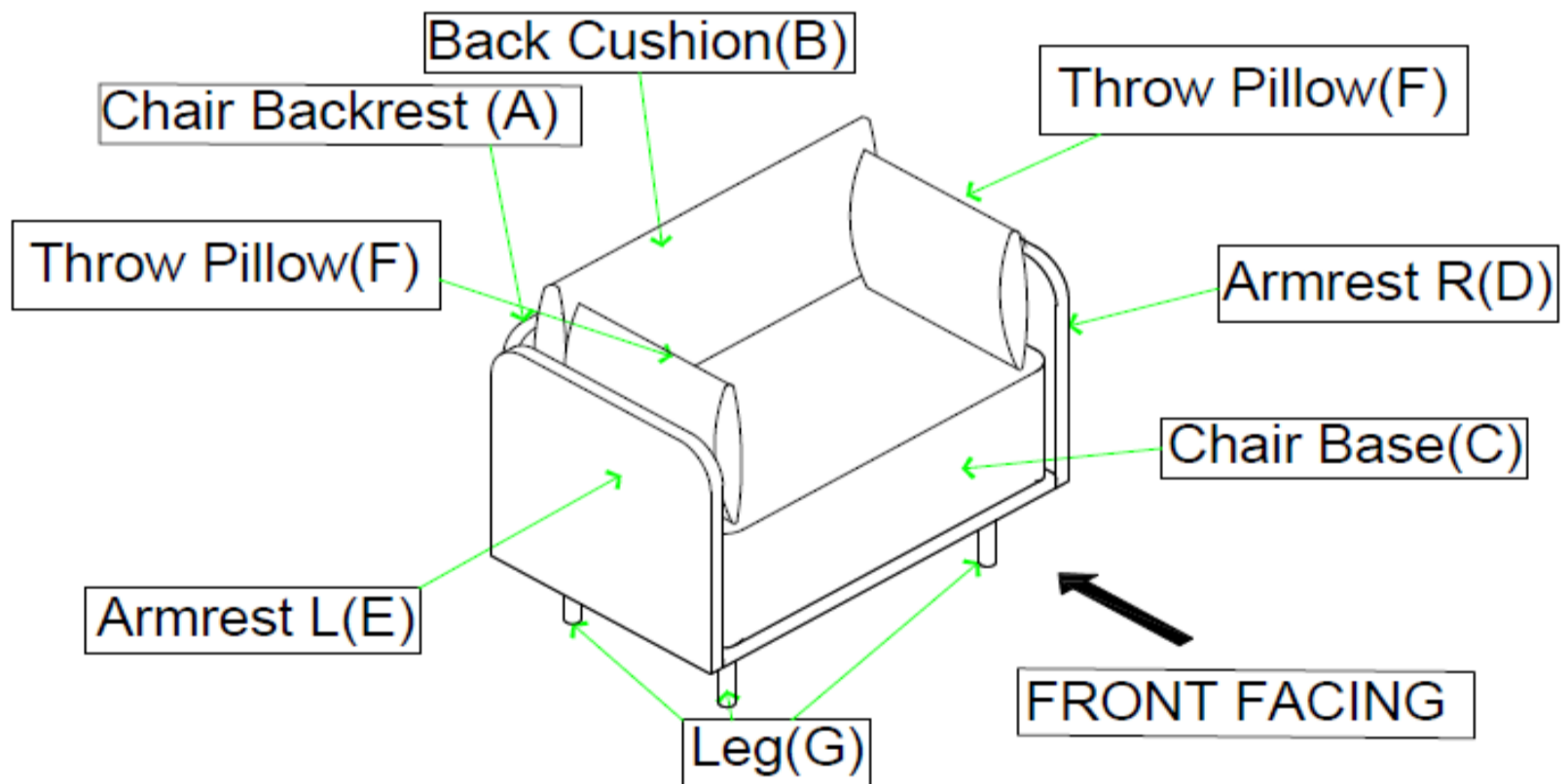


- Assemble on a clean non-marring surface (packing foam)-



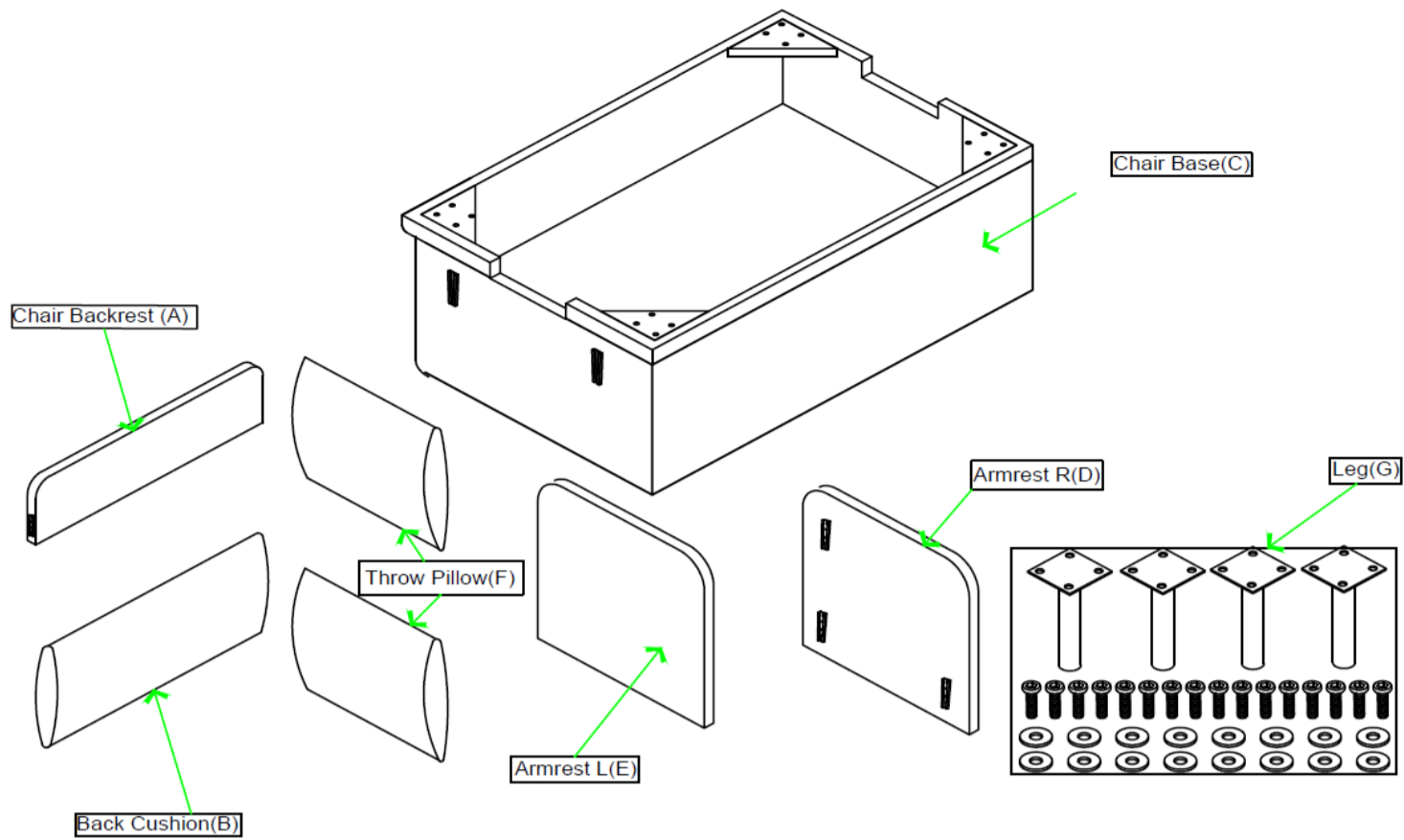
- Save all packaging until finished-

## Overview



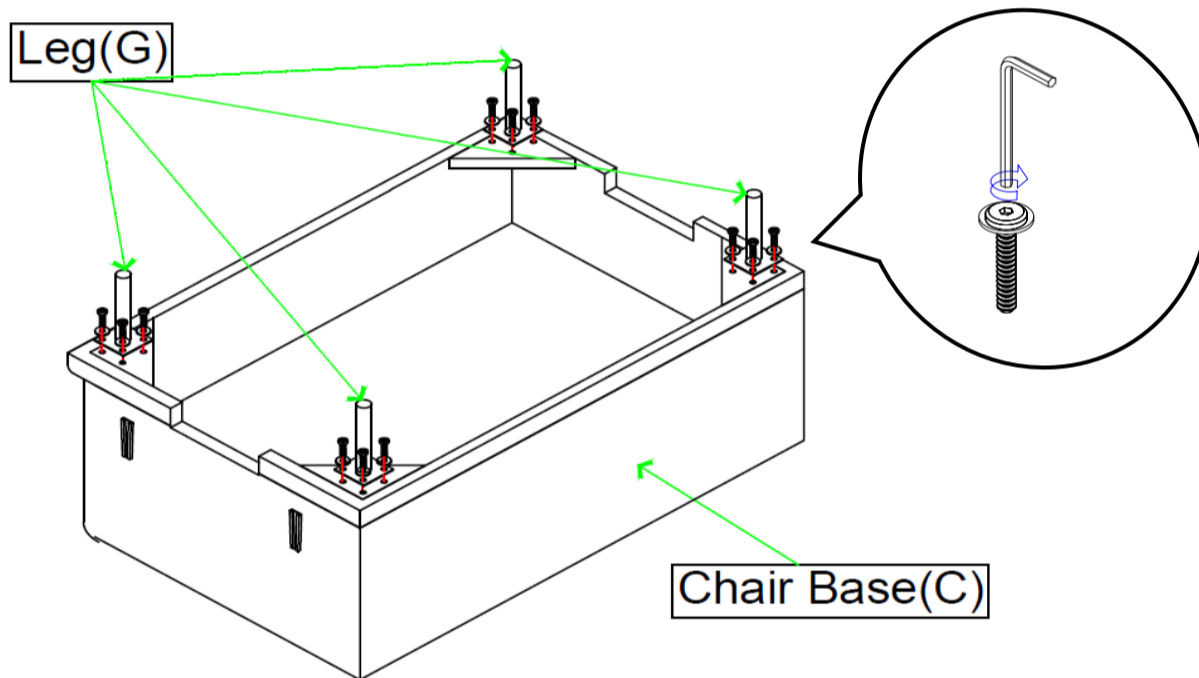
This Chair has multiple parts and may require up to 30 minutes to assemble. To give you an overview of the chair parts, the above picture is to help you put the various chair parts into perspective. Please read through the instructions to familiarise yourself with the parts and steps before assembly.

## Step 1



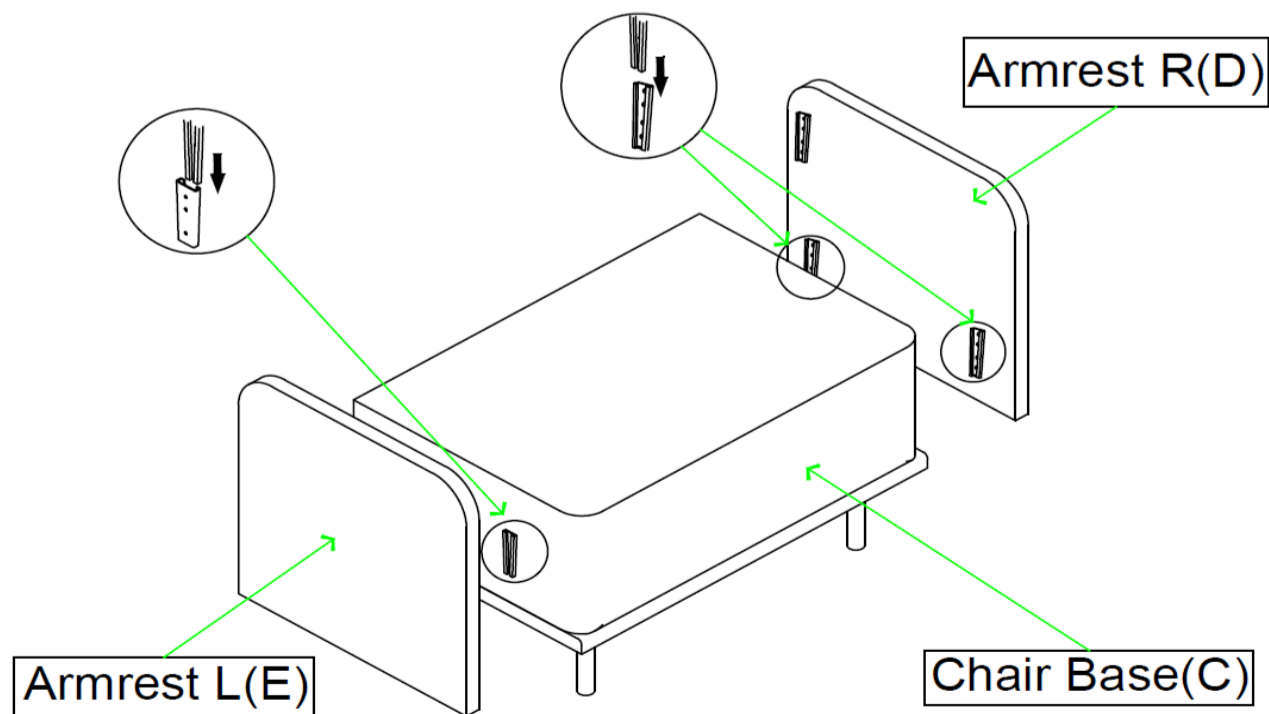
Place chair base (C) face down on a clean, frictionless surface. Remove chair backrest (A), Back Cushion (B), armrest (D)(E), Throw pillow (F) and legs (G) from chair base (C).

## Step 2



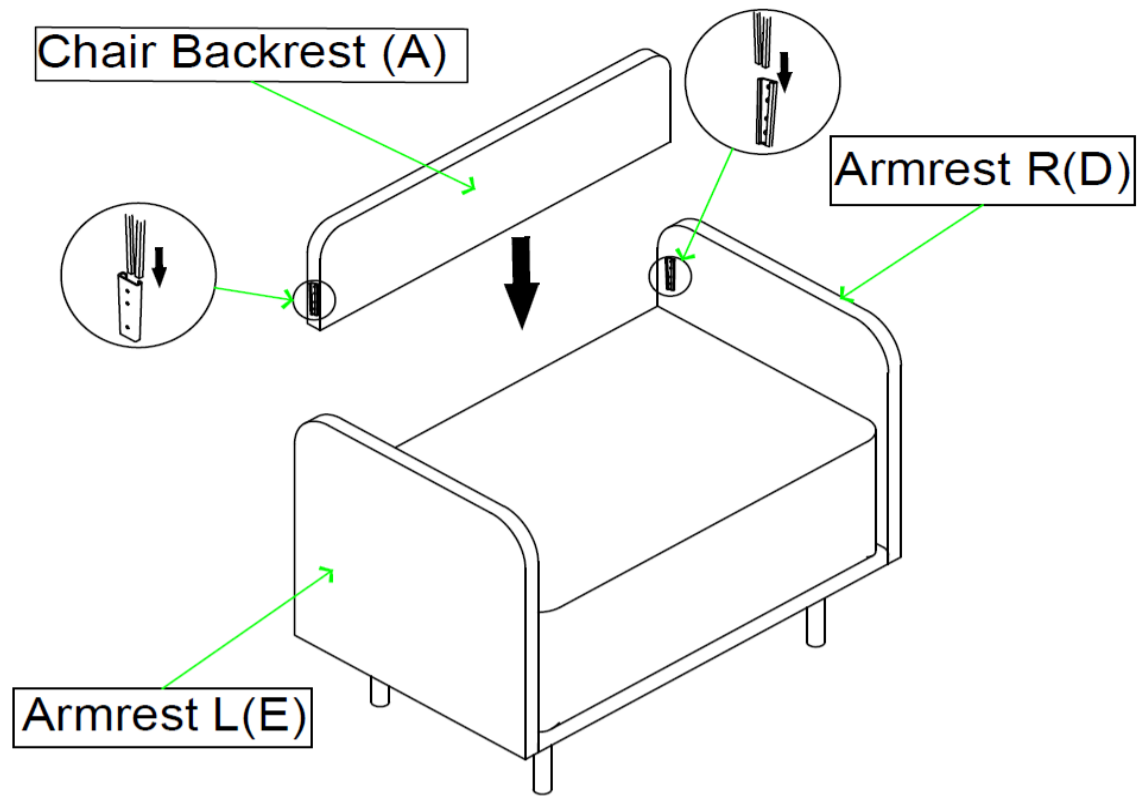
Place the chair base (C) bottom side up. Place the chair base (C) on a clean, friction-free surface. Attach the chair legs (G) to the bottom of the chair base (C). Firmly But Gently

## Step 3



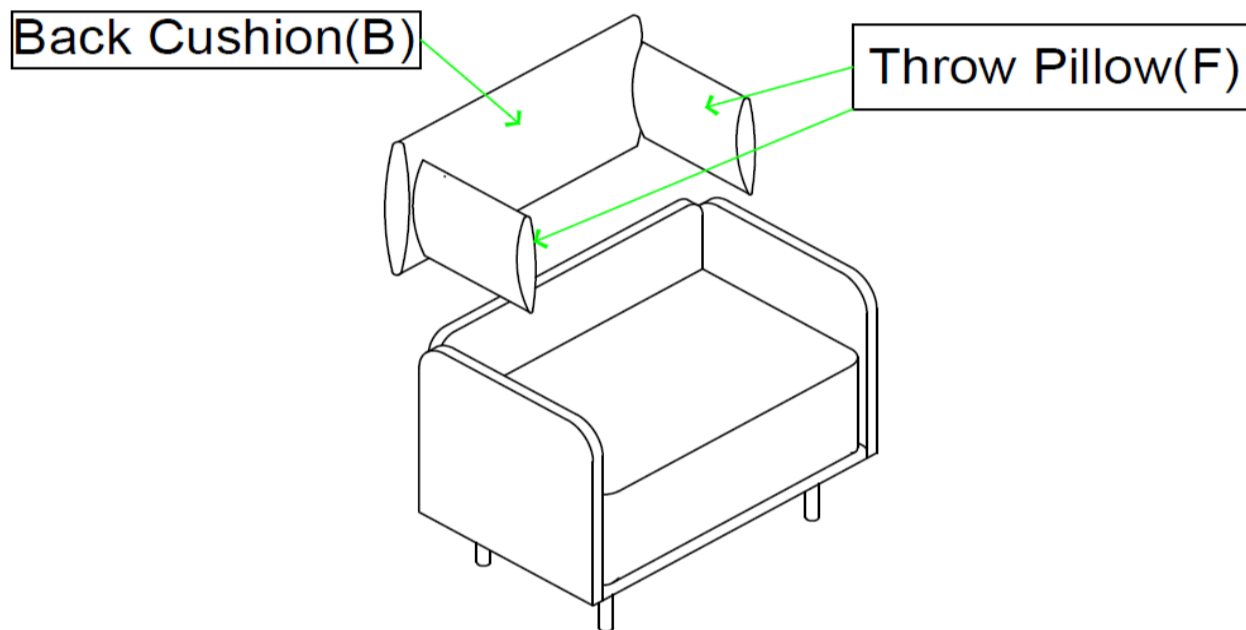
Place the chair base (C) face up. Attach the armrests (D)(E) to the chair base (C). Firmly But Gently

Step 4



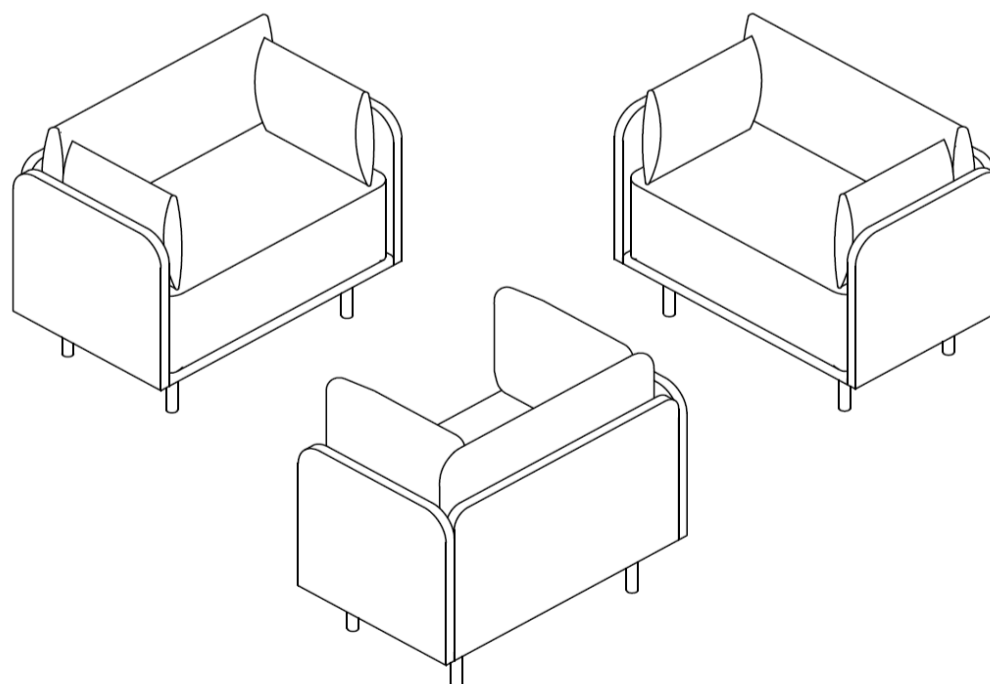
Attach the backrest (A) to the seat (C), use the inserts to attach the chair backrest(A) to the armrests(D)(E), Apply force but gently

Step 5



Place the back cushion(B) and throw pillow(F) in the positions shown in the sofa illustration

Step 6



Your Chair is ready for use.

**Note: After assembly and before using the chair, inspect to make sure all parts are properly connected and securely fastened.**