











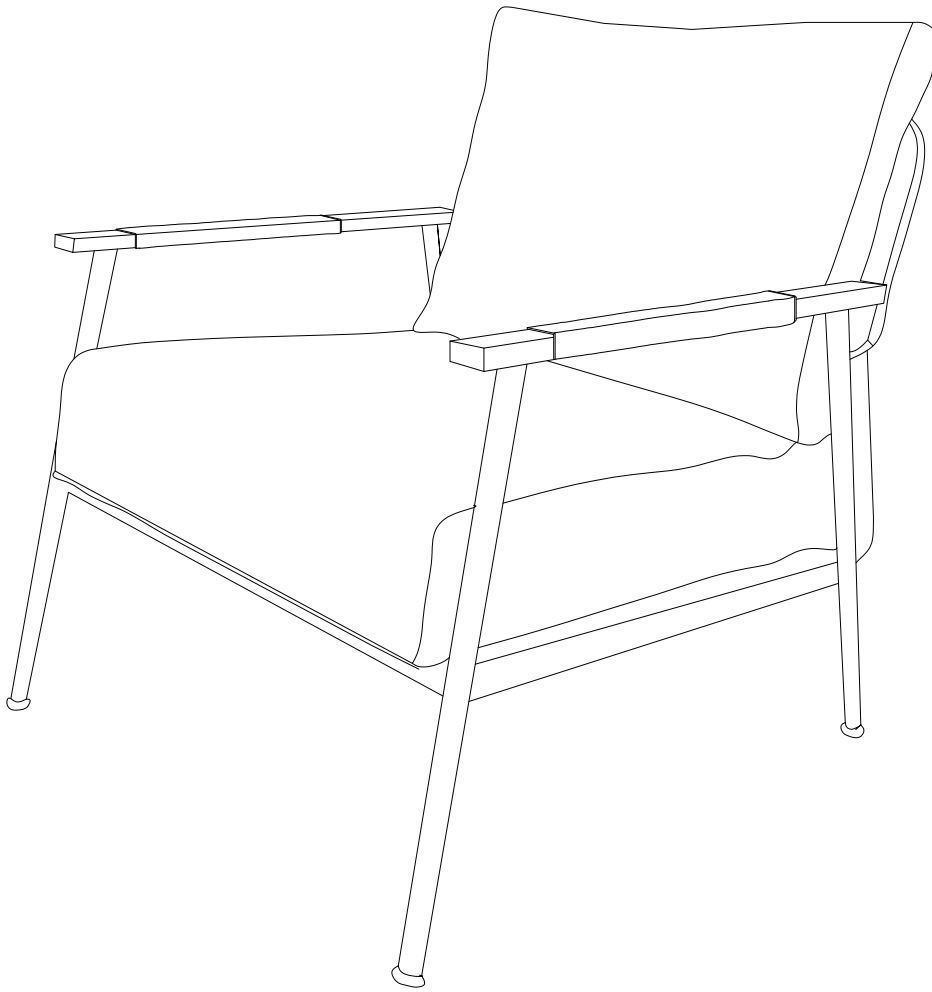
Assembly Instructions

Caution : You must read this before you proceed

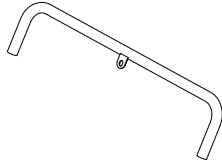

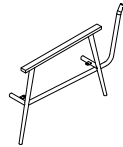
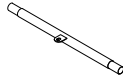

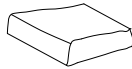
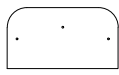

Care & Maintenance

- ⊘  ● Not for commercial use. For residential use only.
- ✓  ● Furniture may scratch floors. We recommend using furniture pads to protect your floors.
- ⊘  ● Do not put hot items directly on furniture surface.
- ⊘  ● Do not clean furniture with harsh cleansers or polish.
- ⊘  ● Do not place furniture under direct sunlight.
- ⊘  ● Do not place furniture near heating or cooling vents.
- ⊘  ● Do not write on furniture without a padded barrier to protect the surface.
- ⊘  ● Do not place furniture outside. For indoor use only.
- ⊘  ● Stains may be removed with mild soap solution and damp cloth.
- ⊘  ● Children should not climb or jump on the furniture.
- ✓  ● Dust and pick-up spills using a clean, non-colored, lint-free cloth.


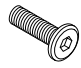
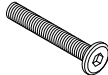


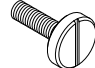
Lounge Chair



Parts List

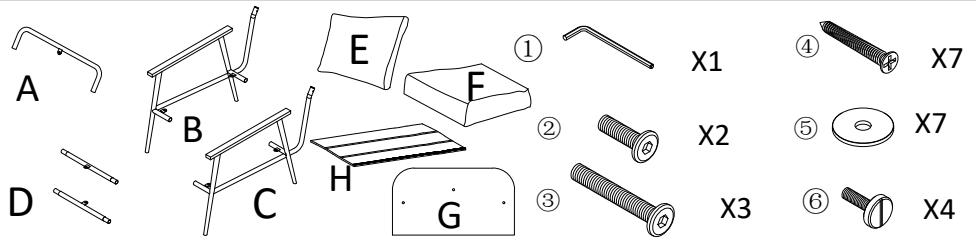
Label	Picture	Description	QTY
A		Metal Top	1
B		Metal Leg (Left)	1
C		Metal Leg (Right)	1
D		Metal Support	2
E		Back Rest	1
F		Cushion Seat	1
G		Back Rest Board	1
H		Armchair's Fabric	2

Hardware

Label	Picture	Description	QTY
①		Allen Key (M4)	1
②		Bolt(M6*20mm)	2
③		Bolt(M6*40mm)	3
④		Chipboard Screw (M4*30mm)	7
⑤		Flat Washer(M6)	7
⑥		Adjuster	4

Assembly Preparation

Before Beginning Assembly:



- Read instructions, cover to cover-



- Have 2 adults on hand for assembly-



- Do not assemble on flooring or carpet-



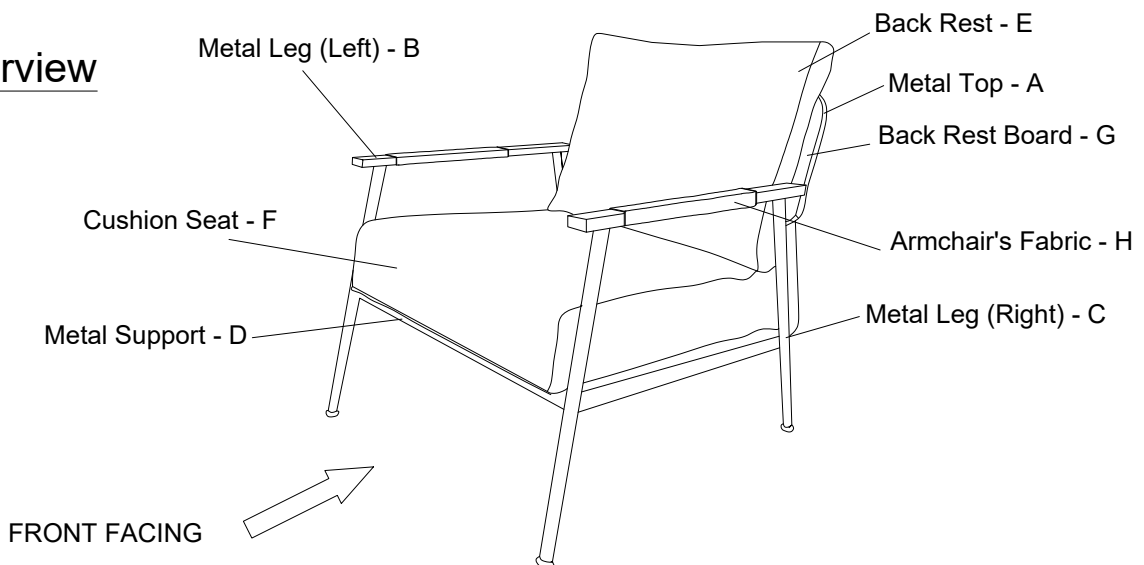
- Assemble on a clean non-marring surface (packing foam)-



- Save all packaging until finished-

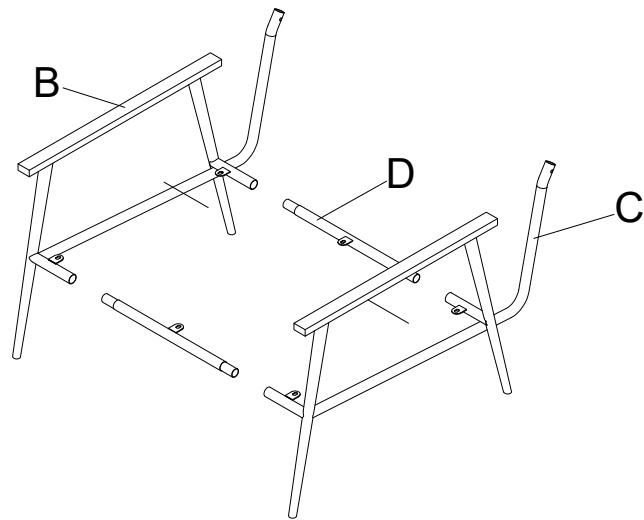
Assembly Steps

Overview



This Lounge Chair has multiple parts and may require up to 30 minutes to assemble. To give you an overview of the Lounge Chair parts, the above picture is to help you put the various parts into perspective. Please read through the instructions below to familiarise yourself with the parts and steps before assembly.

Step 1



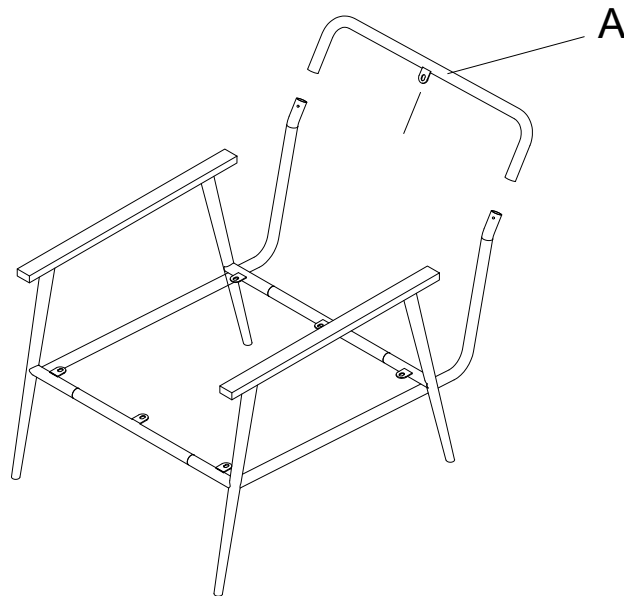
Place all the parts on a clean, non-marring surface.

Attach Metal Leg Left (B), Metal Support (D) and Metal Leg Right (C) together.

Friendly Notice:

Please make sure Metal Support (D) mounting face up.

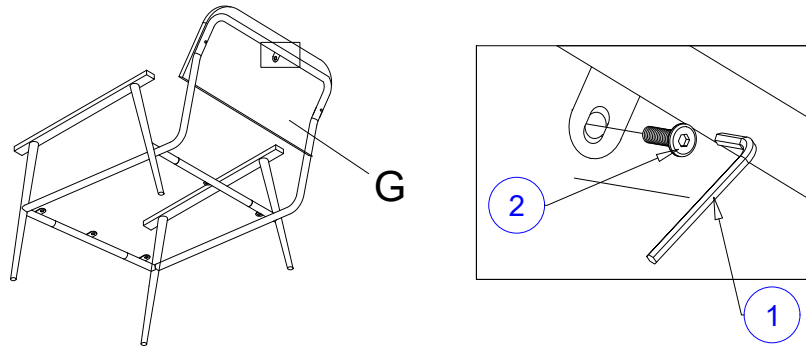
Step 2



You will now have the Metal Leg Left (B), Metal Support (D) and Metal Leg Right (C) with front facing.

Insert the Metal Top (A) to the upper corner of Metal Leg Left (B) and Metal Leg Right (C).

Step 3

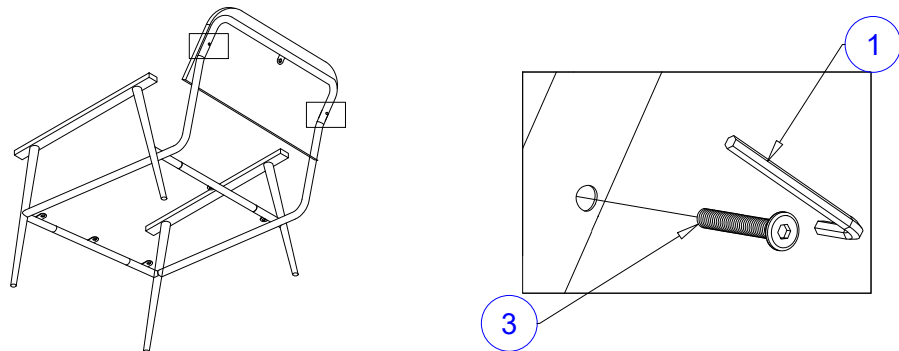


Next, attach Back Rest Board (G) to the Metal Top (A). Align the mounting positions on the Back Rest Board (G) and Metal Top (A). Lock in the middle mounting position, using Bolt (②) and Allen Wrench (①).

Friendly notice:

If the mounting positions cannot be aligned well which hinders the installation, then sway the Back Rest Board (G) lightly when locking the Bolts, this action should help prevent the Bolts from getting stuck and ensure a smooth assembly.

Step 4

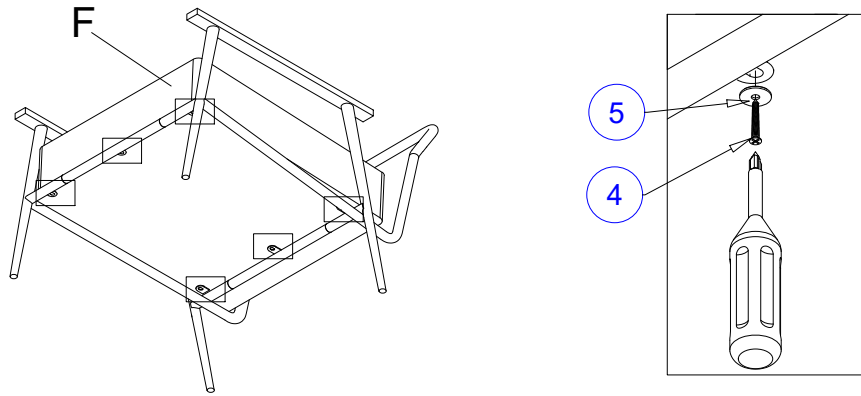


Lock in the middle mounting position, using Bolt (③) and Allen Wrench (①).

Friendly notice:

If the mounting positions cannot be aligned well which hinders the installation, then sway the Back Rest Board (G) lightly when locking the Bolts, this action should help prevent the Bolts from getting stuck and ensure a smooth assembly.

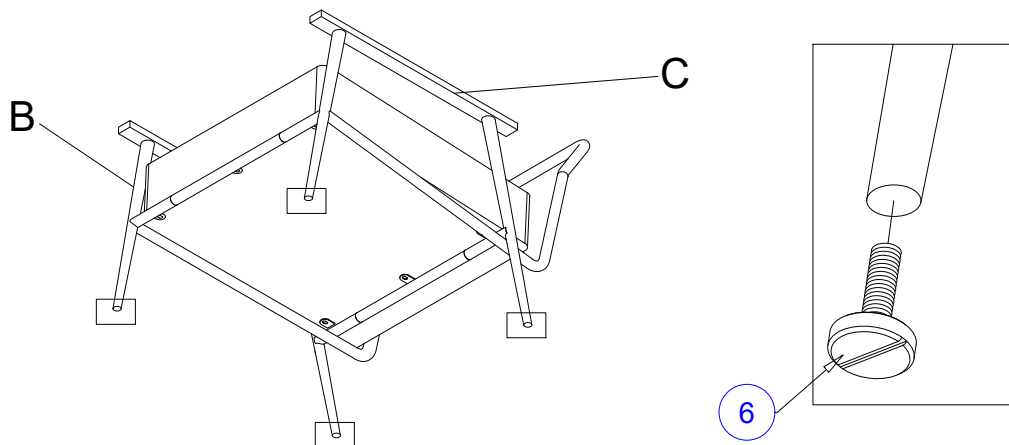
Step 5



Attach Cushion Seat (F) to the Metal Support (D), Metal Leg Right (C) and Metal Leg Left (B). Align the mounting positions on the Cushion Seat (F) with Metal Leg Left (C), Metal Leg Right (B) and Metal Support (D).

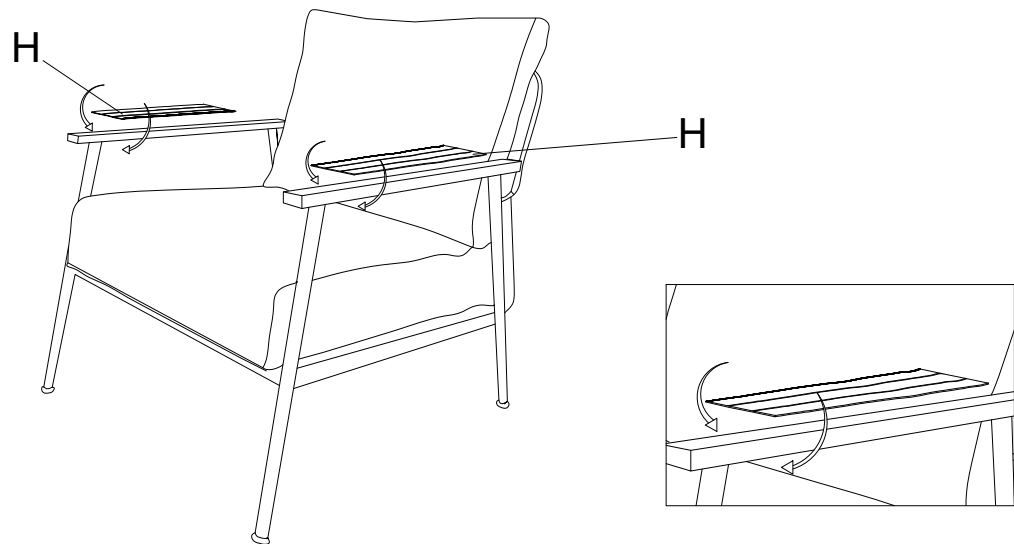
Lock in the middle mounting position, using Chipboard Screw (④) and Flat Washer (⑤).

Step 6



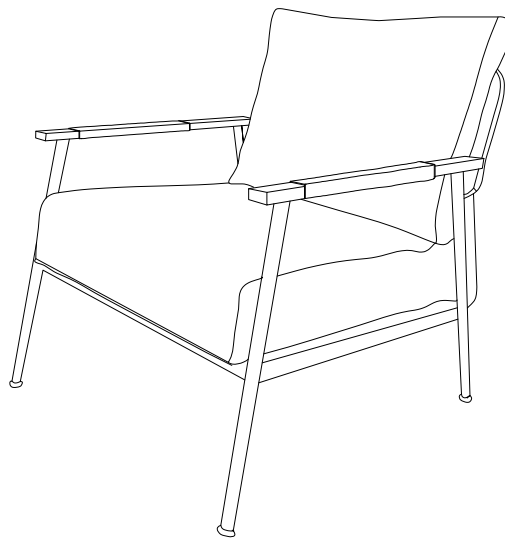
Mount Stopper (⑥) at the bottom of Metal Leg Left (B) and Metal Leg Right (C). Use your hand to tighten Stopper (⑥).

Step 7



Next, put on Armchair's Fabric (H) on the both side of arm chair.
Make sure both of Armchair's Fabric (H) are fit neatly.

Step 8



Your chair is ready for use.
This Lounge Chair can only be used on a flat, level surface.