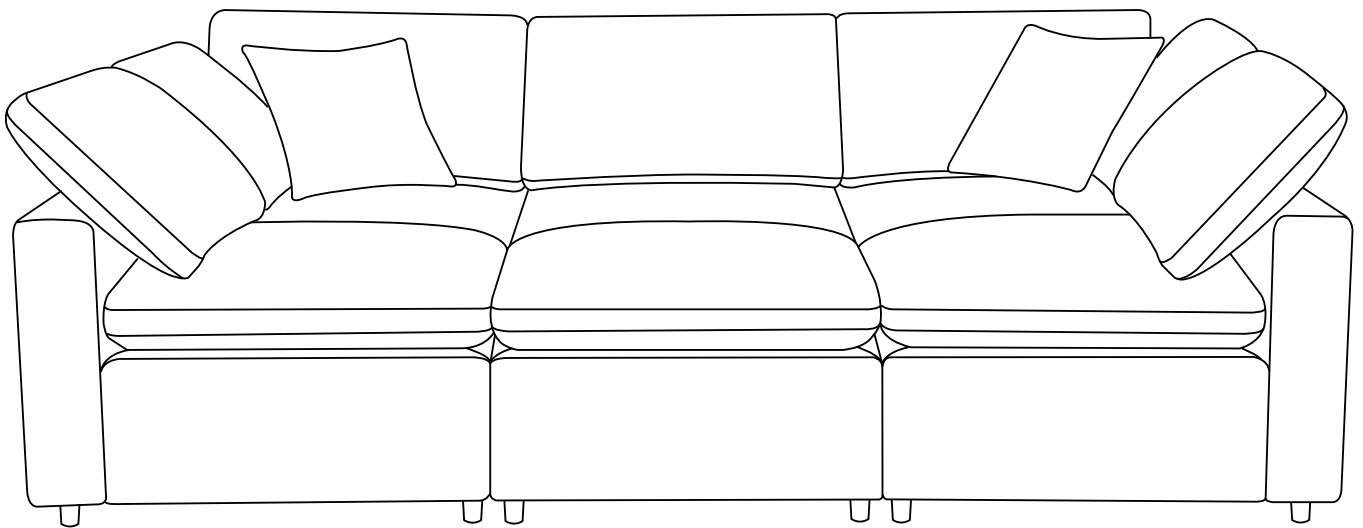


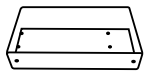
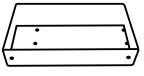
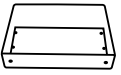
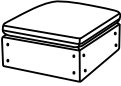




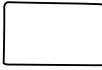






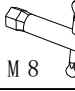
# ASSEMBLY INSTRUCTIONS



## Return & Warranty policy:

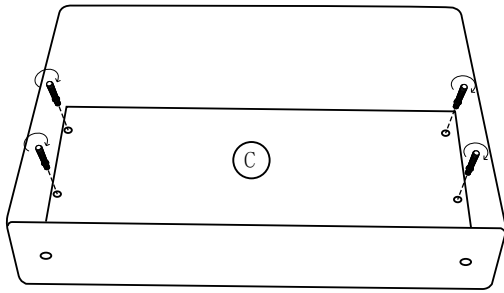
- We strive to offer the highest quality products, and we also try our best to satisfy each and every customer that orders from us with replacement parts/or service as needed.
- If the items is damaged or defective, please take photos as evidence for replacements and refunds.
- Please do not return to store, contact the seller if you have any troubles with this product.

# HARDWARE LIST:

|   |  |       |   |
|---|--|-------|---|
| A |                   | 1PC   | N723P171442: C*1 D*1 H*1                                |
| B |                   | 1PC   | N723P171445: C*1 E*1 H*1                                |
| C |                   | 5PCS  | N723P171446: C*1 F*1 H*1                                |
| D |                   | 1PC   | N723P171451: C*1 F*1 H*1                                |
| E |                   | 1PC   | N723P171453: C*1 F*1 H*1                                |
| F |                   | 3PCS  | N723P171455:G*1 I*2 J*2 K*28<br>L*28 M*28 N*28 O*28 P*1 |
| G |                   | 1PC   |   |
| H |                 | 5PCS  | N723P171457: A*1 B*1                                    |
| I |                 | 2PCS  |   |
| J |                 | 2PCS  |   |
| K |                 | 28PCS |   |
| L |                 | 28PCS |   |
| M | <br>M 8*60M M   | 28PCS |   |
| N | <br>M 8         | 28PCS |   |
| O | <br>M 8*30*2M M | 28PCS |   |
| P | <br>M 8         | 1PC   |   |
|   |  |       |   |

①

X 5

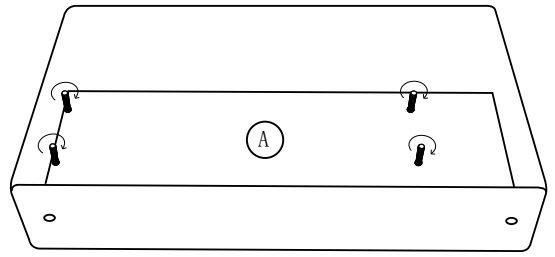


As shown, insert screws into the hole position and tighten clockwise.

M \*20

②

X 1

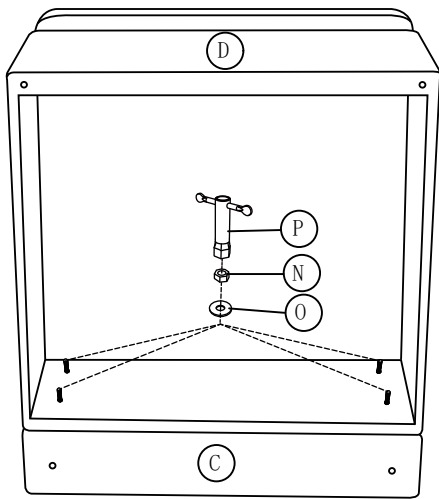


As shown, insert screws into the hole position and tighten clockwise.

M \*4

③

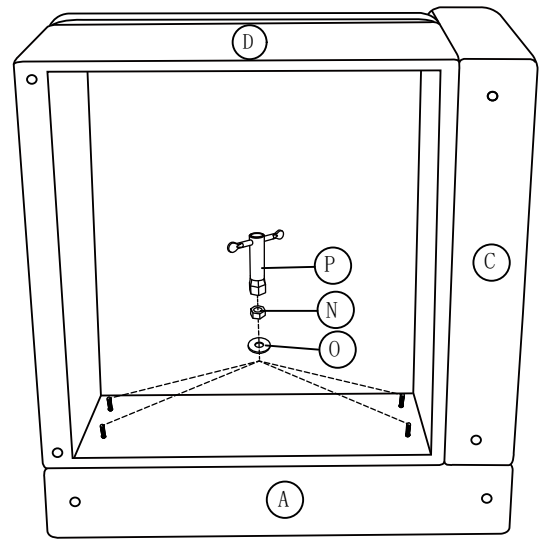
X 1



N\*4 Sequence the Washer and Nut as shown, then tighten clockwise with socket wrench.  
O\*4

④

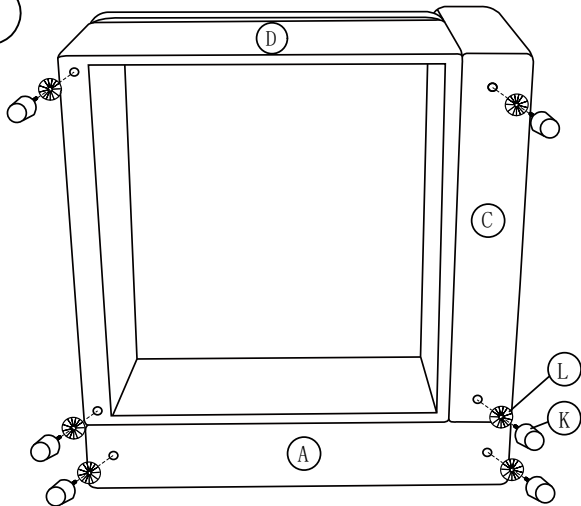
X 1



N\*4 Sequence the Washer and Nut as shown, then tighten clockwise with socket wrench.  
O\*4

⑤

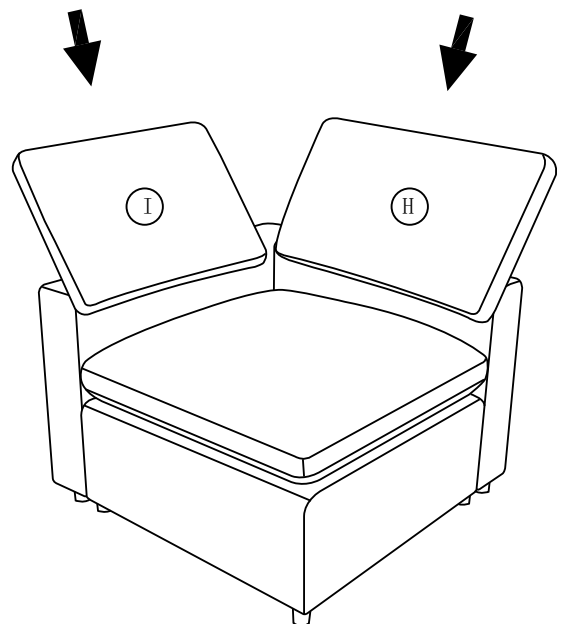
X 1



L\*4 Place one Plastic Washer on the Leg screw, then insert screw into the hole position. Tighten by turning the leg clockwise as shown.  
K\*4

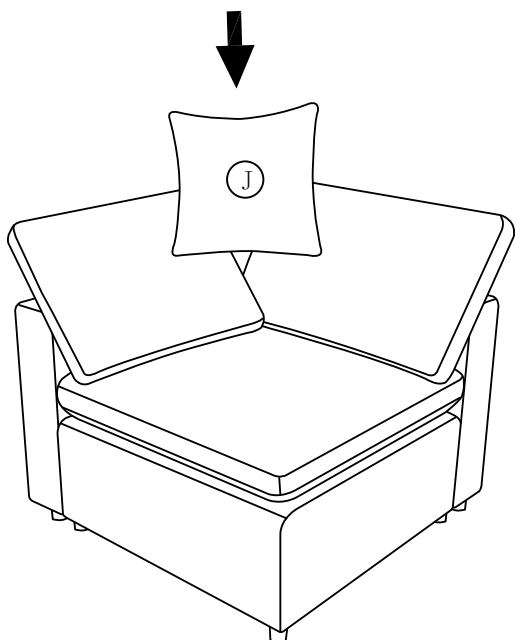
⑥

X 1



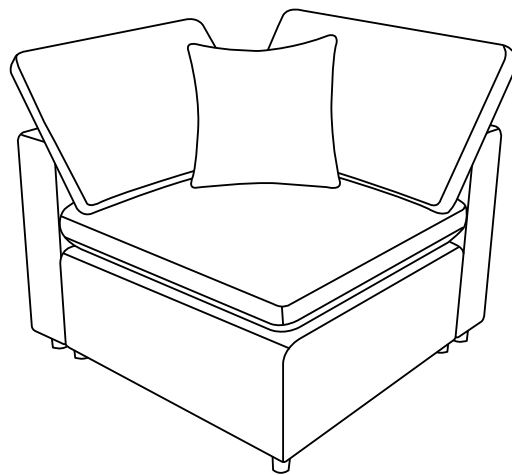
7

X 1



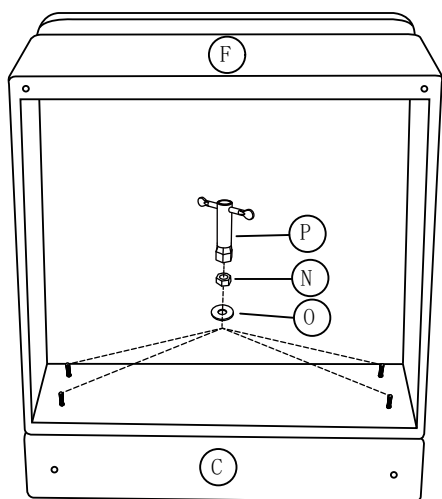
8

X 1



9

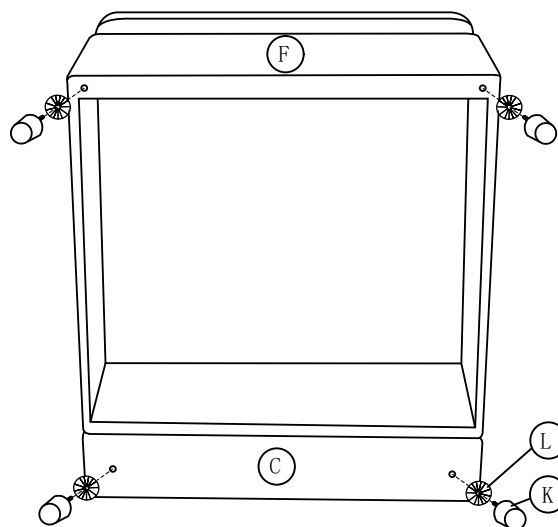
X 3



N\*12 Sequence the Washer and Nut as shown,  
O\*12 then tighten clockwise with socket wrench.

10

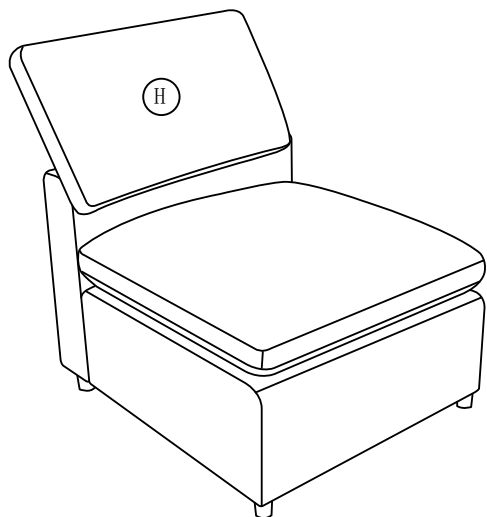
X 3



L\*12 Place one Plastic Washer on the Leg screw, then  
K\*12 insert screw into the hole position. Tighten by  
turning the leg clockwise as shown.

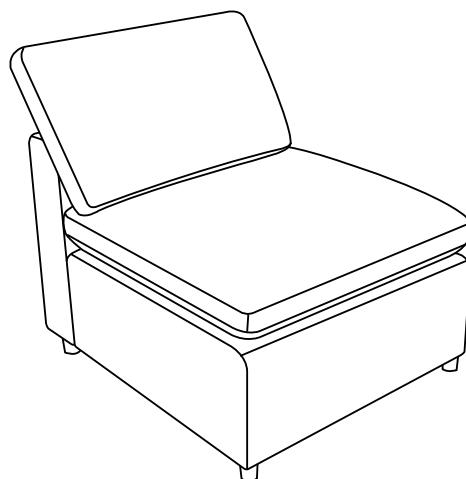
11

X 3



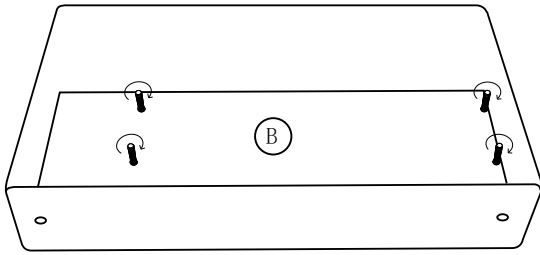
12

X 3



13

X 1

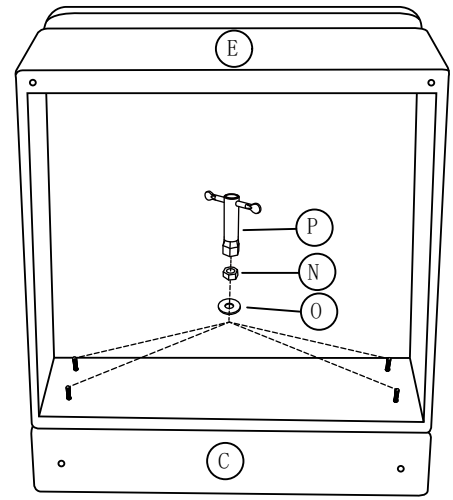


As shown, insert screws into the hole position and tighten clockwise.

M \*4

14

X 1

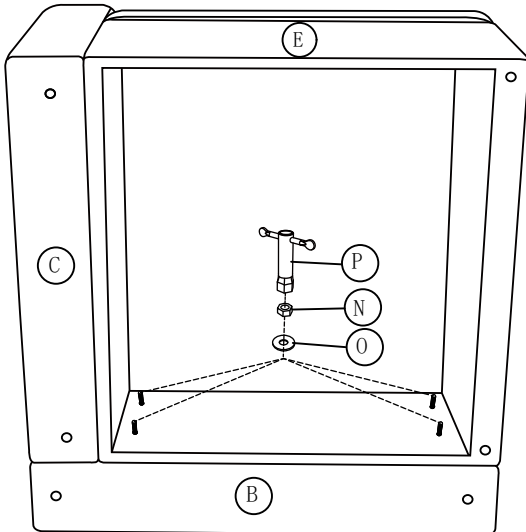


N\*4 Sequence the Washer and Nut as shown, then tighten clockwise with socket wrench.

O\*4

15

X 1

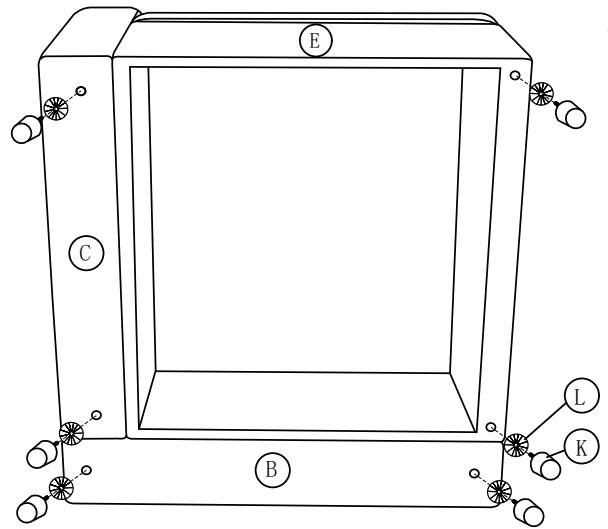


N\*4 Sequence the Washer and Nut as shown, then tighten clockwise with socket wrench.

O\*4

16

X 1

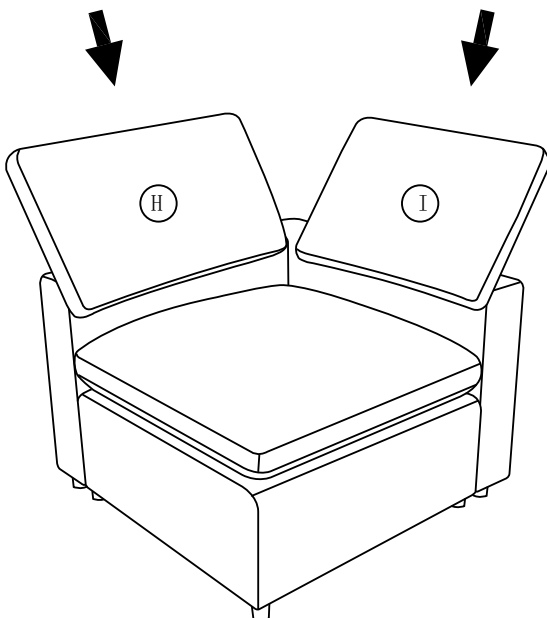


L\*4 Place one Plastic Washer on the Leg screw, then insert screw into the hole position. Tighten by turning the leg clockwise as shown.

K\*4

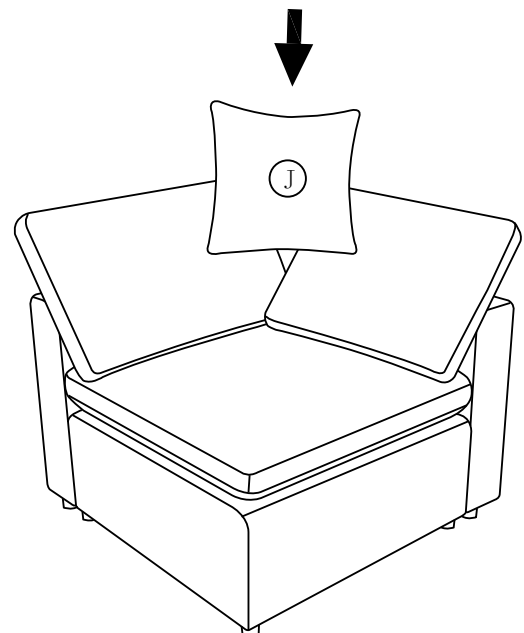
17

X 1



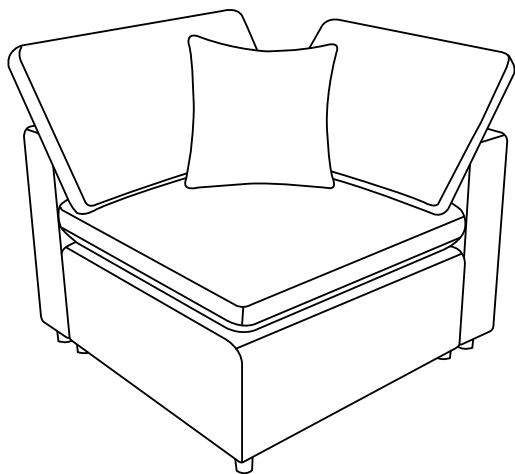
18

X 1



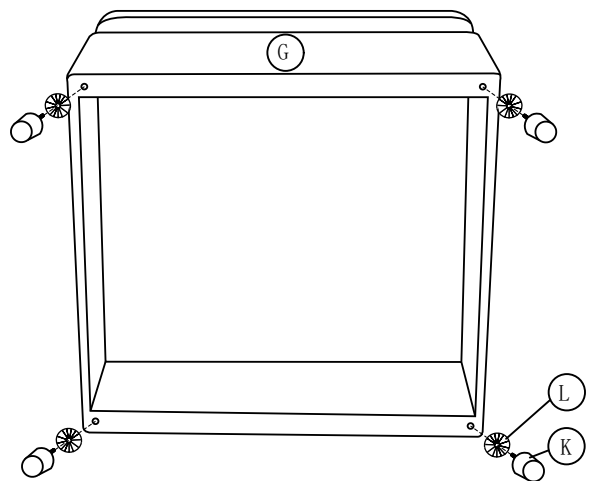
19

X 1



20

X 1



L\*4 Place one Plastic Washer on the Leg screw, then insert screw into the hole position. Tighten by turning the leg clockwise as shown.  
 K\*4

21

