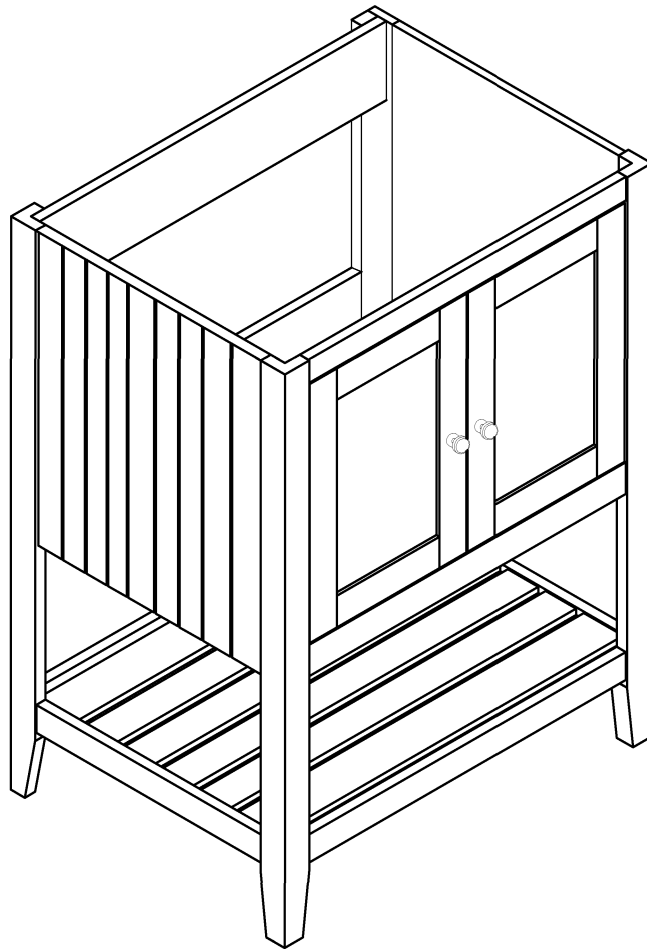
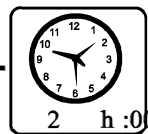
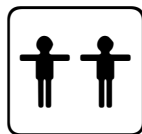
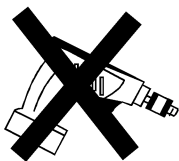


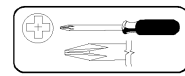
BATHROOM VANITY



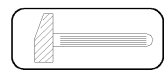
*** Use of power tool to assemble this product will invalidate any claim and damage this product making unsafe !!!**
*** Please assemble on a clean soft surface to avoid damage.**



Tools Required



(Not included)

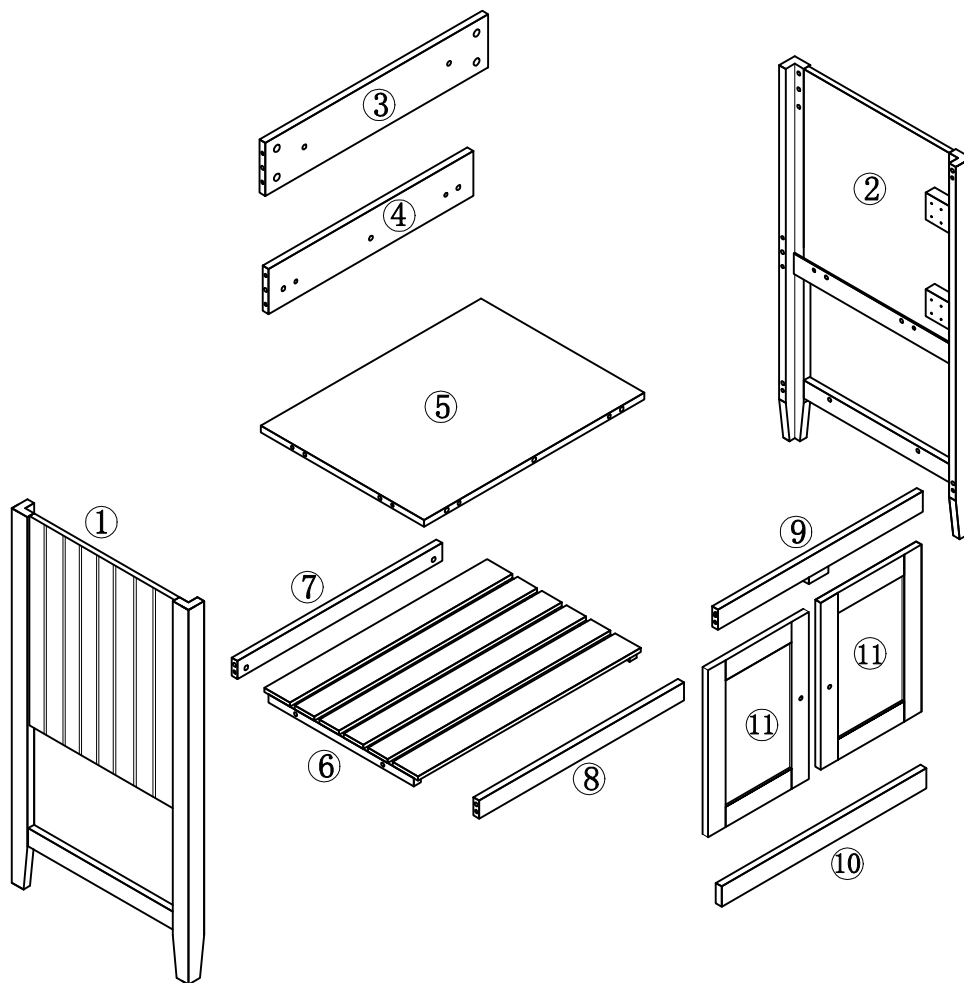


(Not included)

IMPORTANT:

PLEASE READ INSTRUCTION BEFORE STARTING THE ASSEMBLY

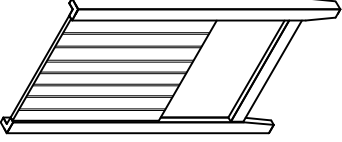
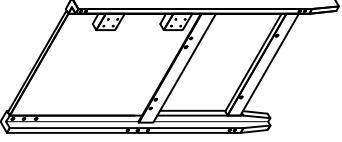
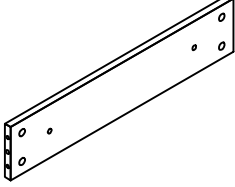
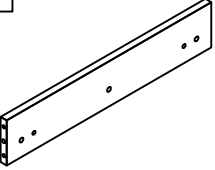
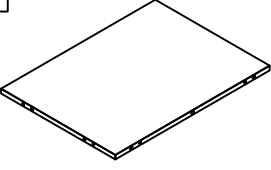
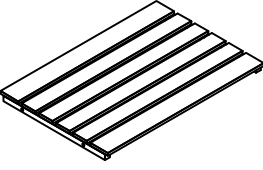
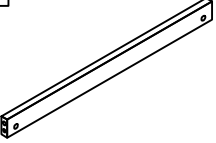
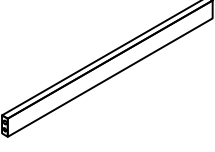
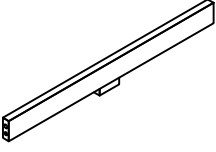
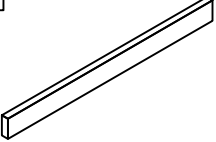
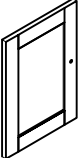
Detail View - BATHROOM VANITY




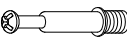

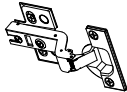



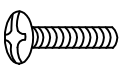
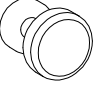
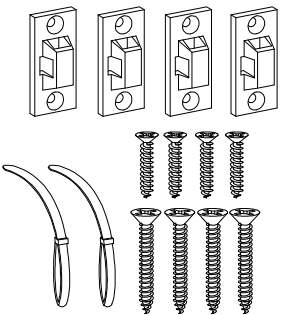
Identifying the Hardware-Identify the hardware using the illustrations below.

Part List

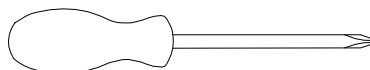
WF287735

<p>1</p>  <p>Left side box - 1pc</p>	<p>2</p>  <p>Right side box - 1pc</p>	<p>3</p>  <p>Rear upper cross plate - 1pc</p>
<p>4</p>  <p>Rear middle cross plate - 1pc</p>	<p>5</p>  <p>Laminate - 1pc</p>	<p>6</p>  <p>Tray - 1pc</p>
<p>7</p>  <p>Rear lower cross plate - 1pc</p>	<p>8</p>  <p>Front lower cross plate - 1pc</p>	<p>9</p>  <p>Front upper cross plate - 1pc</p>
<p>10</p>  <p>Front middle cross plate - 1pc</p>	<p>11</p>  <p>cabinet door - 2pc</p>	

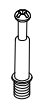
Hardware List—WF287735

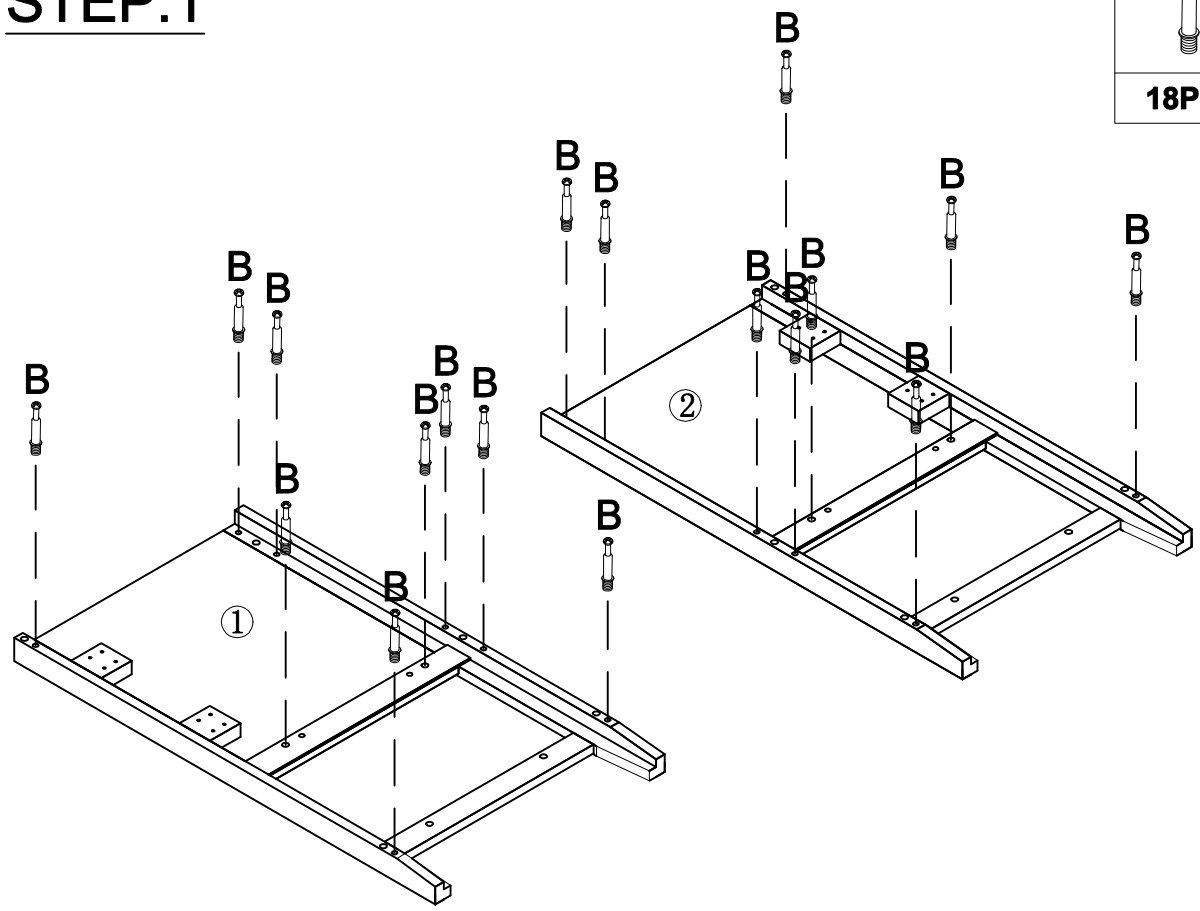
A  $\varnothing 12 \times 1/4" \times 28 \text{mm}$ Hex-Head bolts(4pcs)	B  $\varnothing 6 \times 35 \text{mm}$ Three in one bolts(24pcs)	C  $\varnothing 14.5 \times 12 \text{mm}$ Three in one lock(24pcs)
D  Damping hinge(4pcs)	E  $\varnothing 7 \times \varnothing 3.5 \times 15 \text{mm}$ Flat head screw(24pcs)	F  4mm Allen key(1pcs)
G  $\varnothing 8 \times 30 \text{mm}$ Wood dowel(18pcs)	H  $\varnothing 5/32" \times 20 \text{mm}$ Handle screw(2pcs)	J  $\varnothing 10 \times \varnothing 30 \text{mm}$ handle(2pcs)
K  Anti fall hardware(1set)		

ASSEMBLY TOOLS REQUIRED (NOT INCLUDED)




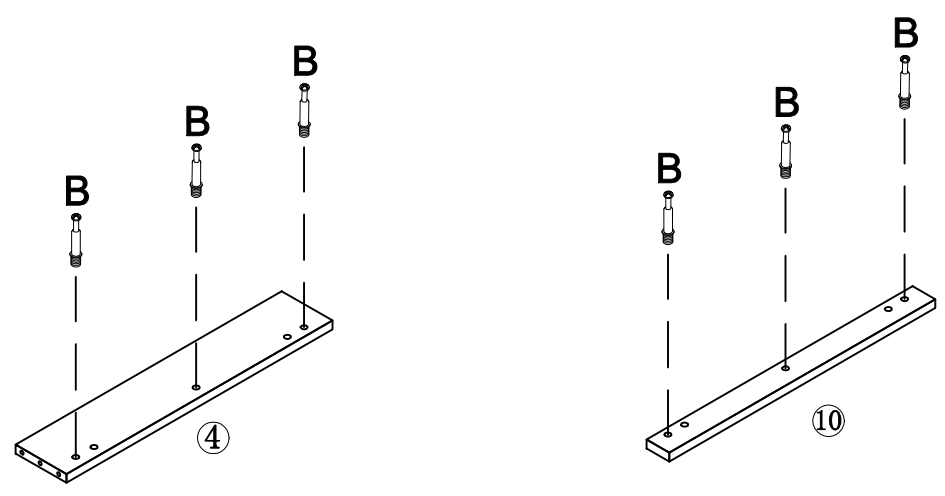
STEP:1

B	
18PCS	


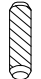


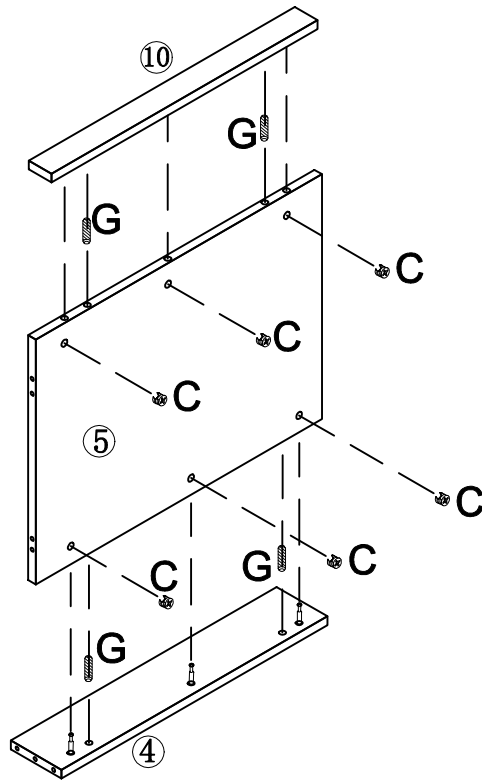
STEP:2

B	
6PCS	



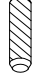


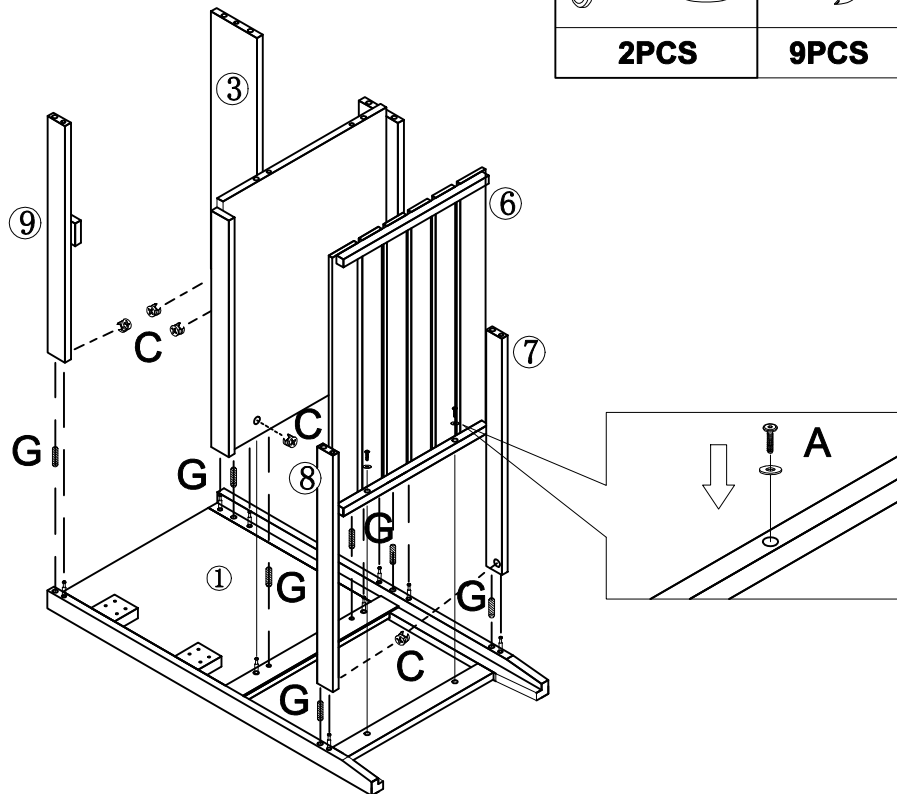
STEP:3

C		G	
6PCS		4PCS	






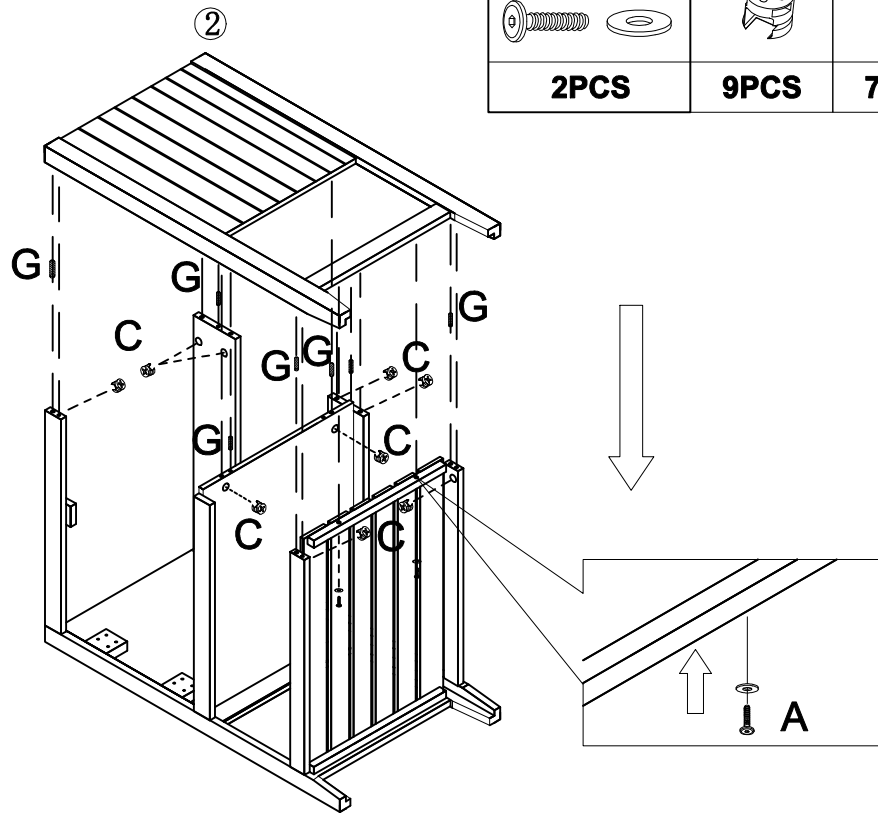
STEP:4

A	C	G
		
2PCS	9PCS	7PCS

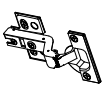
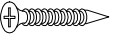


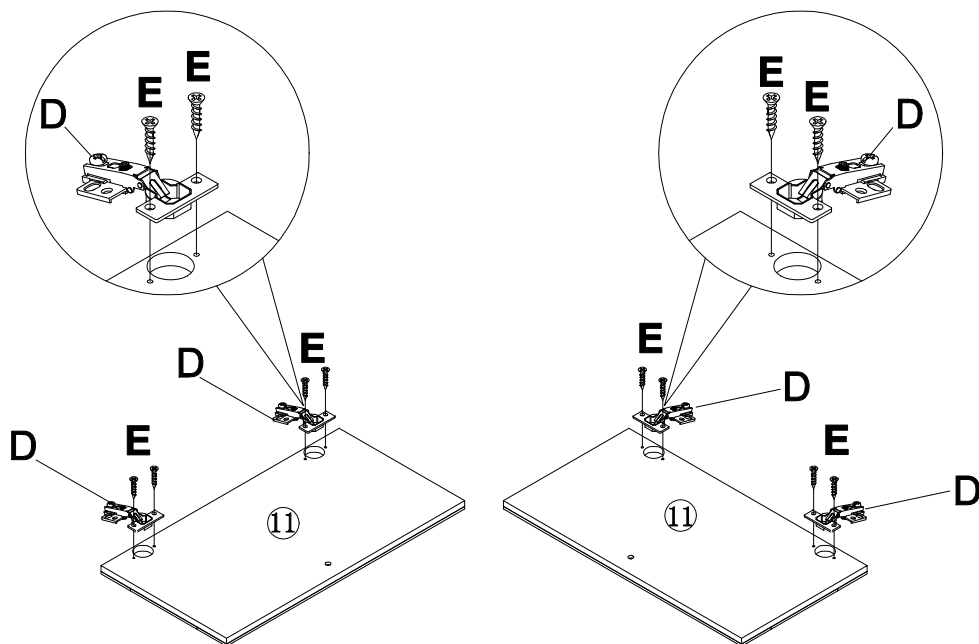
STEP:5

A	C	G
		
2PCS	9PCS	7PCS




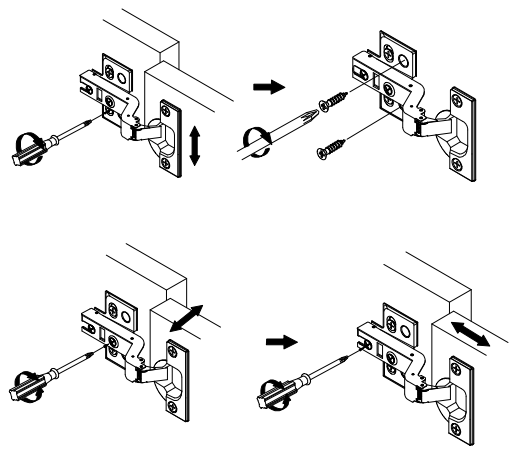
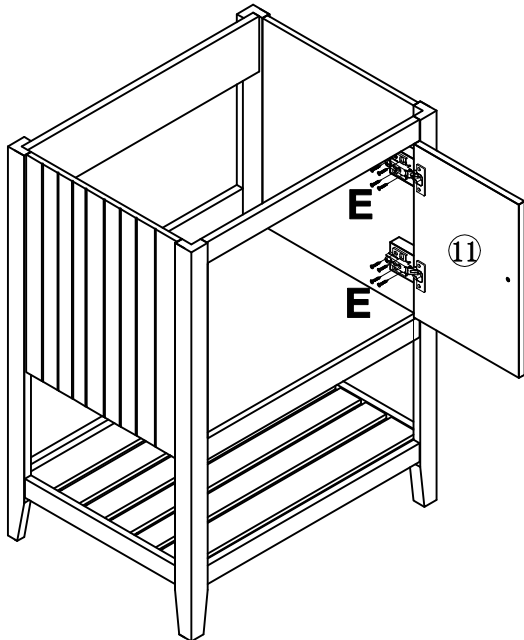
STEP:6

D	E
	
4PCS	8PCS

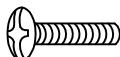




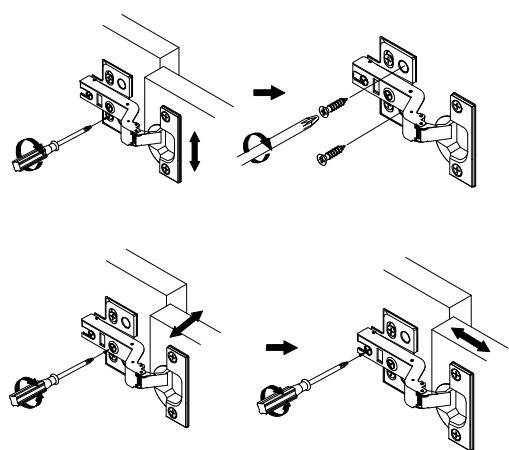
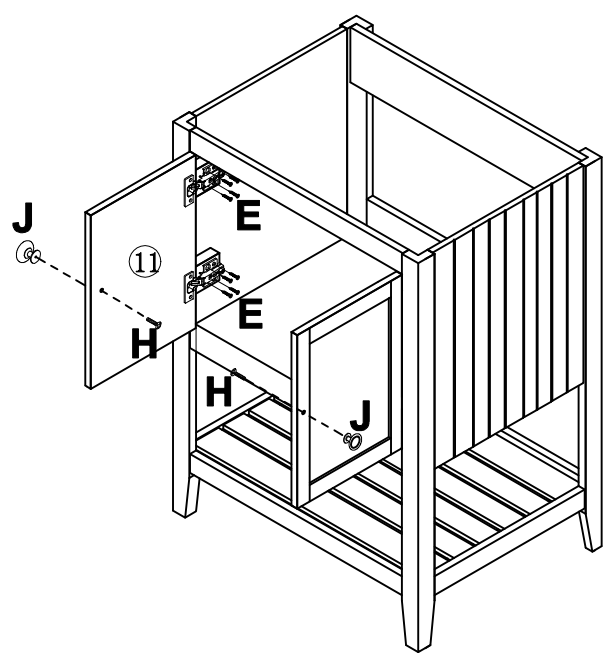
STEP:7

E

8PCS

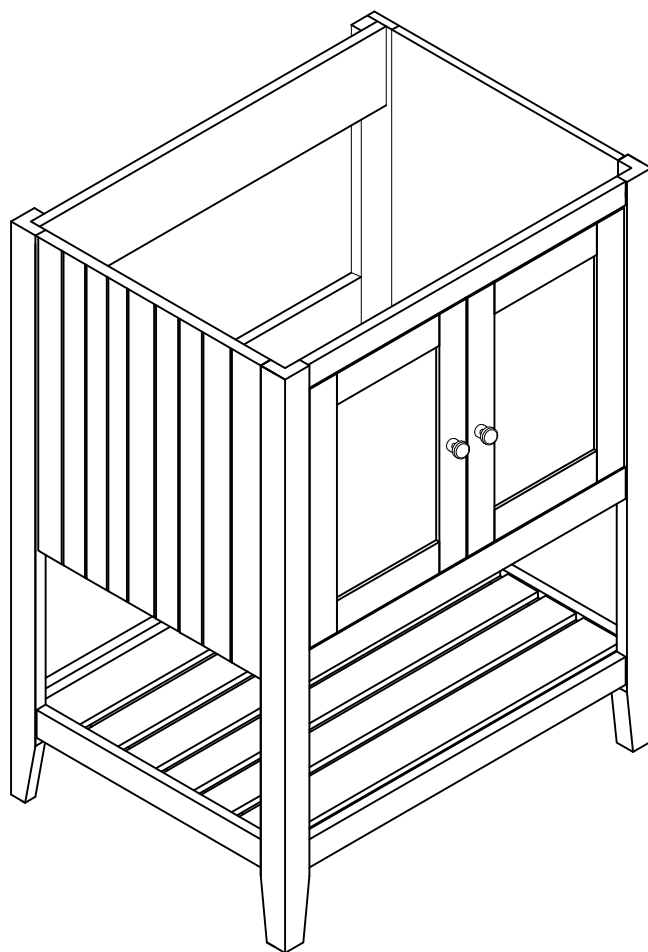


STEP:8

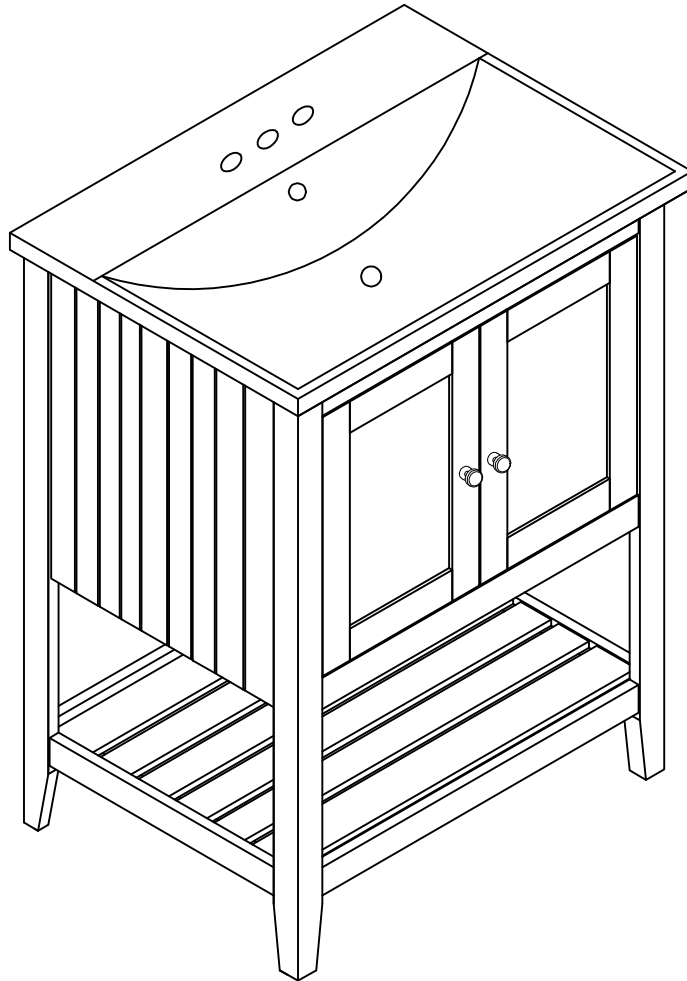
H	J	E
		
2PCS	2PCS	8PCS



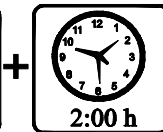
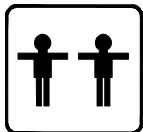
STEP:9



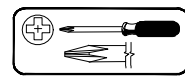
BATHROOM VANITY



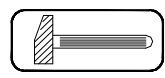
*** Use of power tool to assemble this product will invalidate any claim and damage this product making unsafe !!!**
*** Please assemble on a clean soft surface to avoid damage.**



Tools Required



(Not included)



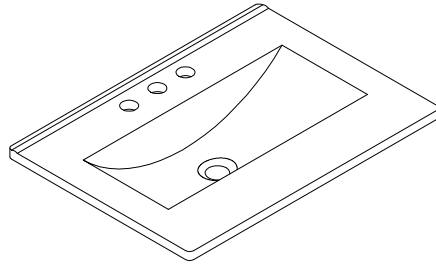
(Not included)

IMPORTANT:

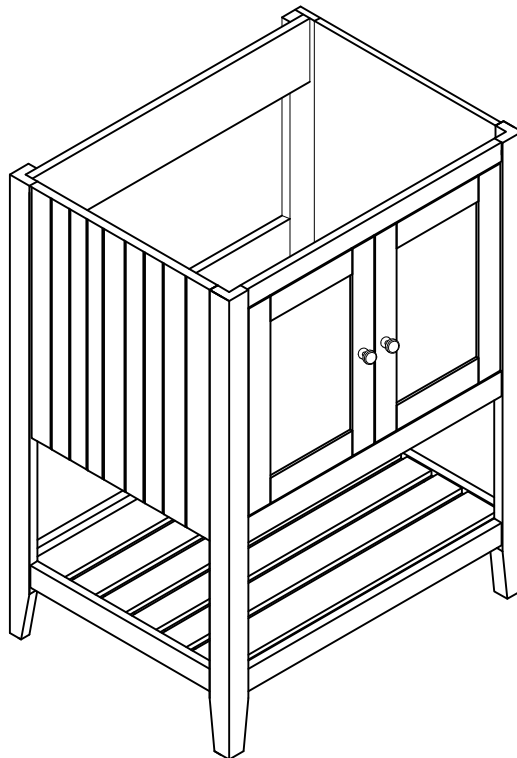
PLEASE READ INSTRUCTION BEFORE STARTING THE ASSEMBLY

Part List

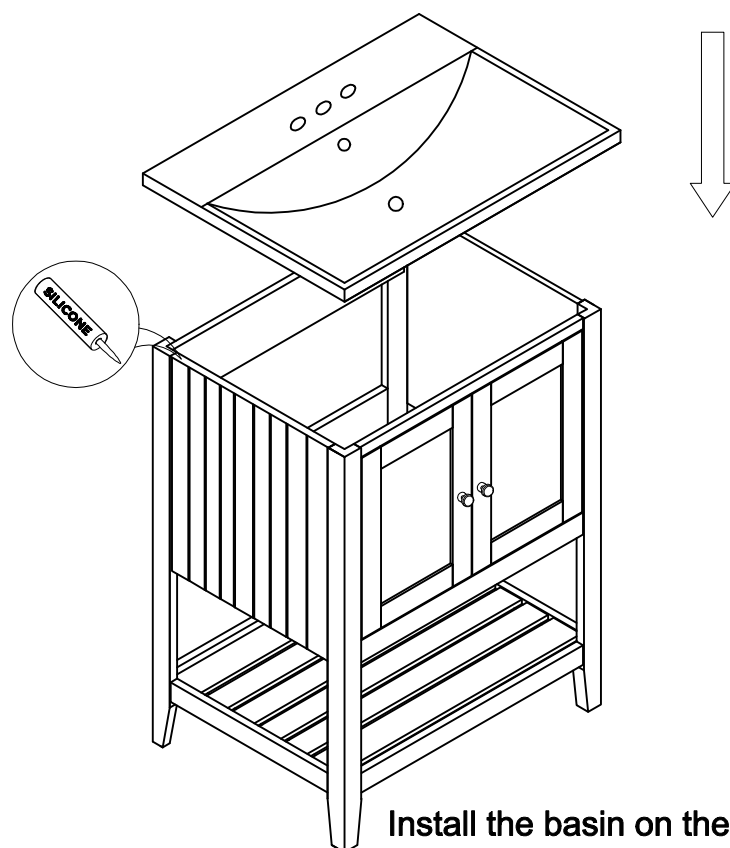
WF287736



WF287735



STEP:1



Install the basin on the cabinet with glue.
Let stand for 24 hours

STEP:2

