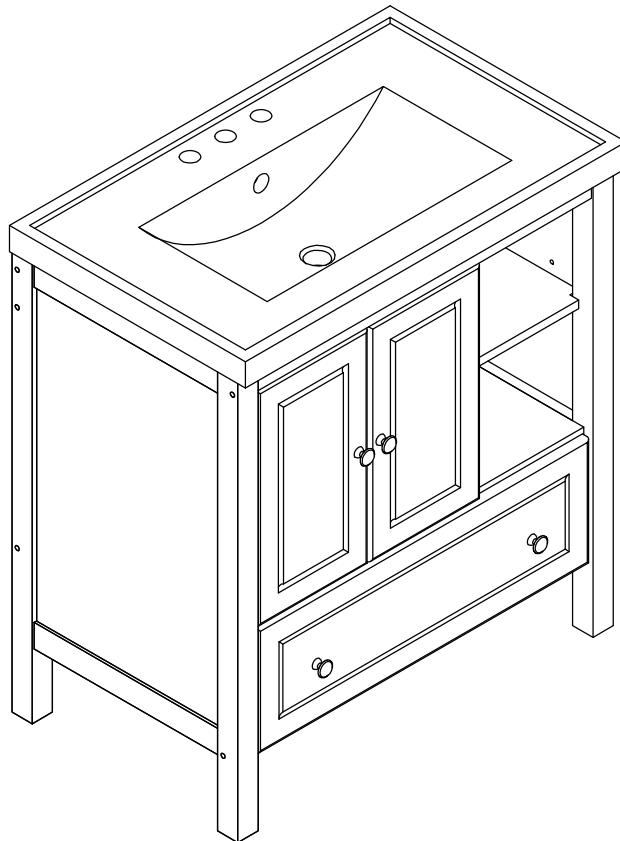


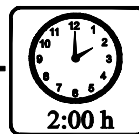
ASSEMBLY INSTRUCTIONS

30 INCH BATH VANITY-SINK

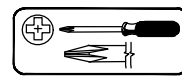


Thank you for purchasing this quality product. Be sure to check all packing material carefully for small parts which may have come loose inside the carton during shipment. Separate, identify and count all parts and hardware. Compare with the parts list to be sure all parts are present. "DO NOT TIGHTEN SCREWS UNTIL COMPLETELY ASSEMBLED"

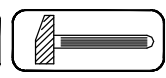
*** Use of power tool to assemble this product will invalidate any claim and damage this product making unsafe !!!**
*** Please assemble on a clean soft surface to avoid damage.**



Tools Required



(Not included)

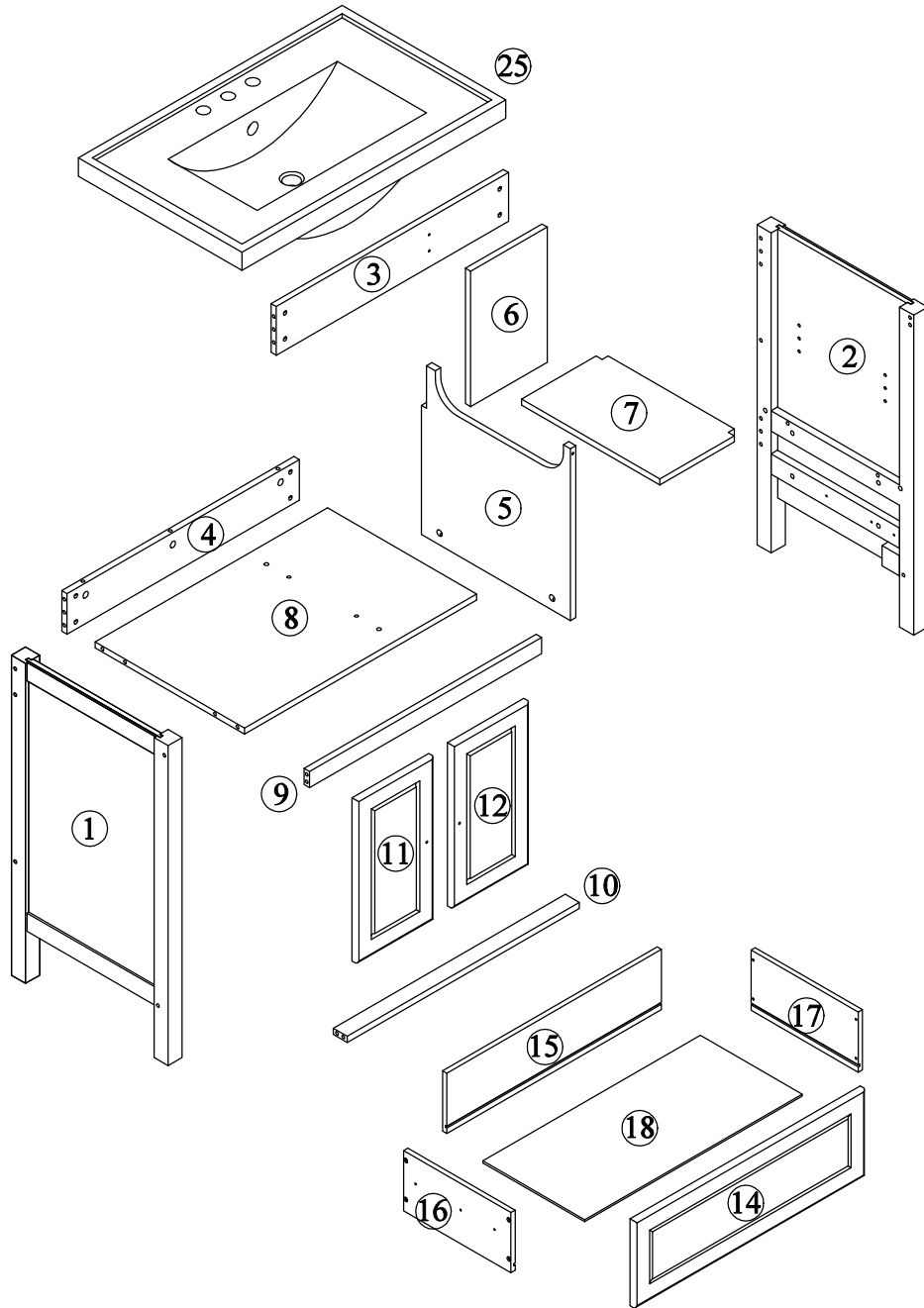


(Not included)

IMPORTANT:

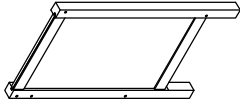
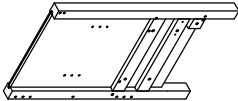
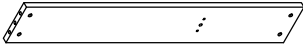
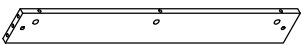
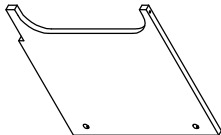
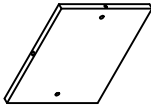

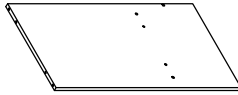
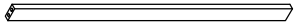

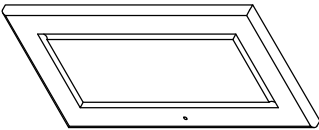
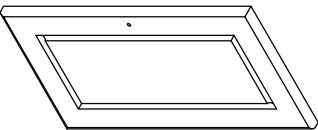
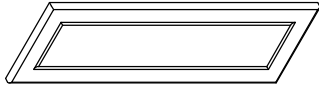
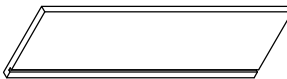
PLEASE READ INSTRUCTION BEFORE STARTING THE ASSEMBLY

Detail View - 30 INCH BATH VANITY

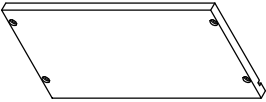
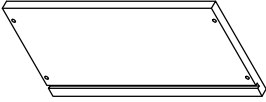



Identifying the Hardware-Identify the hardware using the illustrations below.

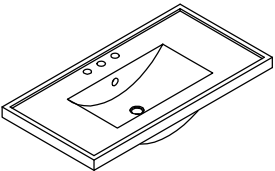
Part List—WF283479

<p>1</p>  <p>Left side - 1pc</p>	<p>2</p>  <p>Right side - 1pc</p>
<p>3</p>  <p>Rear upper cross plate - 1pc</p>	<p>4</p>  <p>Rear middle cross plate - 1pc</p>
<p>5</p>  <p>Middle vertical plate - 1pc</p>	<p>6</p>  <p>Back panel - 1pc</p>
<p>7</p>  <p>Movable Shelf - 1pc</p>	<p>8</p>  <p>Bottom plate - 1pc</p>
<p>9</p>  <p>Horizontal board - 1pc</p>	<p>10</p>  <p>Horizontal board - 1pc</p>
<p>11</p>  <p>Cabinet door - 1pc</p>	<p>12</p>  <p>Cabinet door - 1pc</p>
<p>14</p>  <p>Drawer face panel - 1pc</p>	<p>15</p>  <p>Drawer back side panel - 1pc</p>

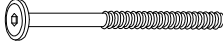

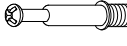




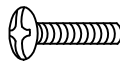
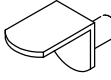
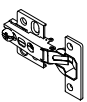
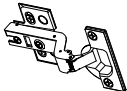
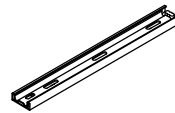
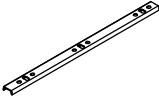

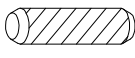

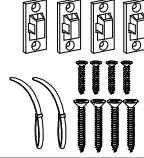

Part List—WF283479

<p>16</p>  <p>Drawer side panel - 1pc</p>	<p>17</p>  <p>Drawer side panel - 1pc</p>
<p>18</p>  <p>Drawer bottom panel - 1pc</p>	

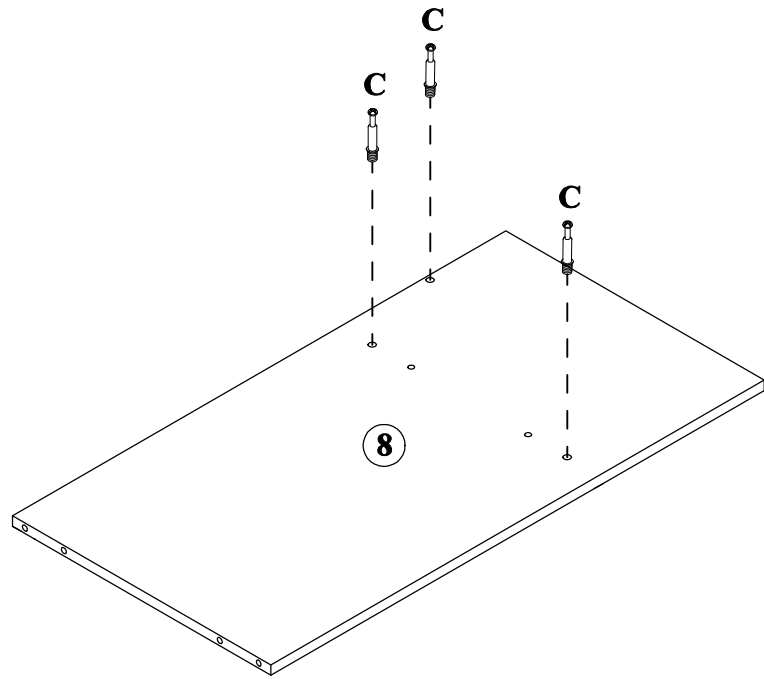
Part List—WF283480

<p>25</p>  <p>Sink - 1pc</p>
--

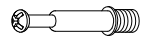
Hardware List—WF283479

<p>A</p>  <p>ø13x1/4"x80mm</p>	<p>B</p>  <p>ø10x13mm</p>	<p>C</p>  <p>ø6x35mm</p>
<p>Hex-Head bolts(10pcs) Horizontal-Hole bolts(10pcs) Three in one bolts(15pcs)</p>		
<p>D</p>  <p>ø14x9mm</p>	<p>E</p>  <p>ø8xø4x25mm</p>	<p>F</p>  <p>ø8xø4x30mm</p>
<p>Three in one lock(15pcs) Round head screw(3pcs) Round head screw(4pcs)</p>		
<p>G</p> 	<p>H</p>  <p>ø5/32"x22mm</p>	<p>J</p> 
<p>Handle(4pcs) Handle screw(4pcs) Laminate pad(4pcs)</p>		
<p>K</p> 	<p>L</p> 	<p>M</p>  <p>ø300x35mm</p>
<p>Damping hinge 1 (2pcs) Damping hinge 2 (2pcs) Slide rails (2pcs)</p>		
<p>N</p>  <p>ø298x18mm</p>	<p>O</p>  <p>ø6xø3.5x12mm</p>	<p>P</p>  <p>ø8x30mm</p>
<p>Slide rails (2pcs) Flat head screw(14pcs) Wood dowel(20pcs)</p>		
<p>Q</p>  <p>4mm</p>	<p>R</p> 	<p>S</p>  <p>ø6xø3.5x15mm</p>
<p>Allen key(1pc) Anti fall hardware(1set) Flat head screw(24pcs)</p>		

STEP: 1

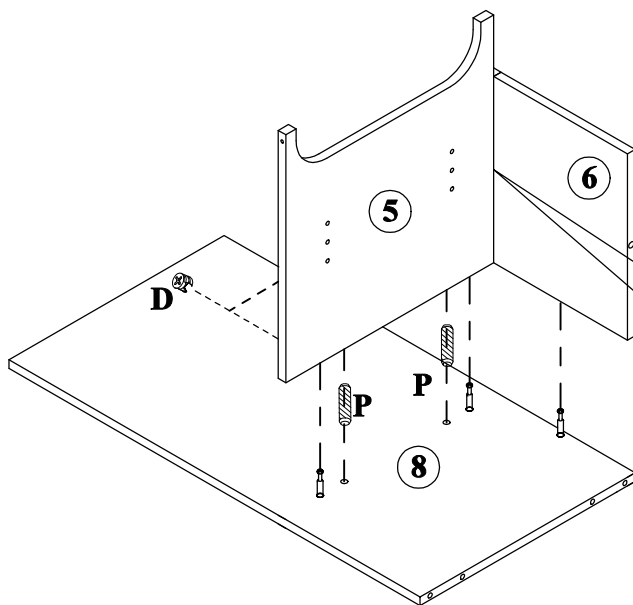


C



3PCS

STEP: 2



D

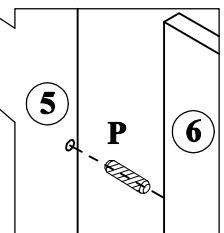
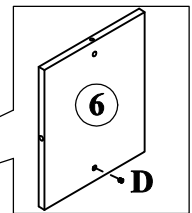


3PCS

P

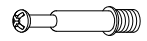


3PCS

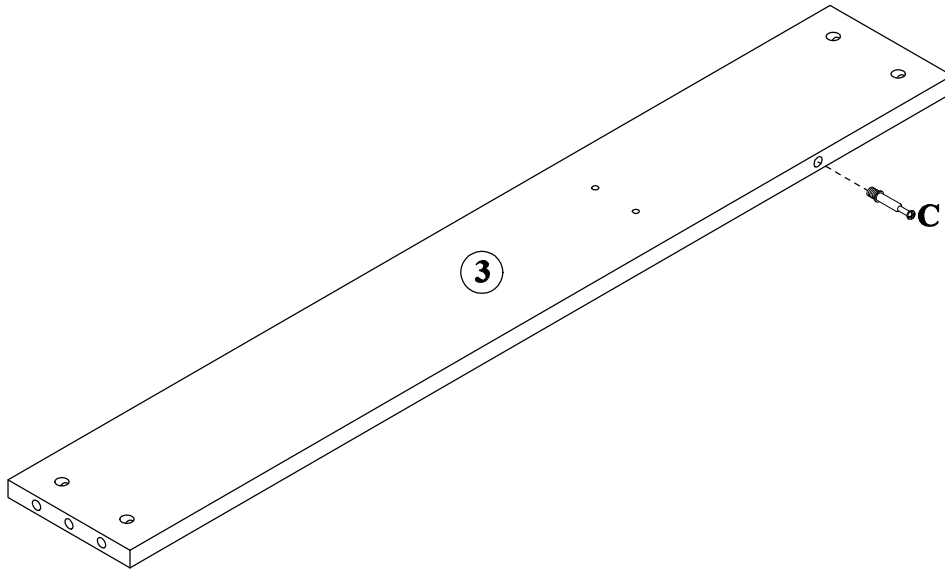


STEP: 3

C

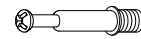


1PCS



STEP: 4

C

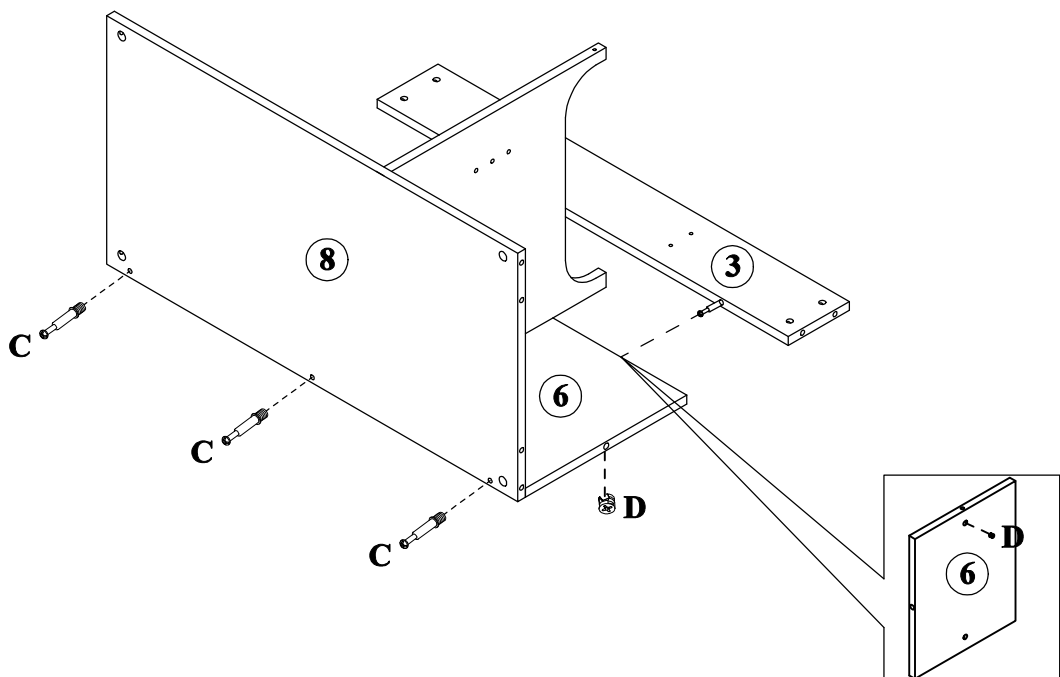


3PCS

D



1PCS

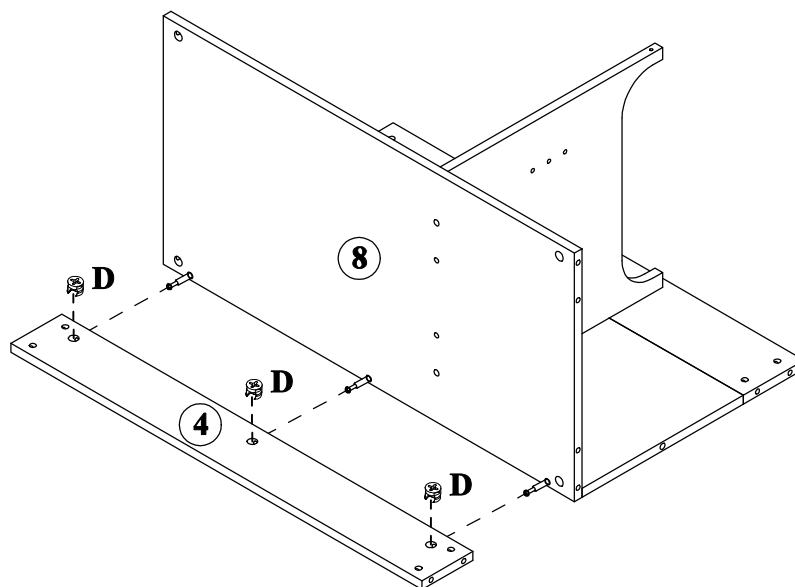


STEP: 5

D

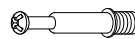


3PCS



STEP: 6

C



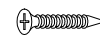
4PCS

M

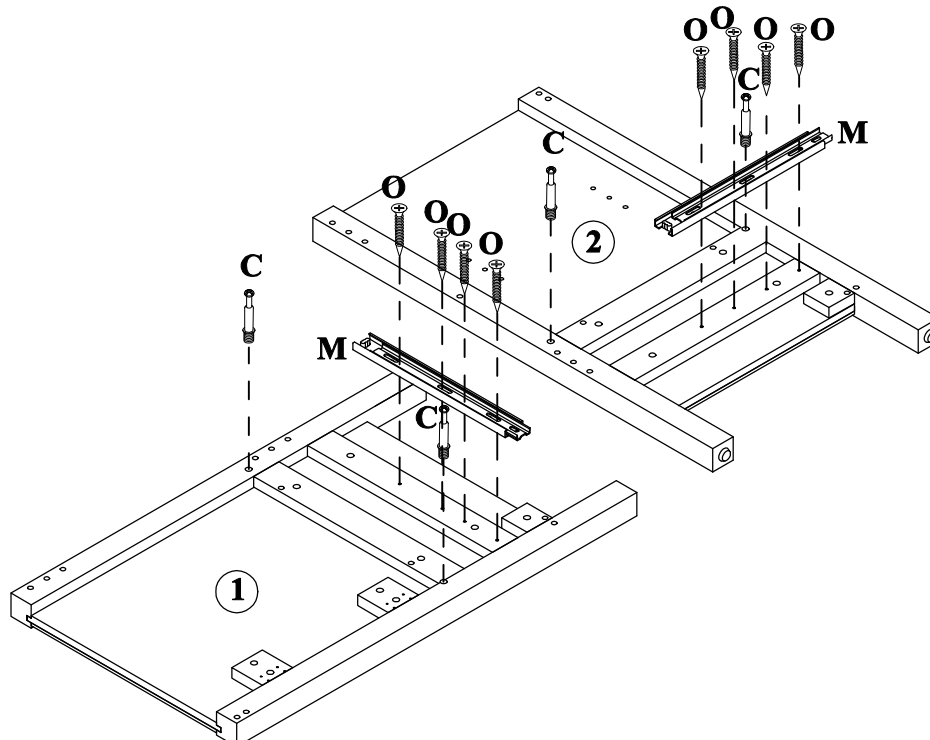


2PCS

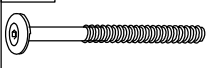
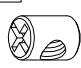

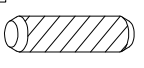
O

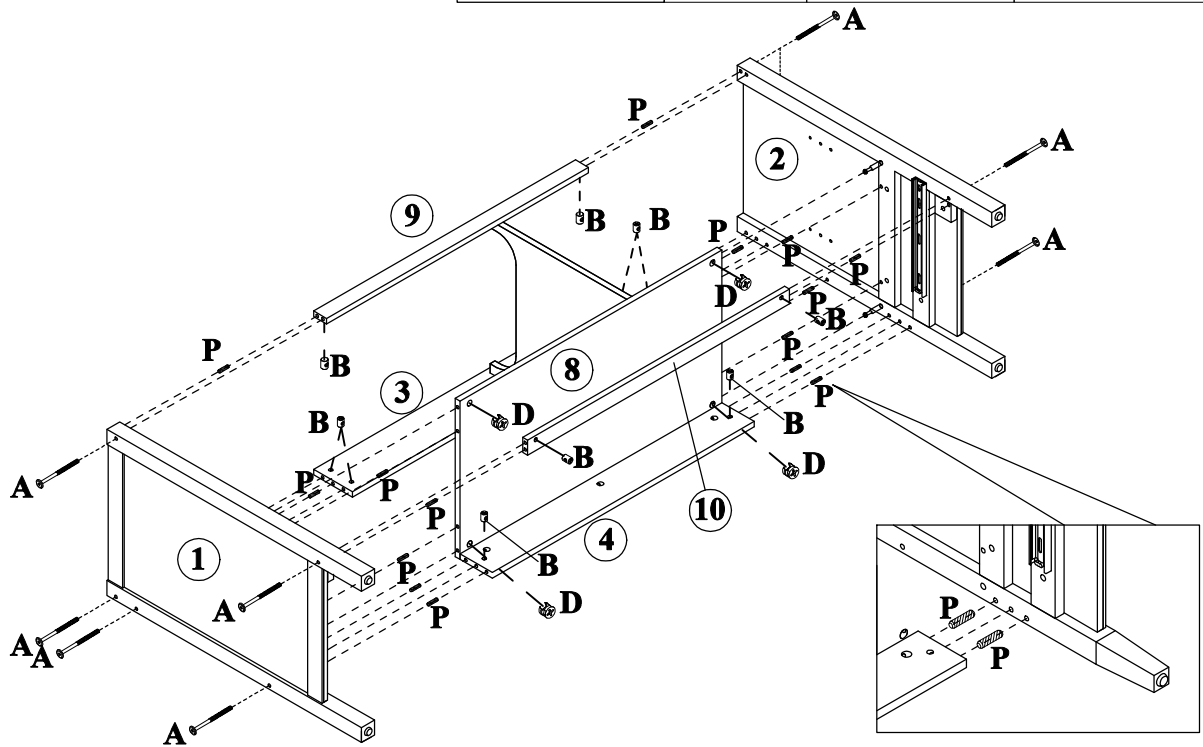


8PCS




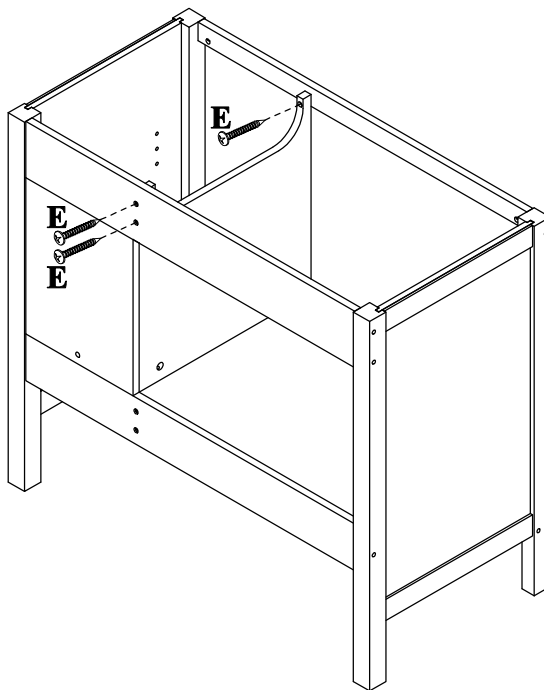
STEP: 7

A	B	D	P
			
10PCS	10PCS	4PCS	15PCS






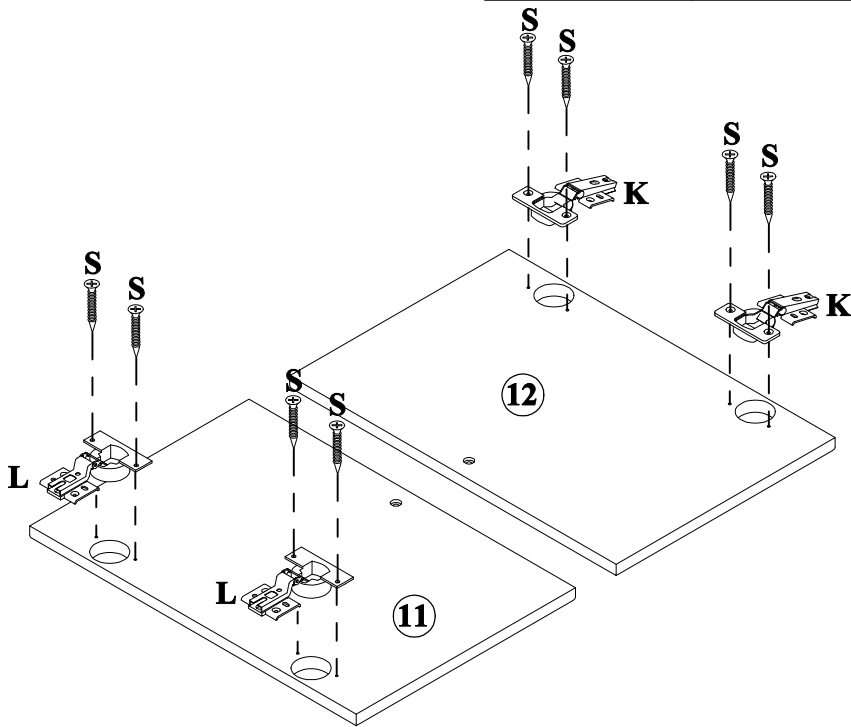
STEP: 8

E

3PCS




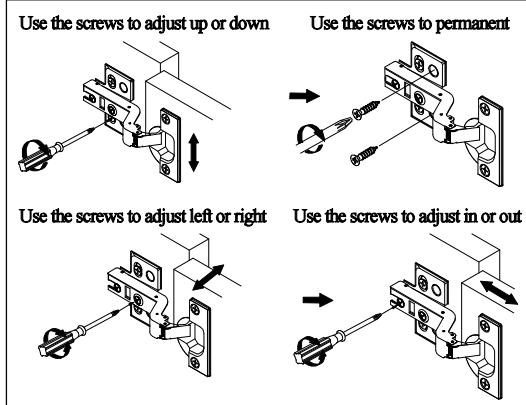
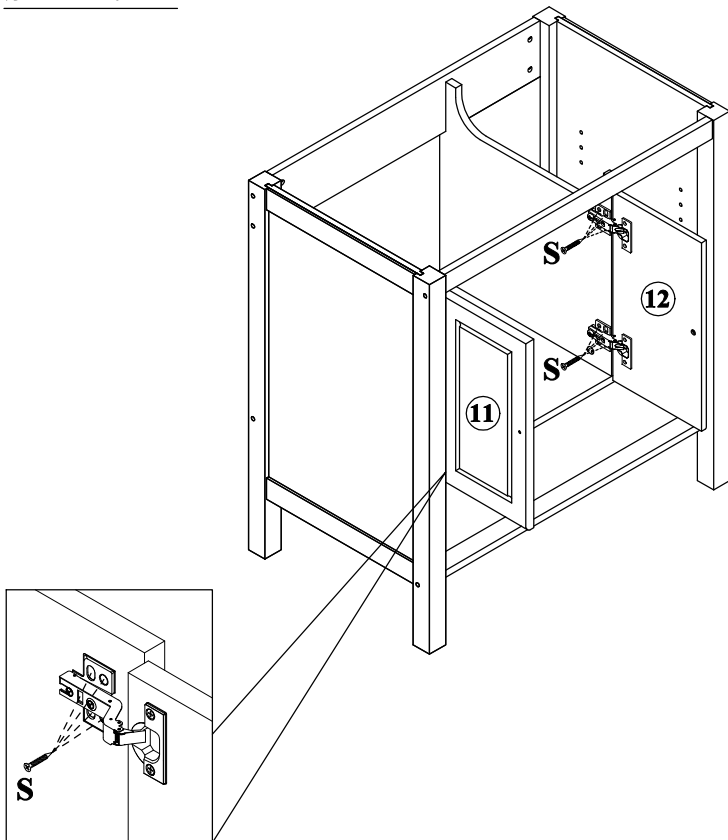
STEP: 9

K		L		S	
2PCS		2PCS		8PCS	


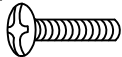


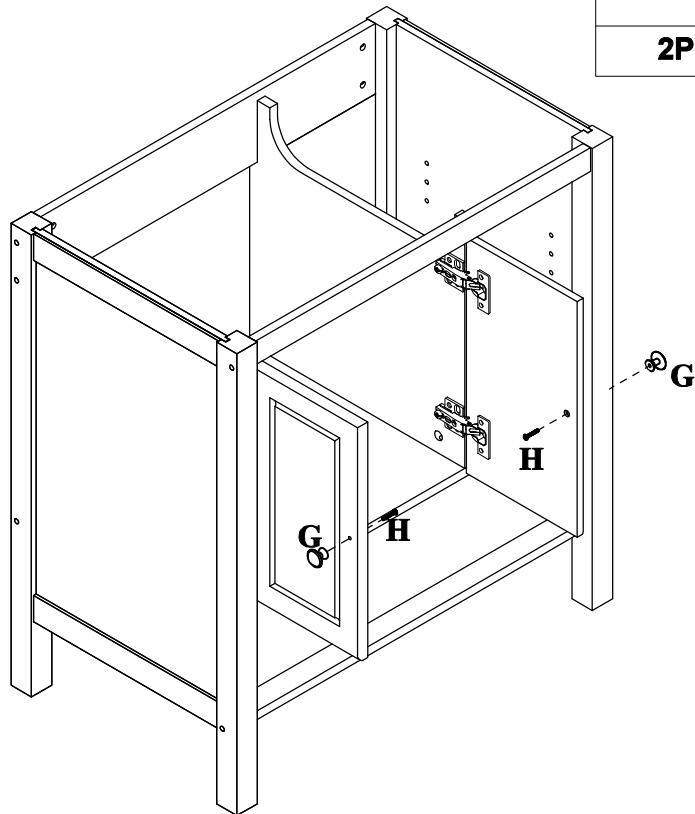
STEP: 10

S	
16PCS	




STEP: 11

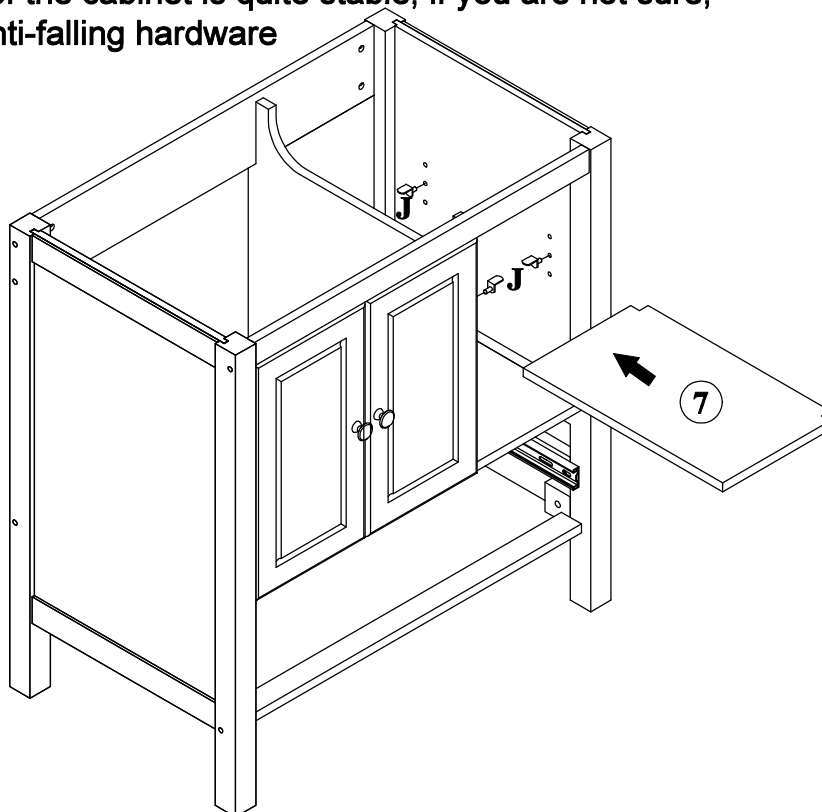
G		H	
2PCS		2PCS	



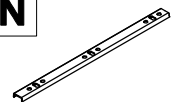

STEP: 12

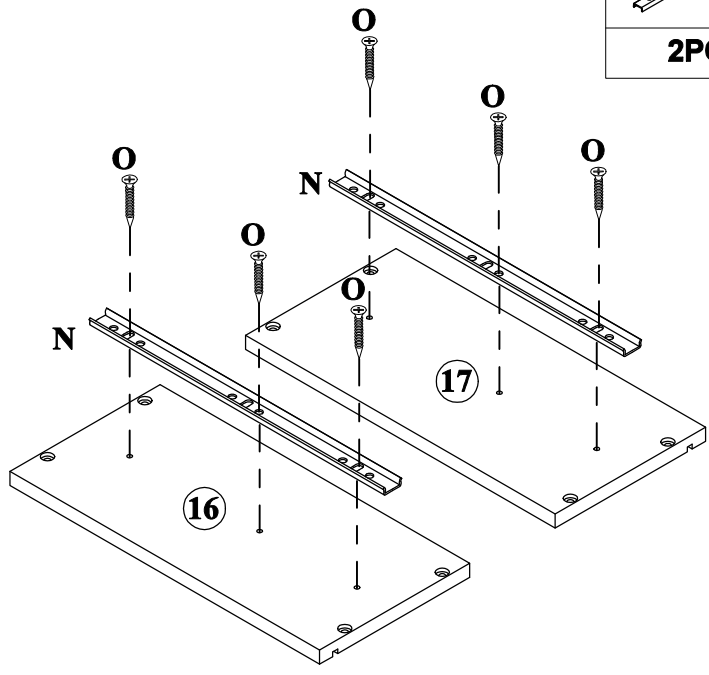
The structure of the cabinet is quite stable, if you are not sure, you can use anti-falling hardware

J	
4PCS	

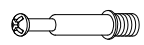


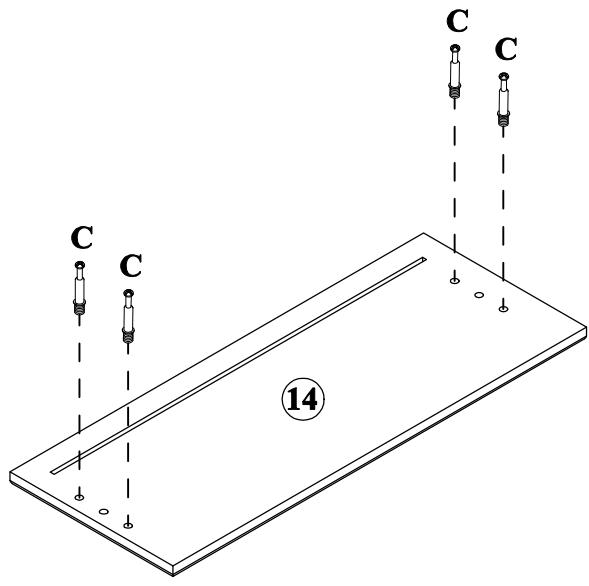
STEP: 13

N		O	
2PCS		6PCS	


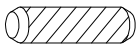


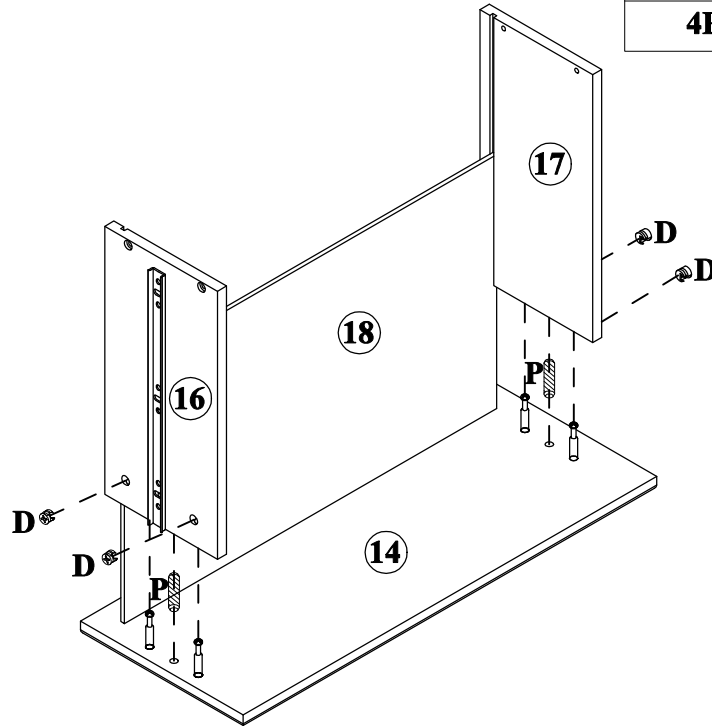
STEP: 14

C	
4PCS	




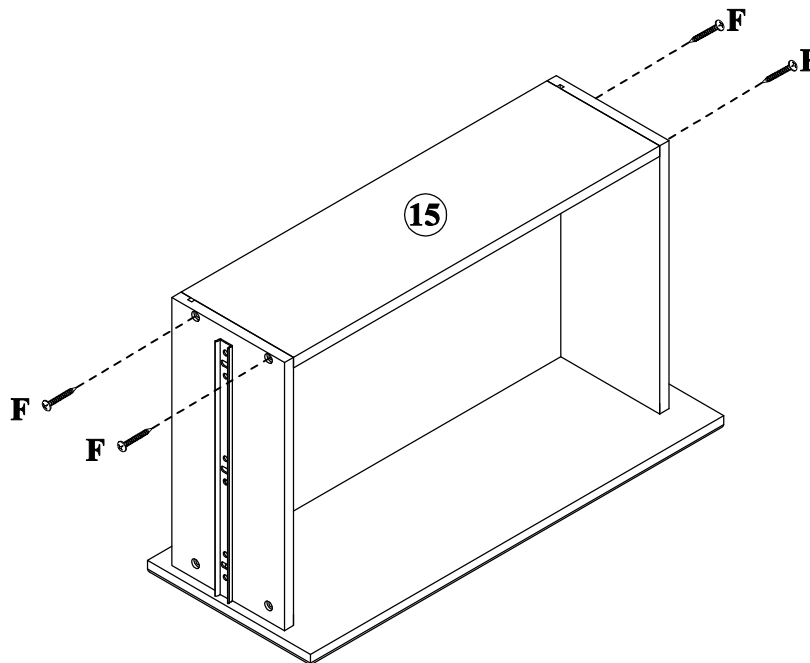
STEP: 15

D		P	
4PCS		2PCS	


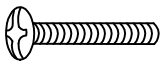


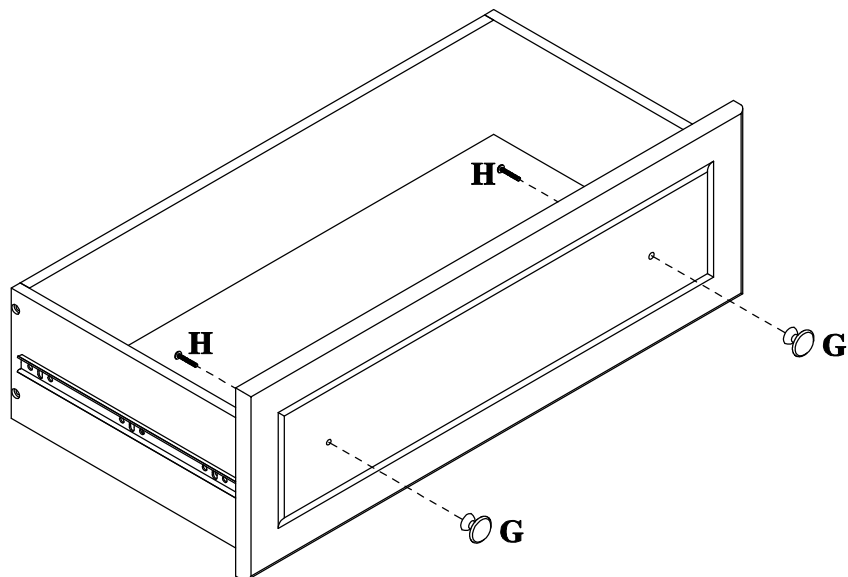
STEP: 16

F	
4PCS	

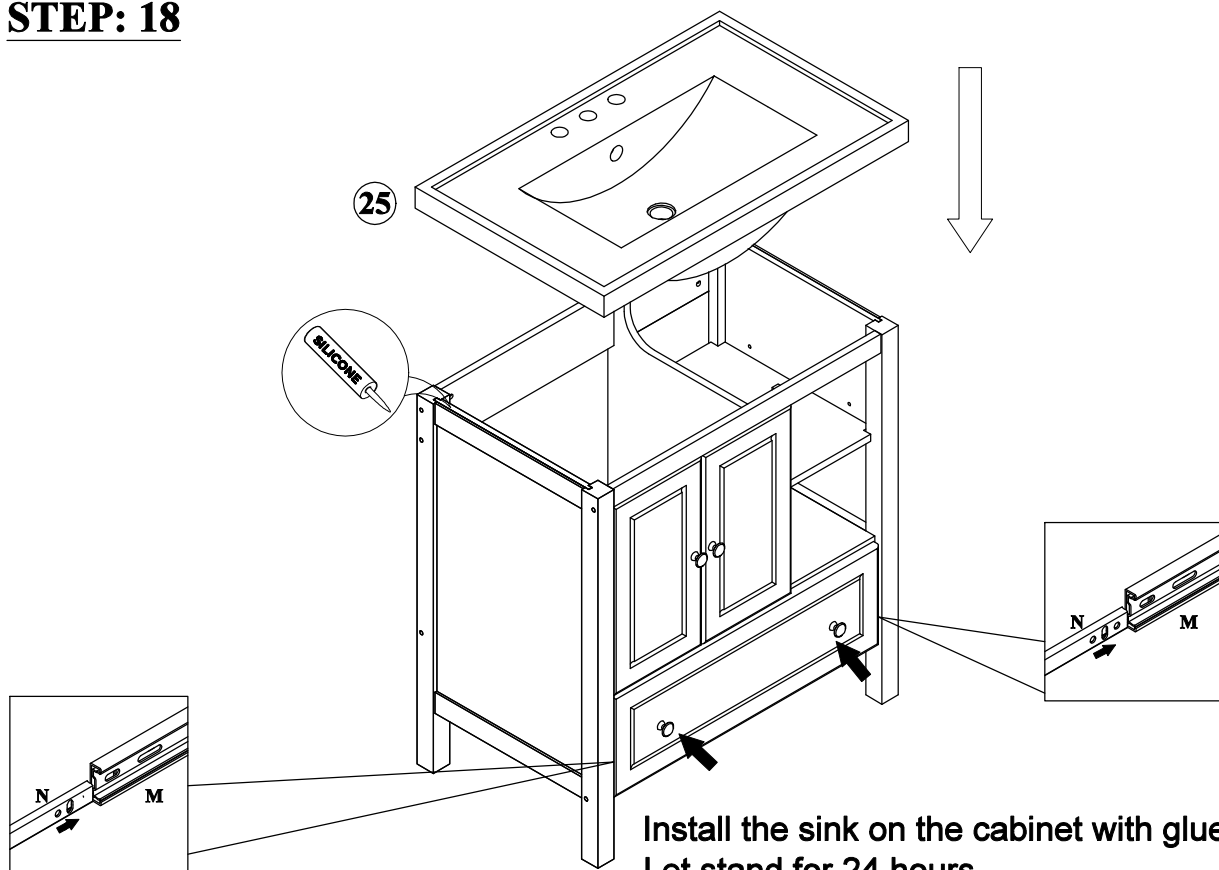


STEP: 17

G		H	
	2PCS		2PCS



STEP: 18



STEP: 19

