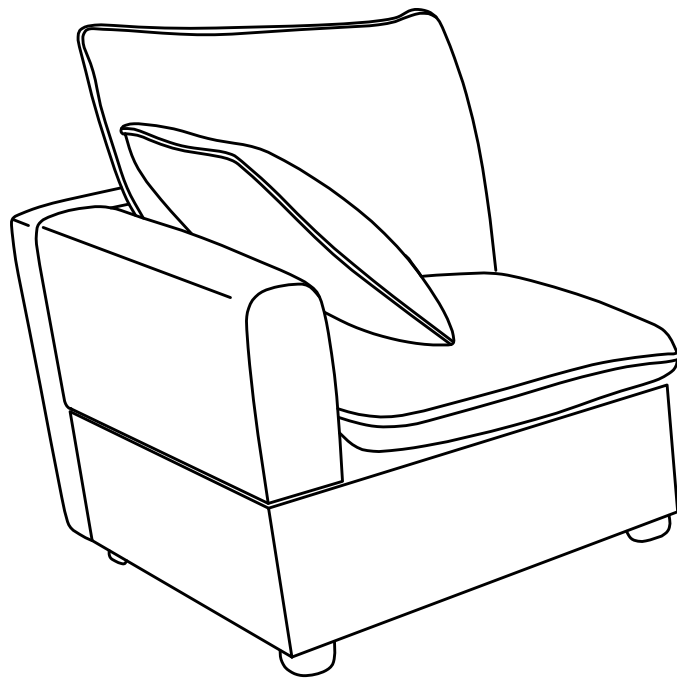


ASSEMBLY INSTRUCTION

WF321076

Friendly Reminder:

- 1.This part is packed in 1 box. Please assemble it After all boxes are received.
- 2.As the cushions are all vacuum compressed,there will be some wrinkles. Please give your cushions up to 72 hours to reach its original size and the wrinkles will basically disappear.
- 3.Please do not open the compressed packages until your sofa frame is completely assembled.



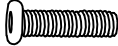




Return & Warranty policy:



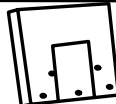



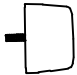
- We strive to offer the highest quality products,and we also try our best to satisfy each and every customer that orders from us with replacement parts or service as needed.
- If the item is damaged or defective, please take photos as evidence for replacements and refunds.
- Please do not return to store,contact the seller if you have any troubles with this product.

ASSEMBLY INSTRUCTION

HARDWARE

NO	DESCRIPTION	SKETCH	QTY
1	Washer		5
2	Gasket		4
3	Screws 8X60		5
4	Wrench		1
5	Insert		2

PARTS LIST WF321076

NO	DESCRIPTION	SKETCH	QTY
A	Left seat frame		1
E	Seat cushion		1
F	Side back frame		1
J	Back cushion		1
L	Left armrest		1
N	Pillow		1
R	Leg		4

ASSEMBLY INSTRUCTION

All parts and hardware.

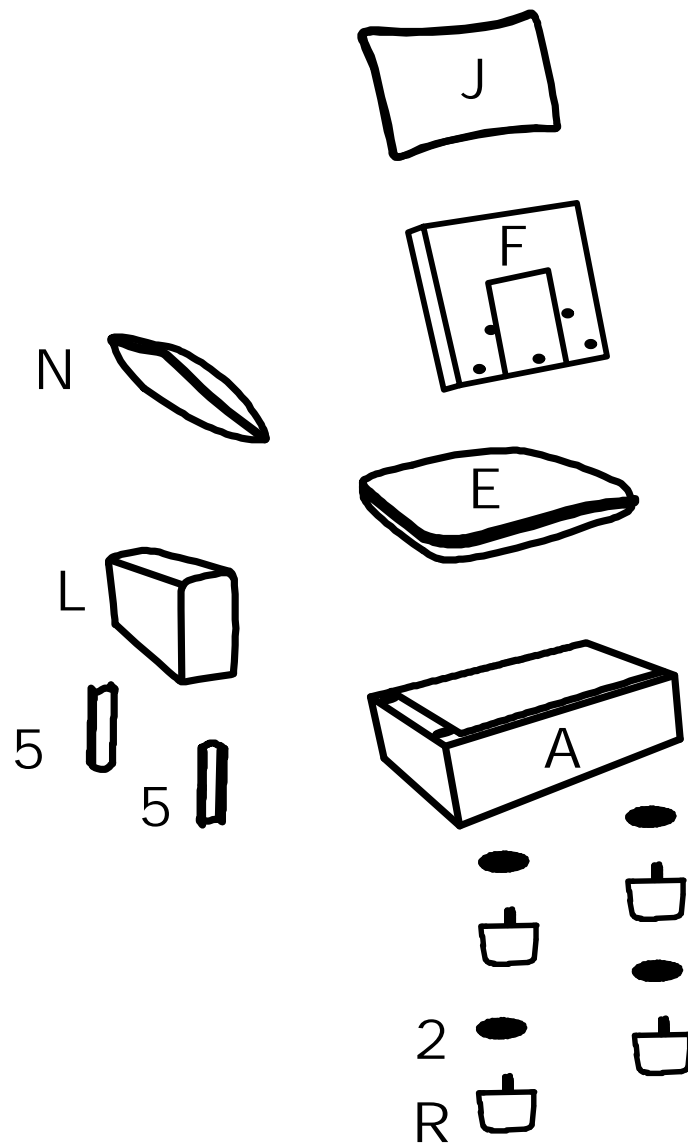


DIAGRAM 1 (Assemble the Insert)

Insert the Insert (Hardware 5) into the Left armrest (Part L).

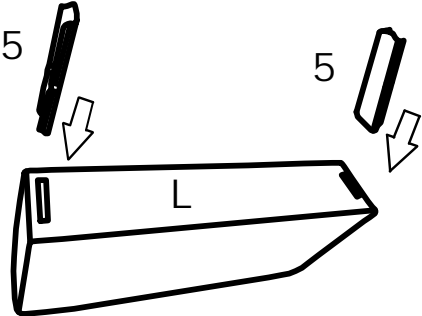


DIAGRAM 2 (Assemble the Armrest)

Insert the Left armrest (Part L) into the Left seat frame (Part A) .

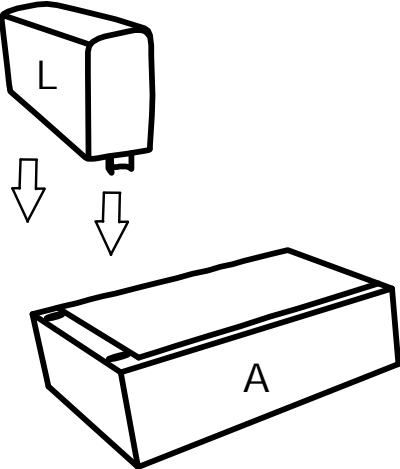


DIAGRAM 3 (Assemble the Leg)

2



4PCS

Tighten Legs (Part R) by Gasket (Hardware 2) on the Left seat frame (Part A) and Side back frame (Part F).

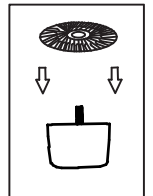
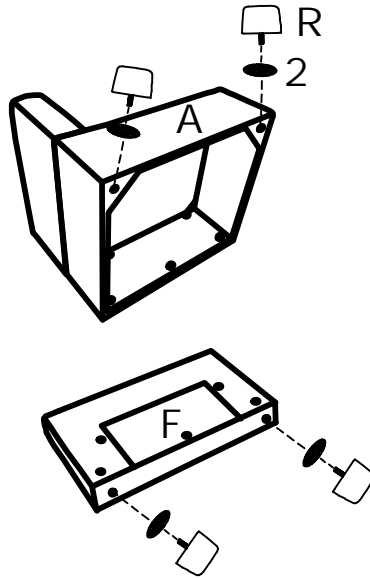


DIAGRAM 4 (Assemble the Back frame)

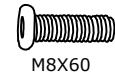
1



5PCS

Connect Left seat frame (Part A) and Side back frame (Part F) with Washer (Hardware 1) and Screws 8X60 (Hardware 3).

3



5PCS

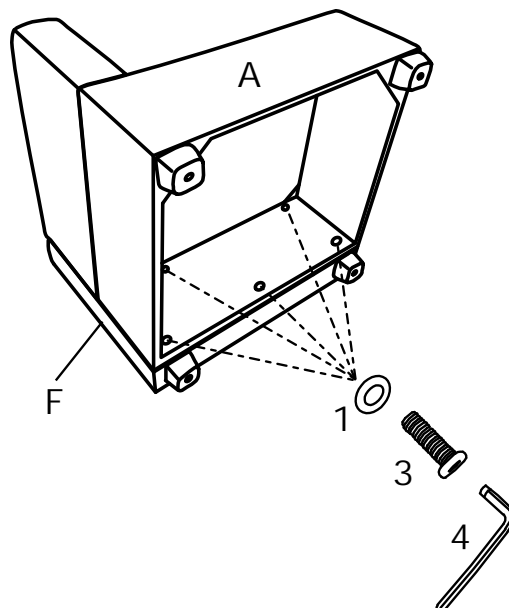
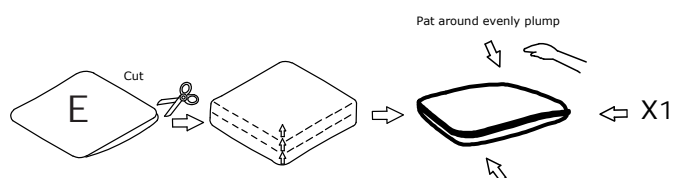


DIAGRAM 5 (Removal of compression bag)

Remove the Seat cushion (Part E).

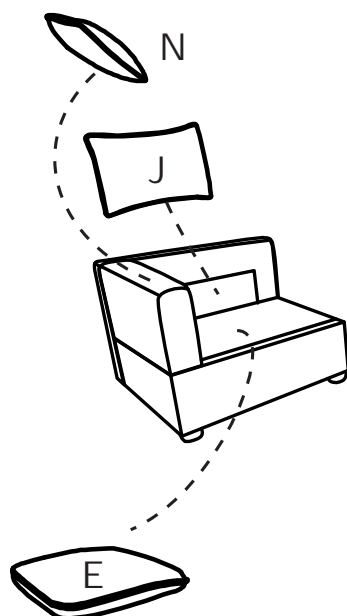


TIPS

1. Please do not open the compressed packages until your sofa frame is completely assembled.
2. Compressed back cushions and pillows need to be fully fulfilled within 72 hours for your perfect use.
3. Please keep children away from plastic bags or any small pieces of stuff.

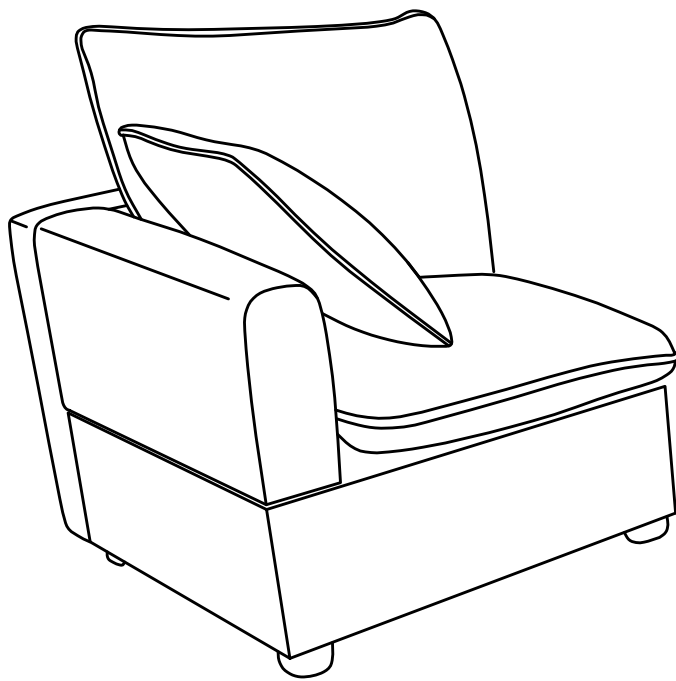
DIAGRAM 6 (Put the Cushion)

Place the Seat cushion (Part E) and Back cushion (Part J) and Pillow (Part N) on the sofa.

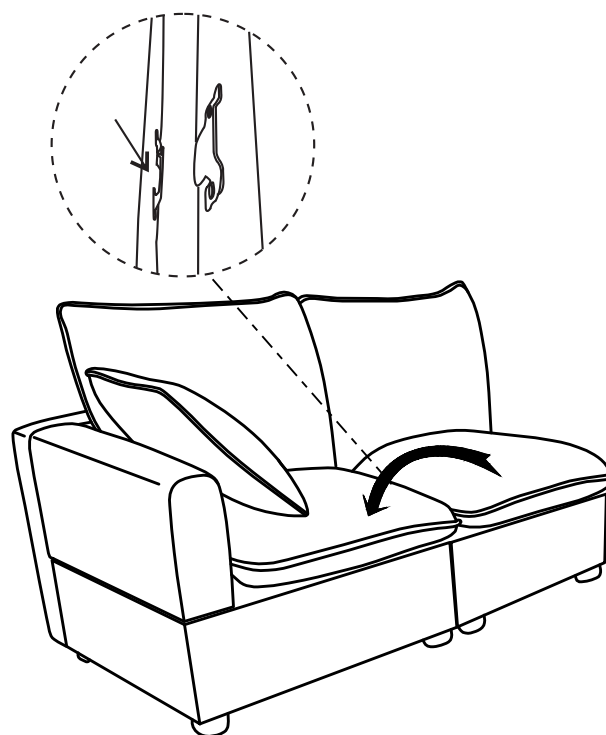


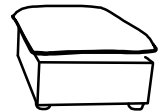
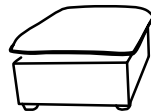
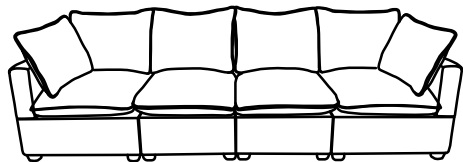
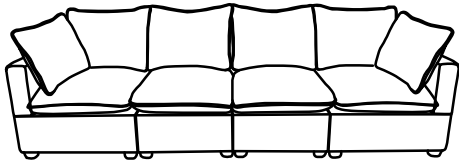
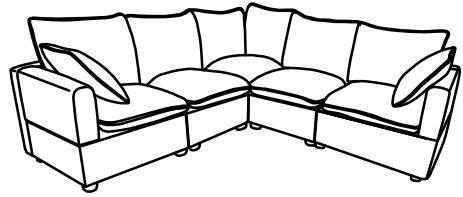
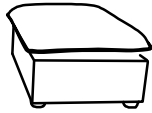
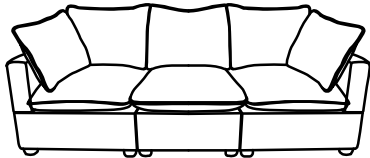
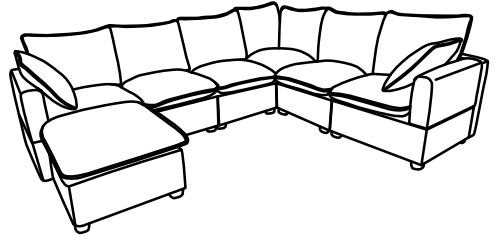
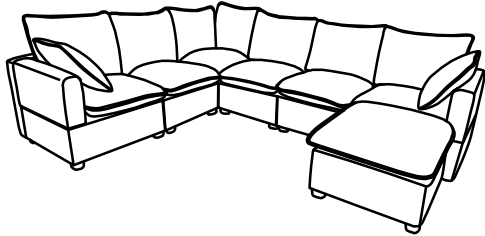
TIPS

1. Please do not open the compressed packages until your sofa frame is completely assembled.
2. Compressed back cushions and pillows need to be fully fulfilled within 72 hours for your perfect use.
3. Please keep children away from plastic bags or any small pieces of stuff.



Connect each Seat frame in turn right to left.



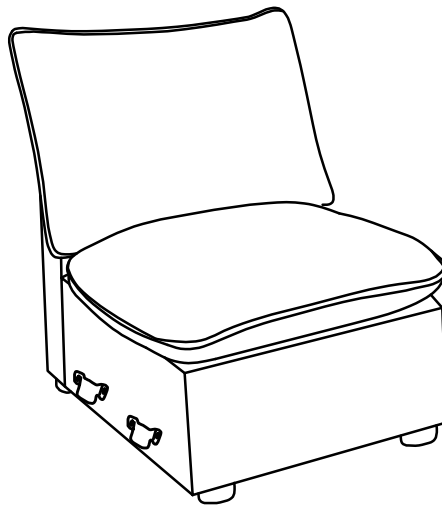


ASSEMBLY INSTRUCTION

WF321077

Friendly Reminder:





- 1.This part is packed in 1 box. Please assemble it After all boxes are received.
- 2.As the cushions are all vacuum compressed,there will be some wrinkles. Please give your cushions up to 72 hours to reach its original size and the wrinkles will basically disappear.
- 3.Please do not open the compressed packages until your sofa frame is completely assembled.




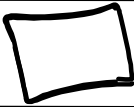
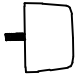


Return & Warranty policy:

- We strive to offer the highest quality products,and we also try our best to satisfy each and every customer that orders from us with replacement parts or service as needed.
- If the item is damaged or defective, please take photos as evidence for replacements and refunds.
- Please do not return to store,contact the seller if you have any troubles with this product.

ASSEMBLY INSTRUCTION

HARDWARE			
NO	DESCRIPTION	SKETCH	QTY
1	Washer		4
2	Gasket		4
3	Screws 8X60		4
4	Wrench		1

PARTS LIST WF321077			
NO	DESCRIPTION	SKETCH	QTY
B	Neutral seat frame		1
E	Seat cushion		1
G	Neutral back frame		1
J	Back cushion		1
R	Leg		4

ASSEMBLY INSTRUCTION

All parts and hardware.

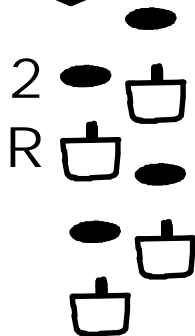
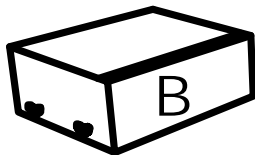
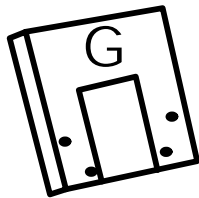
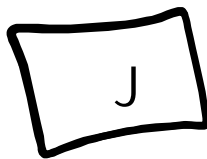


DIAGRAM 1 (Assemble the Leg)

2



4PCS

Tighten Legs (Part R) by Gasket (Hardware 2) on the Neutral seat frame (Part B) and Neutral back frame (Part G).

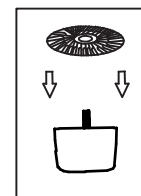
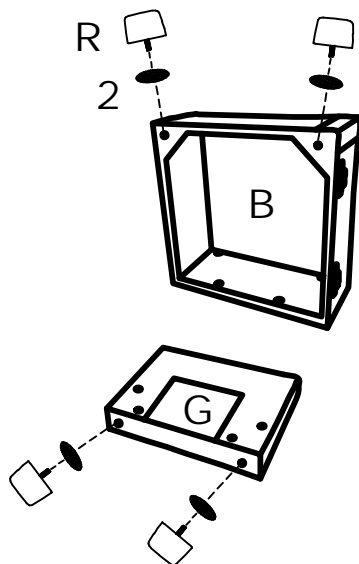


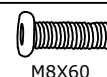
DIAGRAM 2 (Assemble the Back frame)

1



4PCS

3



M8X60

4PCS

Connect Neutral seat frame (Part B) and Neutral back frame (Part G) with Washer (Hardware 1) and Screws 8X60 (Hardware 3).

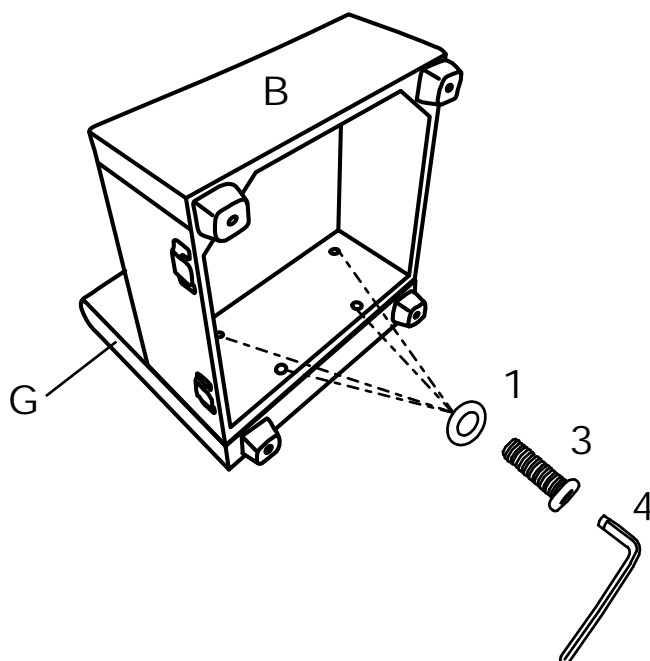
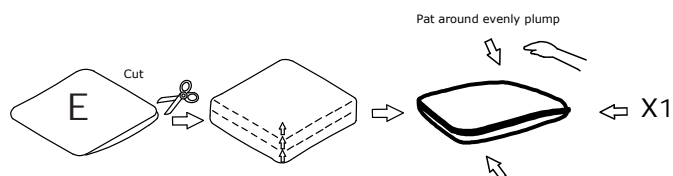


DIAGRAM 3 (Removal of compression bag)

Remove the Seat cushion (Part E).

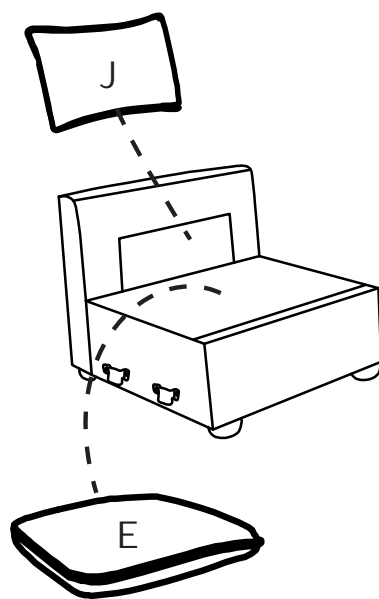


TIPS

1. Please do not open the compressed packages until your sofa frame is completely assembled.
2. Compressed back cushions and pillows need to be fully fulfilled within 72 hours for your perfect use.
3. Please keep children away from plastic bags or any small pieces of stuff.

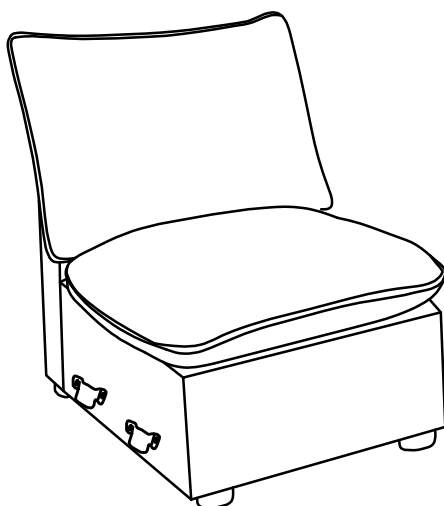
DIAGRAM 4 (Put the Cushion)

Place the Seat cushion (Part E) and Back cushion (Part J) on the sofa.

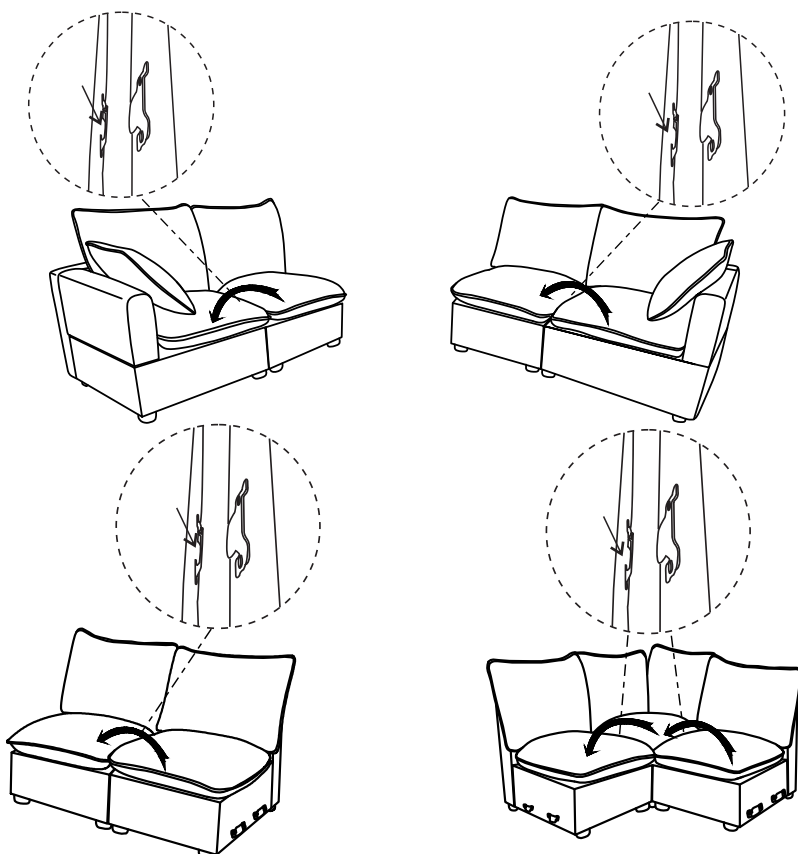


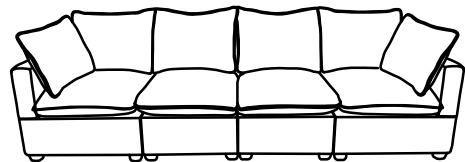
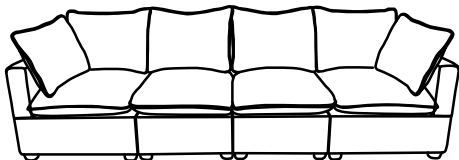
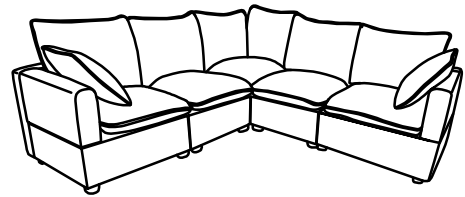
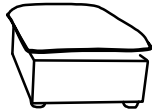
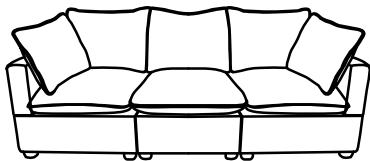
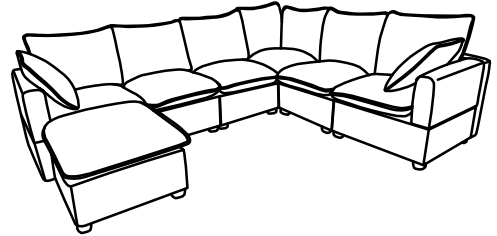
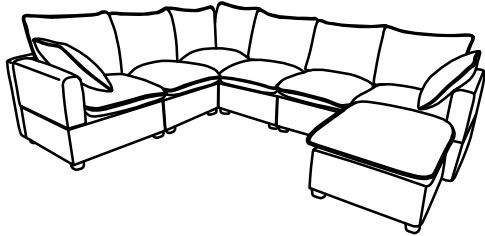
TIPS

1. Please do not open the compressed packages until your sofa frame is completely assembled.
2. Compressed back cushions and pillows need to be fully fulfilled within 72 hours for your perfect use.
3. Please keep children away from plastic bags or any small pieces of stuff.



Connect each Seat frame in turn right to left.



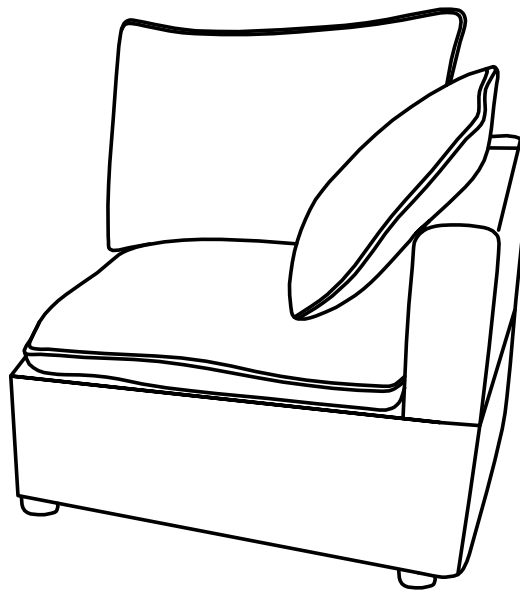


ASSEMBLY INSTRUCTION

WF321719

Friendly Reminder:

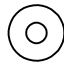




- 1.This part is packed in 1 box. Please assemble it After all boxes are received.
- 2.As the cushions are all vacuum compressed,there will be some wrinkles. Please give your cushions up to 72 hours to reach its original size and the wrinkles will basically disappear.
- 3.Please do not open the compressed packages until your sofa frame is completely assembled.

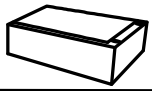

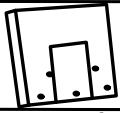



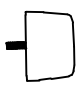


Return & Warranty policy:

- We strive to offer the highest quality products,and we also try our best to satisfy each and every customer that orders from us with replacement parts or service as needed.
- If the item is damaged or defective, please take photos as evidence for replacements and refunds.
- Please do not return to store,contact the seller if you have any troubles with this product.

ASSEMBLY INSTRUCTION

HARDWARE			
NO	DESCRIPTION	SKETCH	QTY
1	Washer		5
2	Gasket		4
3	Screws 8X60		5
4	Wrench		1
5	Insert		2

PARTS LIST WF321719			
NO	DESCRIPTION	SKETCH	QTY
D	Right seat frame		1
E	Seat cushion		1
O	Side back frame		1
J	Back cushion		1
M	Right armrest		1
N	Pillow		1
R	Leg		4

ASSEMBLY INSTRUCTION

All parts and hardwares.

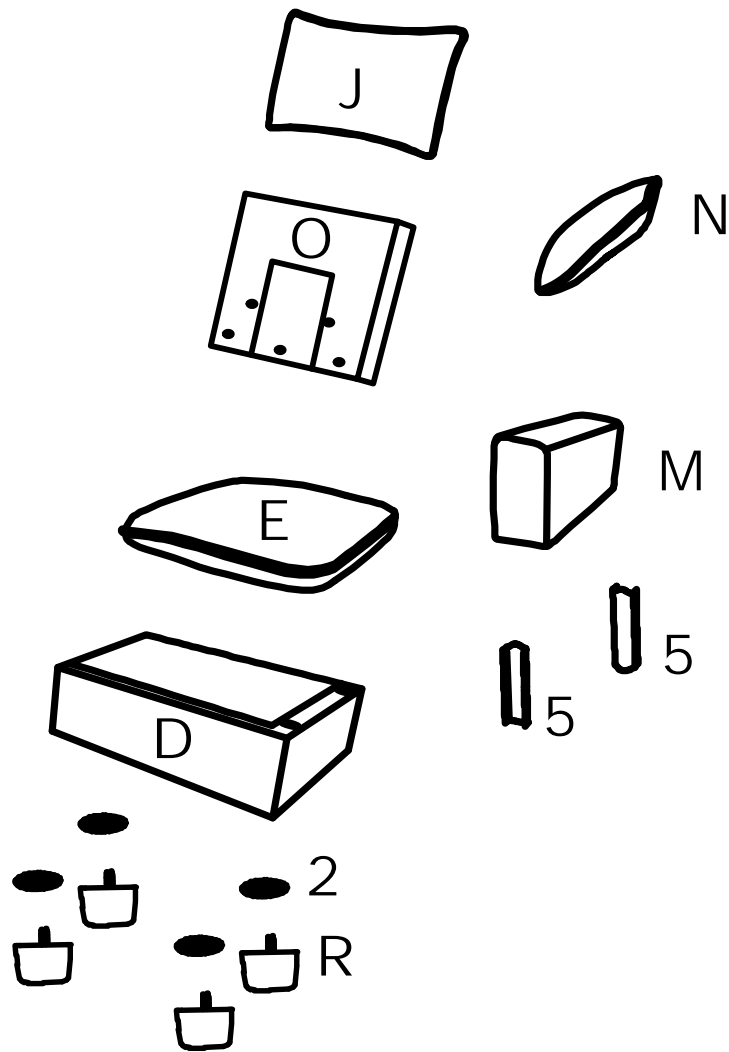


DIAGRAM 1 (Assemble the Insert)

Insert the Insert (Hardware 5) into the Right armrest (Part M).

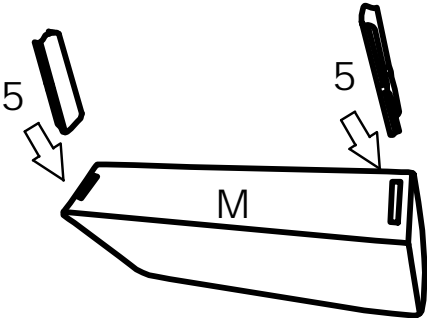


DIAGRAM 2 (Assemble the Armrest)

Insert the Right armrest (Part M) into the Right seat frame (Part D).

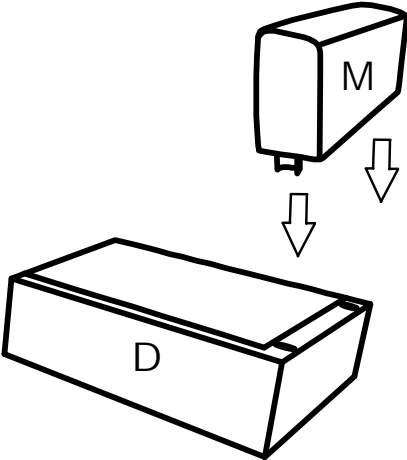



DIAGRAM 3 (Assemble the Leg)

2		4PCS
---	---	------

Tighten Legs (Part R) by Gasket (Hardware 2) on the Right seat frame (Part D) and Side back frame (Part O).

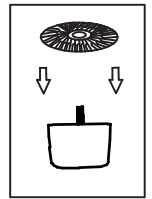
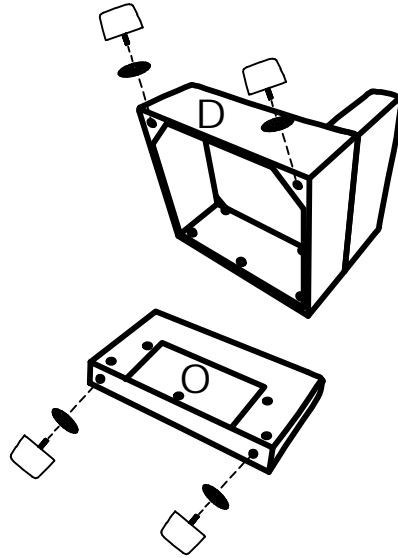




DIAGRAM 4 (Assemble the Back frame)

1		5PCS
3	 M8X60	5PCS

Connect Right seat frame (Part D) and Side back frame (Part O) with Washer (Hardware 1) and Screws 8X60 (Hardware 3).

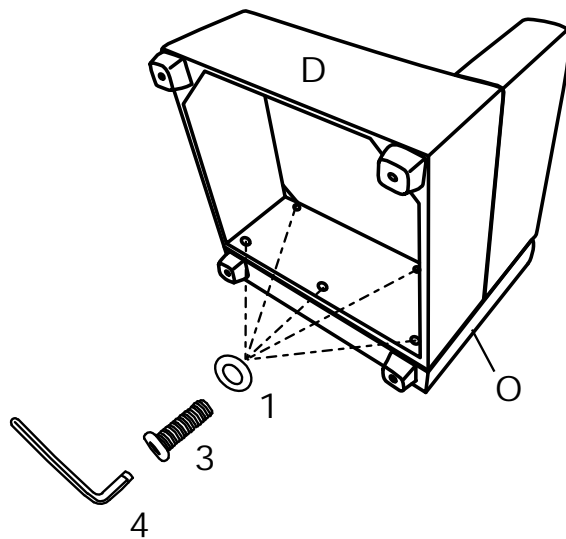
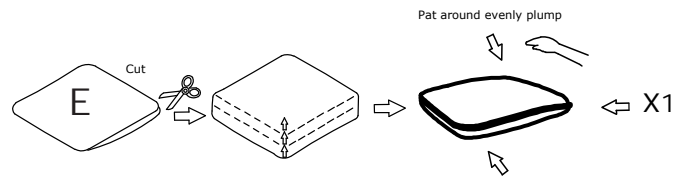


DIAGRAM 5 (Removal of compression bag)

Remove the Seat cushion (Part E).

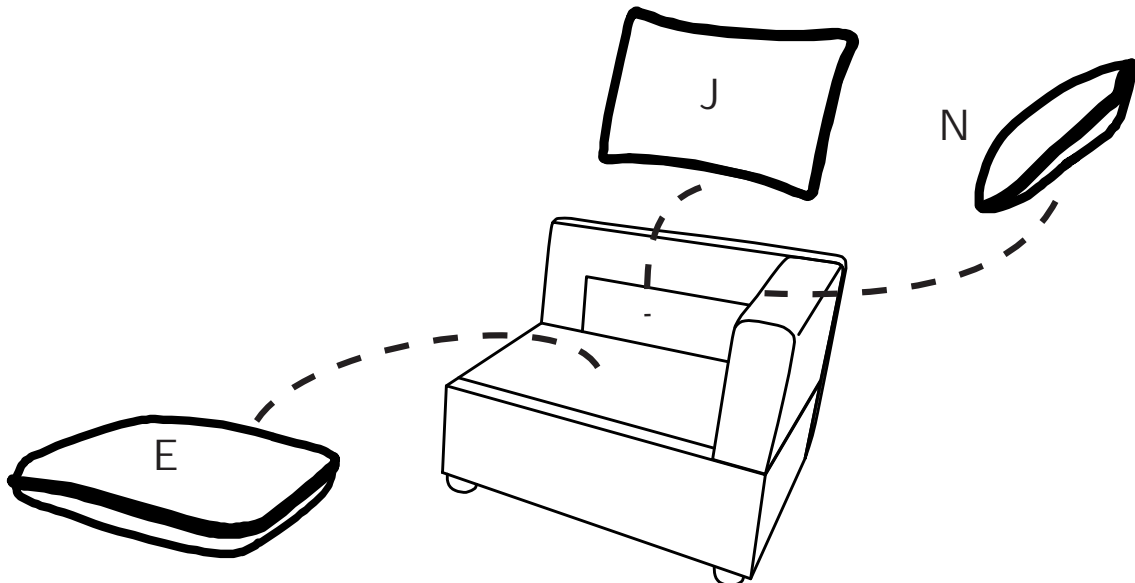


TIPS

1. Please do not open the compressed packages until your sofa frame is completely assembled.
2. Compressed back cushions and pillows need to be fully fulfilled within 72 hours for your perfect use.
3. Please keep children away from plastic bags or any small pieces of stuff.

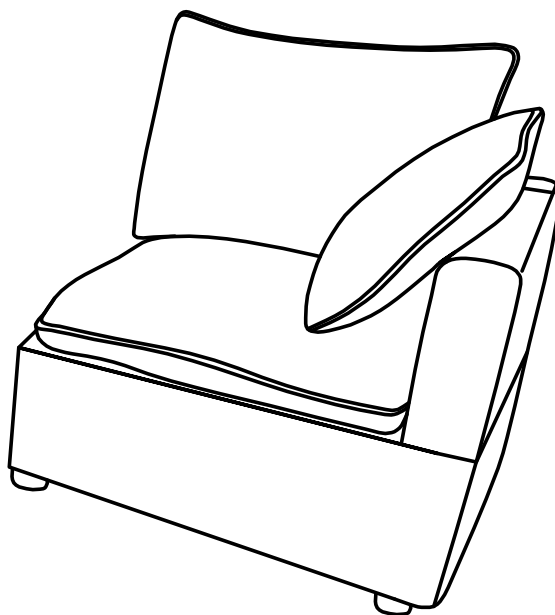
DIAGRAM 6 (Put the Cushion)

Place the Seat cushion (Part E) and Back cushion (Part J) and Pillow (Part N) on the sofa.

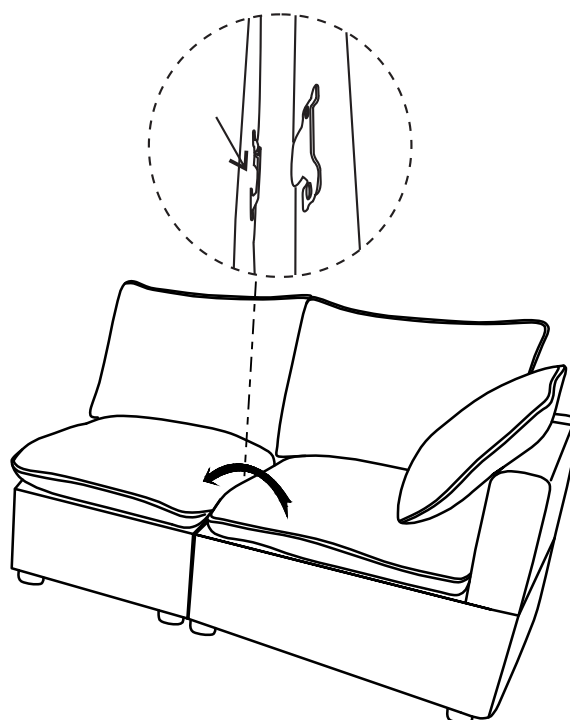


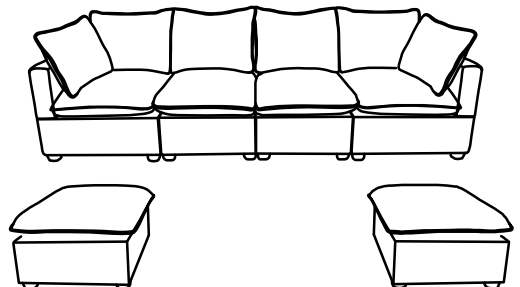
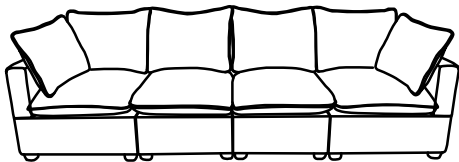
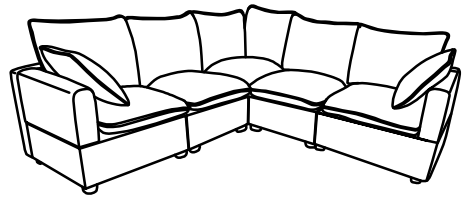
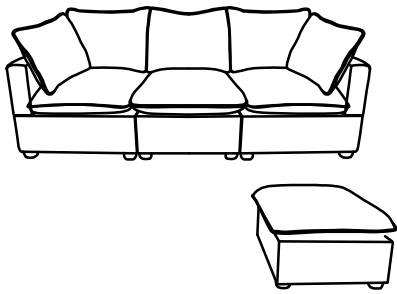
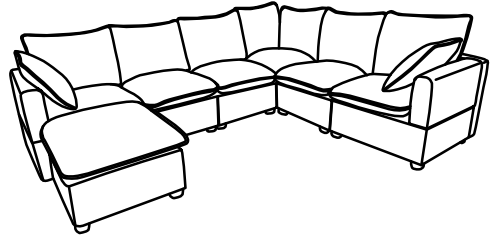
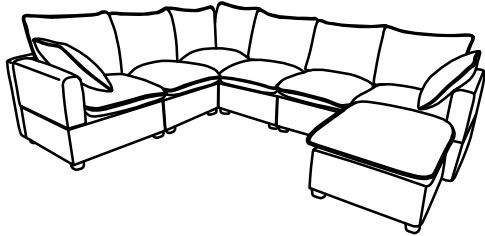
TIPS

1. Please do not open the compressed packages until your sofa frame is completely assembled.
2. Compressed back cushions and pillows need to be fully fulfilled within 72 hours for your perfect use.
3. Please keep children away from plastic bags or any small pieces of stuff.



Connect each Seat frame in turn right to left.



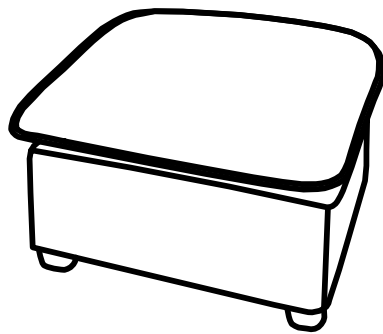


ASSEMBLY INSTRUCTION

WF321079

Friendly Reminder:


- 1.This part is packed in 1 box. Please assemble it After all boxes are received.
- 2.As the cushions are all vacuum compressed,there will be some wrinkles. Please give your cushions up to 72 hours to reach its original size and the wrinkles will basically disappear.
- 3.Please do not open the compressed packags until your sofa frame is completely assembled.



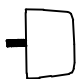


Return & Warranty policy:

- We strive to offer the highest quality products,and we also try our best to satisfy each and every customer that orders from us with replacement parts or service as needed.
- If the item is damaged or defective, please take photos as evidence for replacements and refunds.
- Please do not return to store,contact the seller if you have any troubles with this product.

ASSEMBLY INSTRUCTION

HARDWARE			
NO	DESCRIPTION	SKETCH	QTY
2	Gasket		4

PARTS LIST WF321079			
NO	DESCRIPTION	SKETCH	QTY
P	Ottoman frame		1
Q	Ottoman cushion		1
R	Leg		4

ASSEMBLY INSTRUCTION

All parts and hardwares.

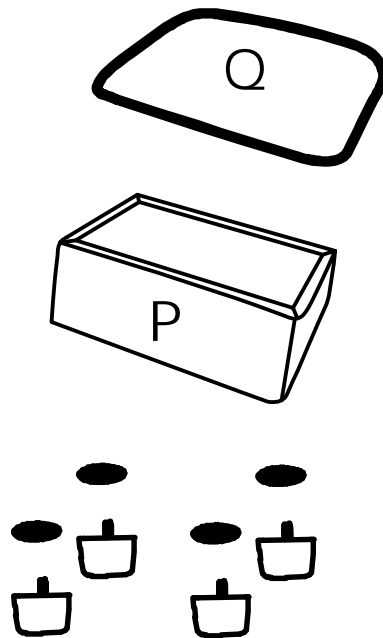


DIAGRAM 1 (Assemble the Leg)

2



4PCS

Tighten Legs (Part R) by Gasket (Hardware 2) on the Ottoman frame (Part P) .

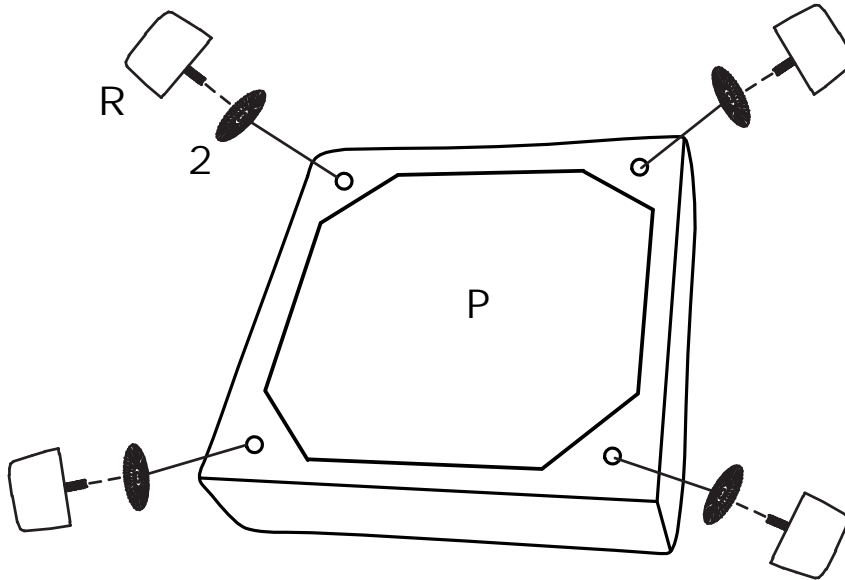
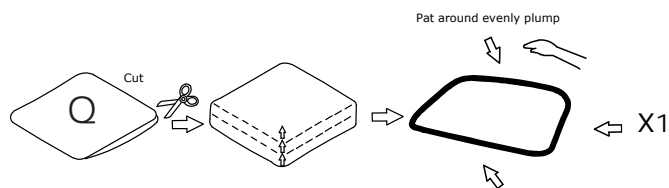


DIAGRAM 2 (Removal of compression bag)

Remove the Ottoman cushion (Part Q) .

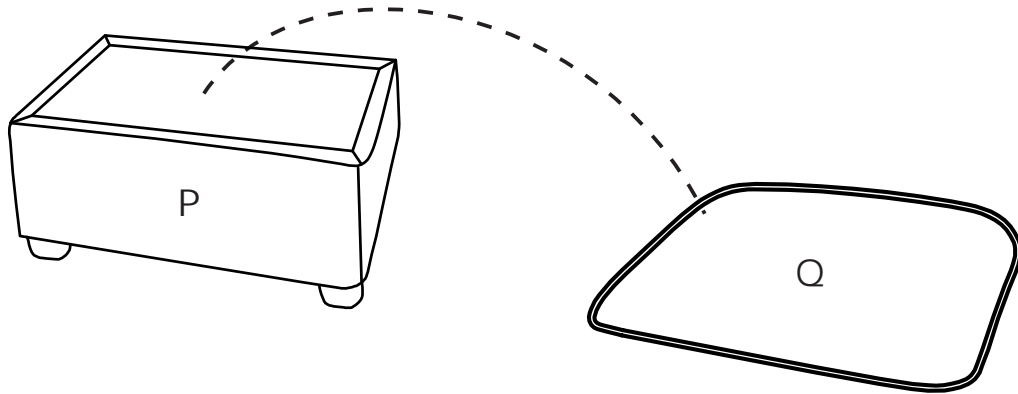


TIPS

1. Please do not open the compressed packages until your sofa frame is completely assembled.
2. Compressed back cushions and pillows need to be fully fulfilled within 72 hours for your perfect use.
3. Please keep children away from plastic bags or any small pieces of stuff.

DIAGRAM 3 (Put the Ottoman cushion)

Place the Ottoman cushion (Part Q) on the Ottoman frame (Part P) .



TIPS

1. Please do not open the compressed packages until your sofa frame is completely assembled.
2. Compressed back cushions and pillows need to be fully fulfilled within 72 hours for your perfect use.
3. Please keep children away from plastic bags or any small pieces of stuff.

