

# INSTALLATION REQUIREMENTS

## Tools Required



ADJUSTABLE  
PIPEWRENCH



ADJUSTABLE  
WRENCH



UTILITYKNIFE



PLIERS



TAPEMEASURE



LEVELER



SAFETYSHOES







SAFETYGLASSES



SCREWDRIVER

## Materials Required

- Plumbers Putty
- Gypsum Cement(optional)
- Protective Covering for the Bathtub
- Wall Coverings (as necessary)
- Construction Adhesive(optional)
- Silicone Sealant/Caulking
- Nails

INCLUDE PARTS	DESCRIPTION
	Flexible Tube
	P-Trap
	Adapter
	Bathtub

### INSTALLATION NOTES

- Read the entire installation manual before beginning the installation. If installing a rim-mounted faucet (only on certain models), make sure there is no interference with the overflow drain before drilling any holes
- Position a protective covering or similar material in the bottom of the unit to protect the bathtub's surface from being scratched

### CLEARANCE REQUIREMENTS

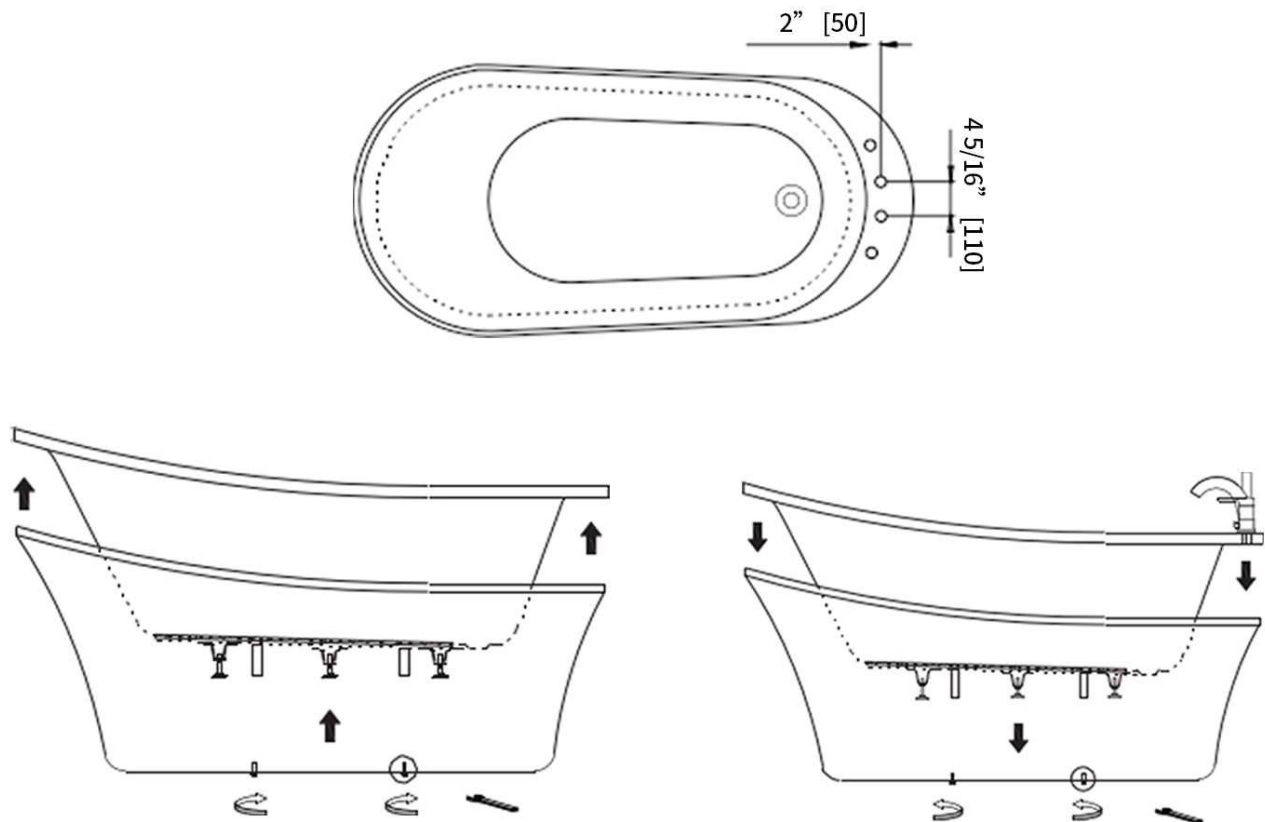
- Measure the area where you intend to install the bathtub to ensure you have adequate space available for the installation

### SITE REQUIREMENTS

#### Sub-floor Preparation

- Check the flooring where the bathtub is going to be installed and make repairs as needed. Make sure the sub-floor is level. It is strongly recommended to prepare a waterproof layer for the sub-floor beforehand

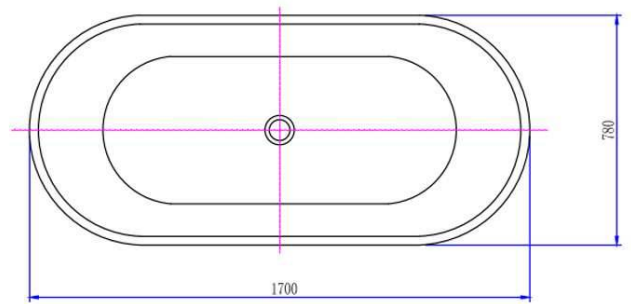
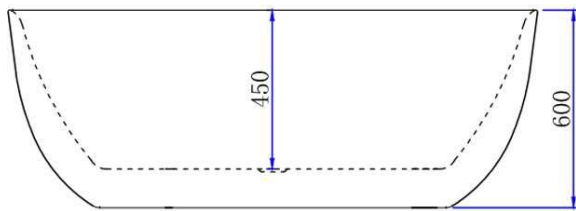
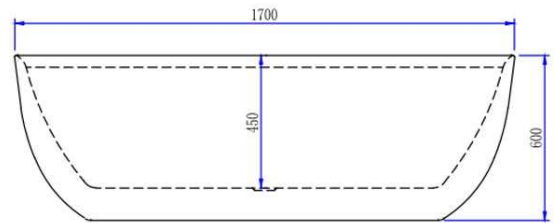
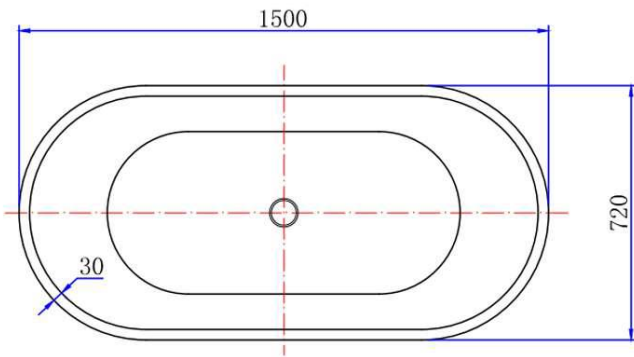
## FAUCET INSTALLATION ON THE BATHTUB (OPTIONAL) INSTALLATION DU ROBINET SUR LA BAIGNOIRE (OPTIONNEL)



- Locate where you will drill the holes into the acrylic, and stick masking tape onto that area. This will prevent the acrylic from chipping
- Drill holes for the faucets on the bathtub at the desired location
- Unscrew the bolts at the bottom of the bathtub using an adjustable key. Then carefully take out the top of the tub and place it on a throw rug or other protective floor covering to prevent damage to the bath and the floor
- Install the faucets according to the faucets' manufacturer instructions. Then assemble the top of the bathtub with the skirt, and secure the bolts at the bottom as shown in the illustration

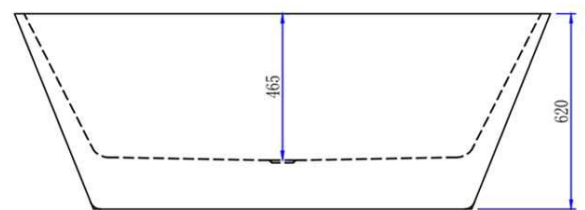
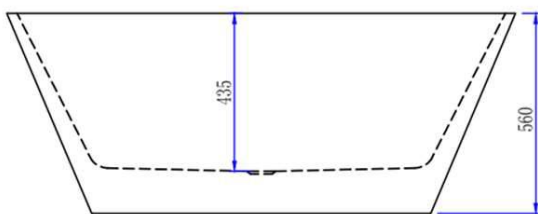
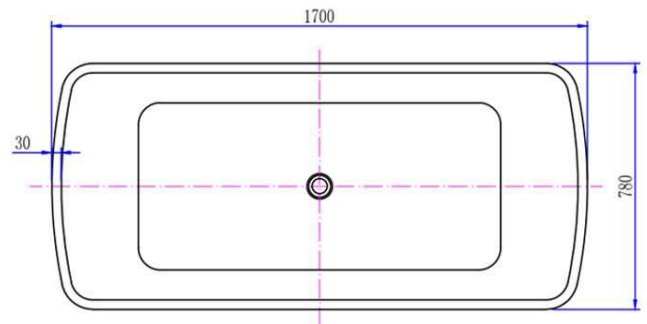
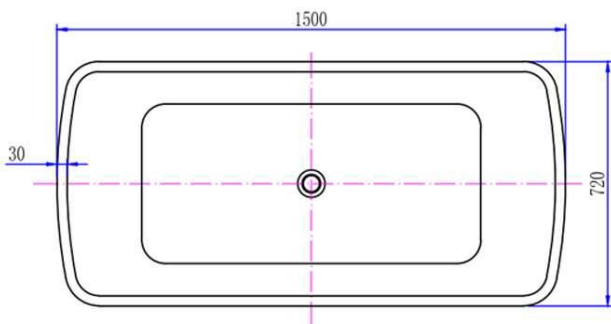
**Notes: Check all pipe connections to ensure no leakage occurs.**

# SPECIFICATION



84572

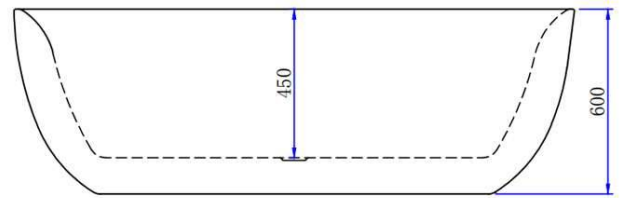
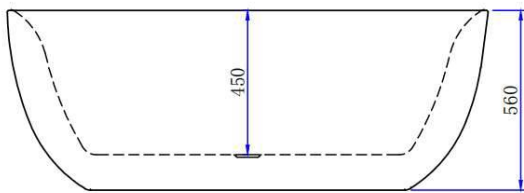
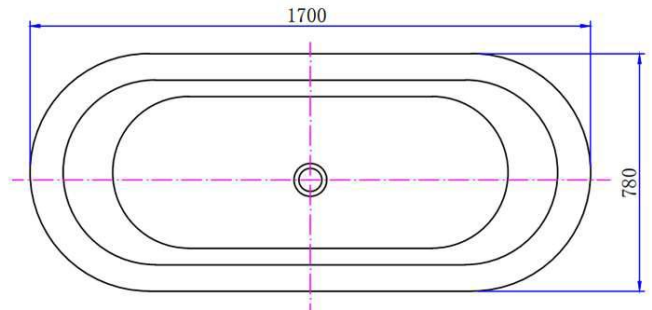
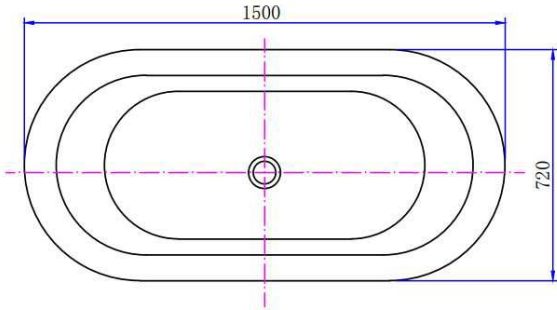
84778



27572

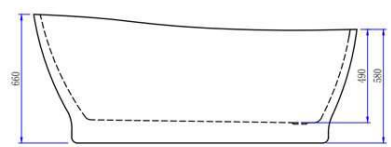
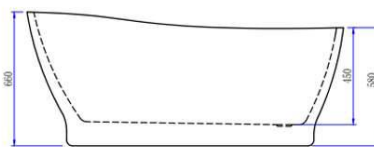
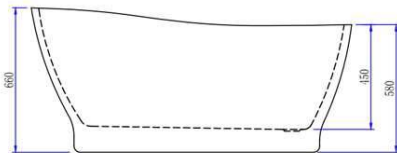
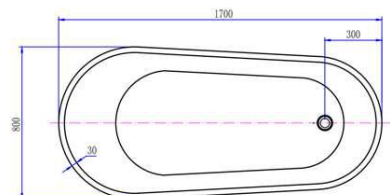
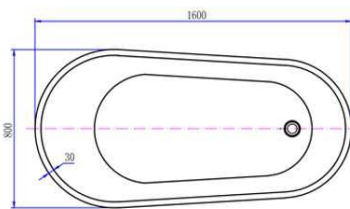
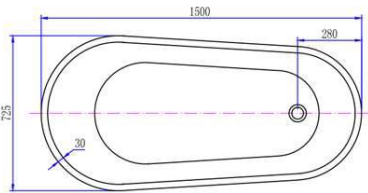
27778

# SPECIFICATION



44572

44778

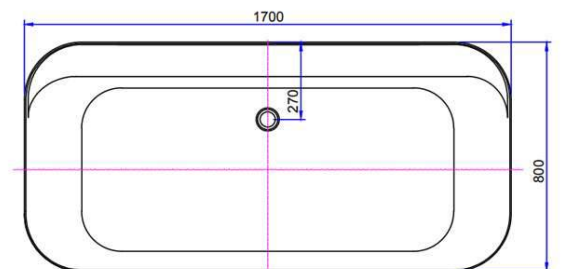
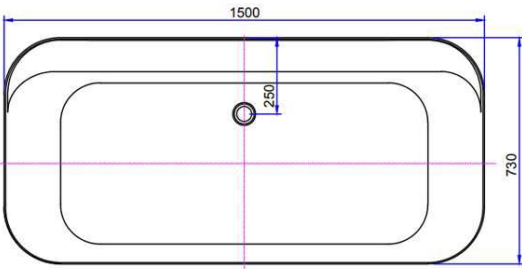
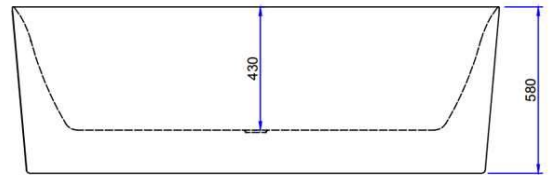
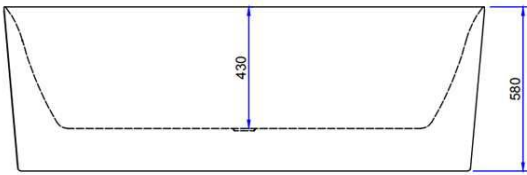


21572

21680

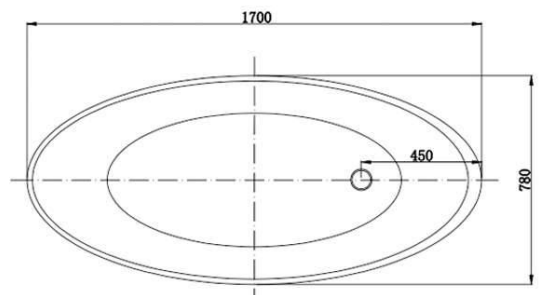
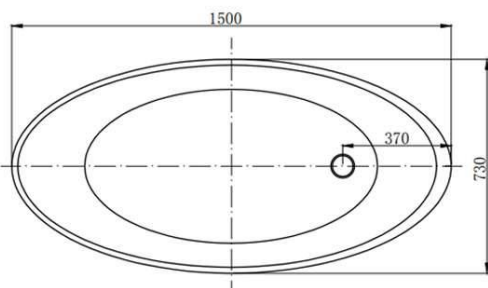
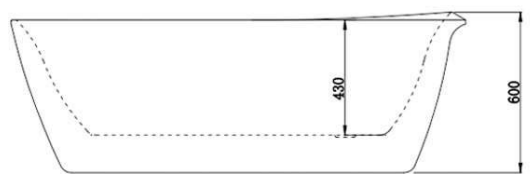
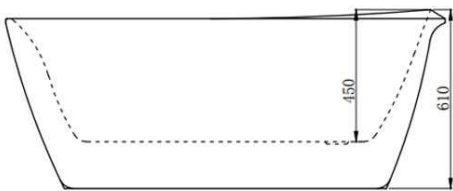
21785

# SPECIFICATION



116573

116780

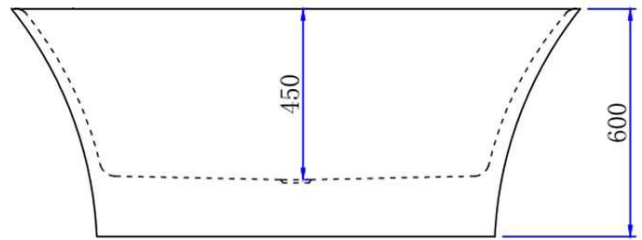
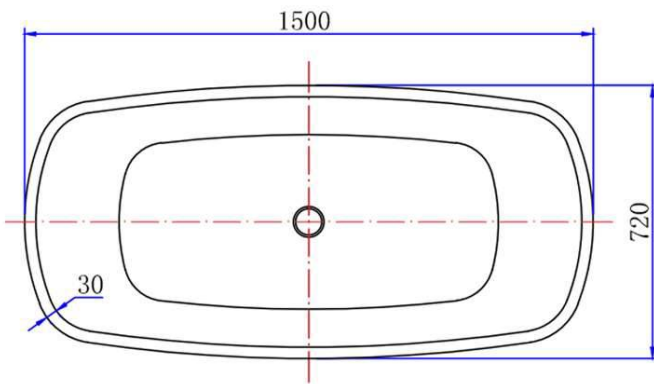


125573

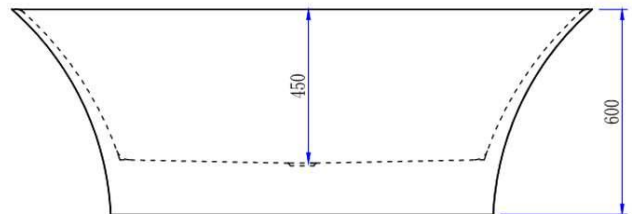
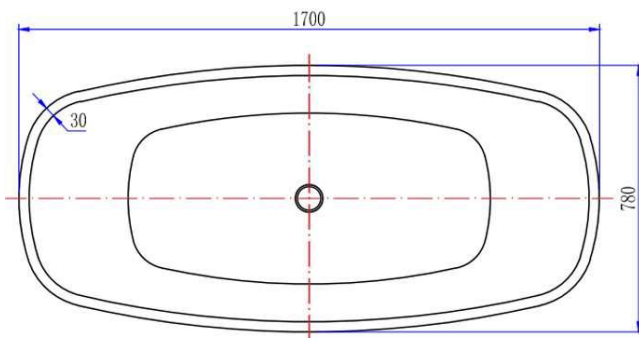
125778

# SPECIFICATION

---

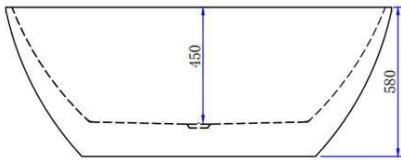
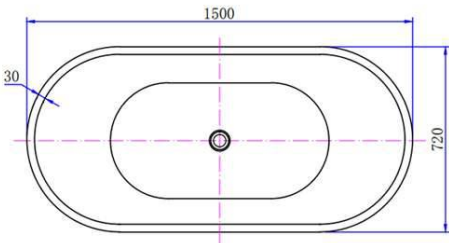


80572

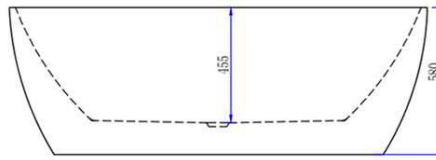
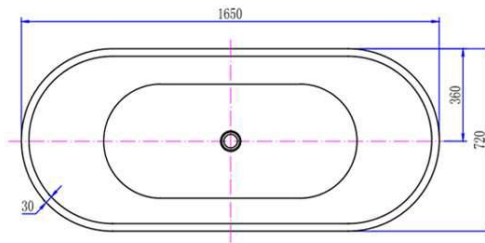


80778

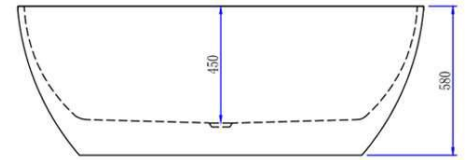
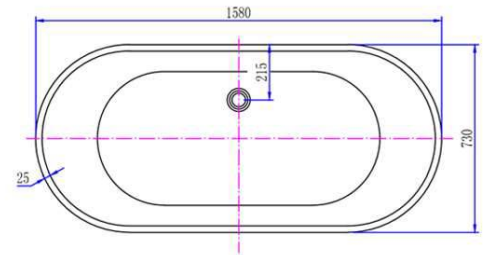
# SPECIFICATION



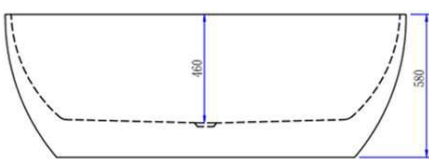
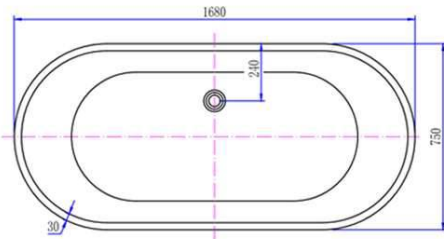
11572



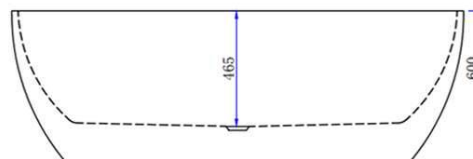
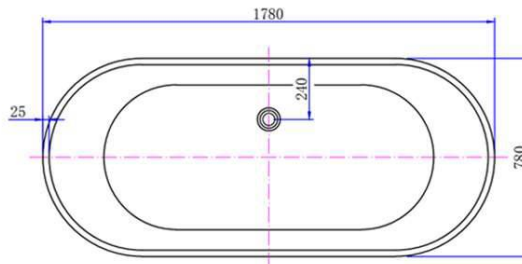
11672



11673

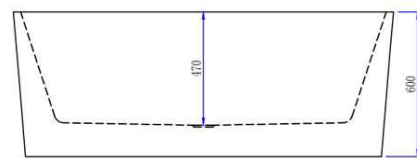
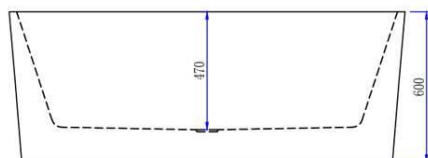
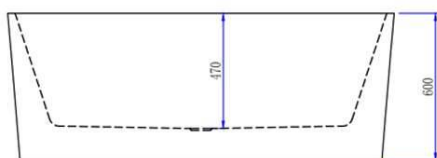
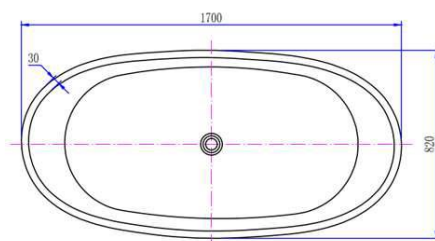
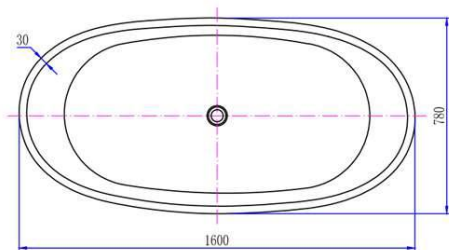
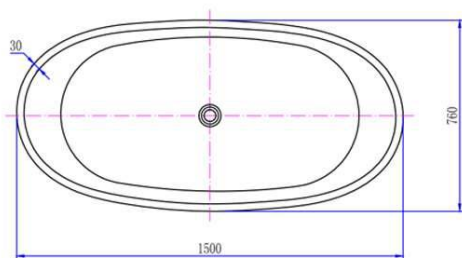


11775



11878

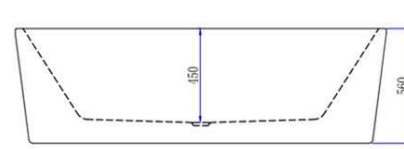
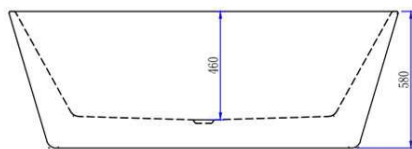
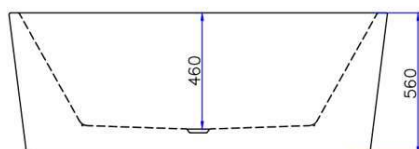
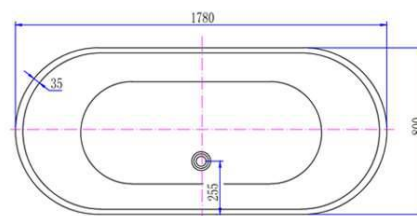
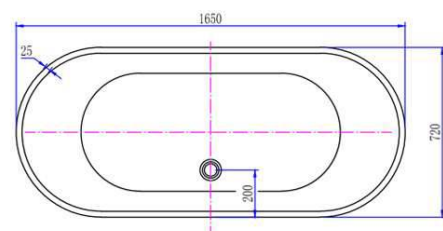
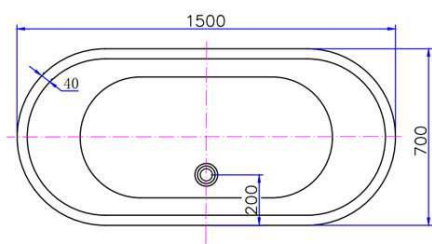
# SPECIFICATION



16576

16678

16782



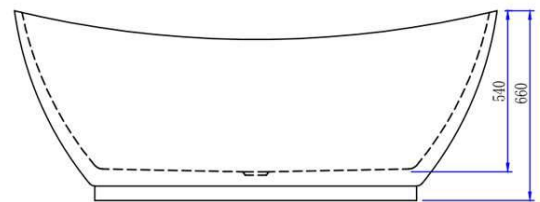
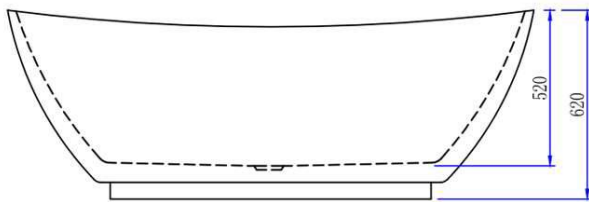
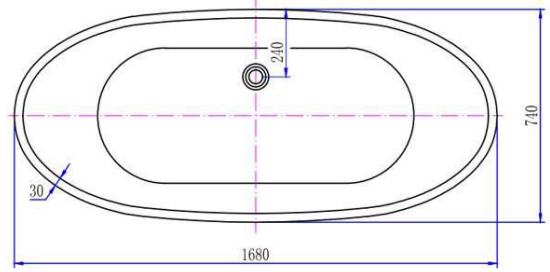
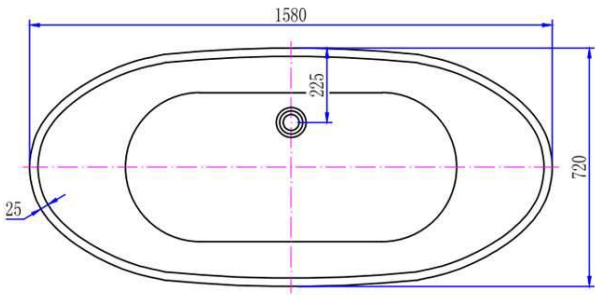
1581

1681

1881

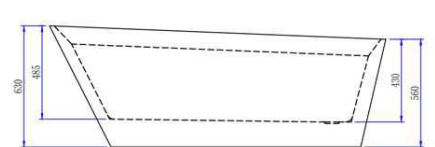
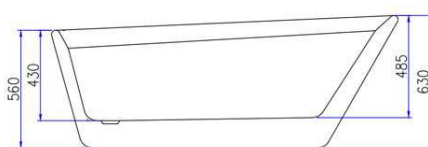
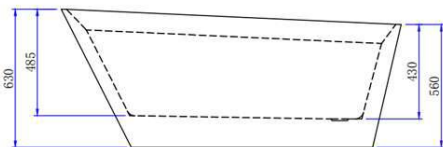
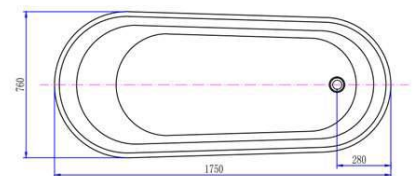
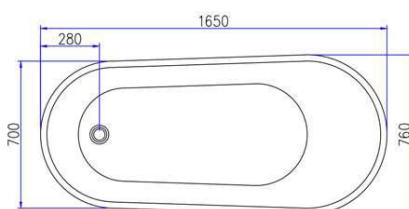
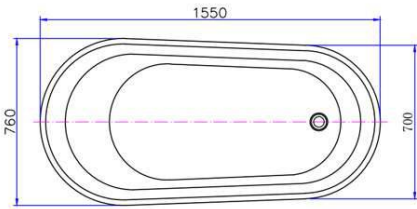


# SPECIFICATION



10672

10774

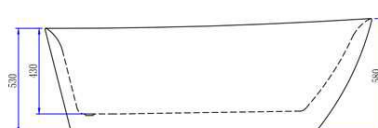
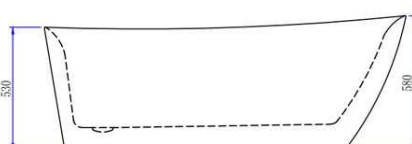
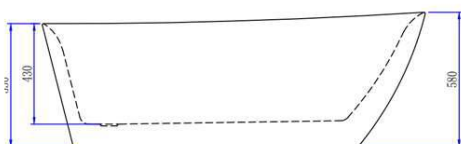
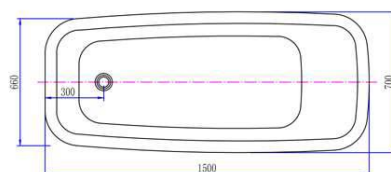
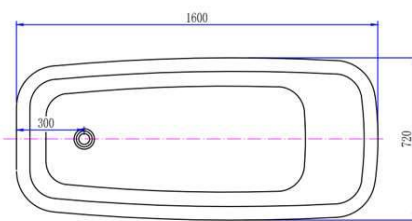
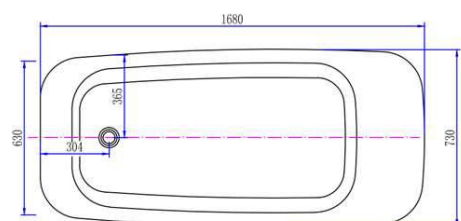


1506B

1606B

1706B

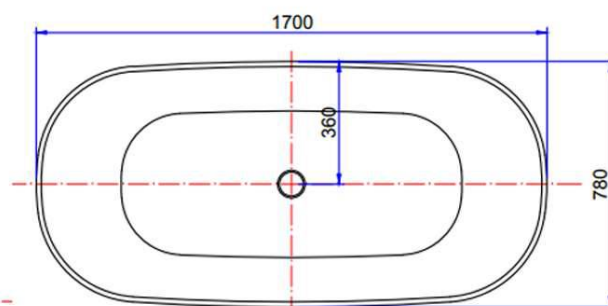
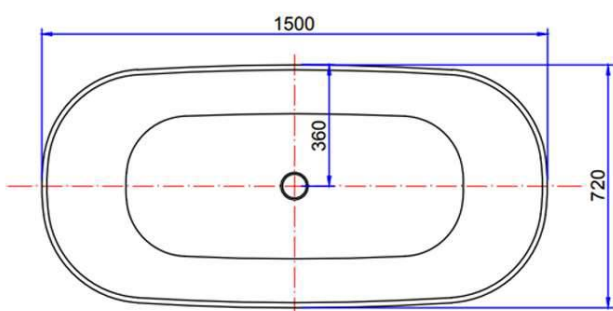
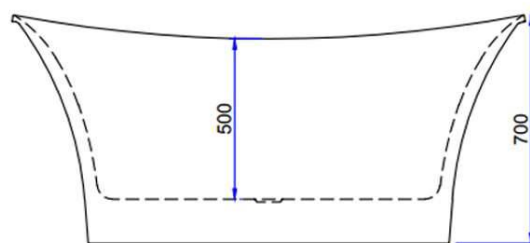
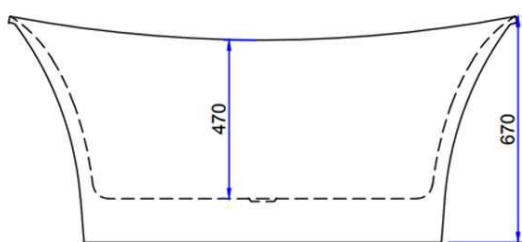
# SPECIFICATION



9773

9672

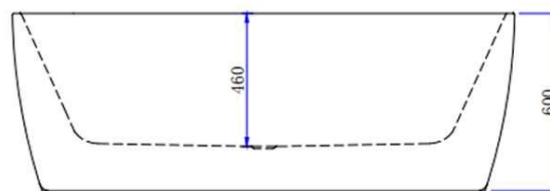
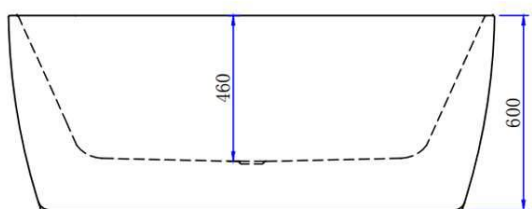
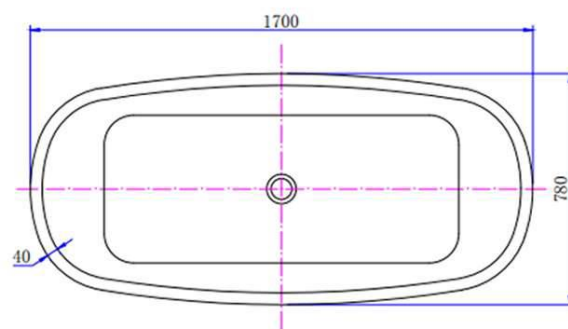
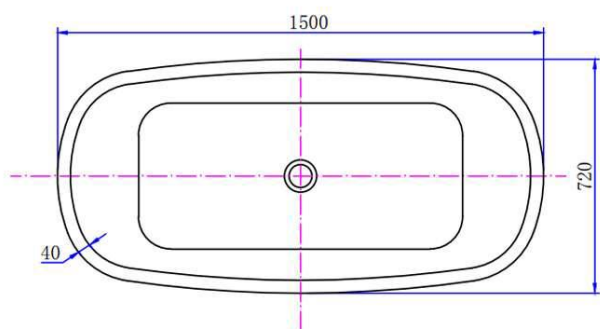
9570



93572

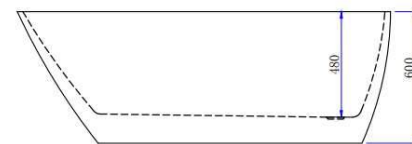
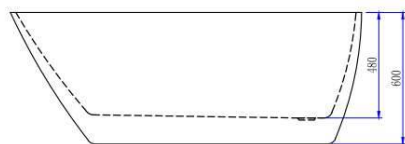
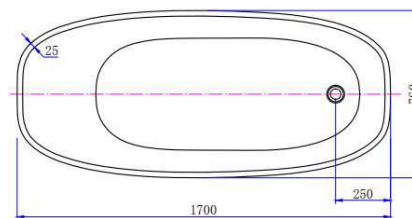
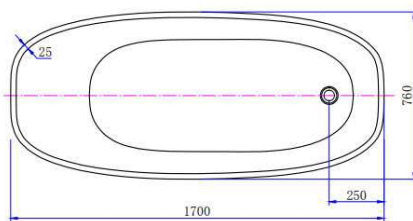
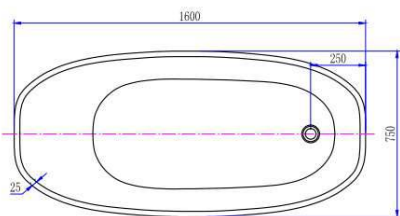
93778

# SPECIFICATION



43572

43778

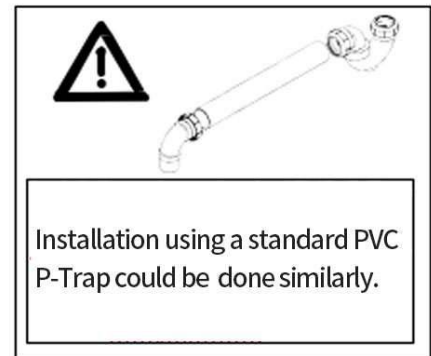
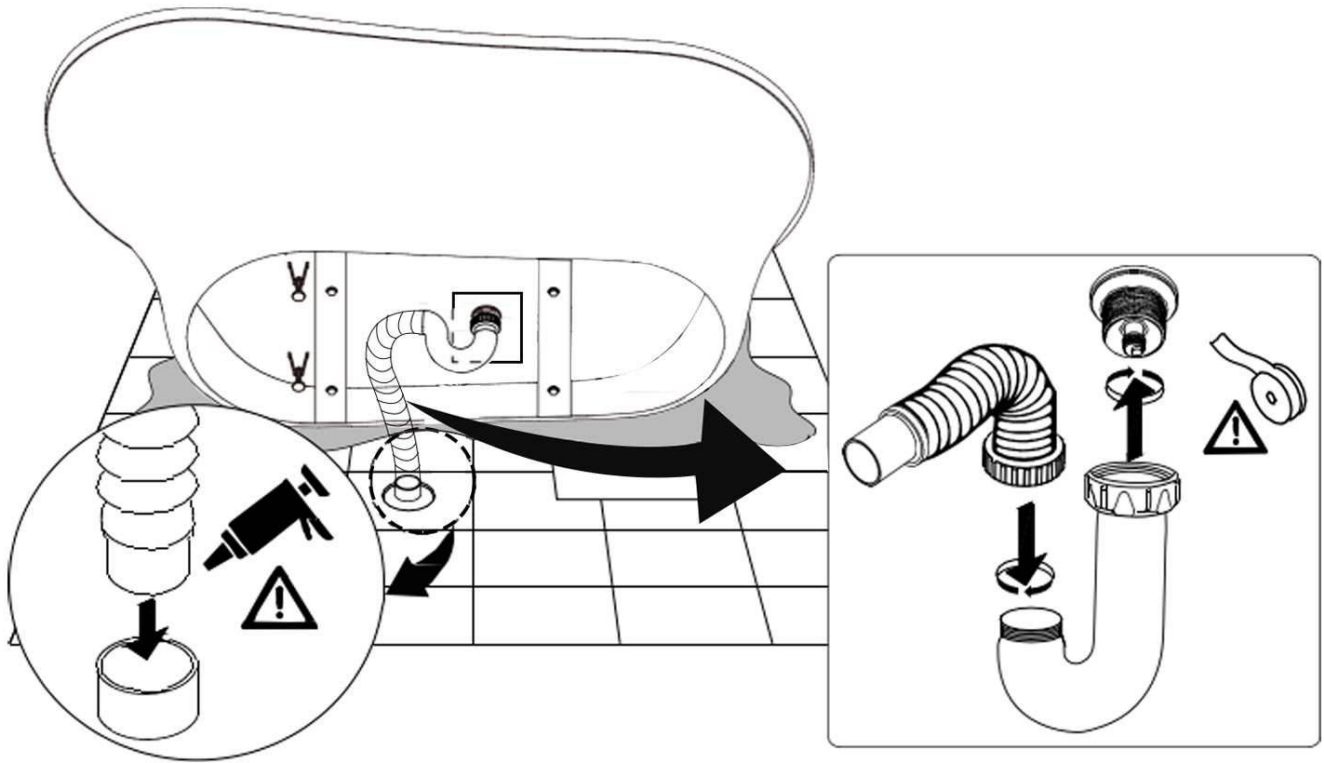


15575

15675

15776

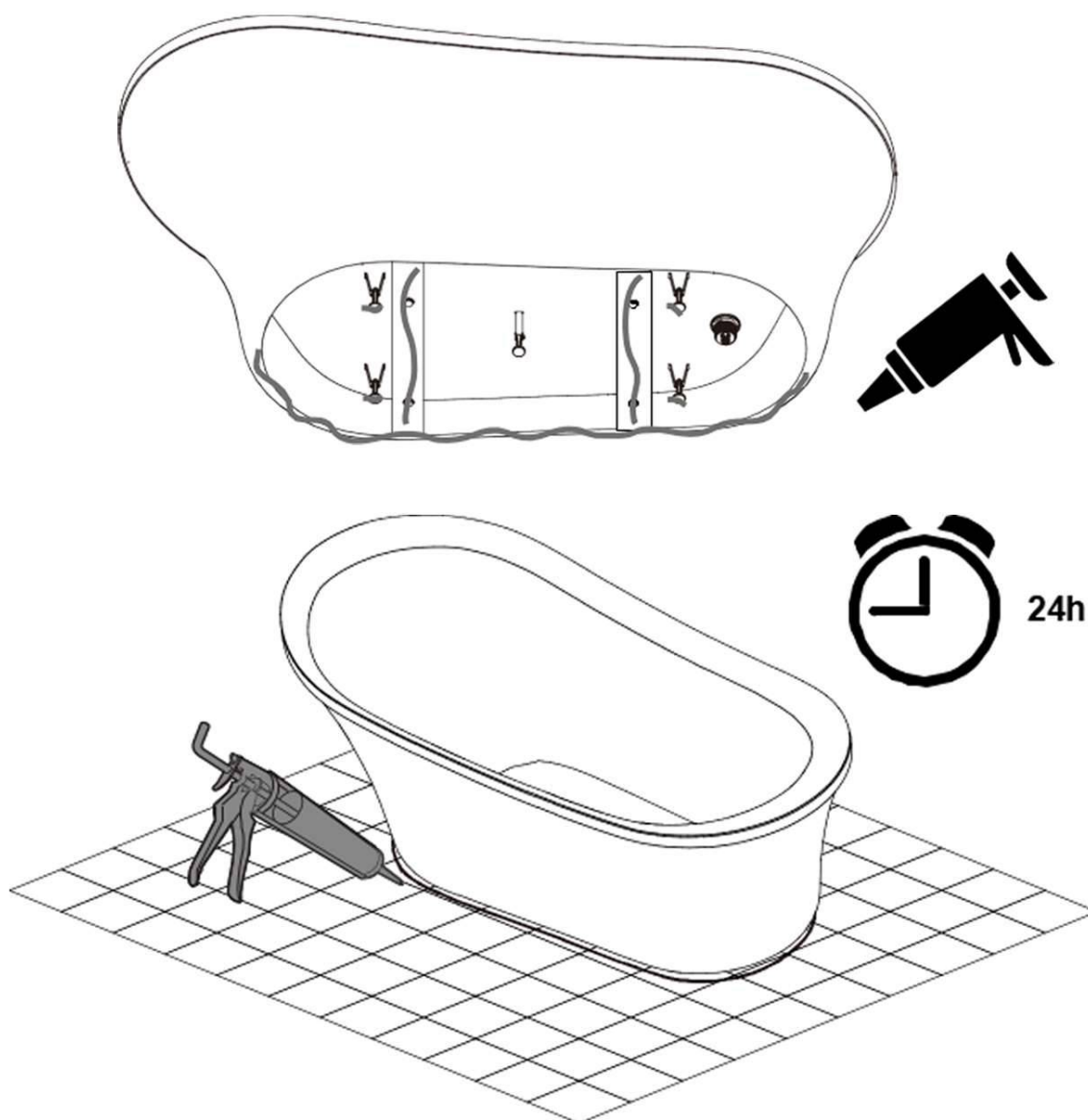
# INSTALLATION (Option #1)



## Option #1

- Screw the supplied Adapter to the preinstalled bathtub drain. Use Teflon tape and/or sealant
- Connect the P-Trap to the Adapter using PVC pipe sealant to adequately join the two parts
- Then, as shown in the illustration, connect the P-Trap to the Flexible Tube
- Connect the Flexible Tube to your existing floor drain as illustrated, using PVC pipe sealant to join the parts together

# SECURING THE BATHTUB



**BEFORE FIXING THE BATHTUB TO THE FLOOR, MAKE SURE YOU HAVE INSTALLED YOUR FAUCET(IF APPLICABLE) AND THAT YOU HAVE CHECKED FOR LEAKS**

- Test for leak by filling up the tub and let it drain. Then check all plumbing connections for leaks
- Fix the bathtub to the floor by applying a strong Tub &Tile Adhesive under each edges of the tub that will be in contact with the floor: The rim, the lateral bars and the feet
- Finally, for a professional finish, draw a bead of silicone around the base
- Let it dry for 24 hours