

Parts List

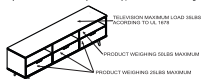
Part Number	Description	Quantity
1	Top Panel	1
2	Shelf	1
3	Base	1
4	Center Upper Panel	1
5	Center Bottom Panel	2
6	Left Side Panel	1
7	Right Side Panel	1
8	Feet	2
9	Upper Back Panel	1
10	Back Panel	1
11	Drawer Front	3
12	Drawer Left Side	3
13	Drawer Right Side	3
14	Drawer Bottom	3
15	Drawer Back	3
17	Drawer Slide	6

WARNING Serious or fatal crushing injuries can occur from tip-over. To help prevent tip-over, install tip restraints per instructions.

If using to support a television or monitor:
 - For use with televisions weighing 55lbs (25.4kg) or less and no wider than this product. Use with heavier televisions may result in instability causing tip-over, resulting in death or serious injury.
 - Death or serious injury may occur when children climb on audio or video equipment furniture. Remote control or toys placed on the furnishing may encourage a child to climb on the furnishing and as a result the furnishing may tip over on the child.
 - Do not place TV near the front edge of the product.

To further reduce the risk of serious injury and death from tip-overs:
 - Place heaviest items in the lowest compartments or drawers.
 - Never allow children to climb or hang on drawers, doors or shelves.
 - Never open more than one drawer at a time.


The use of tip-over restraints may only reduce, but not eliminate the risk of tip-over.
 For safe mounting, it is essential to use wall anchors appropriate to your wall type (i.e., plaster, drywall, concrete, etc.).
 Mount to wood studs wherever possible. Note: if you are unsure about your wall type or what mounting method you should use, consult a qualified professional or your local hardware store.



TELEVISION MAXIMUM LOAD SHALL EXCEEDING 101.4, 10.9

PRODUCT WEIGHING 55LBS MAXIMUM

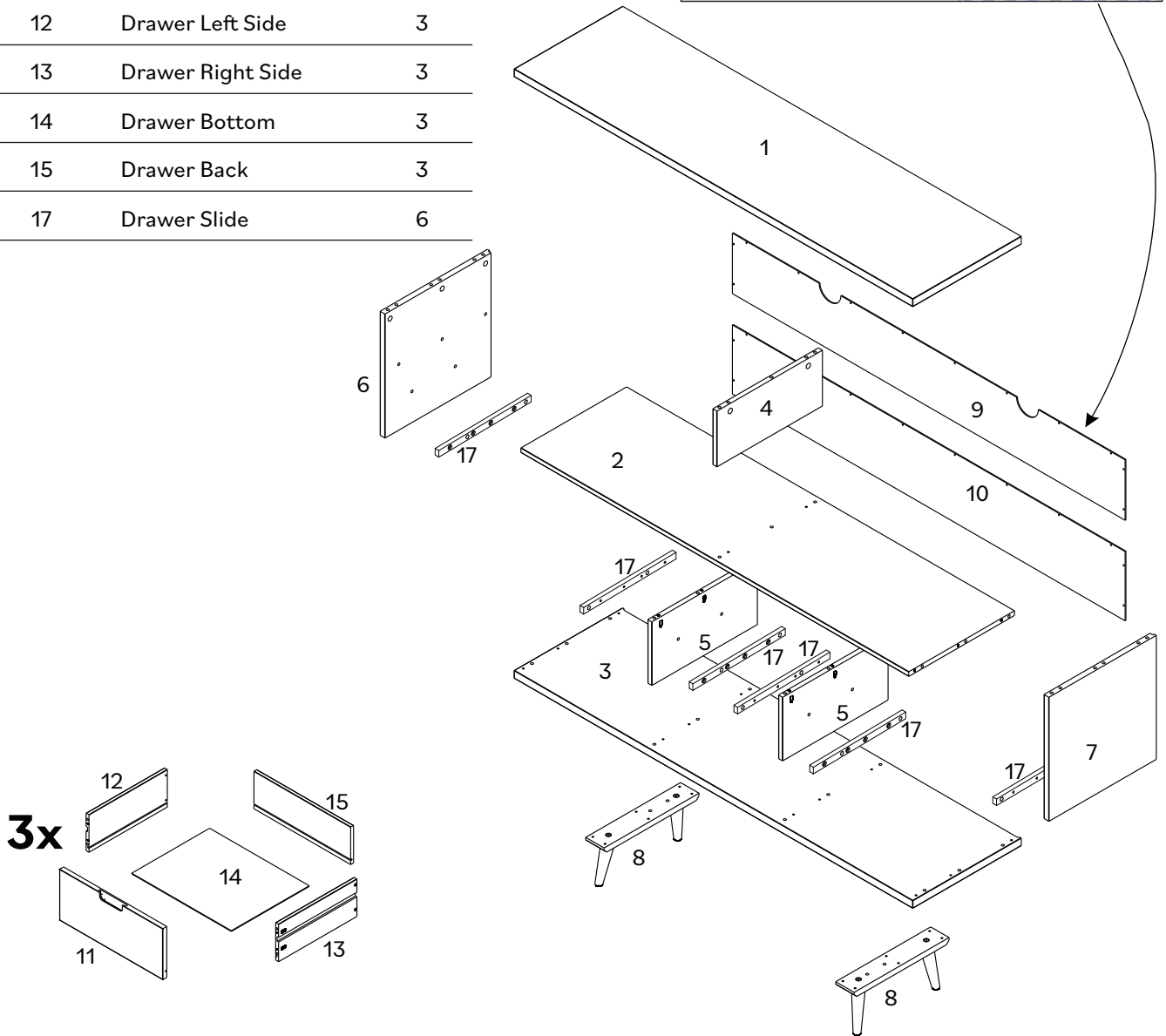
WALKER EDISON
 Ivy
 Distribution and responsible for the anti-tip hardware:
 Walker Edison Furniture Company
 1553 W 9000 S, West Jordan, UT 84088 United States



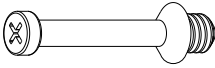


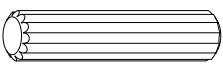

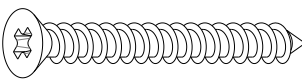

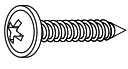
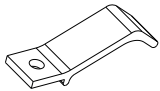

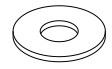


Model: **W58IV3DCA**
 LOT: **ST2505-003**
 Date: **29/2025**
 Rev. **12/2024 V1**

CANFER compliant / conforme au CANFER
 TSCA Title VI compliant / conforme au titre VI de la TSCA
 TSCA Title VI certified / certifié conformément au titre VI de la TSCA
 California 93120 Compliant for Formaldehyde / Conforme à la norme Californie 93120 pour le formaldéhyde.

For details on Assembly Videos, Assembly Instructions, Replacement Parts and Customer Service. SCAN HERE.

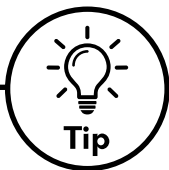
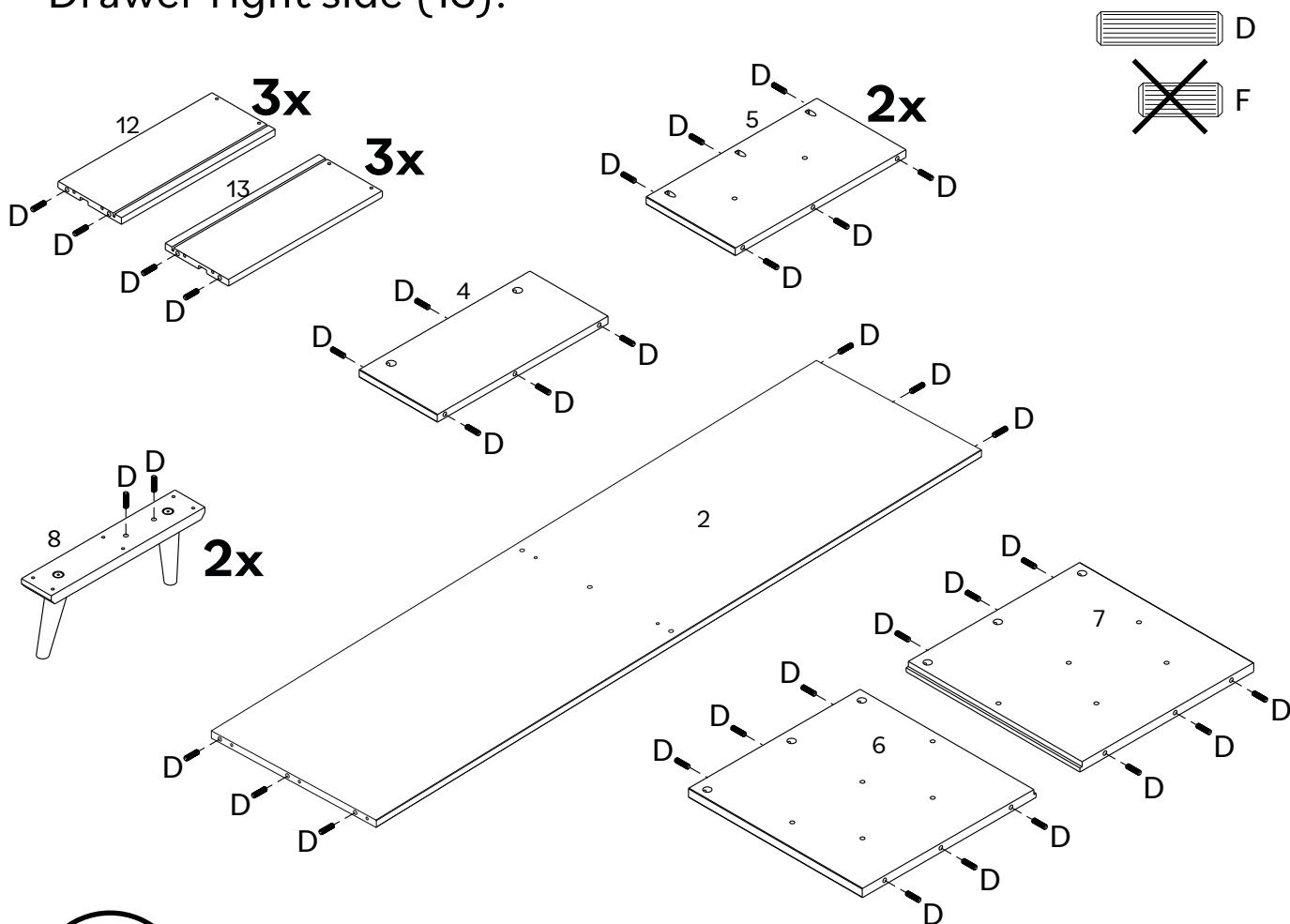


Hardware List

	Part	Size	Name	Quantity
A		5,5x28mm	Cam Bolt	8
B		14x14mm	Cam Lock	8
C		3,5x30mm	Screw	48
D		8x30mm	Wooden dowel	51
F		8x20mm	Wooden dowel	12
G		4x40mm	Screw	14
H			Metal Plate	8
I		4x16mm	Screw	60
J			Drawer Limiter	3
K		3,5x30mm	Screw	1
L			Washer	2
M		Ø6mm	Plastic Bush	1
N			Wall Anchor	1

Step 1

Let's start! Insert Wooden dowel (D) into Shelf (2), Center upper panel (4), Center bottom panel (5), Left side panel (6), Right side panel (7), Feet (8), Drawer left side (12) and Drawer right side (13).

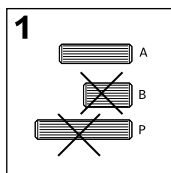


Tip

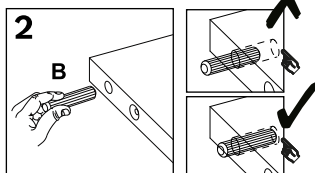
Wood Dowels

Dowels are essential in furniture assembly to create strong, precise connections. They ensure structural integrity, prevent shifting, and simplify alignment, resulting in sturdier, longer-lasting furniture.

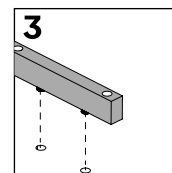
Follow these steps:



1: Select the appropriate size dowel according with step.



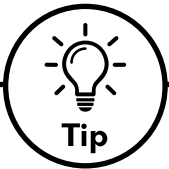
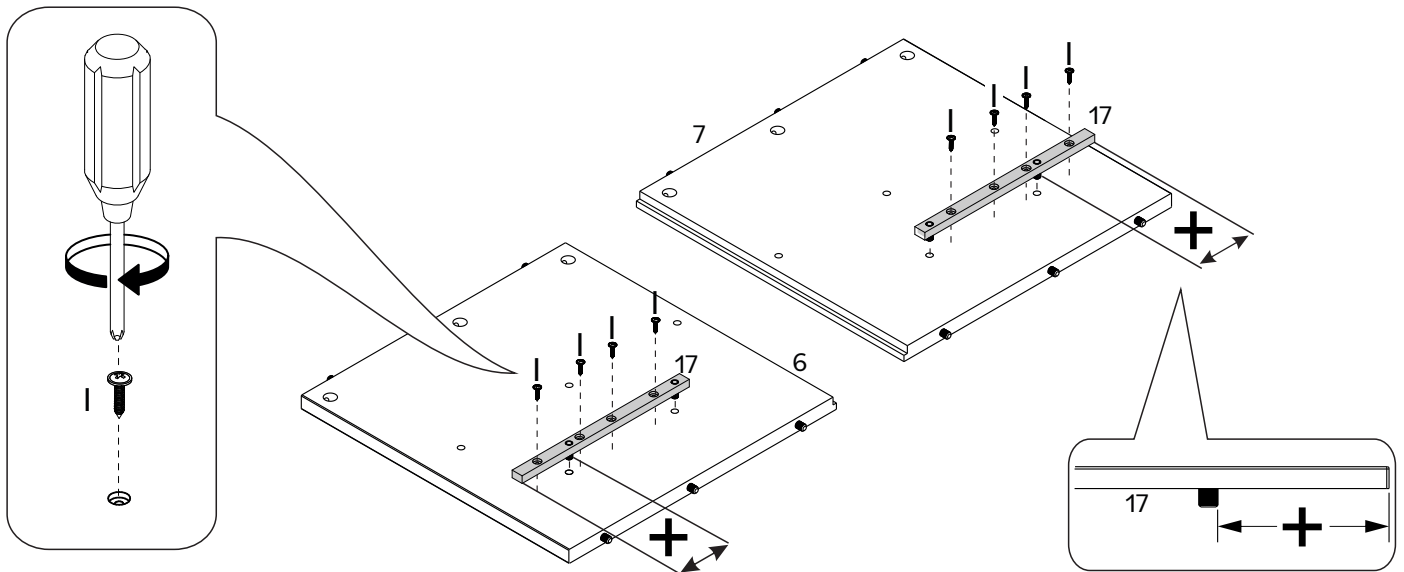
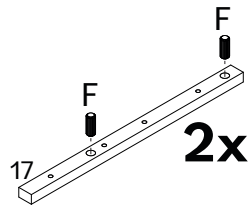
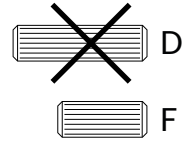
2: Insert into drilled hole and press firmly to ensure placement is set.



3: Align the dowel with corresponding piece and press together until secure.

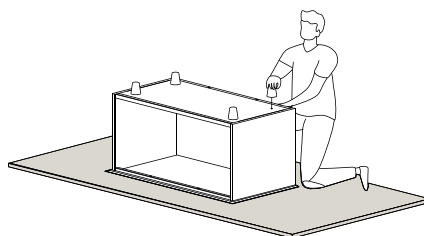
Step 2

Insert Wooden dowel (F) into Drawer slide (17). Attach the Drawer Slide (17) to Left side panel (6) and Right side panel (7) using Screw (I) and a Phillips head screwdriver.



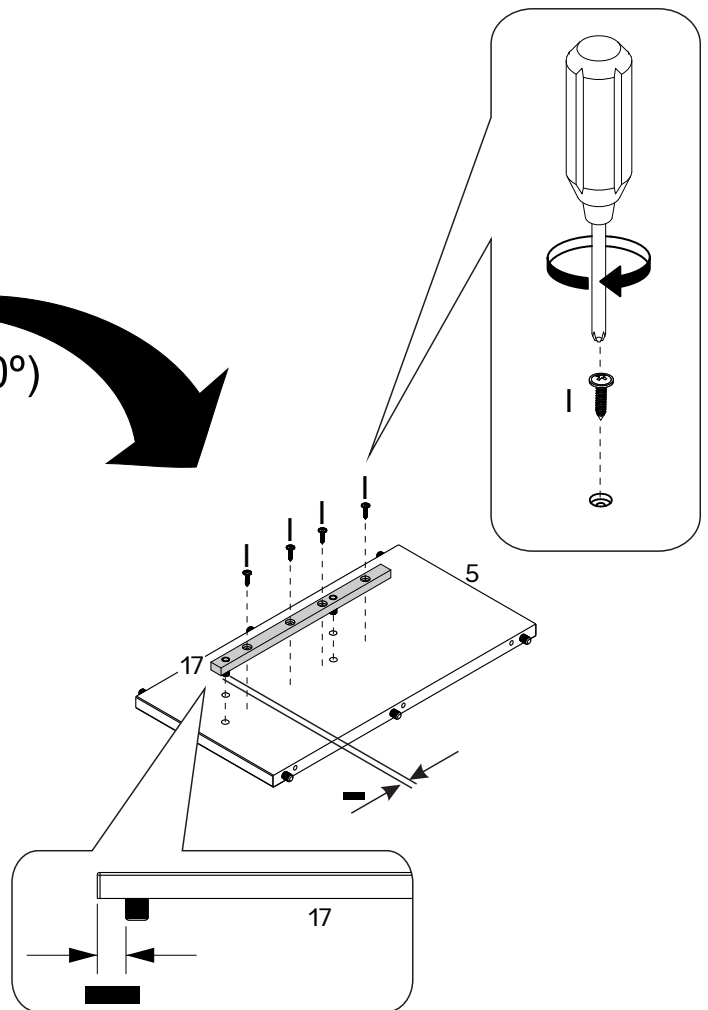
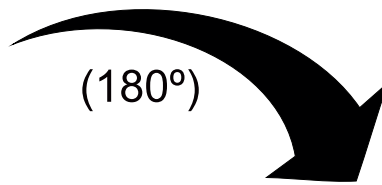
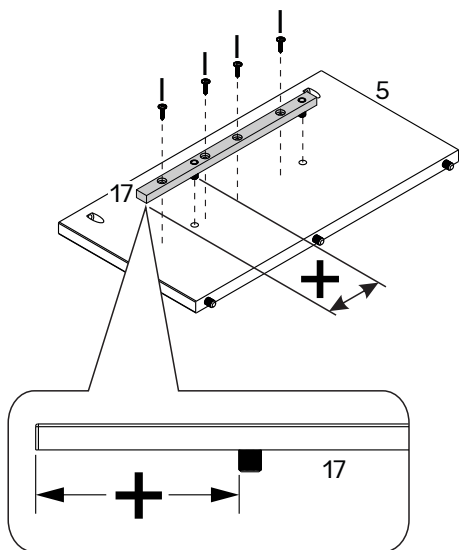
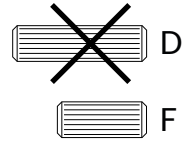
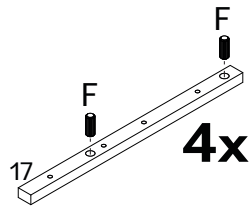
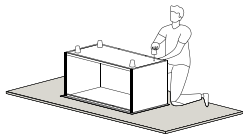
Tip

To keep your product looking its best and scratch-free, try assembling it on a soft surface like carpet or a blanket. This helps prevent any accidental scratches and keeps your furniture in top shape!



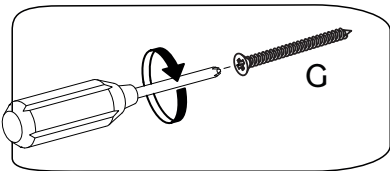
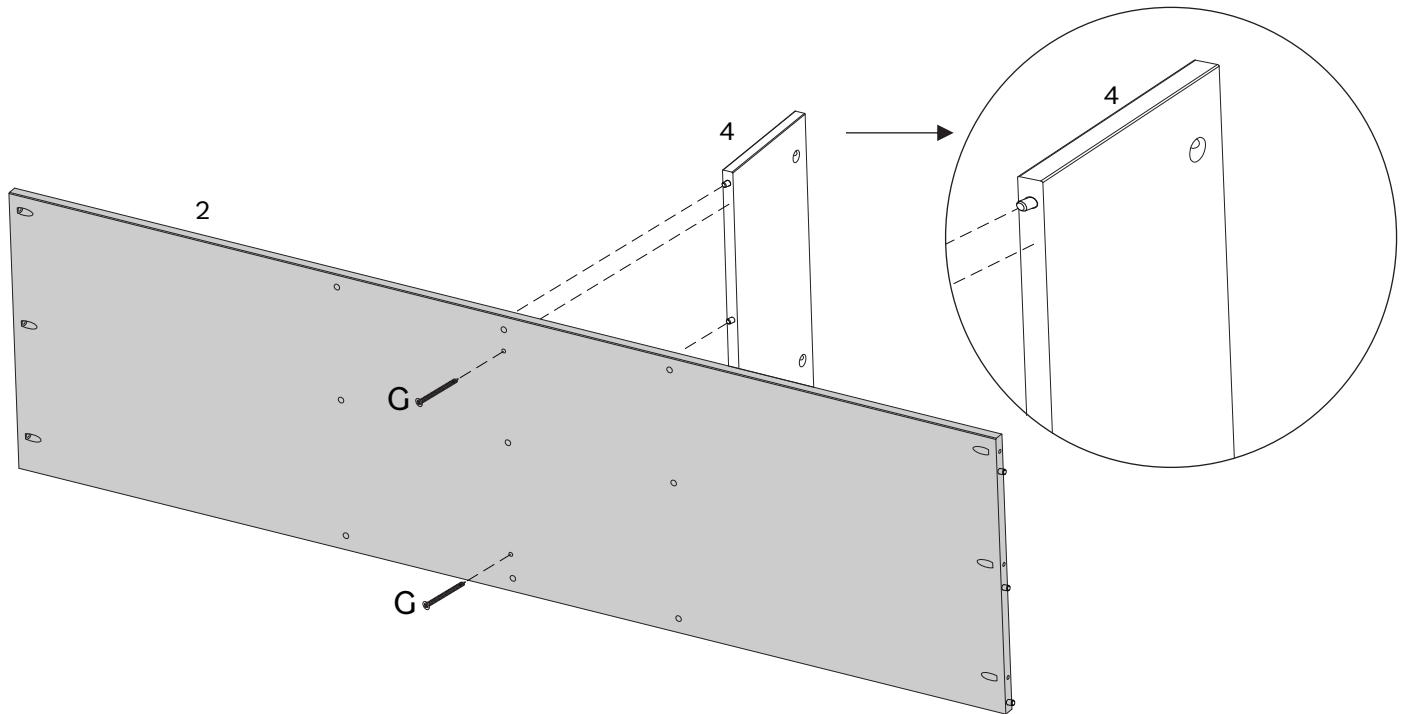
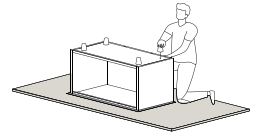
Step 3

Insert Wooden dowel (F) into Drawer slide (17). Then attach the Drawer Slide (17) to Center bottom panel (5) using Screw (I) and a Phillips head screwdriver. Do this on both sides.



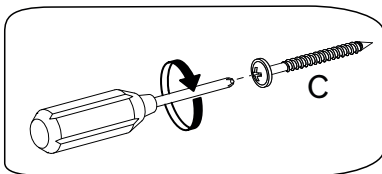
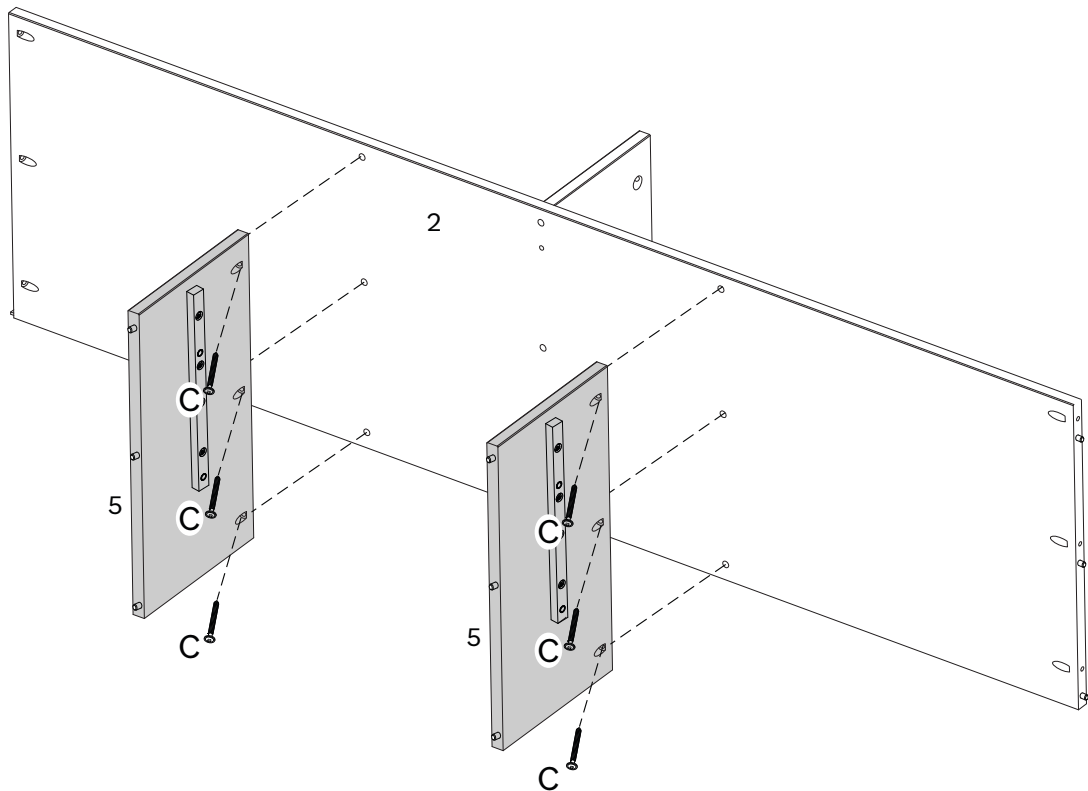
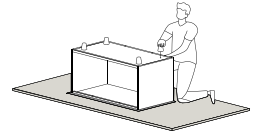
Step 4

Join Center upper panel (4) and Shelf (2) using Screw (G) and a Phillips head screwdriver



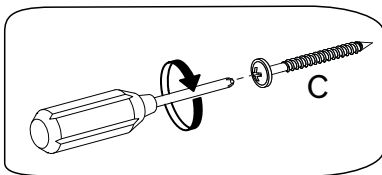
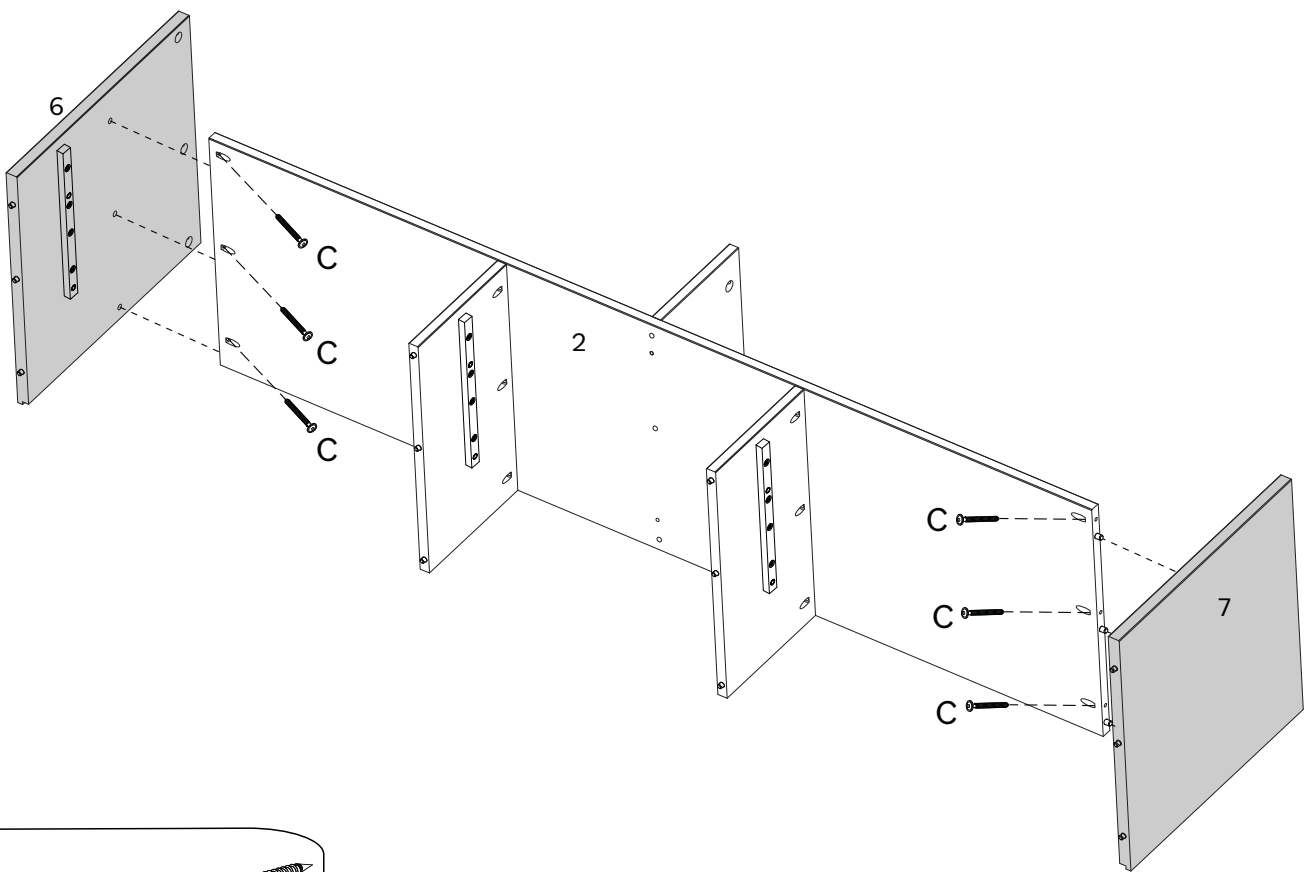
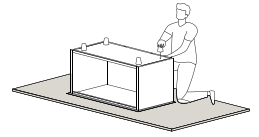
Step 5

Attach Center bottom panel (5) to Shelf (2) using Screw (C) and a Phillips head screwdriver



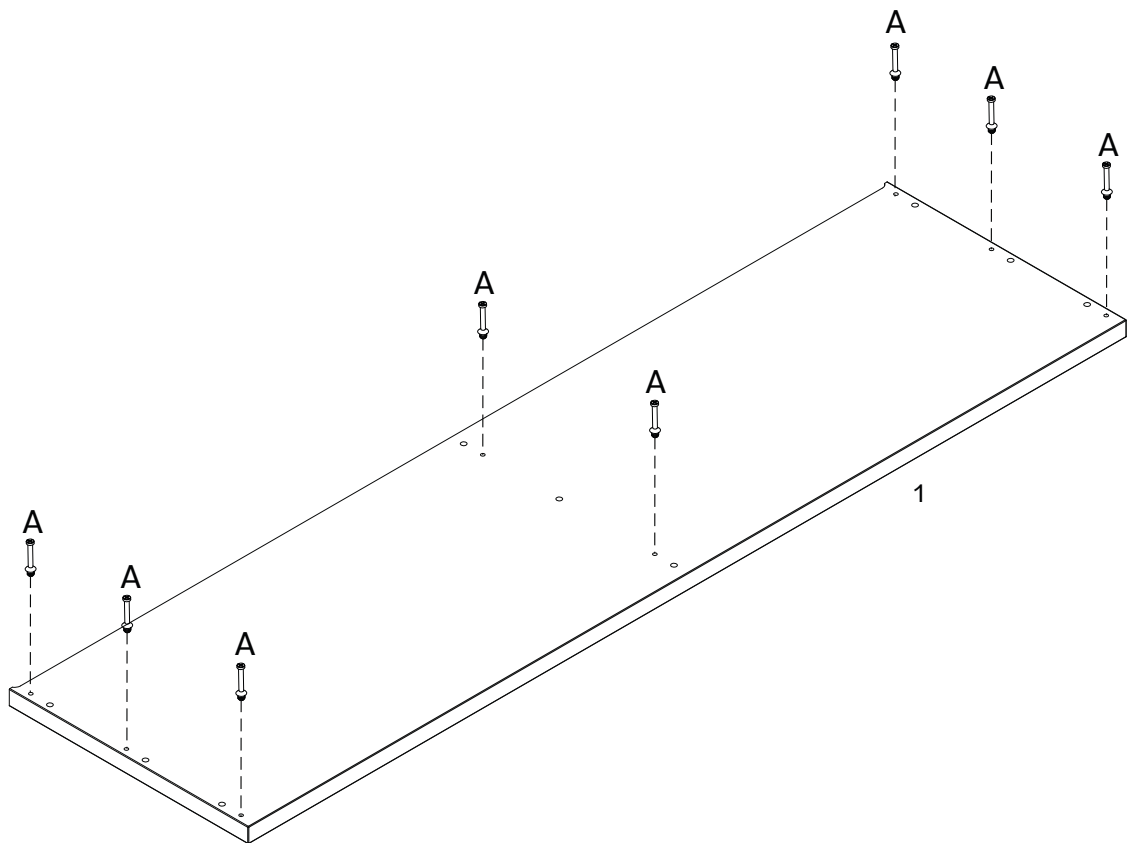
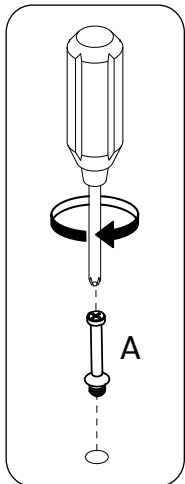
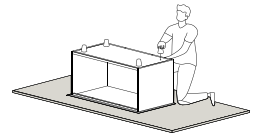
Step 6

Secure Left side panel (6) and Right side panel (7) to Shelf (2) using Screw (C) and a Phillips head screwdriver



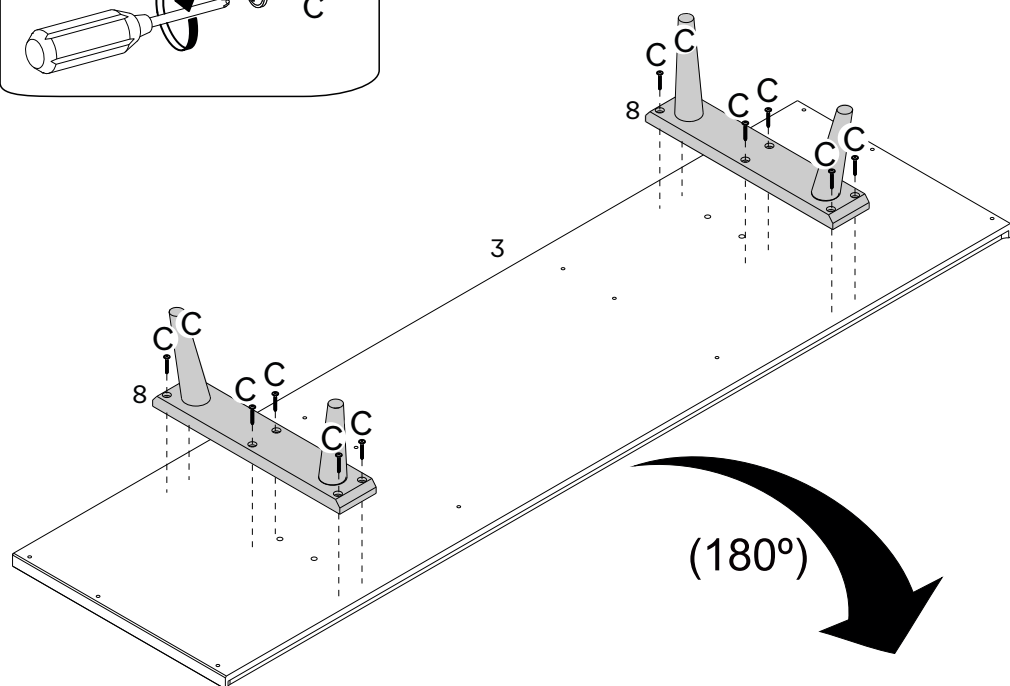
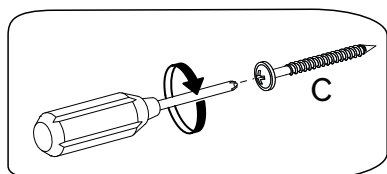
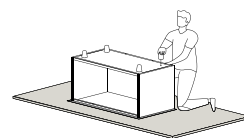
Step 7

Attach Cam Bolt (A) into the holes in Top panel (1).

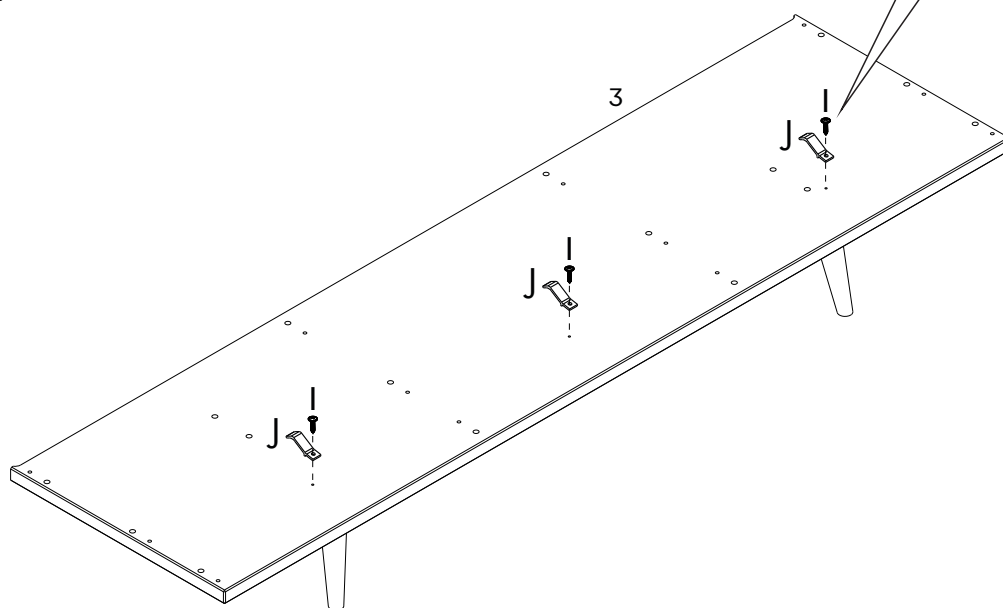
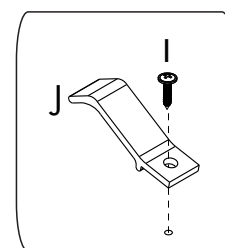


Step 8

Attach Feet (8) to Base (3) using Screw (C) and a Phillips head screwdriver. Also use screw (I) to fix Drawer limiter (J) into Base (3).

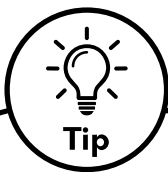
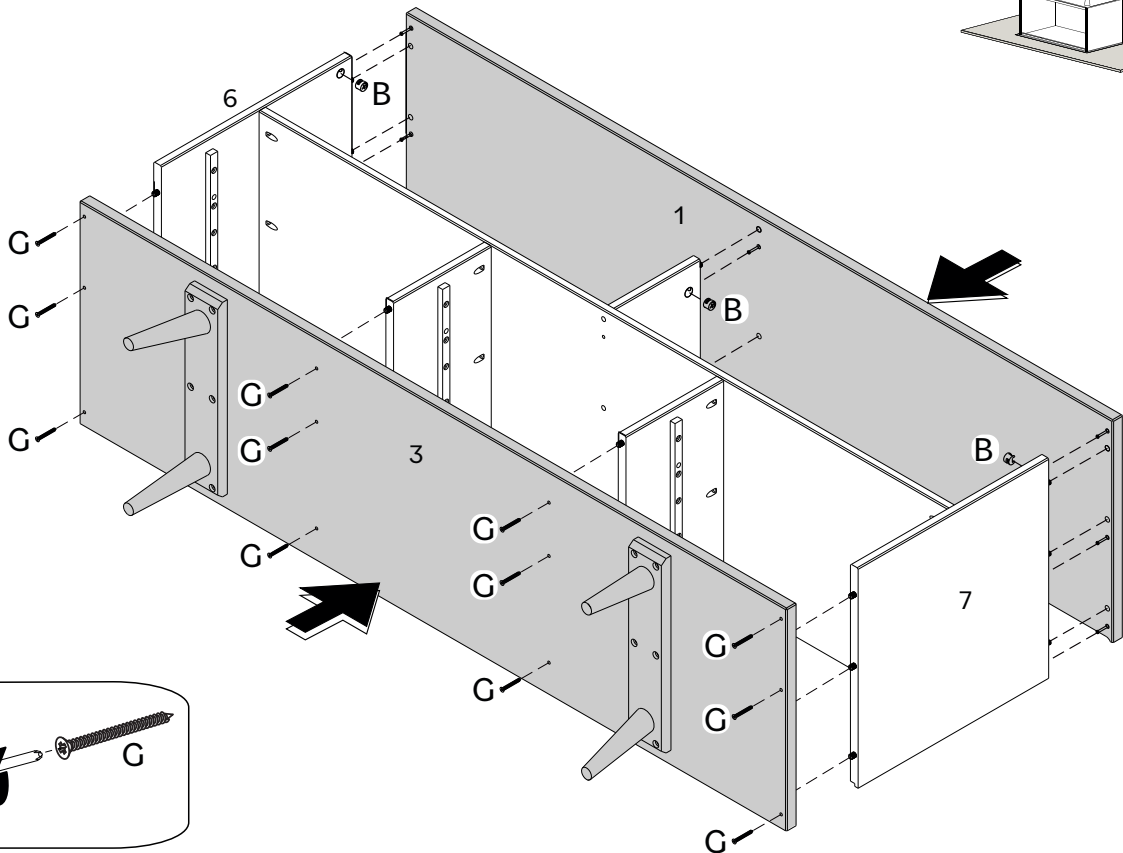
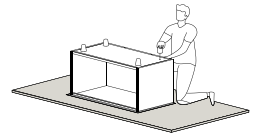


(180°)



Step 9

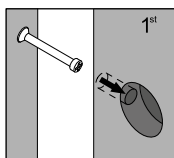
Assemble Top panel (1) and Base (3) into Left side panel (6) and Right side panel (7) using Screw (G) and tightening Cam bolt (B) with a phillips head screwdriver.



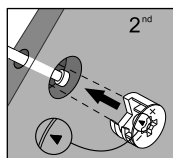
Tip

Cam Locks

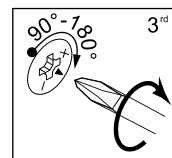
Cam Locks help securely join two pieces together.
Follow these easy steps.



1st
1: Insert Cam Bolt into bolt holes on the flat side. Don't over tighten!



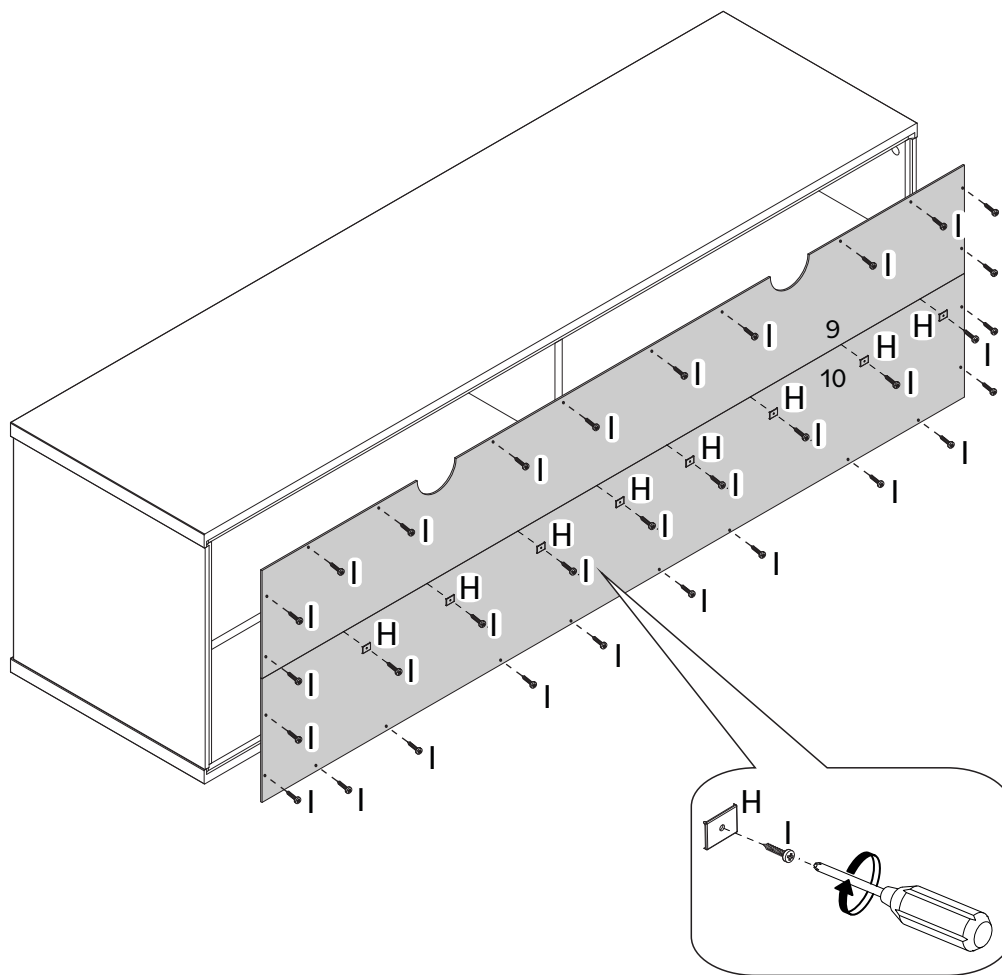
2nd
2: Assemble both parts together. The cam bolts goes in the drills holes that have a circular hole on the side, you should be able to see the cam bolt through it. After fitting parts together insert the cam lock on the side holes.



3rd
3: On the back of the Cam Lock will be a "C" shape. Insert the Cam Lock so the opening of the "C" fits over the Cam Bolt. Tighten with the screwdriver.

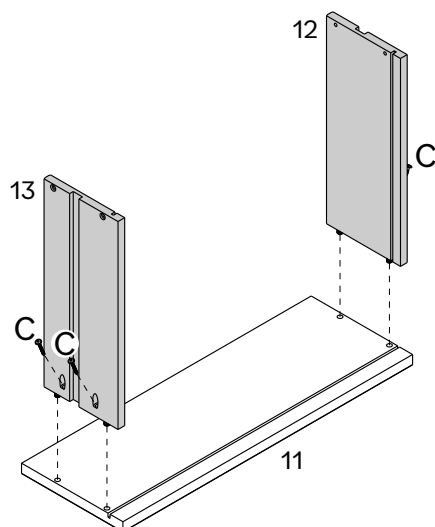
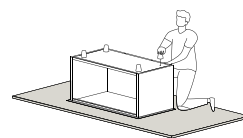
Step 10

Use Metal Plate (H) and Screw (I) to assemble the Back panels (9,10) with a Phillips head screwdriver.



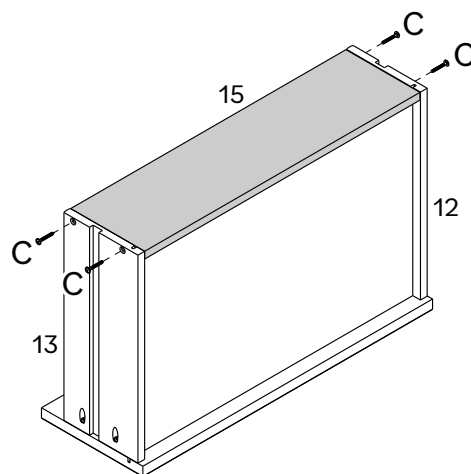
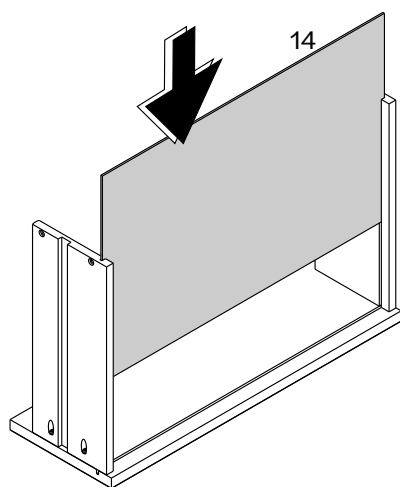
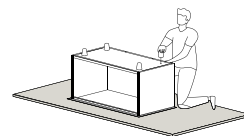
Step 11

Now we will assemble the drawers. Attach Drawer left side (12) and Drawer right side (13) to Drawer front (11) using Screw (C) and a phillips head screwdriver.



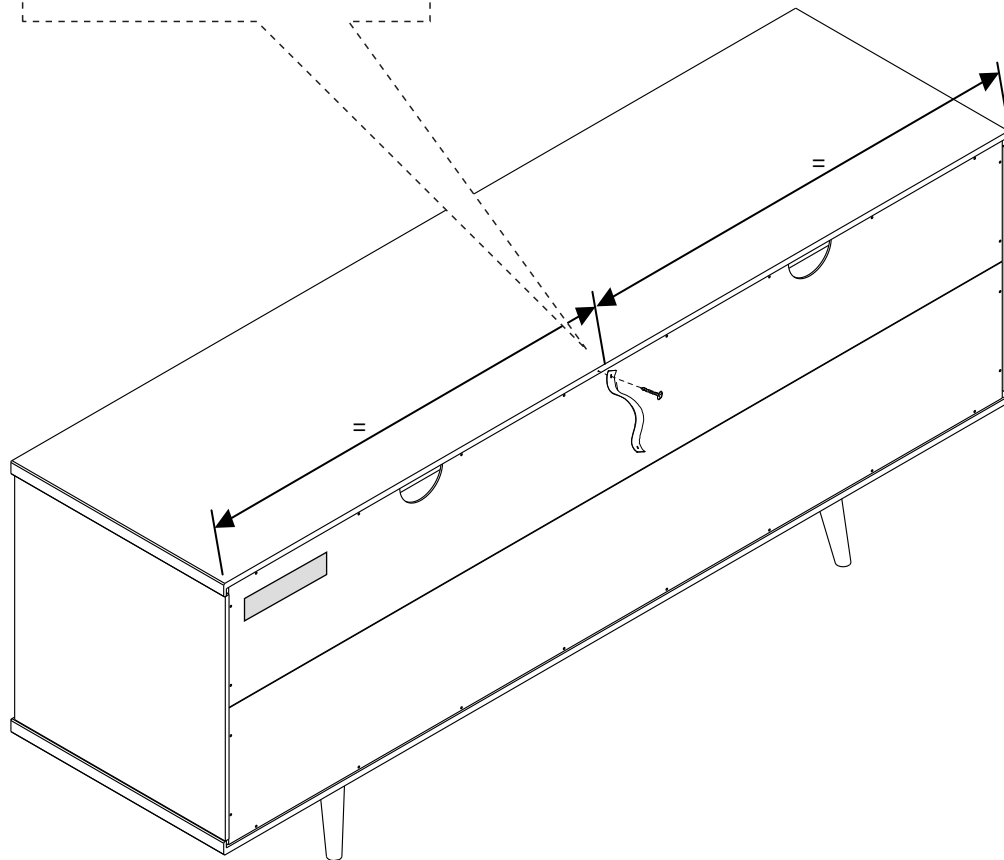
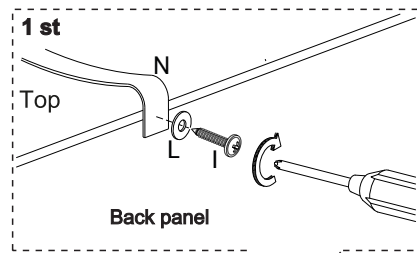
Step 12

Slide Drawer bottom (14) on grooves on Drawer sides (12,13) fitting in Drawer front (11). Then, Secure Drawer back (15) to Drawer Left side (12) and Drawer right side (13) using Screw (C) and a Phillips head screwdriver.



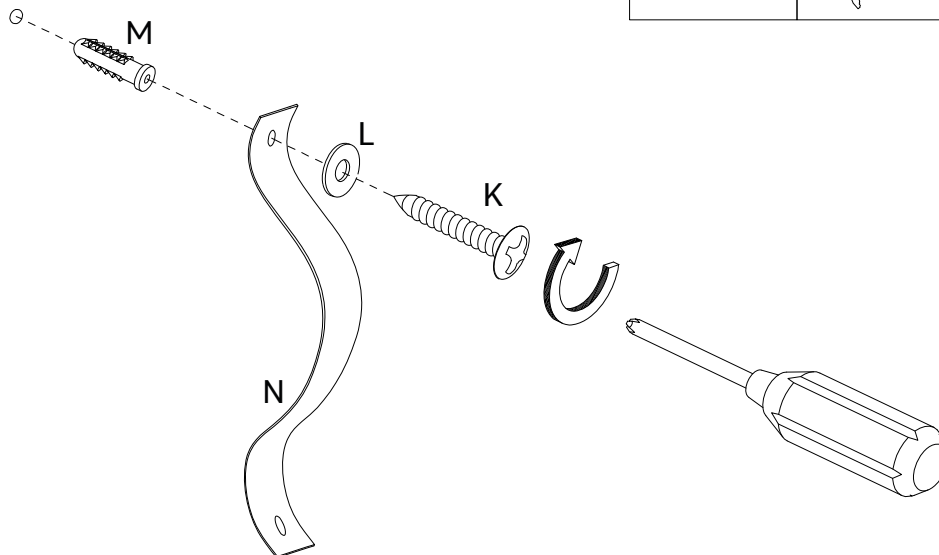
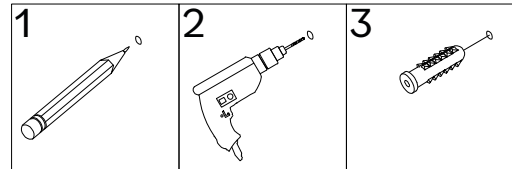
Step 13

To finish this up, let's secure your TV Stand to the wall!
Attach the Wall anchor (N) to your TV Stand using Washer (L), Screw (I) and a Phillips head screwdriver.



Step 14

Insert the Plastic Bush (M) into the wall. Then, secure the Wall anchor (N) to the wall using a Washer (L), Screw (K) and a Phillips head screwdriver.



WARNING

Serious or fatal crushing injuries can occur from tip-over. To help prevent tip-over, install tip restraints per instructions. If using to support a television or monitor:

- Death or serious injury may occur when children climb on audio/or video equipment furniture. Remote control or toys placed on the furnishing may encourage a child to climb on the furnishing and as a result the furnishing.
- Do not place TV near front the edge of the product.

To further reduce the risk of serious injury and death from tip-overs:

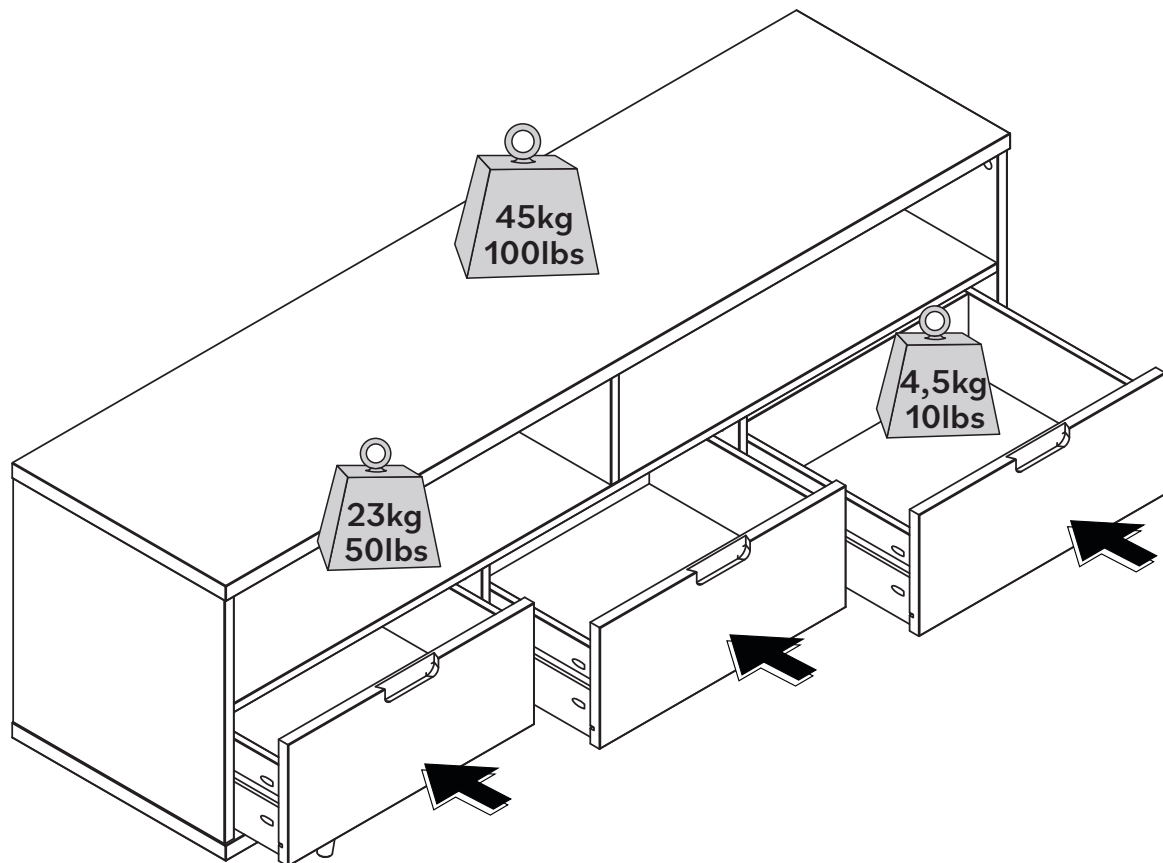
- Place heaviest items in the lowest compartments or drawers.
- Never allow children to climb or hang on drawers, doors or shelves.
- Never open more than one drawer at a time.

The use of tip-over restraints may only reduce, but not eliminate the risk of tip-over.

For safe mounting, it is essential to use wall anchors appropriate to your wall type (i.e., plaster, drywall, concrete, etc). Mount to wood studs whenever possible. Note: if you are unsure about your wall type or what mounting the method you should use, consult a qualified professional or your local hardware store.

Name and address information for the manufacturer responsible for the anti-tip hardware and date of production can be found on the label on the back of the furniture.

You did it! Enjoy your new TV Stand!



Congratulations on your new piece of furniture!