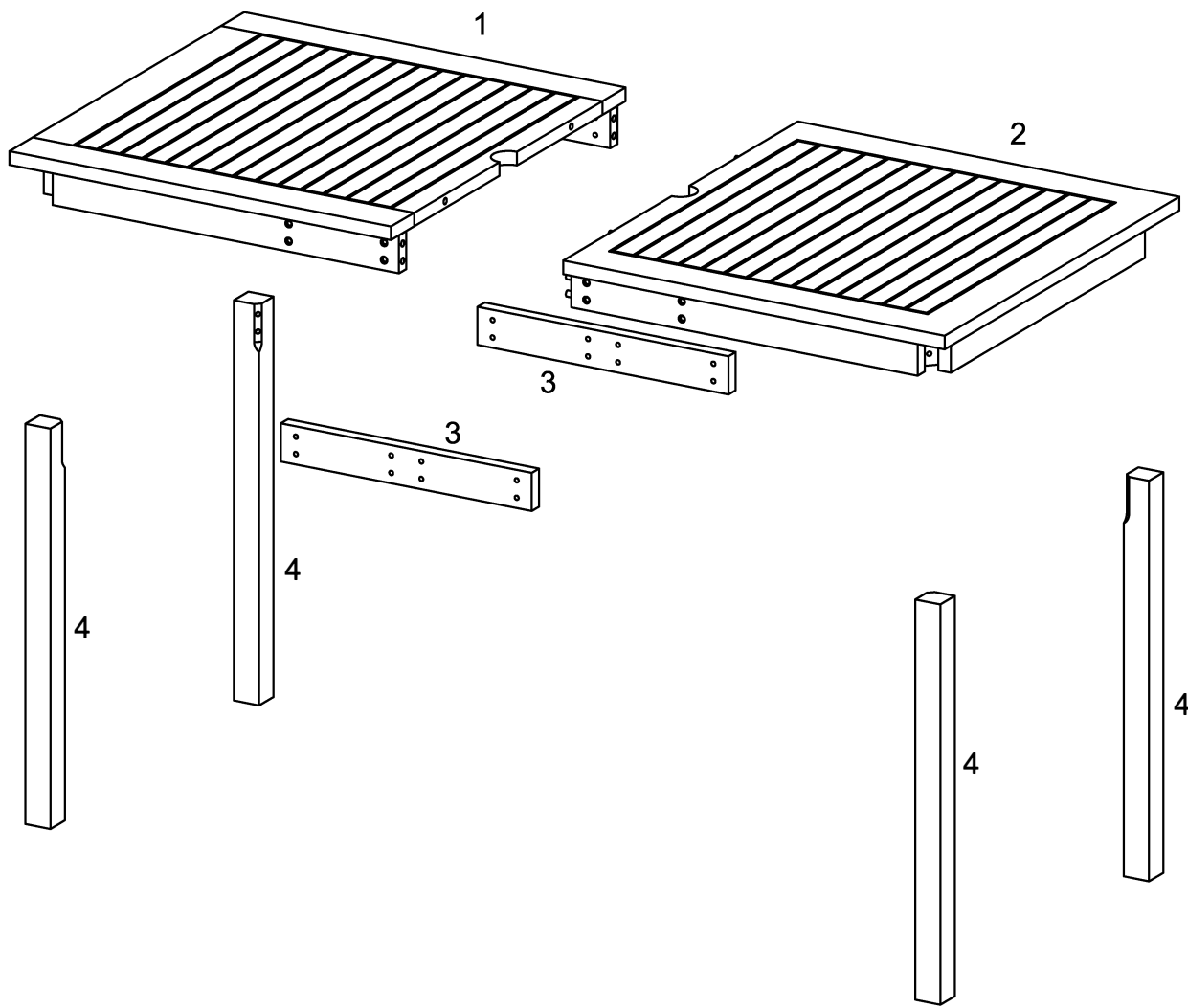







Parts List

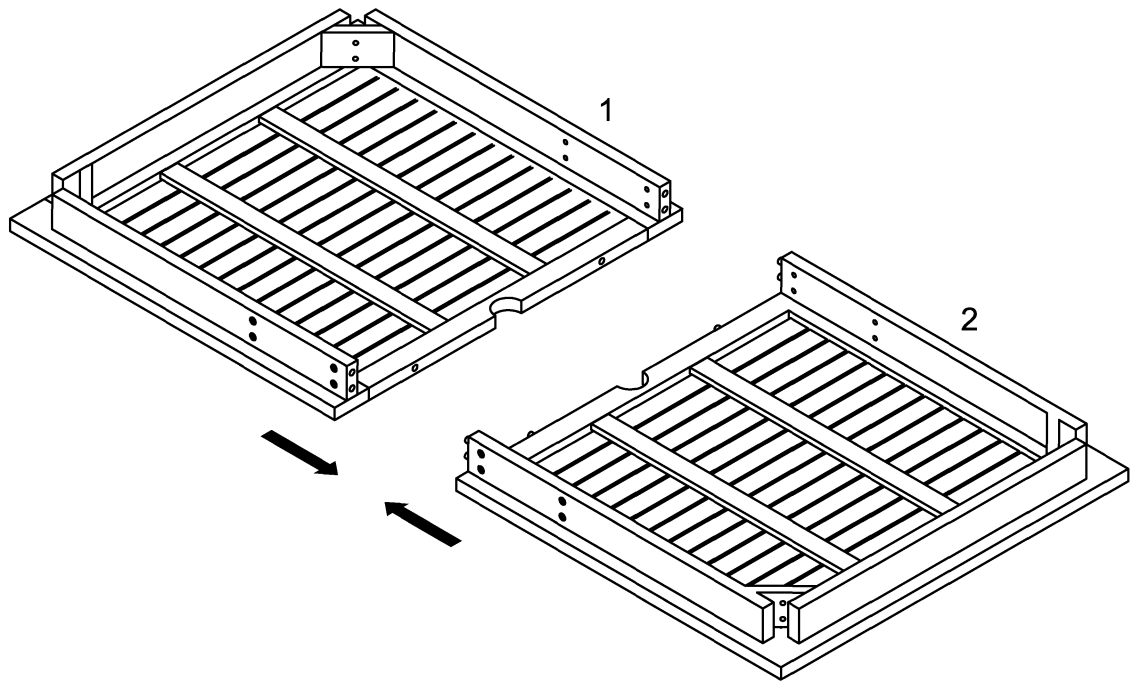


Hardware List

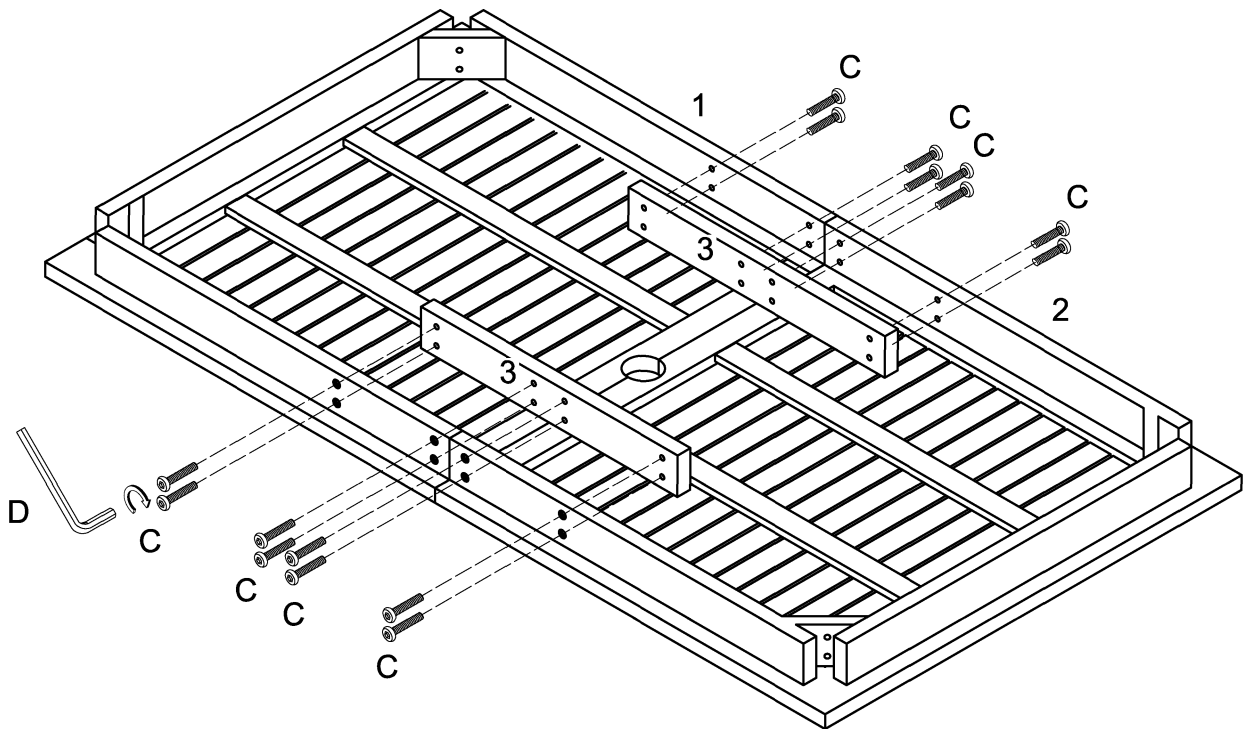
A		Ø6x45mm	Bolt	16 pcs
B		Ø8x80mm	Bolt	8 pcs
C			Washer	8 pcs
D			Spring washer	8 pcs
E		M4	Wrench	1 pc

*The hardware quantities listed above are required for proper assembly.
Some extra hardware may also have been included.*

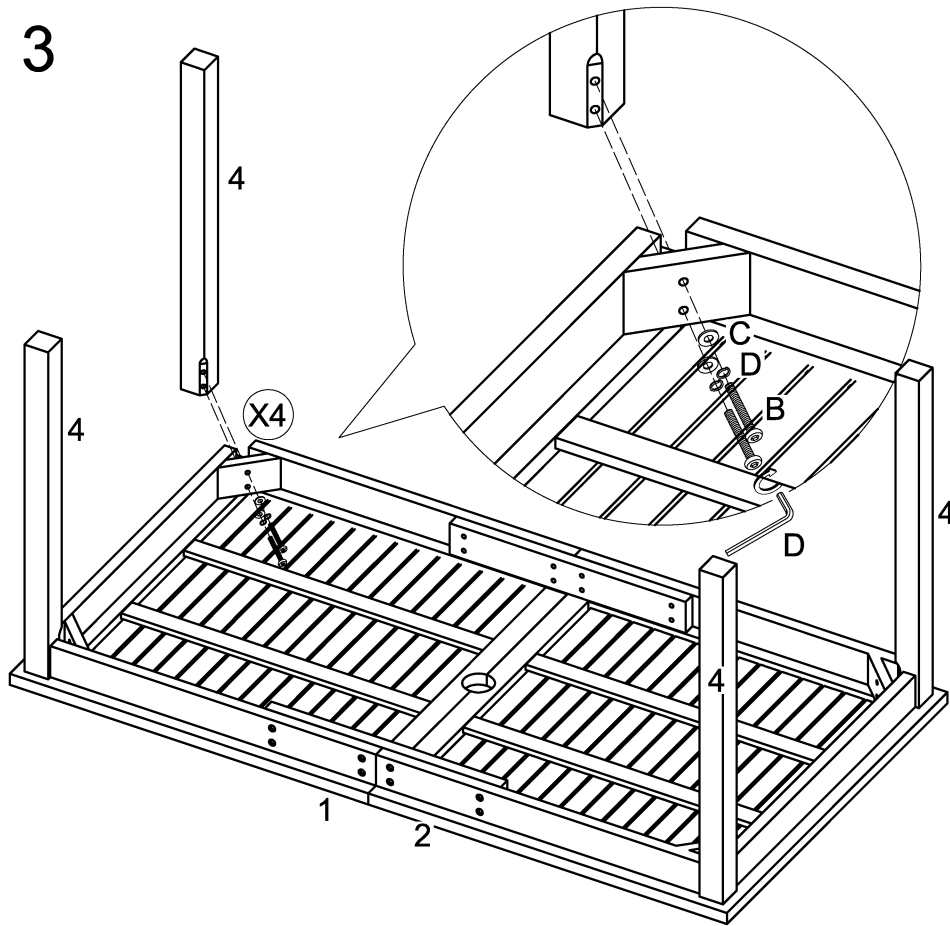
Step 1



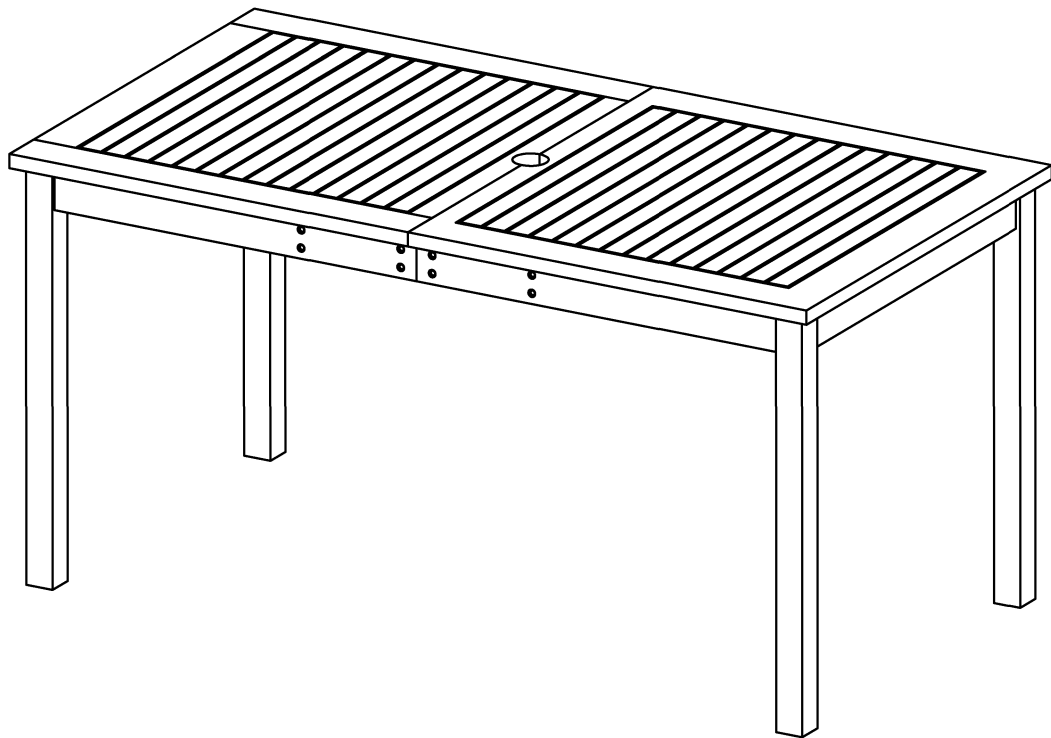
Step 2



Step 3



Step 4



Final Assembly