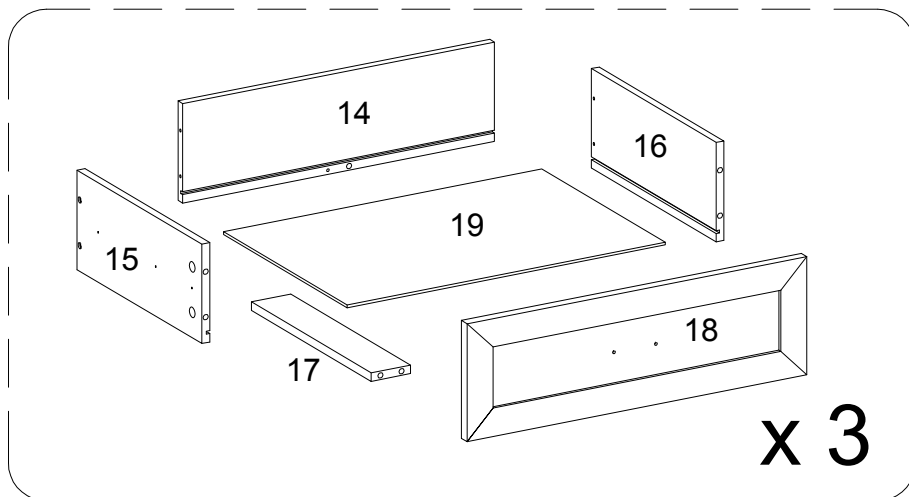
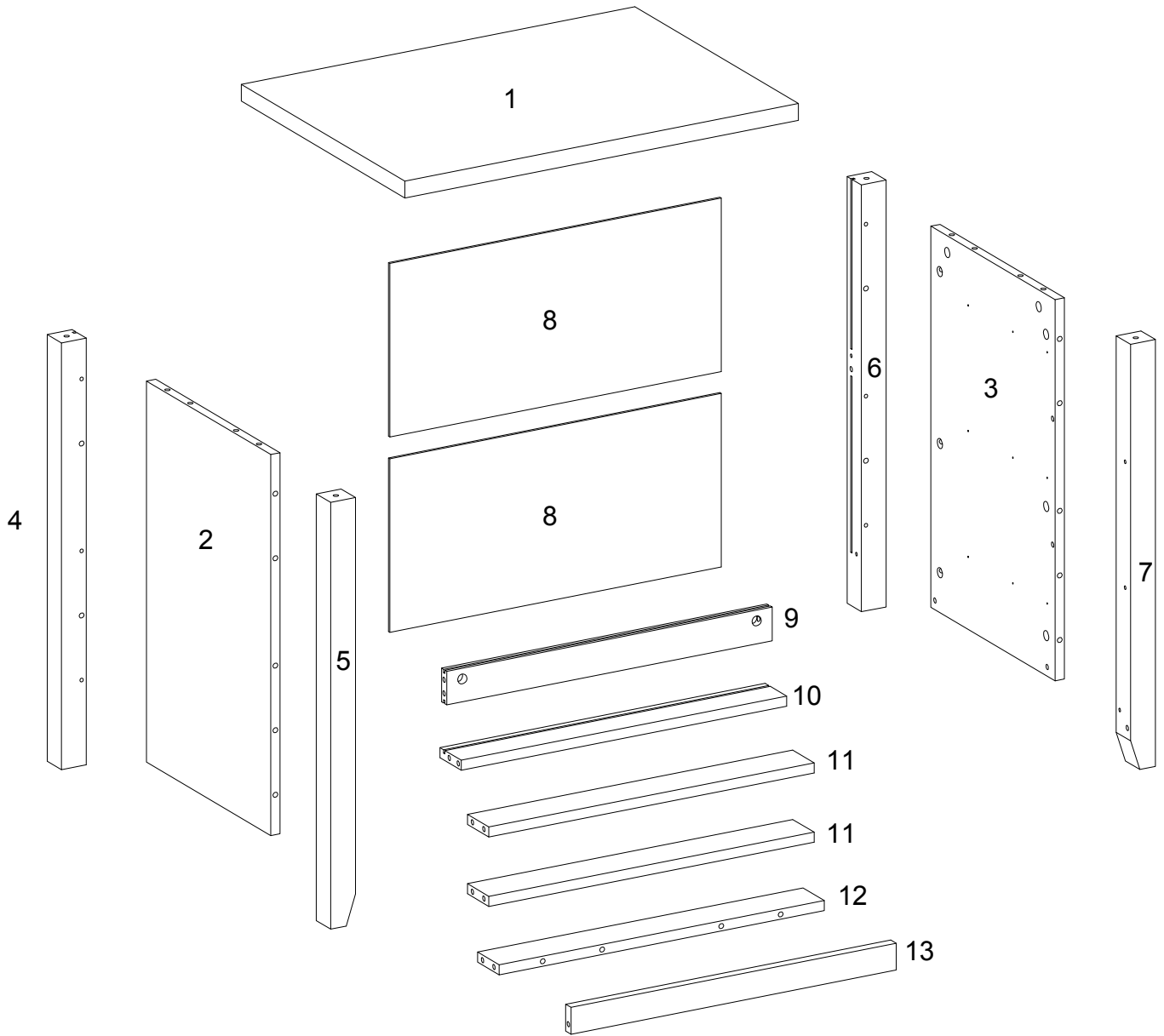




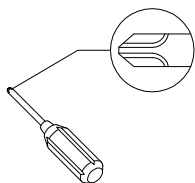
Parts List



Hardware List

A		Ø8x30mm	Wooden dowel	30 pcs
B		Ø6x35mm	Cam bolt	43 pcs
C		Ø15x11mm	Cam lock	28 pcs
D		Ø15x9mm	Cam lock	15 pcs
E		Ø30mm	Sticker	43 pcs
F			Plastic wedge	6 pcs
G		Ø3x17mm	Screw	6 pcs
H			Glue tube	2 pcs
J		Ø4x38mm	Screw	15 pcs
K		Ø3x12mm	Screw	36 pcs
L			Handle	3 pcs
M		Ø4x10mm	Handle Bolt	6 pcs
N		Ø6x30mm	Wooden dowel	6 pcs
P		12"	Drawer slider	3 Sets

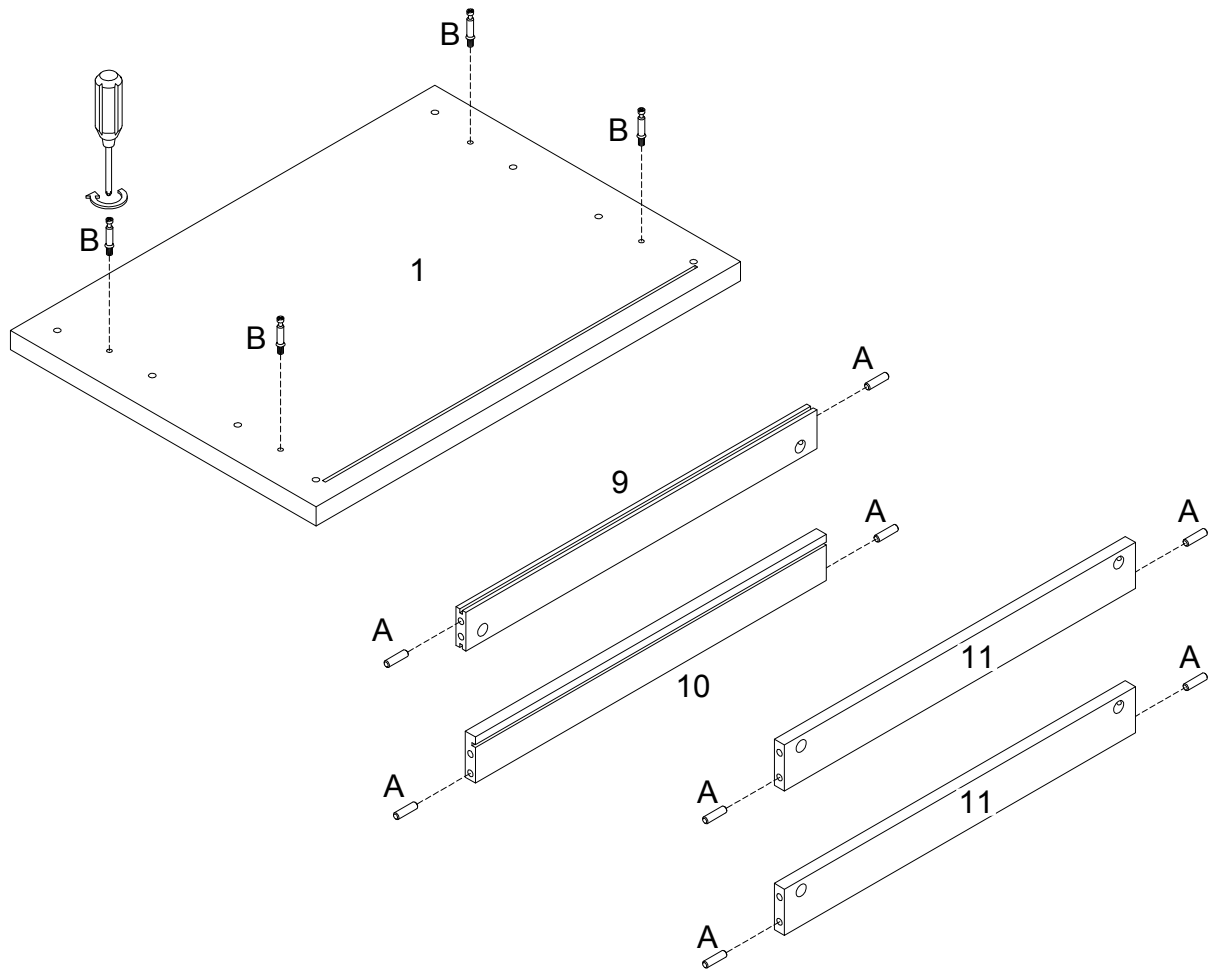
* Note: This piece comes preassembled for shipping purposes and must be disassembled to complete the desk assembly.



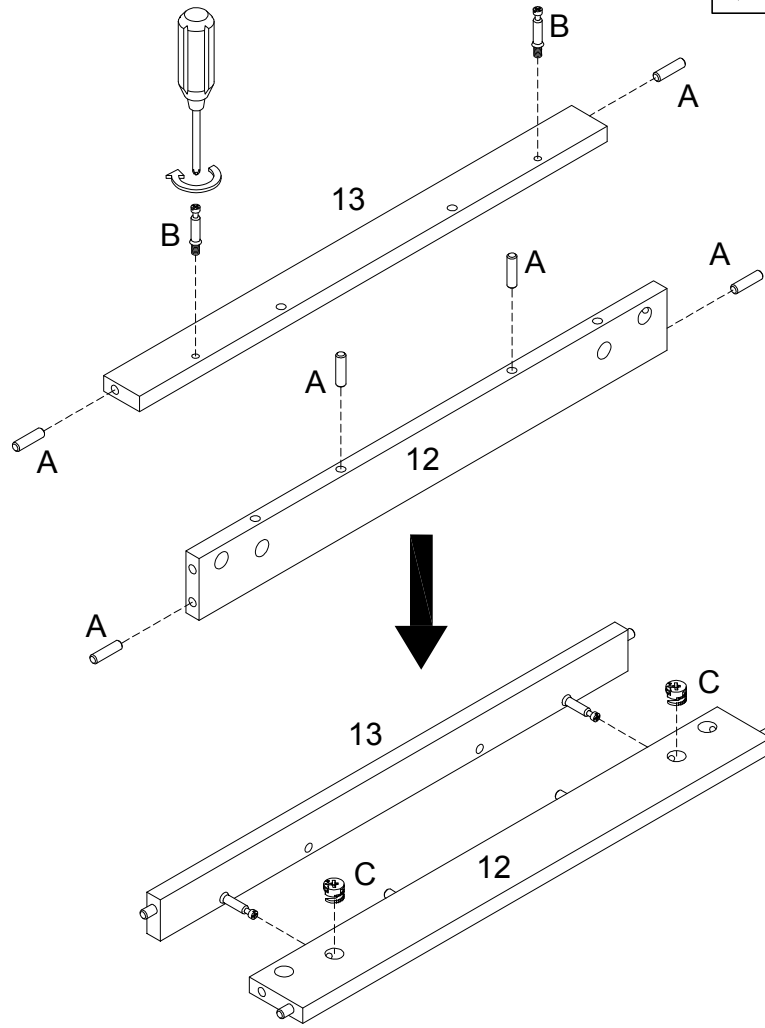
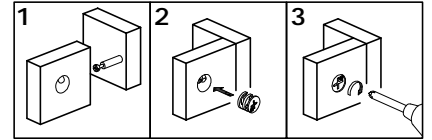
Philips head screwdriver required for assembly
(not included)

*The hardware quantities listed above are required for proper assembly.
Some extra hardware may also have been included.*

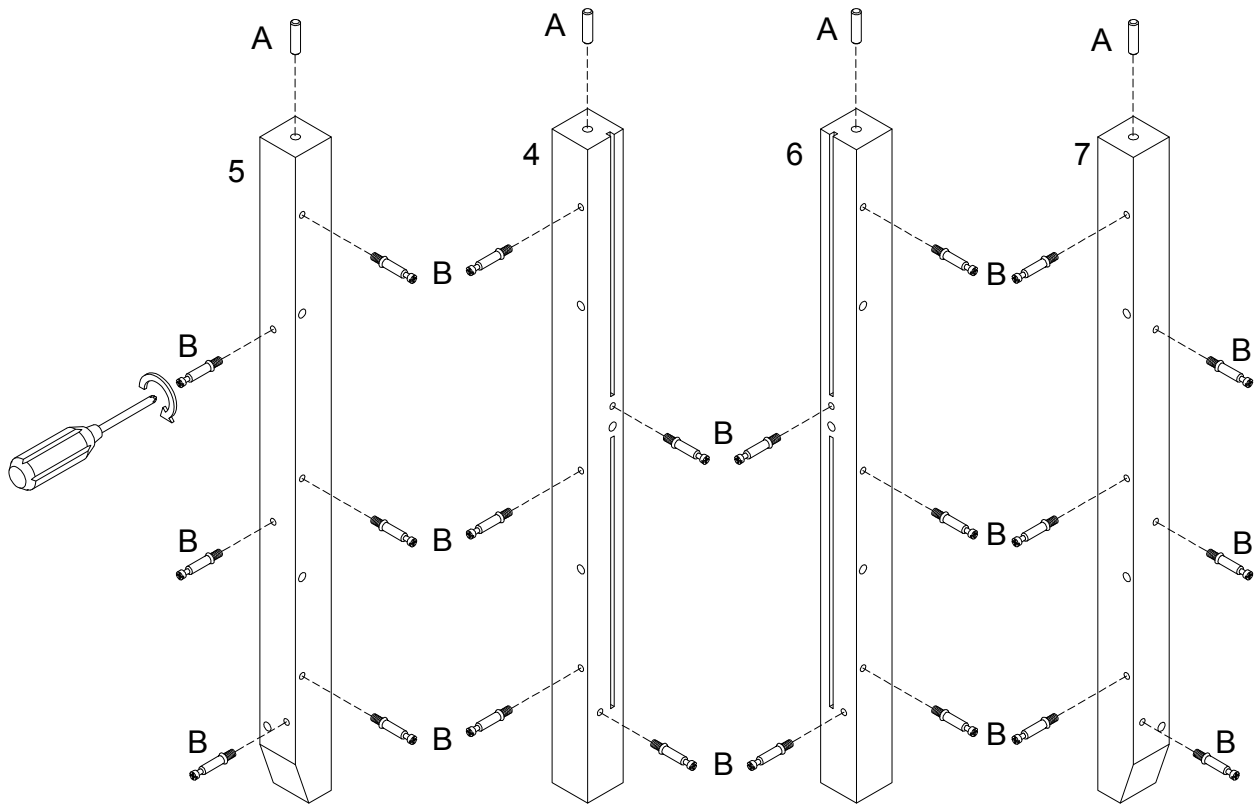
Step 1



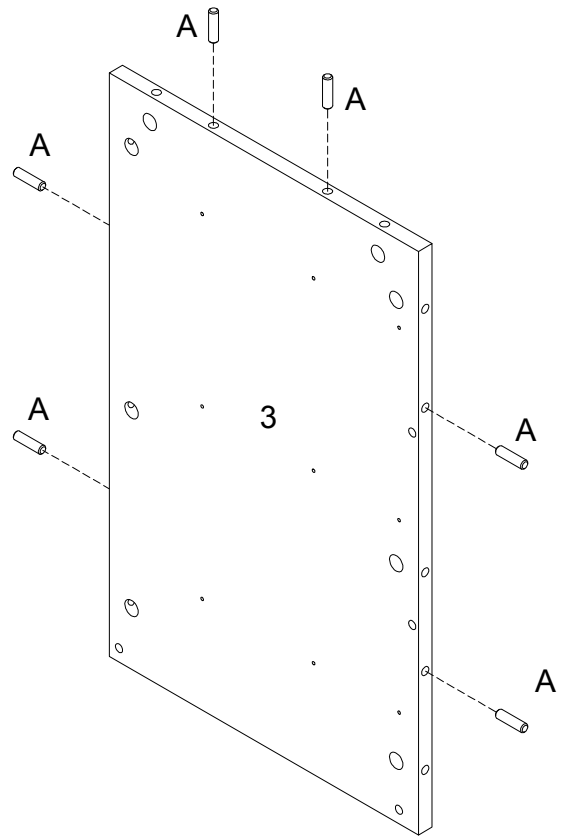
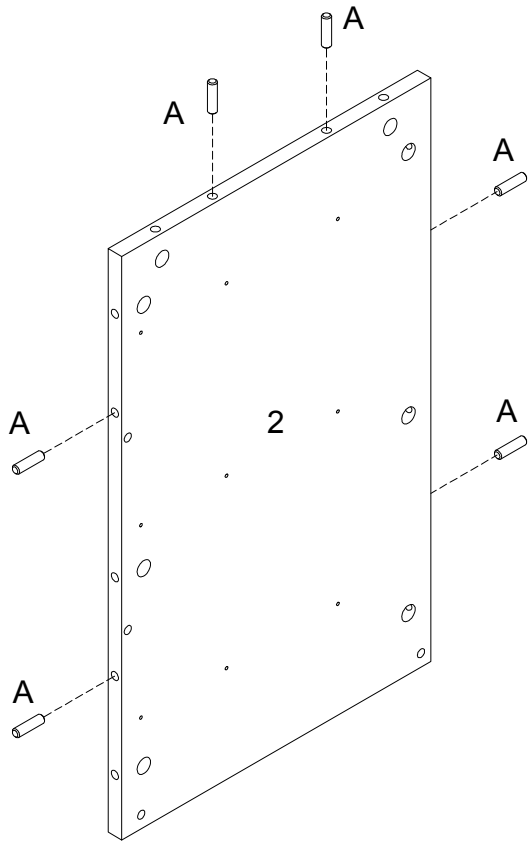
Step 2



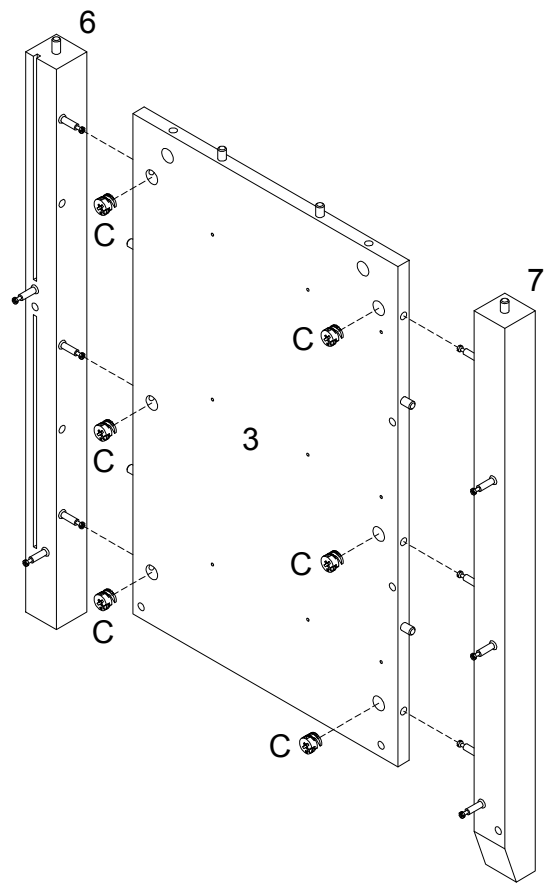
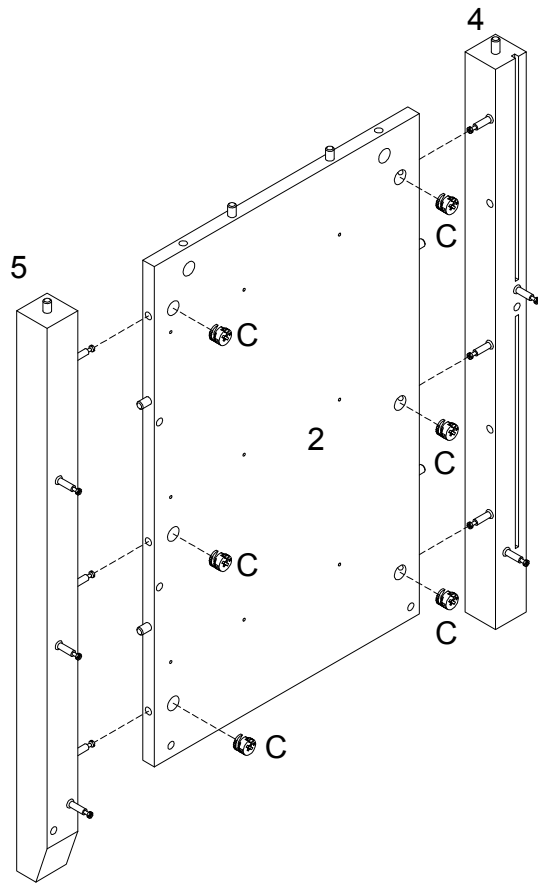
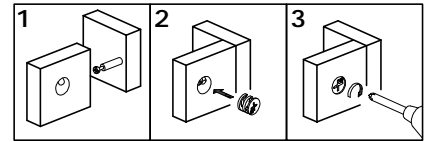
Step 3



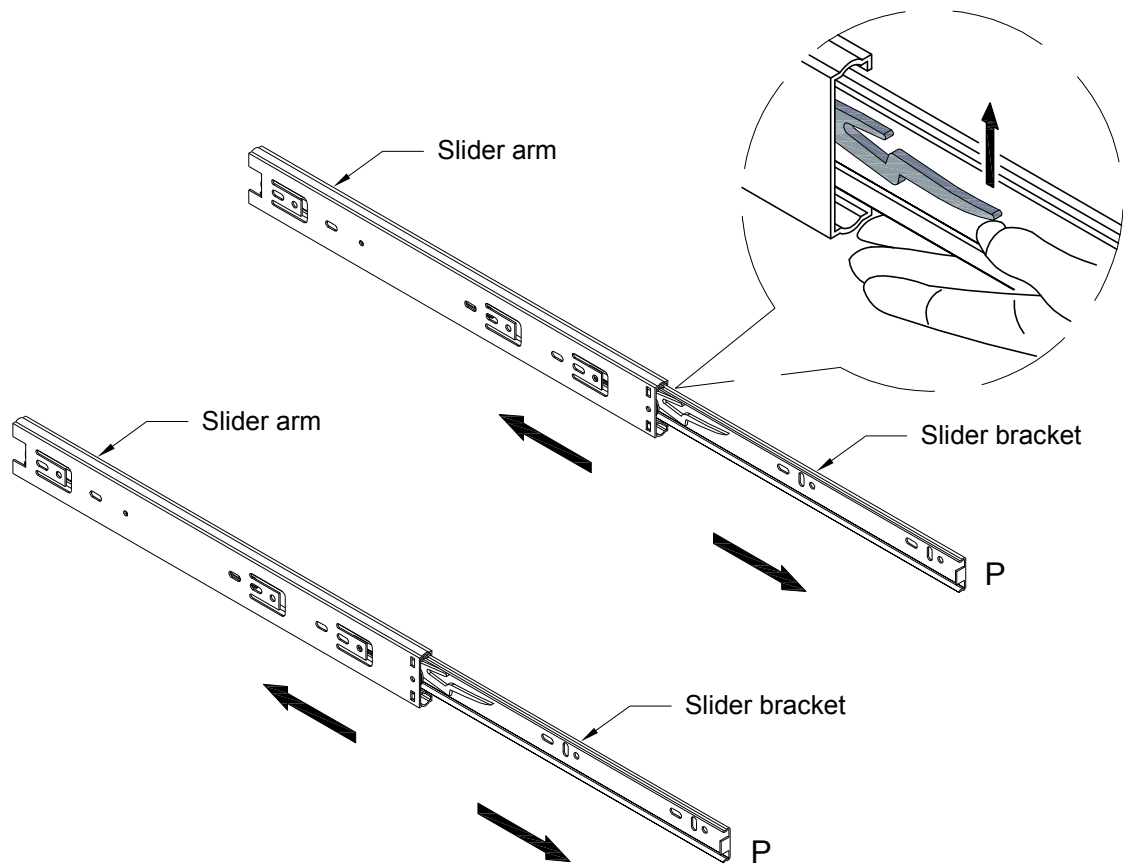
Step 4



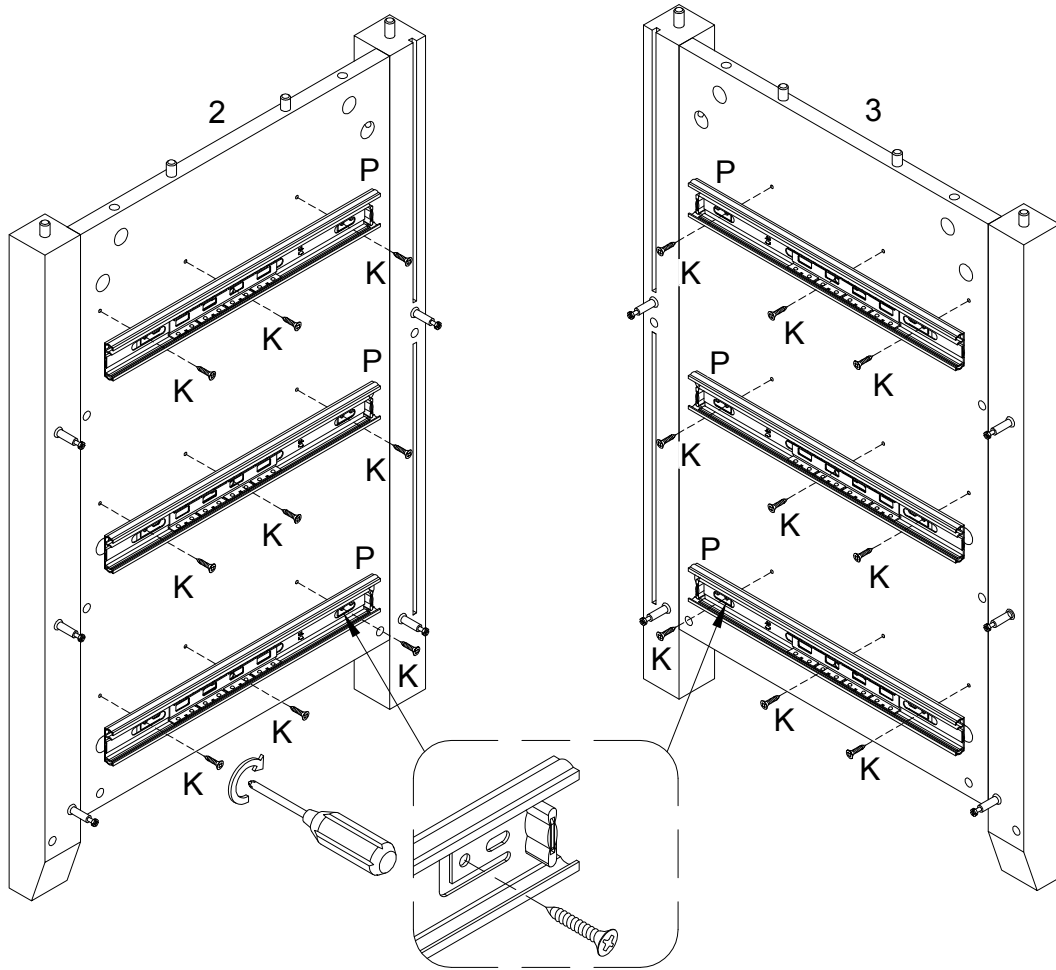
Step 5



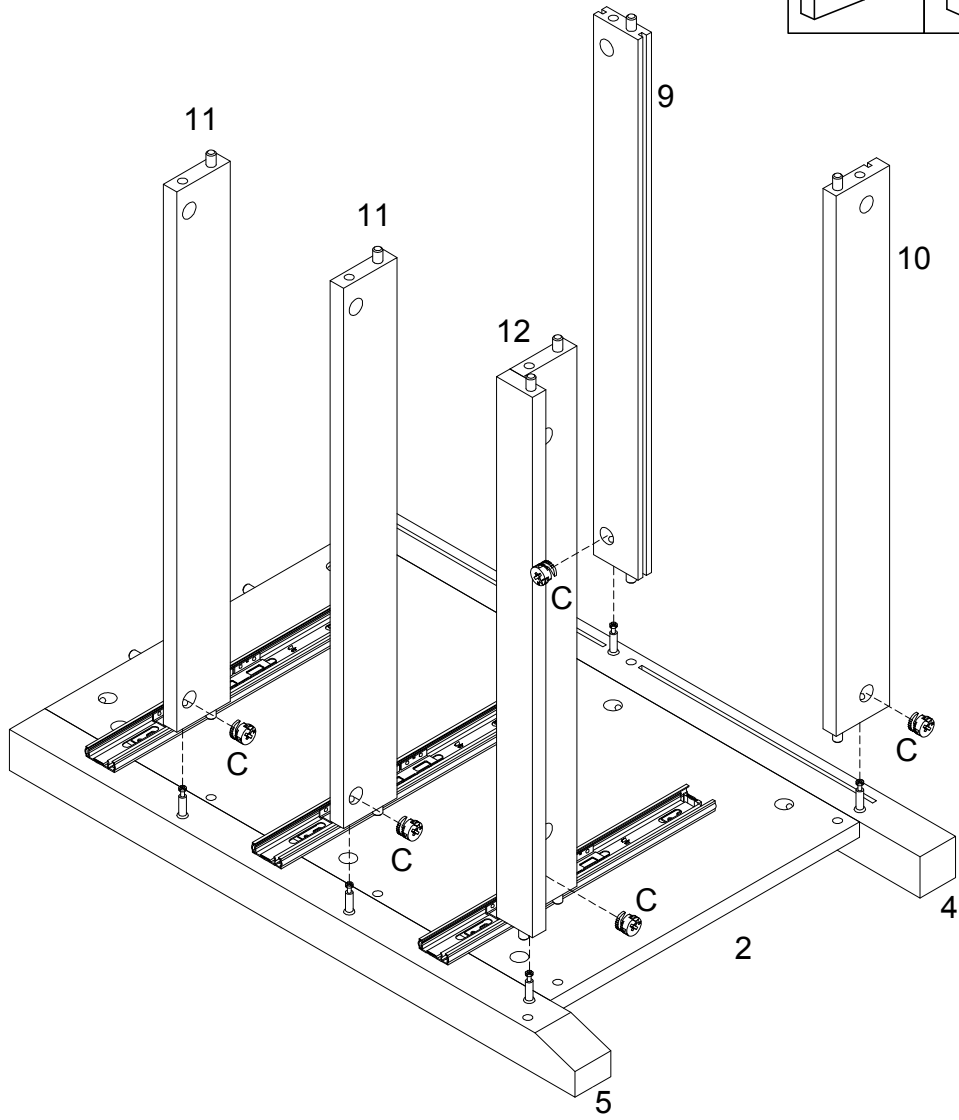
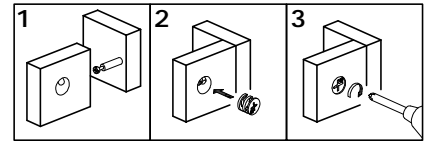
Step 6



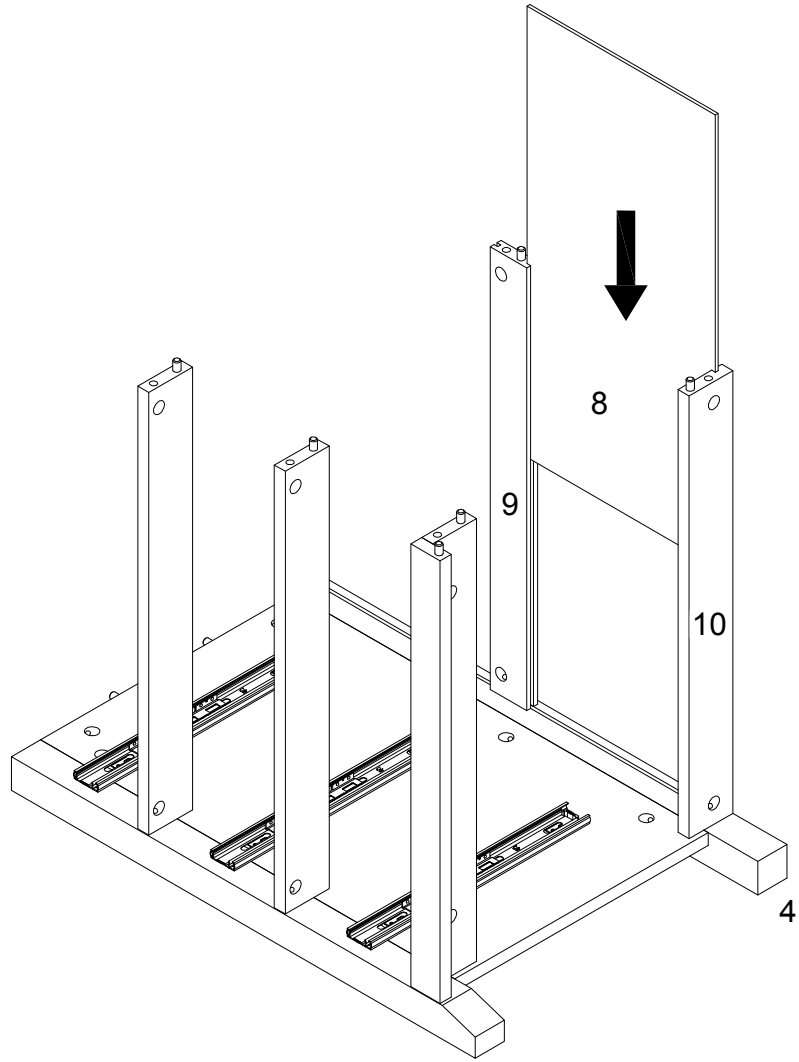
Step 7



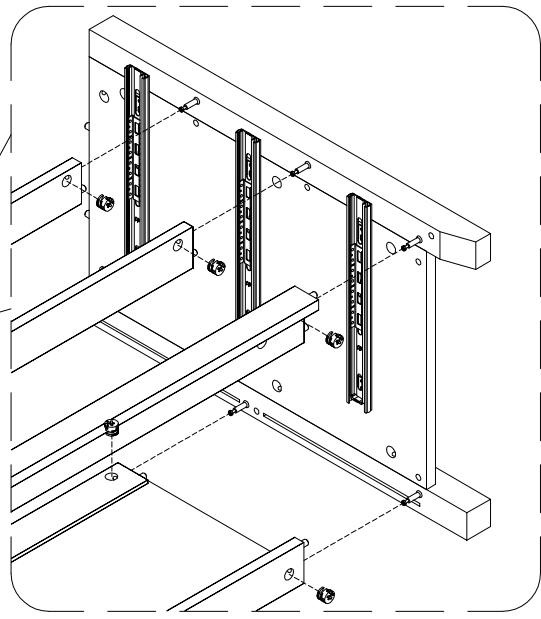
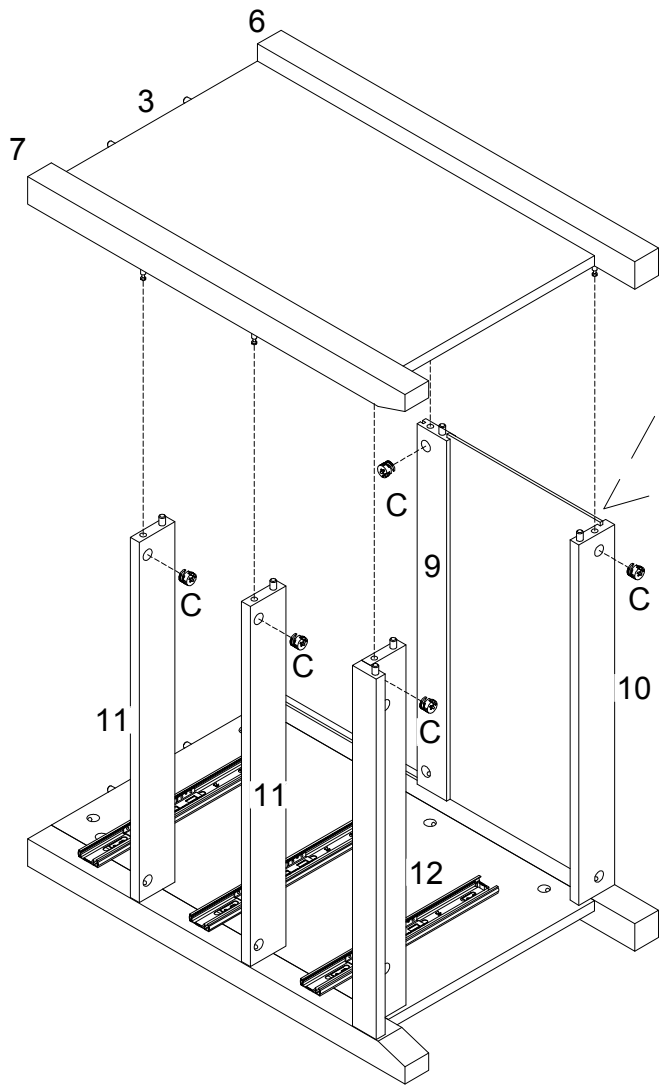
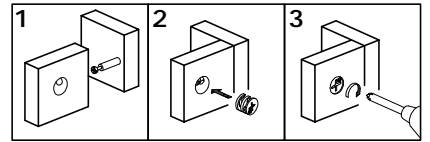
Step 8



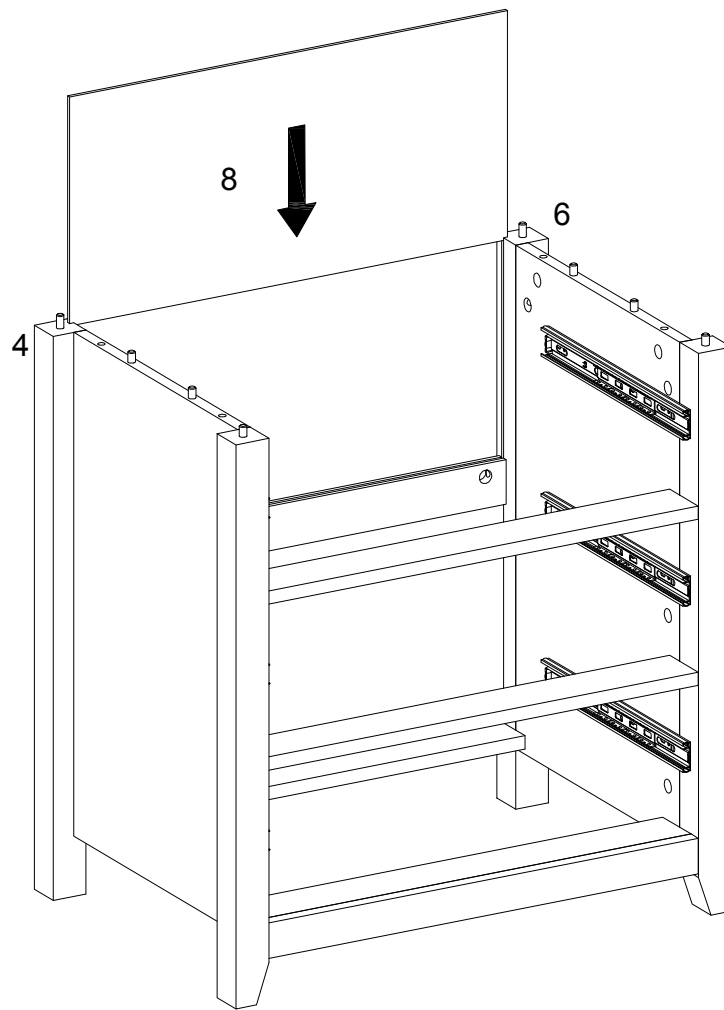
Step 9



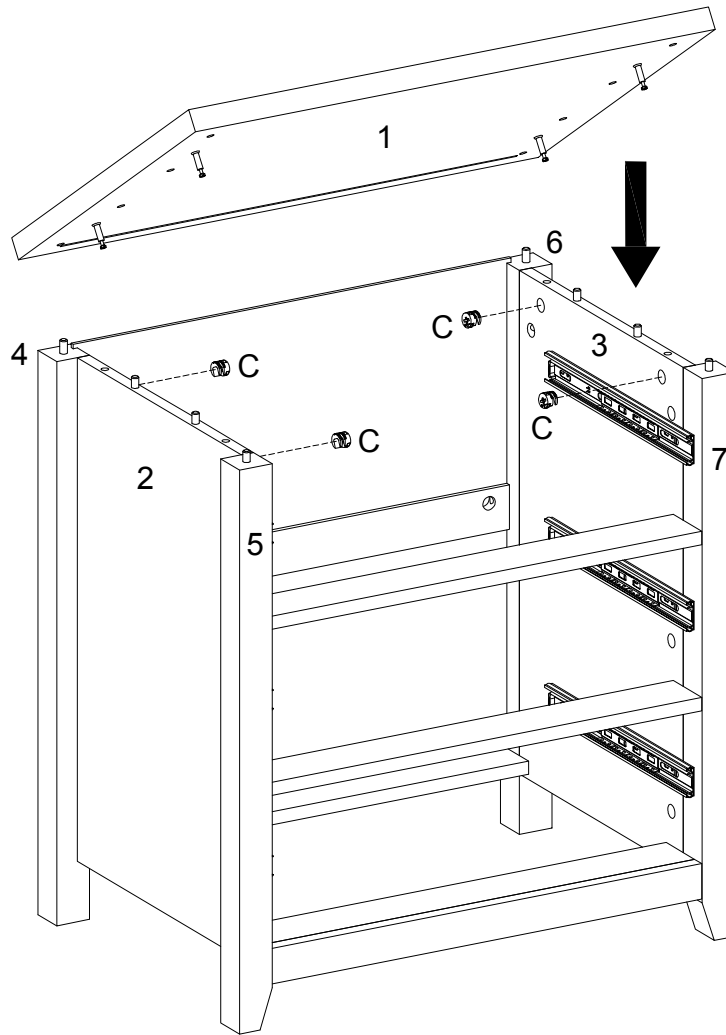
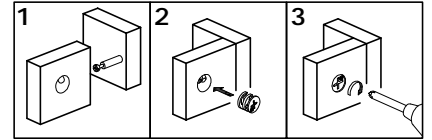
Step 10



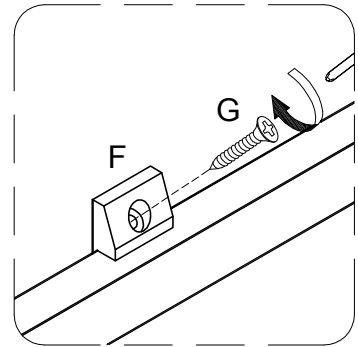
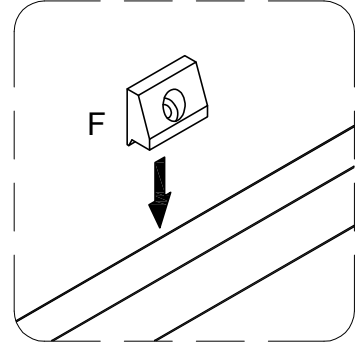
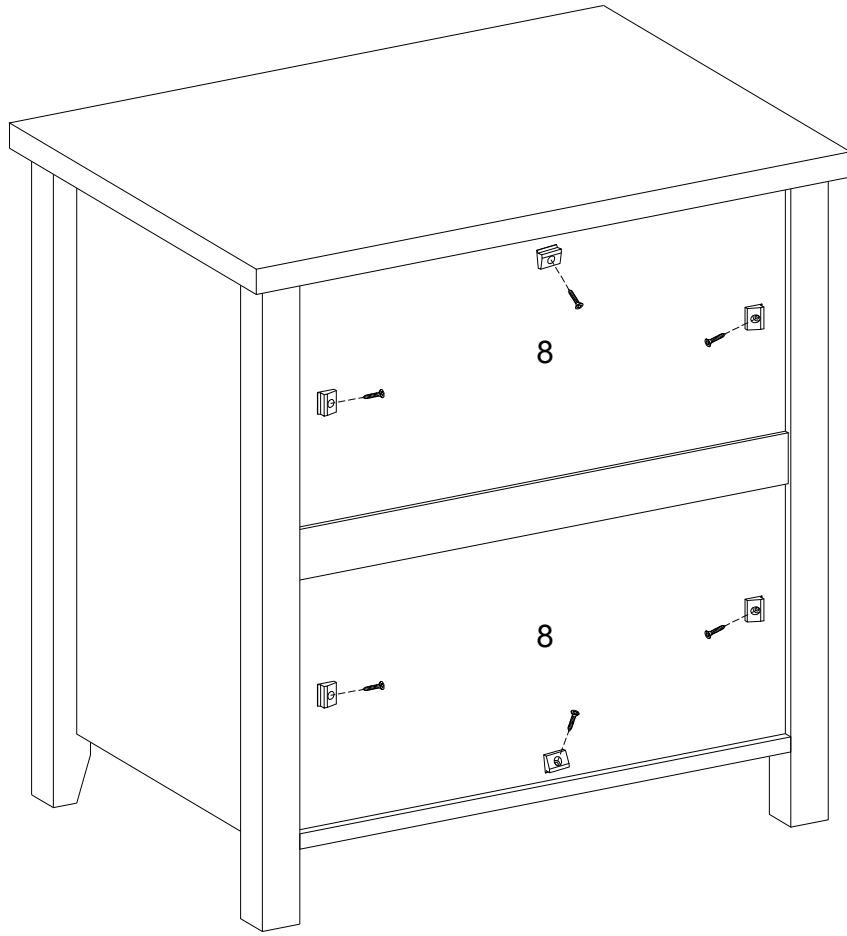
Step 11



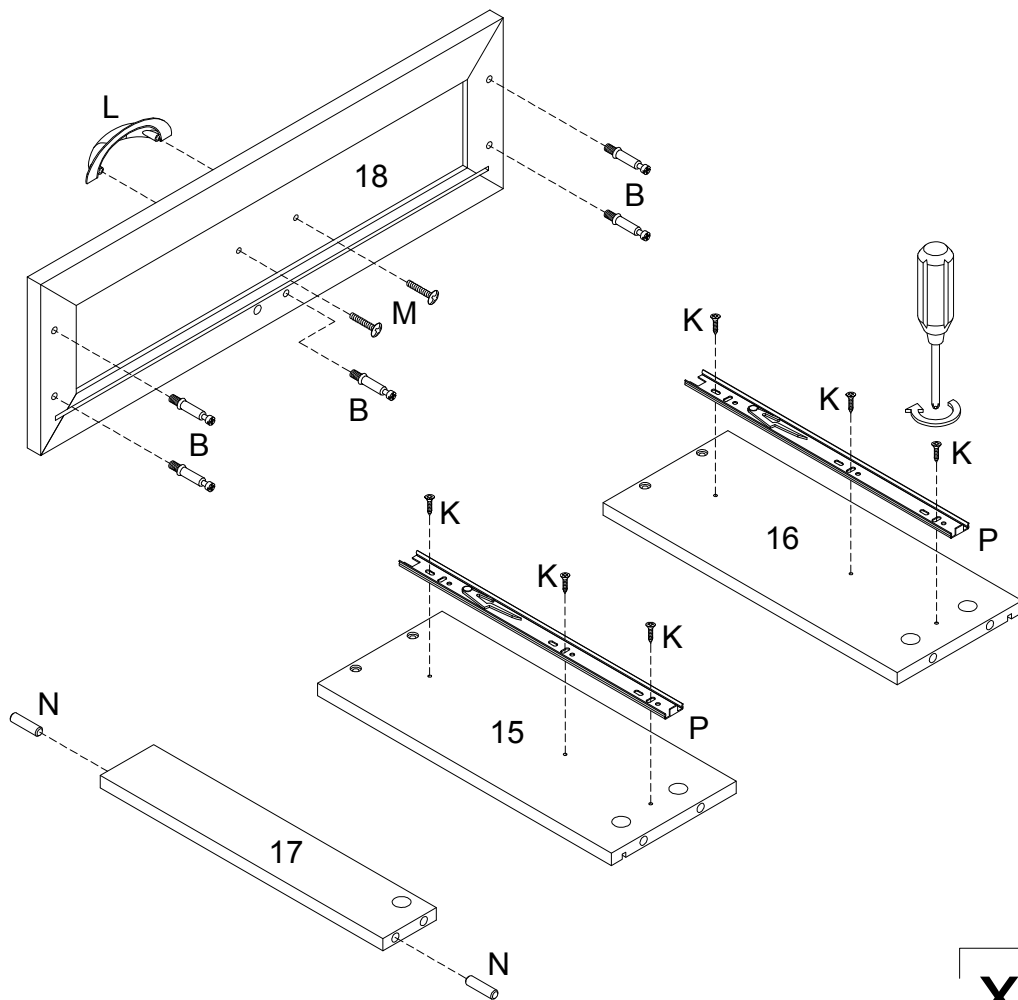
Step 12



Step 13

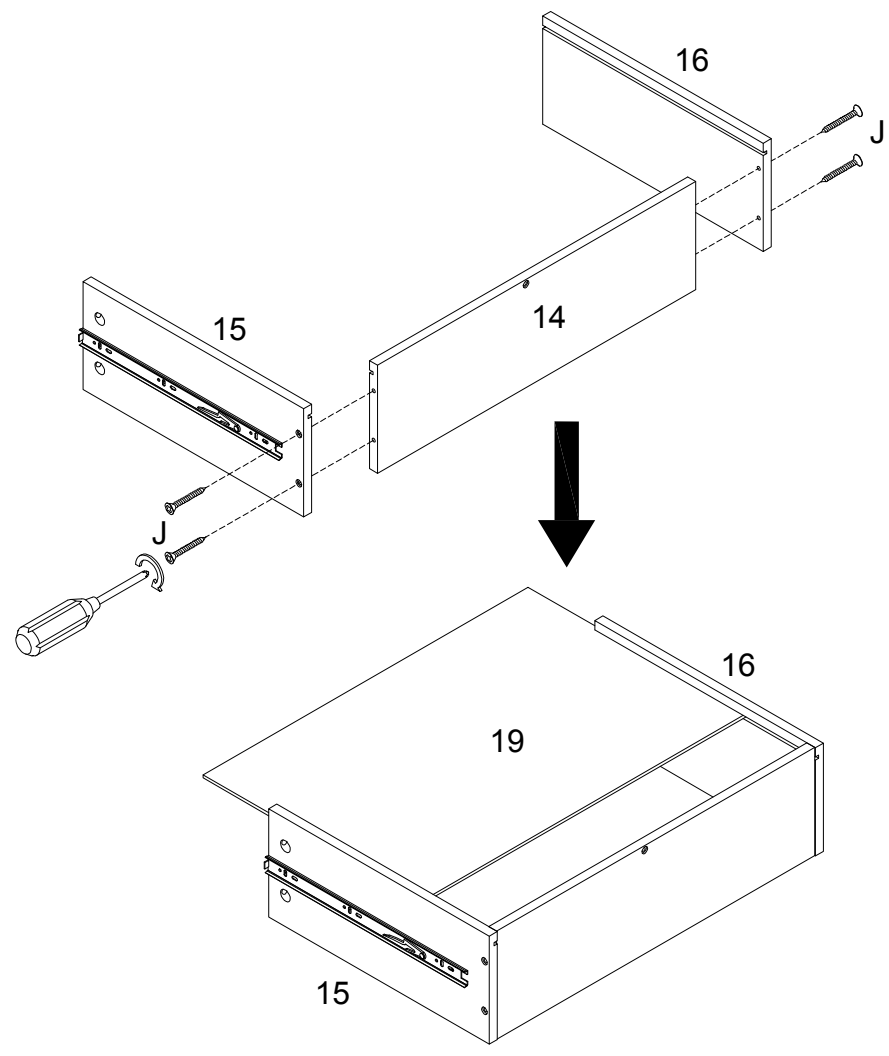


Step 14



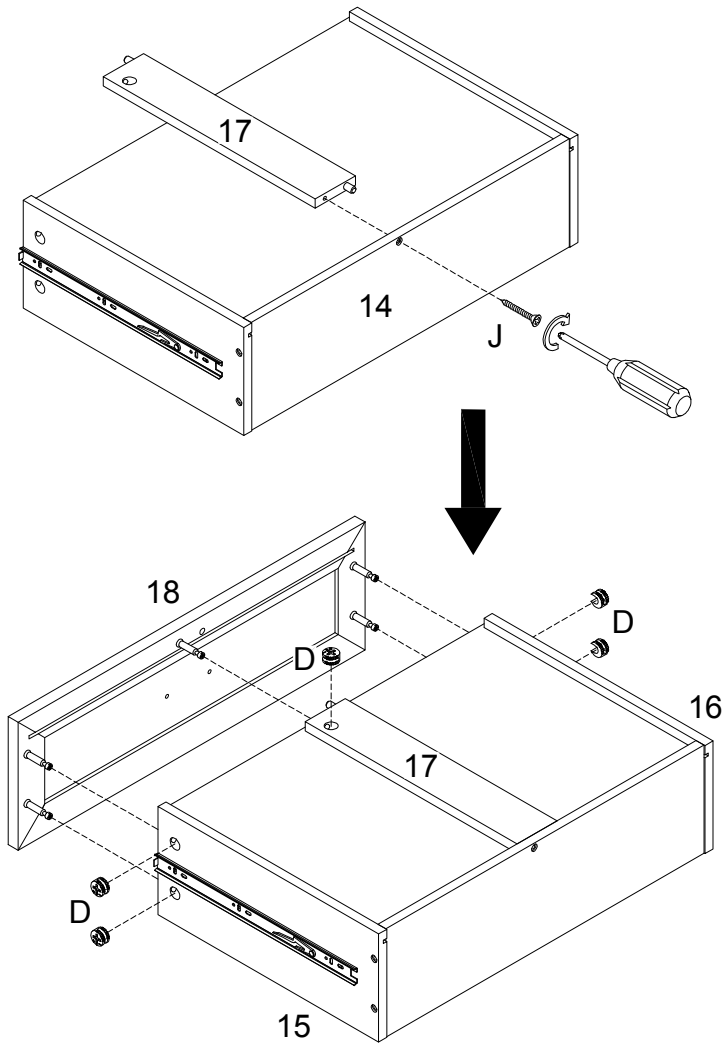
x 3

Step 15



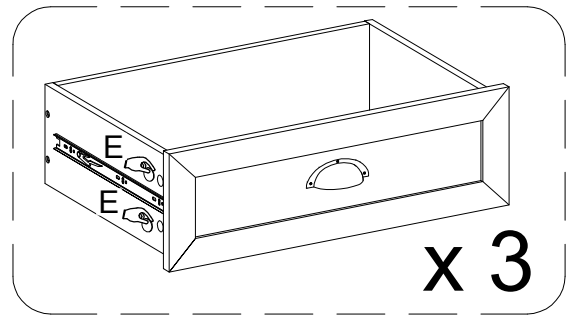
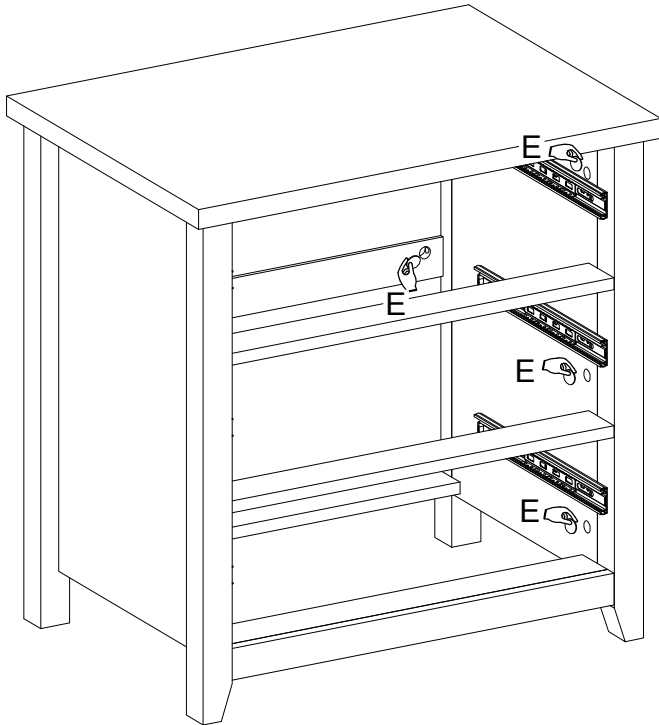
x 3

Step 16

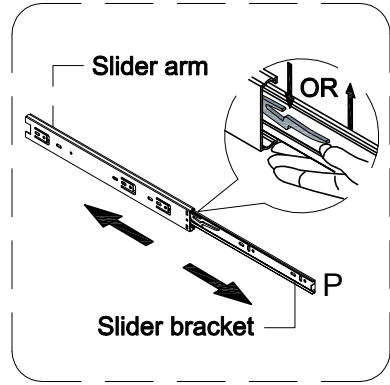
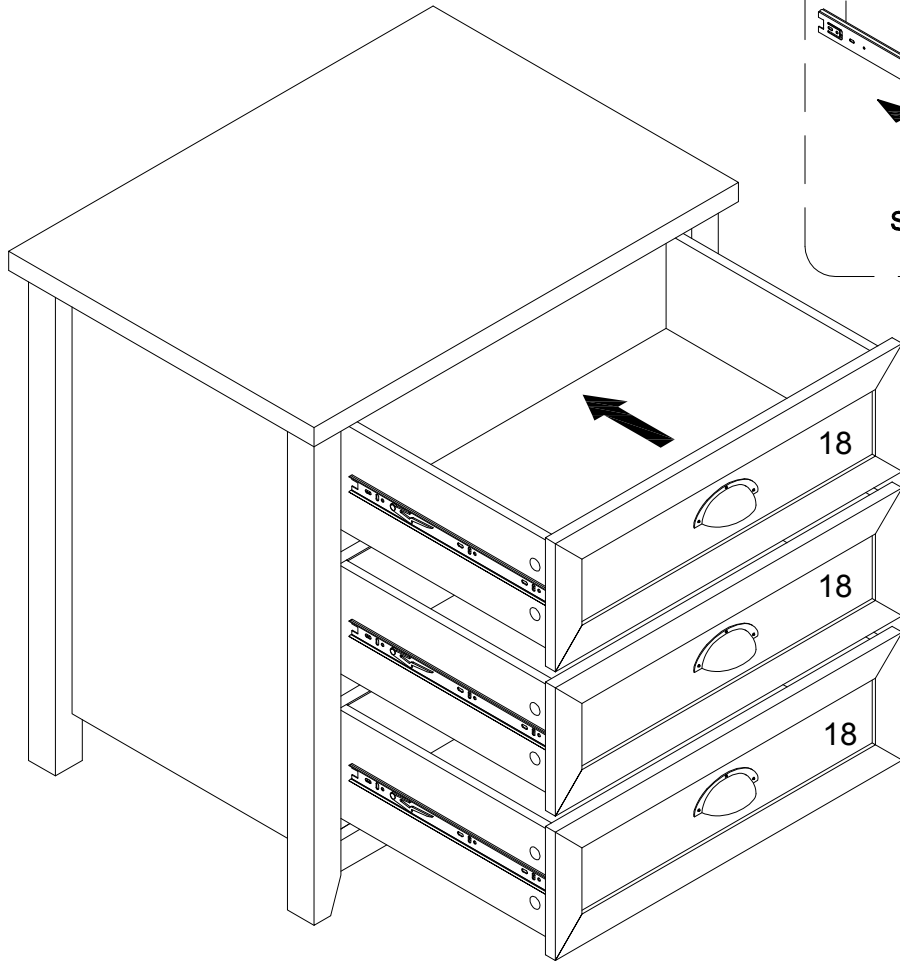


x 3

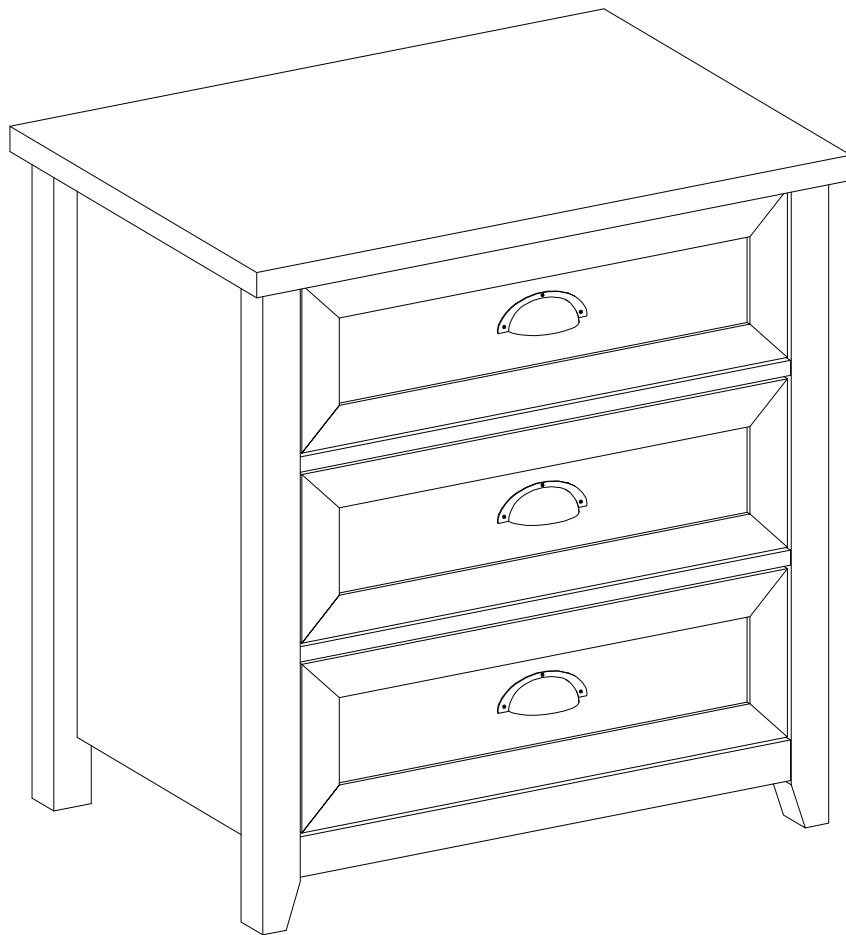
Step 17



Step 18



Step 19



Final Assembly