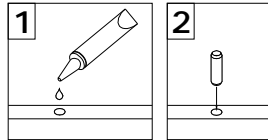
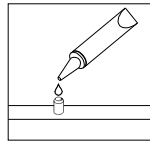


General Assembly Guidelines

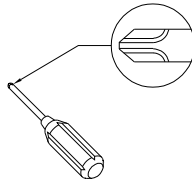
- I. Ensure that all parts and hardware are available before beginning assembly.
- II. Follow each step carefully to ensure the proper assembly of this product.
- III. Two people are recommended for ease in the assembly of this product.
- IV. The three main types of hardware used to assemble this product are: wood dowels, screws and bolts.
- V. The provided glue is to secure wood dowels in place. When first inserting dowels, locate the appropriate hole for the dowel, place a small amount of glue in the hole and insert the dowel. Wipe away excess glue immediately.



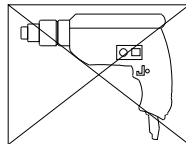
In future assembly steps when dowels are necessary to attach assembly parts together, place a small amount of glue on the end of the dowel before attaching parts together. Wipe away excess glue immediately.



- VI. A Phillips head screwdriver is required for the assembly of this product.

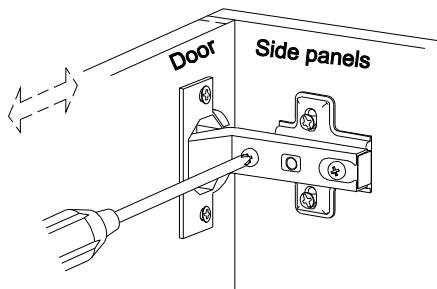


- VII. Power tools should not be used to assemble this product.

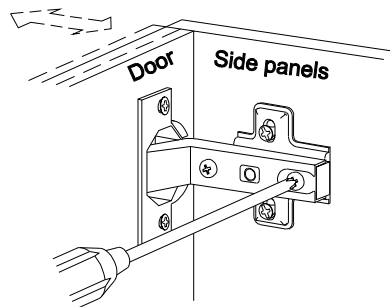


- VIII. Drill may be needed for securing product to wall.

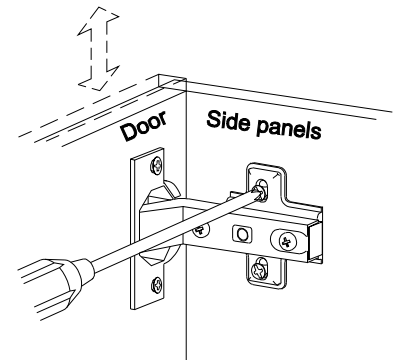
- IX. Concealed hinges are three-way adjustable.



Horizontal
by screw adjustment



In-and-Out
by loosening the hinge-arm
mounting screw or via cam
adjustment



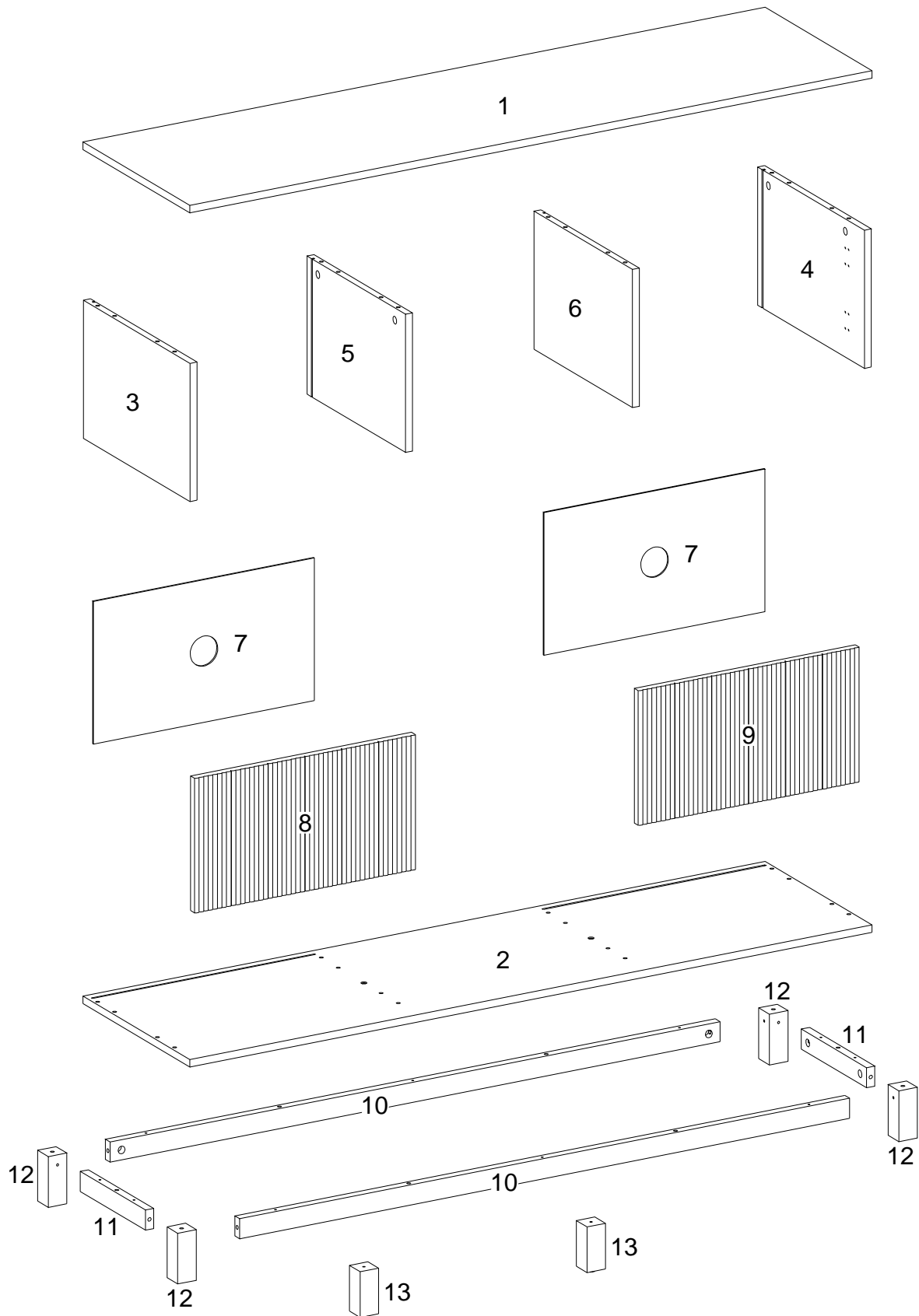
Vertical
Via slots in the mounting
plate or via cam adjustment

Parts List

Lista de piezas

Liste des pièces

Stückliste


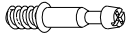


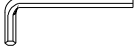
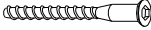
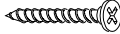
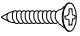
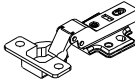


Hardware List

Liste des pièces

Liste du matériel

Teilleliste

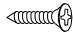
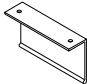
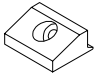
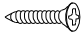

A		Ø8x30mm	Wooden dowel Cheville en bois Clavija de madera Holzdübel	26 pcs
B		Ø6x35mm	Cam bolt Boulon à came Perno de leva Nockenschraube	16 pcs
C		Ø15x11mm	Cam lock Serrure à came Cerradura de leva Zylindermutter	16 pcs
D		Ø30mm	Sticker Autocollant Pegatina Aufkleber	16 pcs
E		M 4	Hex key Clé hexagonale Llave hexagonal Inbusschlüssel	1 pc
F		Ø6x50mm	Screw Vis Tornillo Schraube	10 pcs
G		Ø4x38mm	Screw Vis Tornillo Schraube	10 pcs
H		Ø3.5x14mm	Screw Vis Tornillo Schraube	24 pcs
J		Ø35mm	Europe hinge Charnière Europe Bisagra de Europa Europa-Scharnier	4 pcs

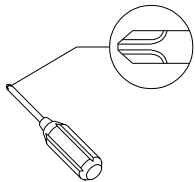
Hardware List

Liste des pièces

Liste du matériel

Teileliste

K		Ø3x12mm	Screw Vis Tornillo Schraube	4 pcs
L			Handle Poignée Mango Griff	2 pcs
M			Plastic wedge Cale en plastique Cuña de plástico Kunststoffkeil	8 pcs
N		Ø3x17mm	Screw Vis Tornillo Schraube	8 pcs
P			Glue tube Tube de colle Tubo de pegamento Kleber in Tube	1 pc



Philips head screwdriver required for assembly
(not included)

Un tournevis cruciforme est requis pour l'assemblage.
(non inclus)

Se requiere un destornillador de cabeza Philips para el montaje
(no incluido)

Für die Montage benötigen Sie einen Kreuzschlitzschraubenzieher
(nicht enthalten)

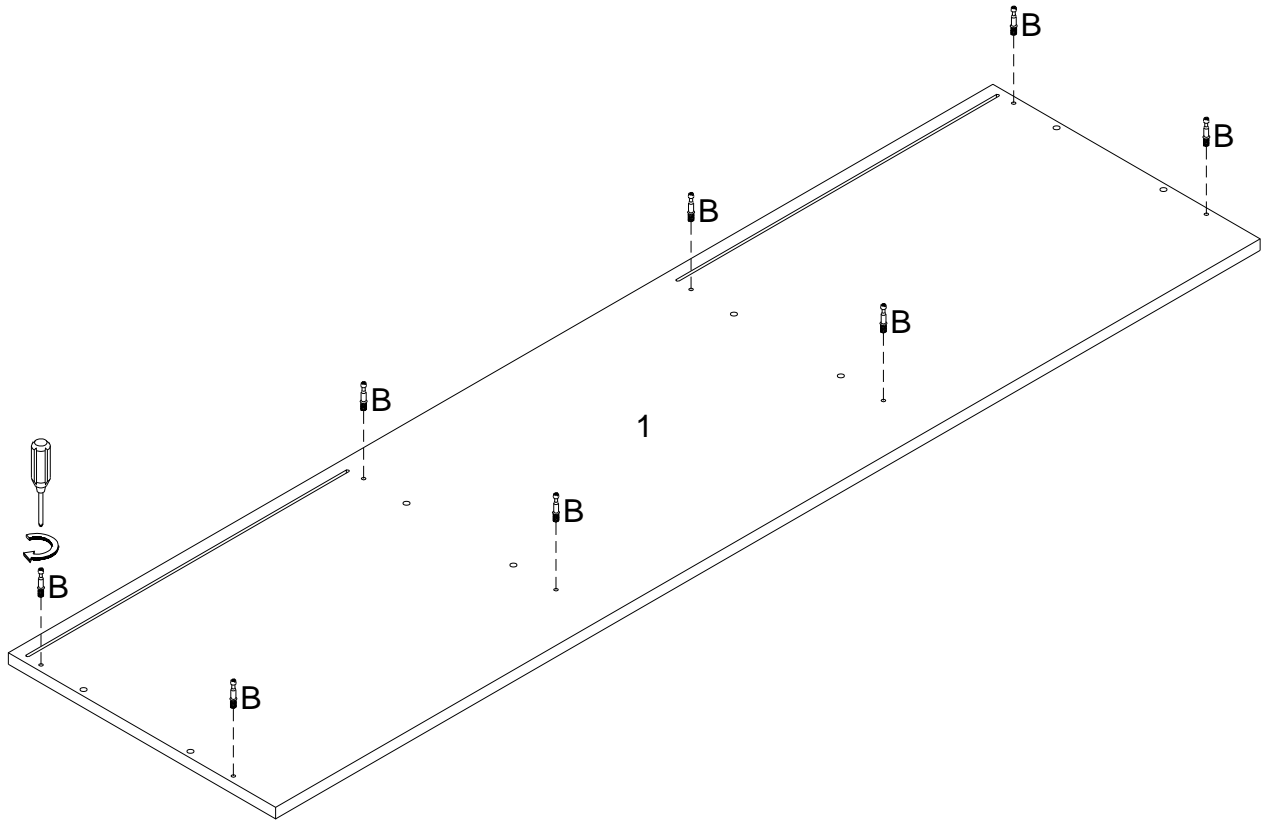
The hardware quantities listed above are required for proper assembly. Some extra hardware may also have been included.

Les quantités de matériel indiquées ci-dessus sont requises pour un montage adéquat. Du matériel supplémentaire peut aussi avoir été inclus.

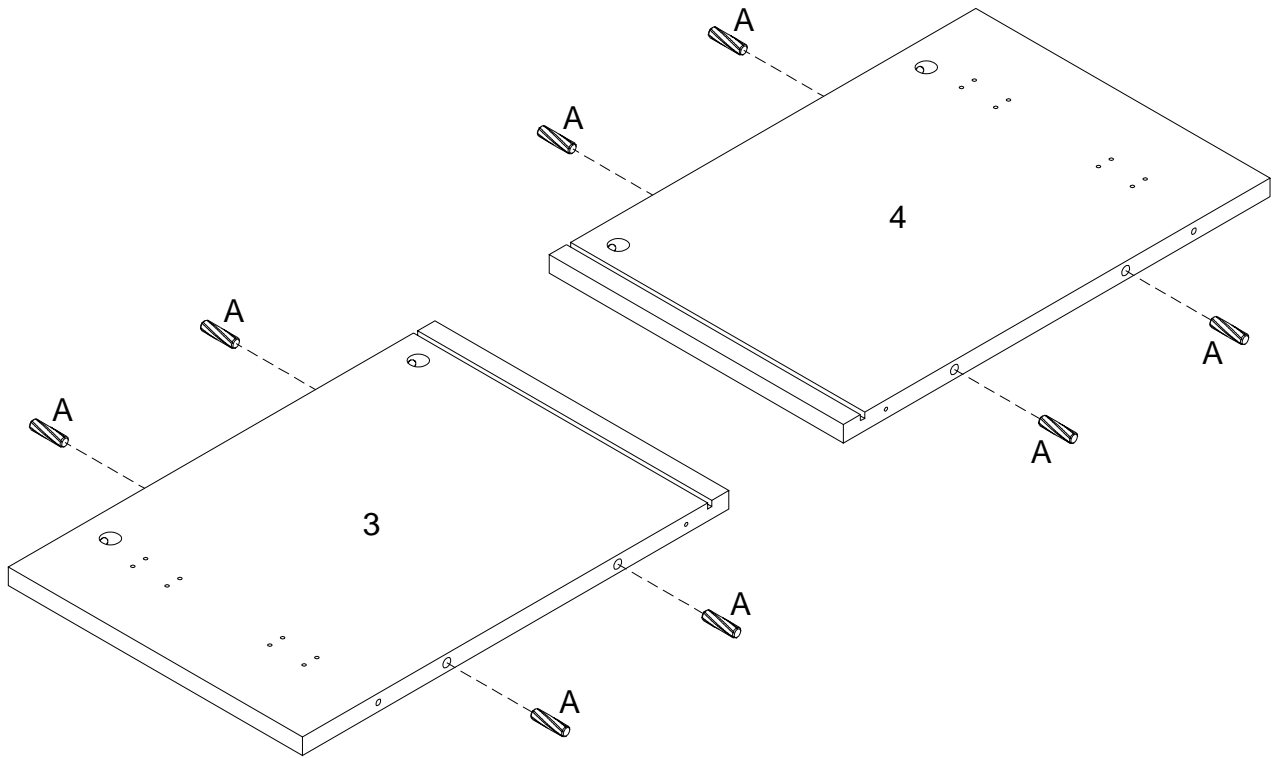
Las cantidades de materiales antes mencionadas son necesarias para el ensamblaje apropiado. Se podrían incluir algunas piezas de materiales adicionales.

Für die ordnungsgemäße Montage sind die oben aufgeführten Mengen der jeweiligen Beschläge erforderlich. Möglicherweise sind zusätzliche Beschläge enthalten.

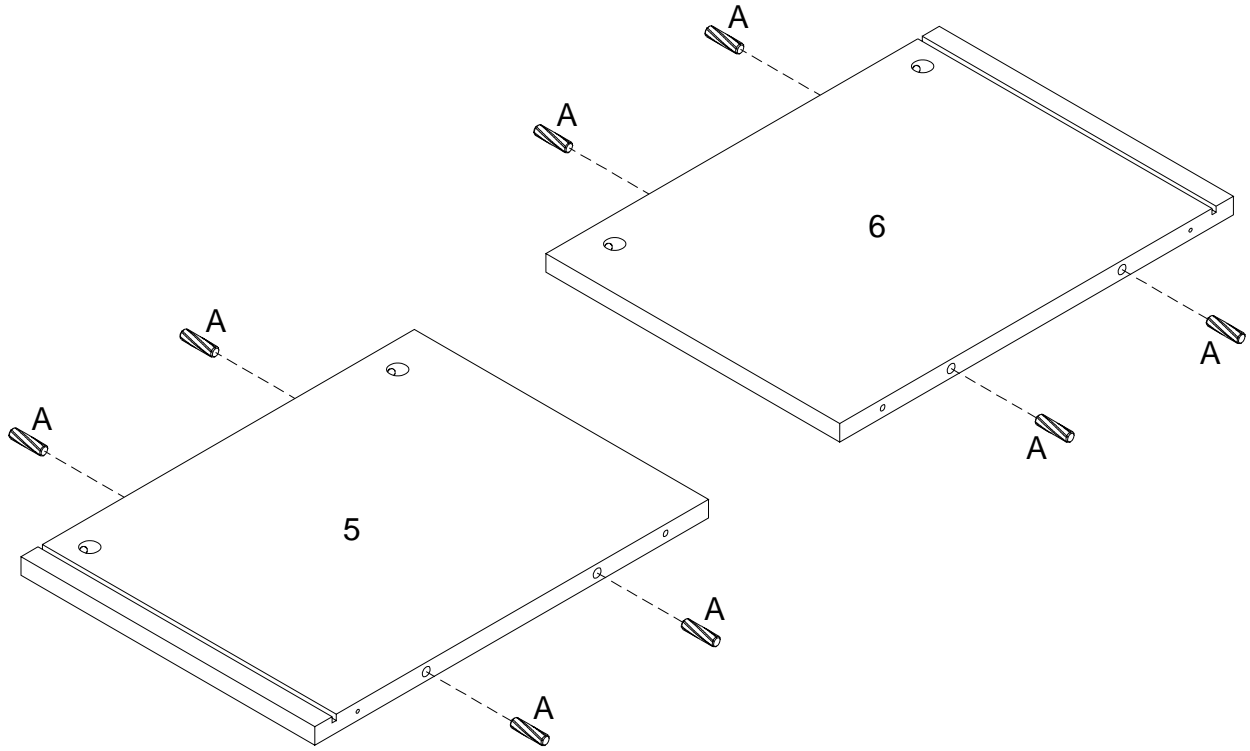
Step 1



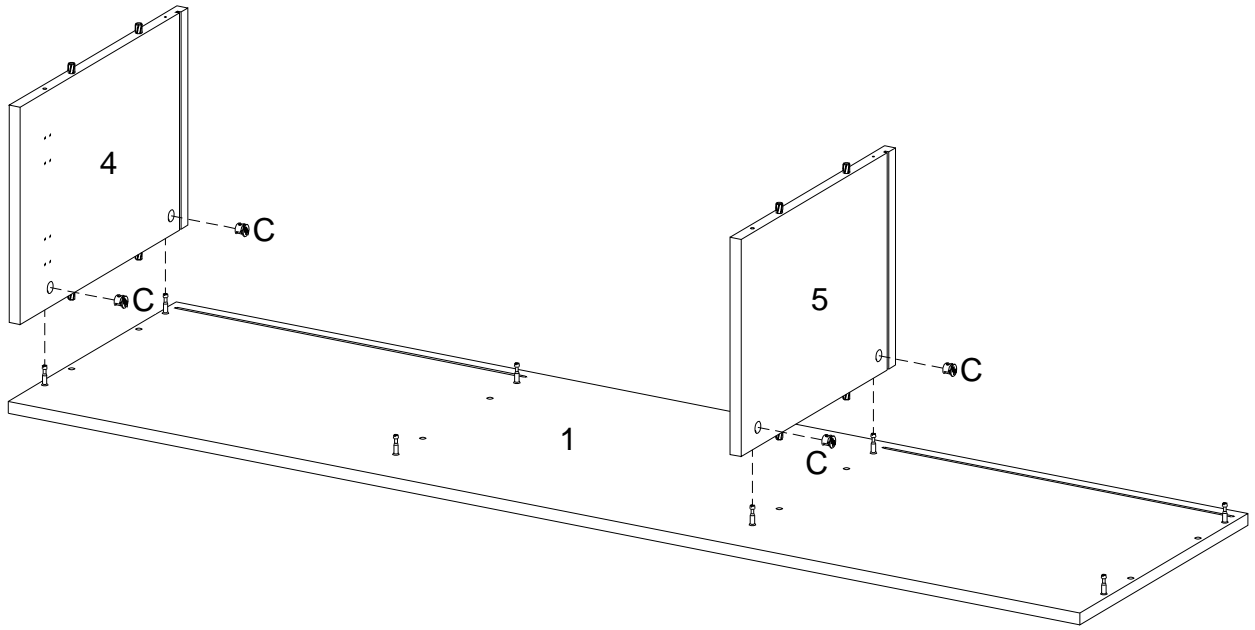
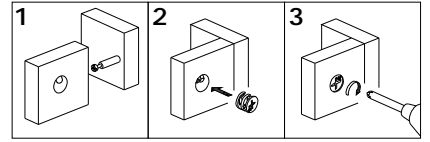
Step 2



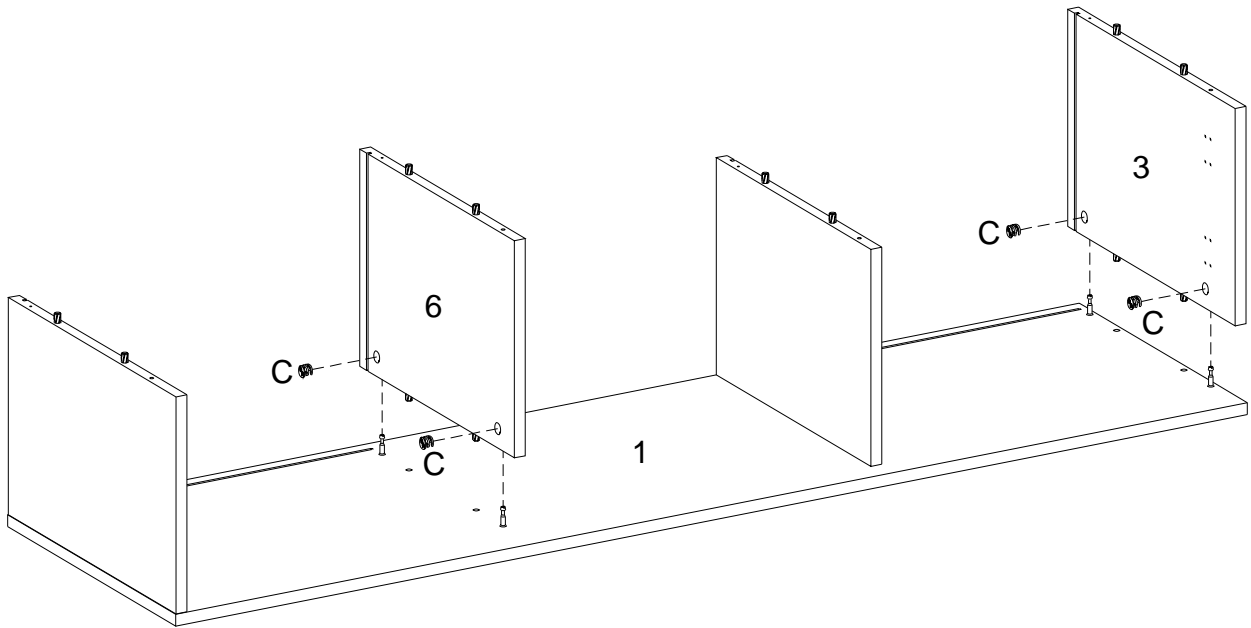
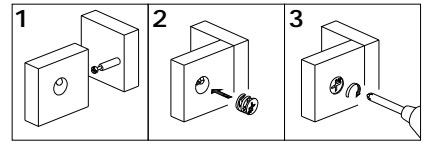
Step 3



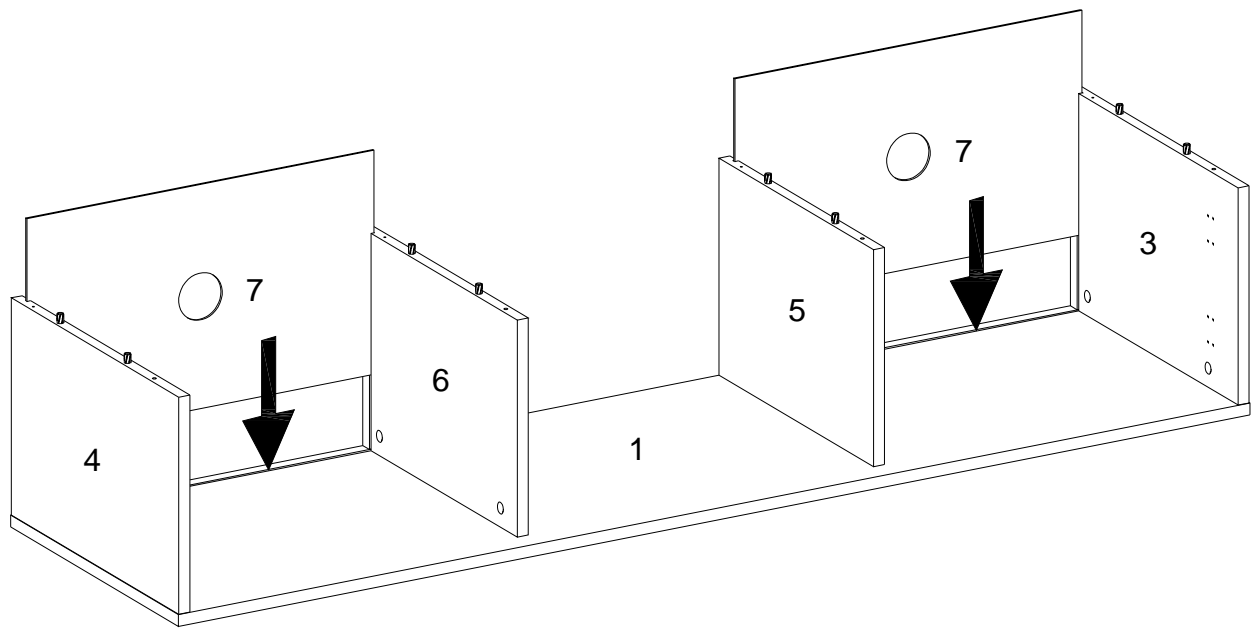
Step 4



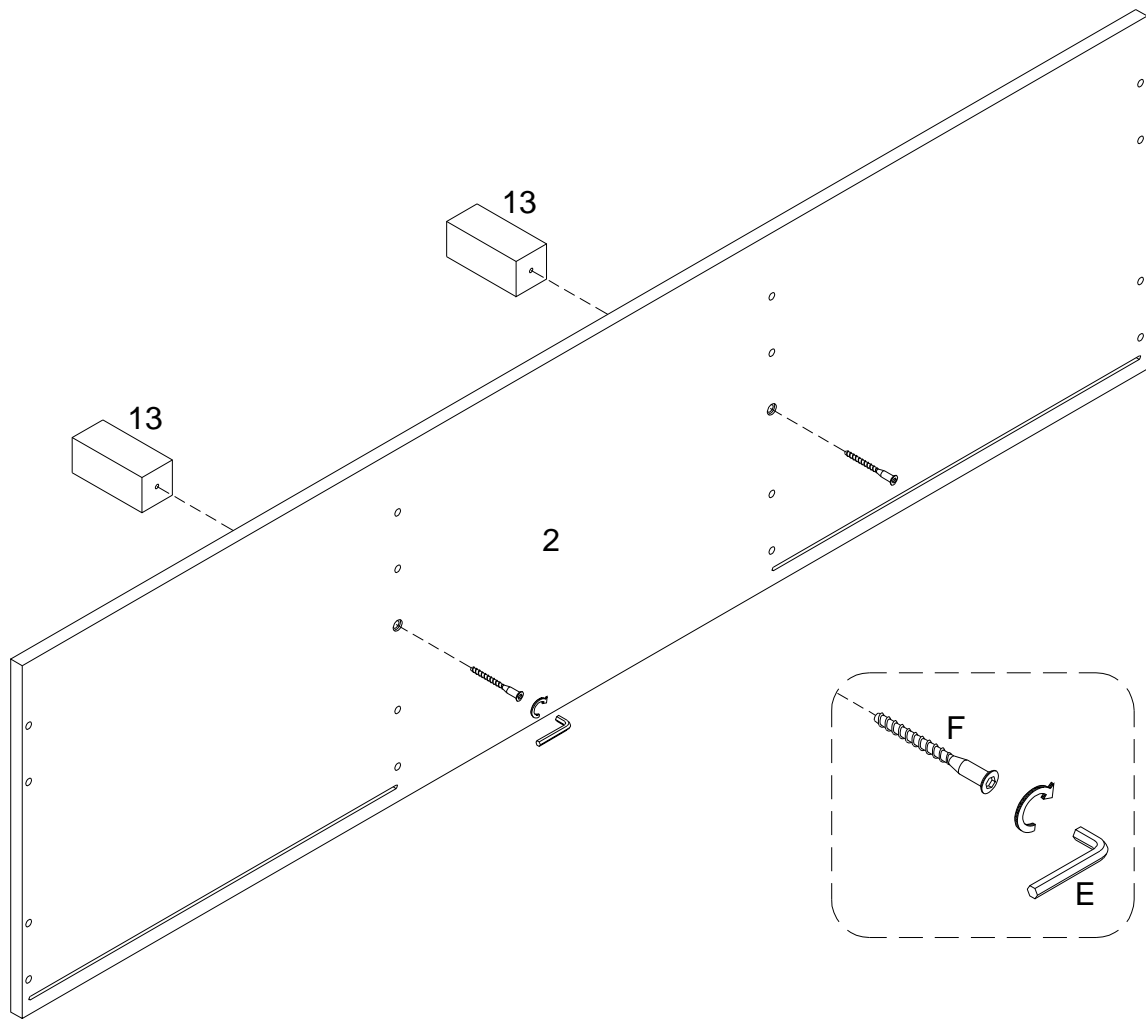
Step 5



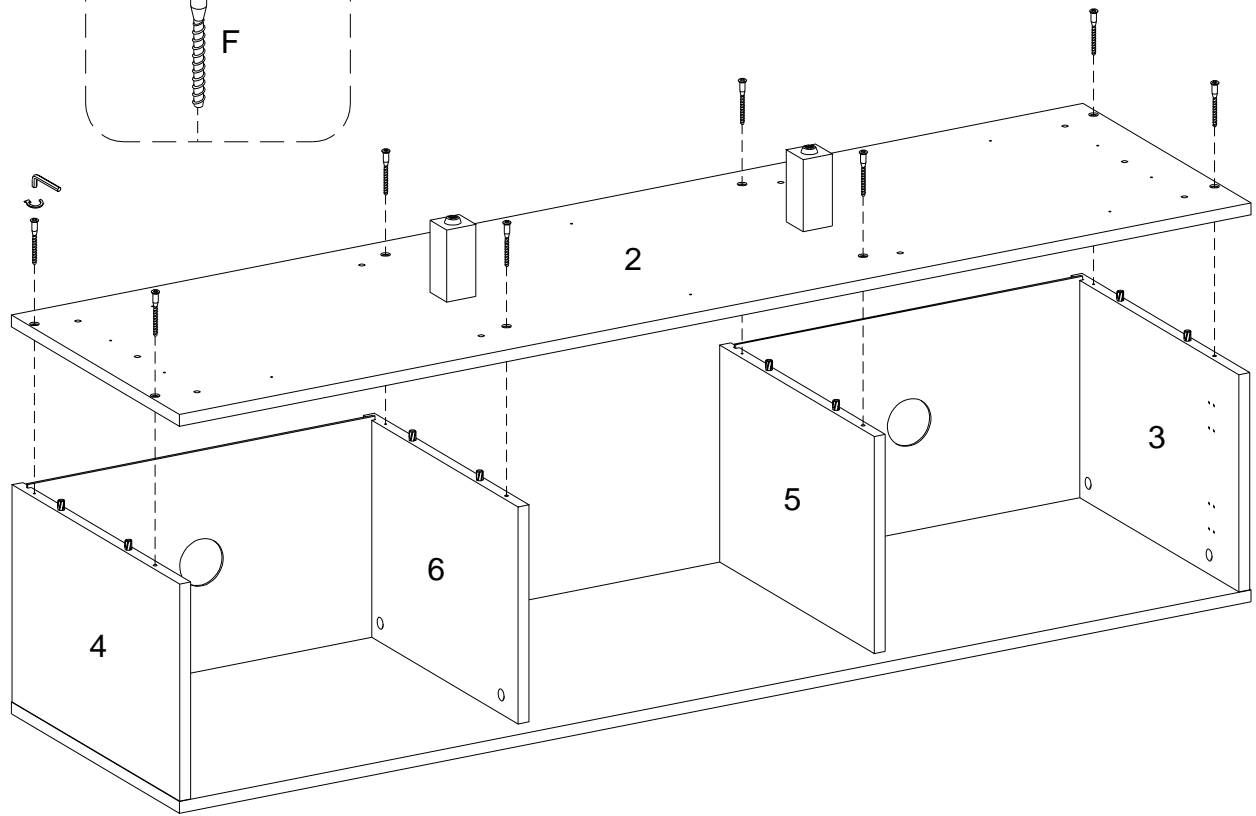
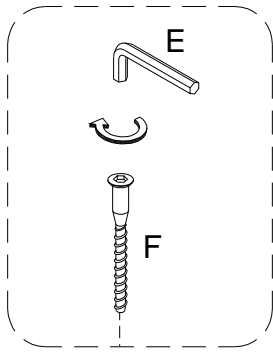
Step 6



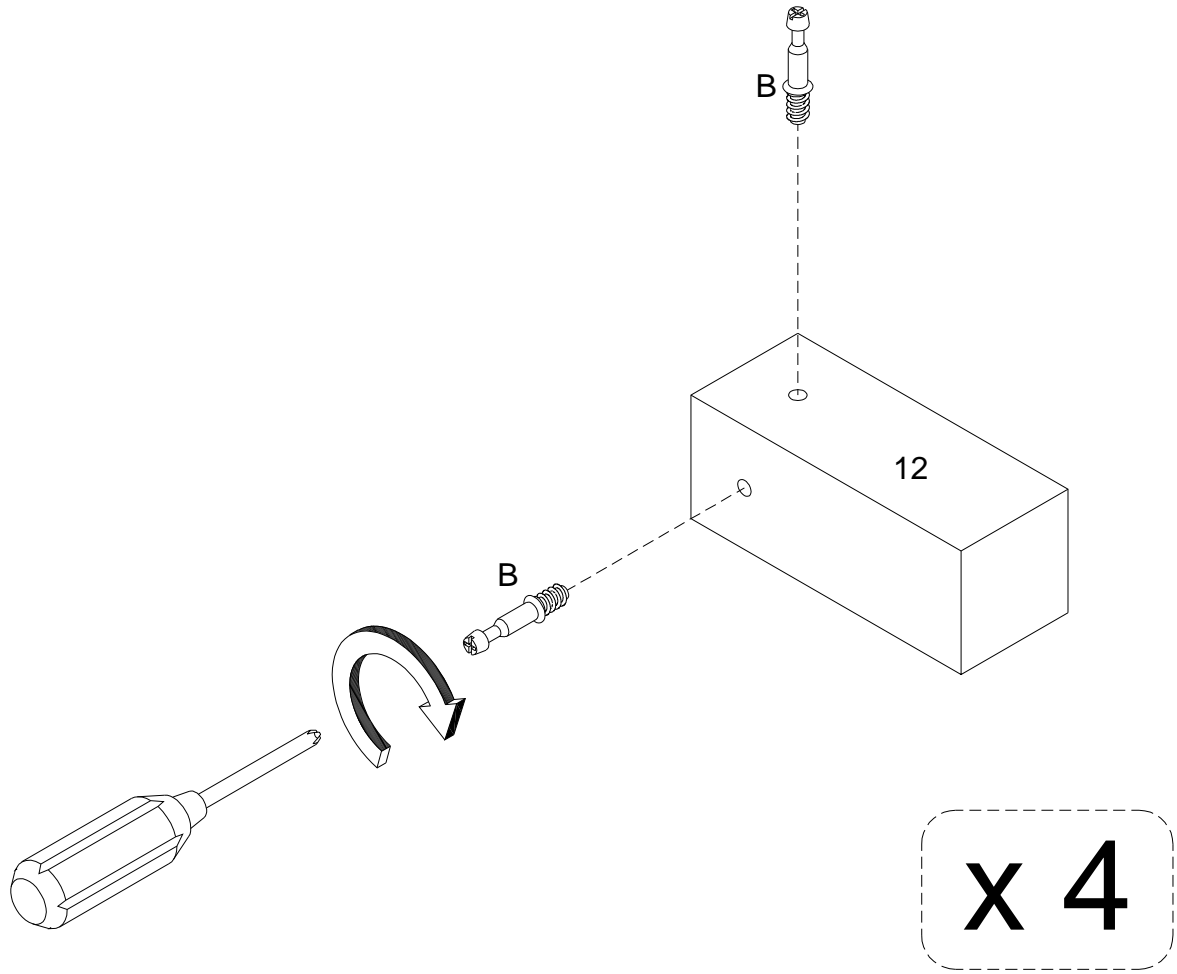
Step 7



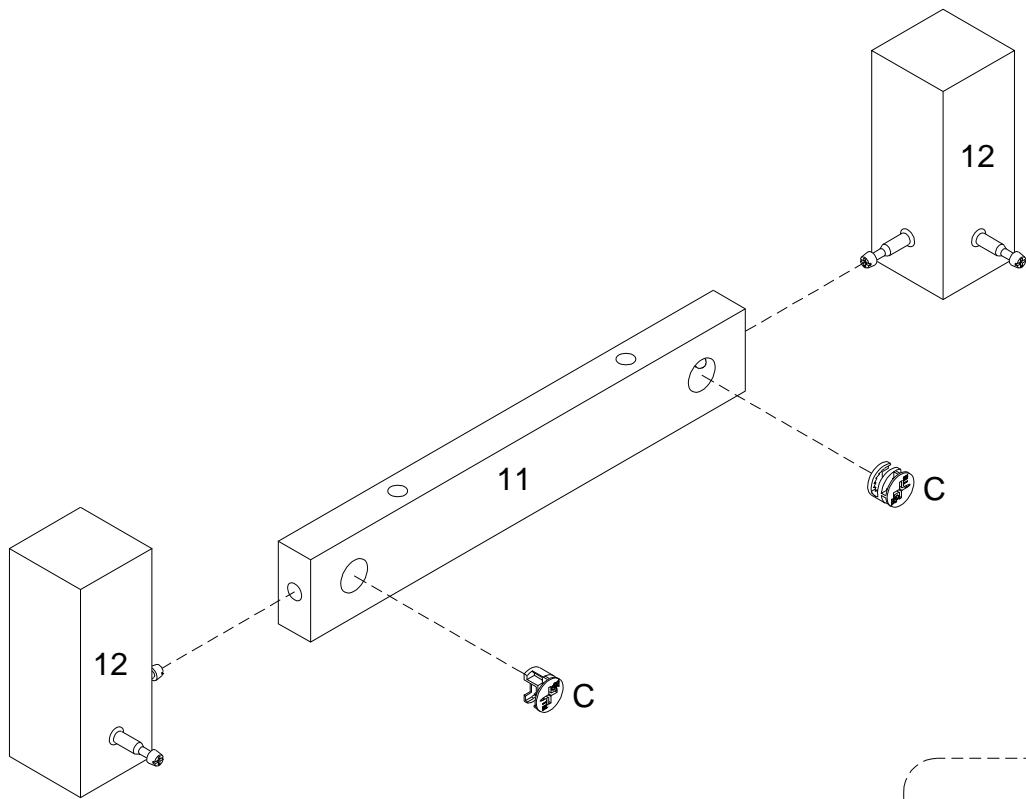
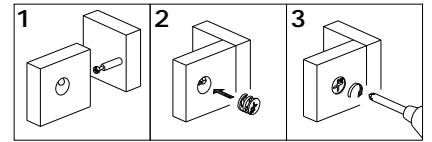
Step 8



Step 9

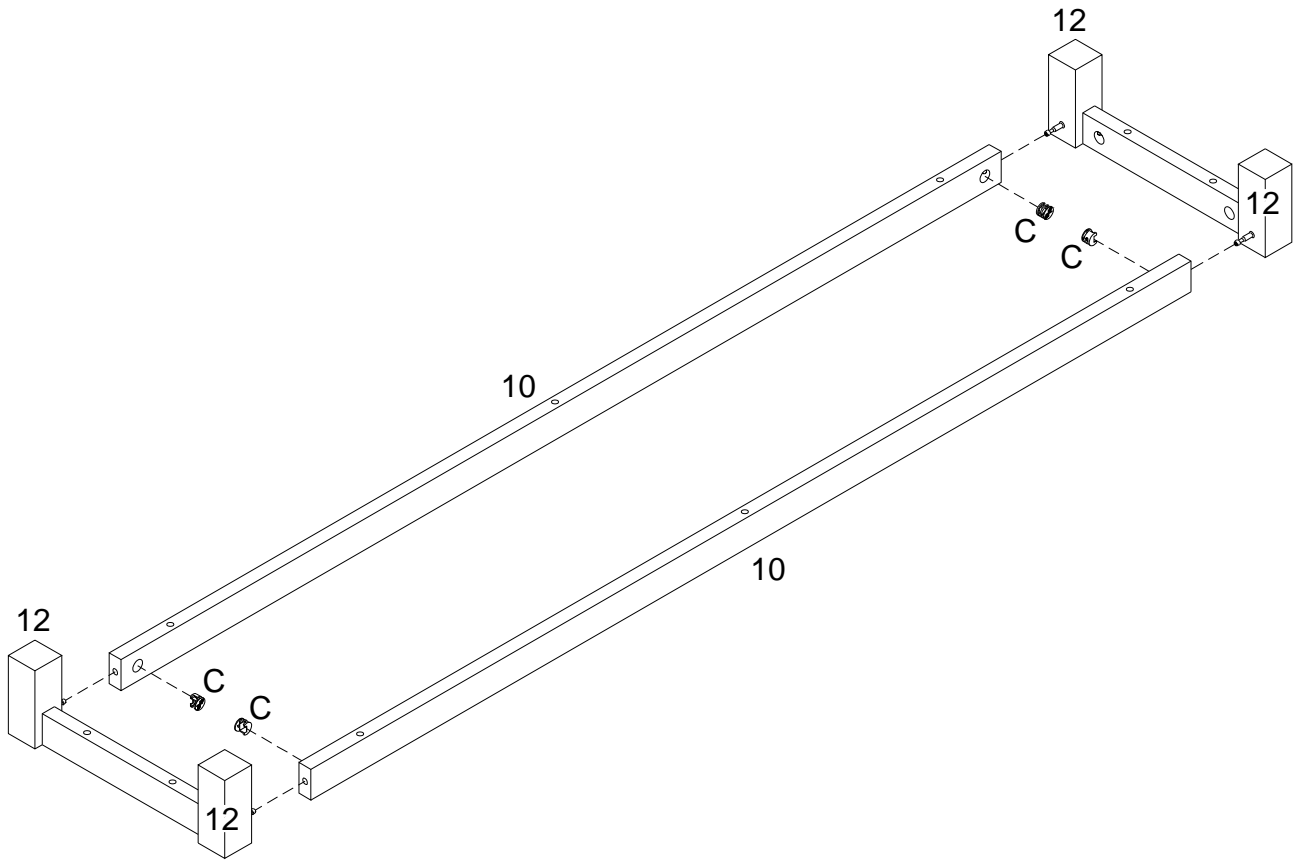
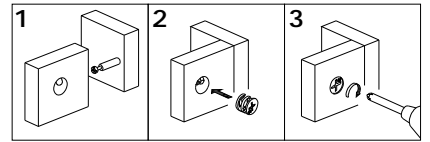


Step 10

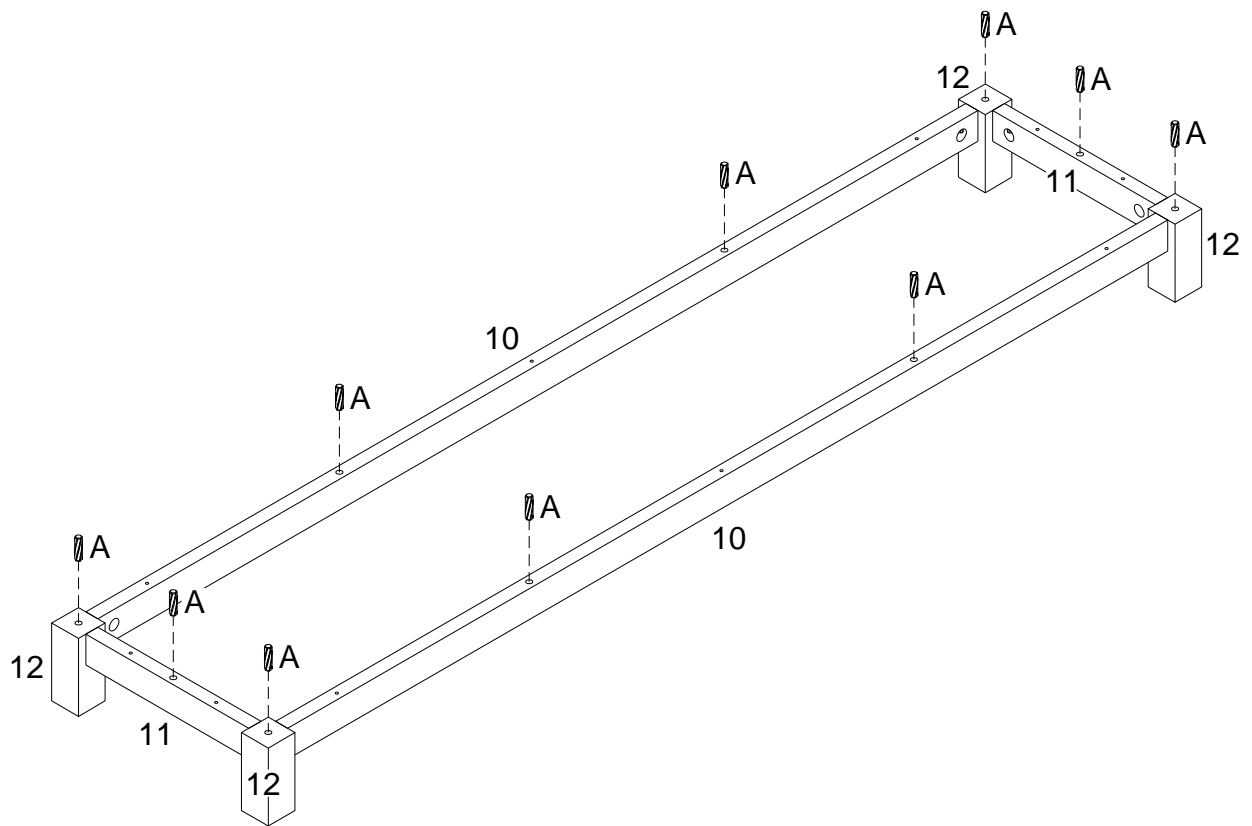


x 2

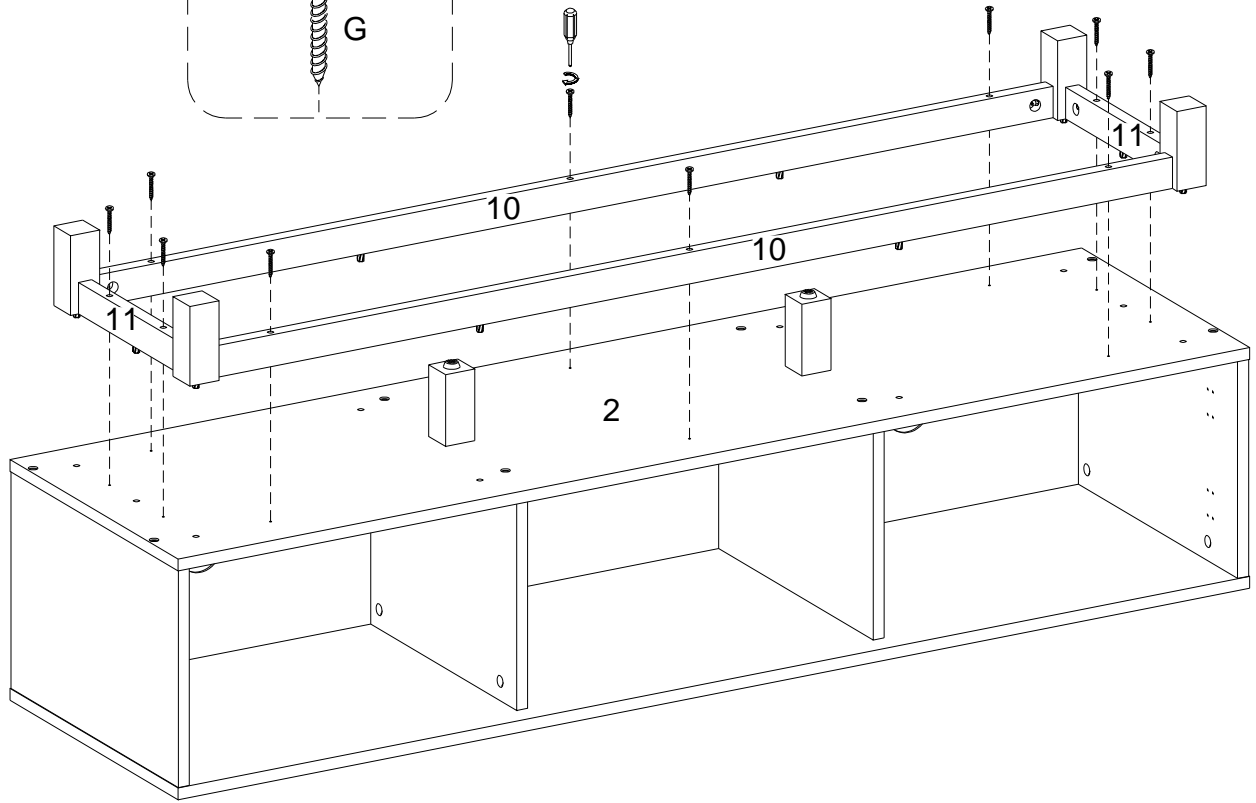
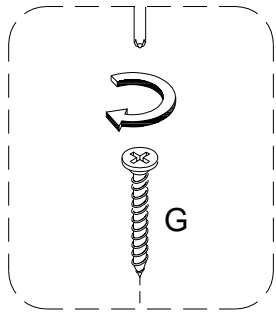
Step 11



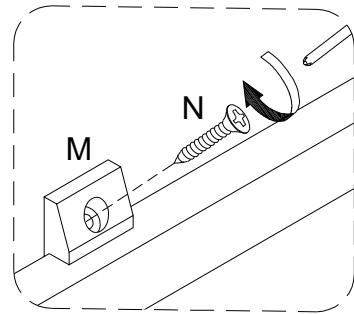
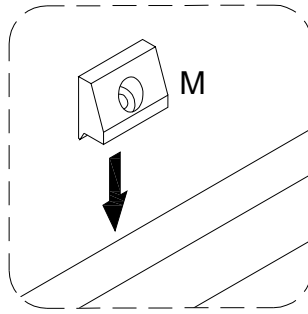
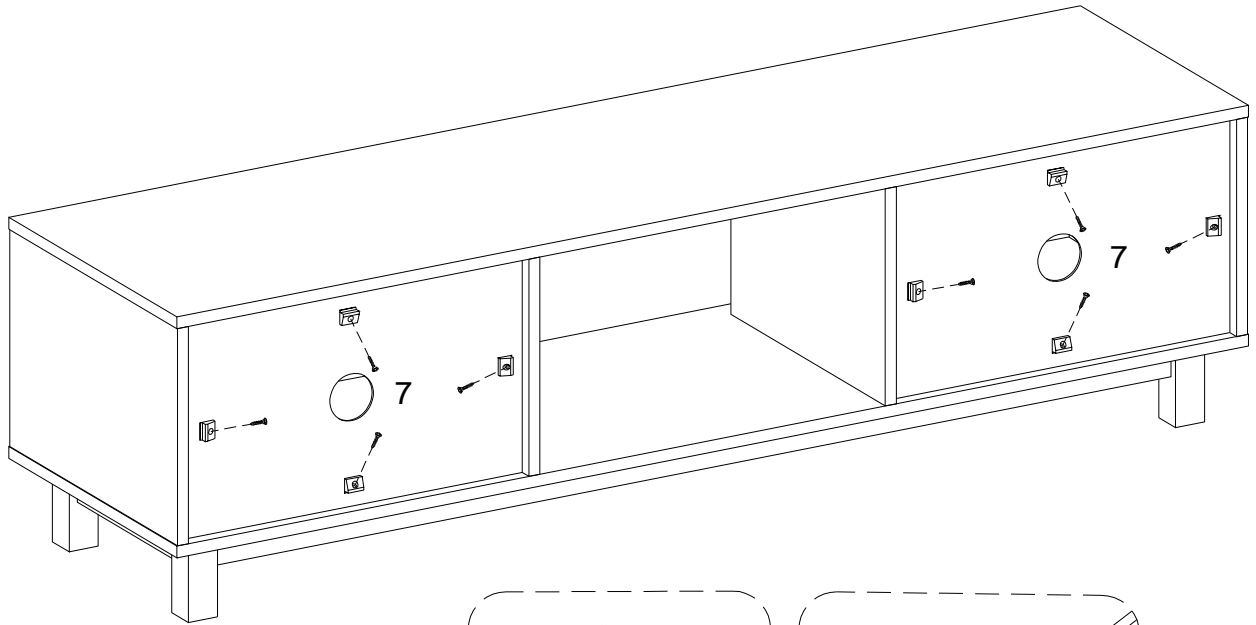
Step 12



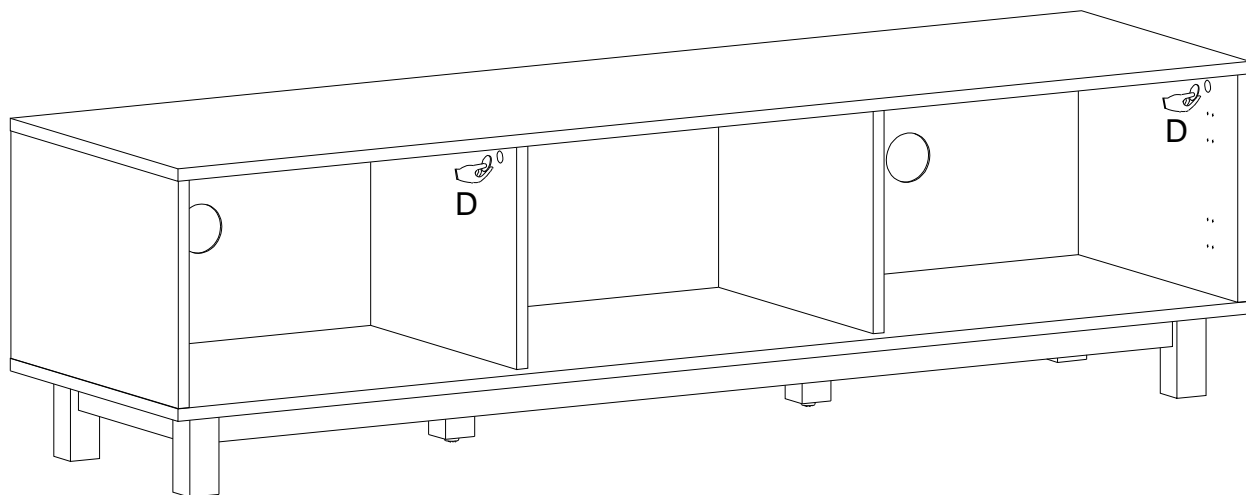
Step 13



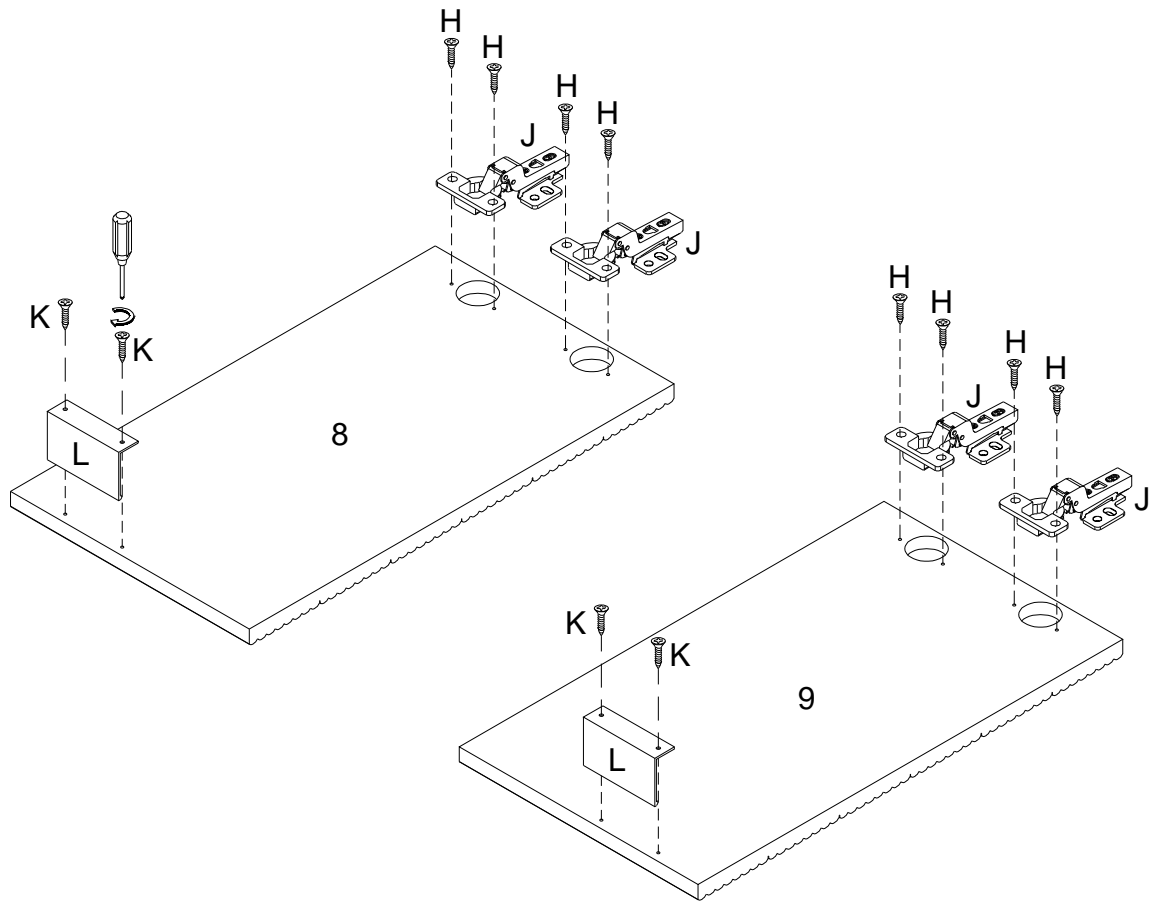
Step 14



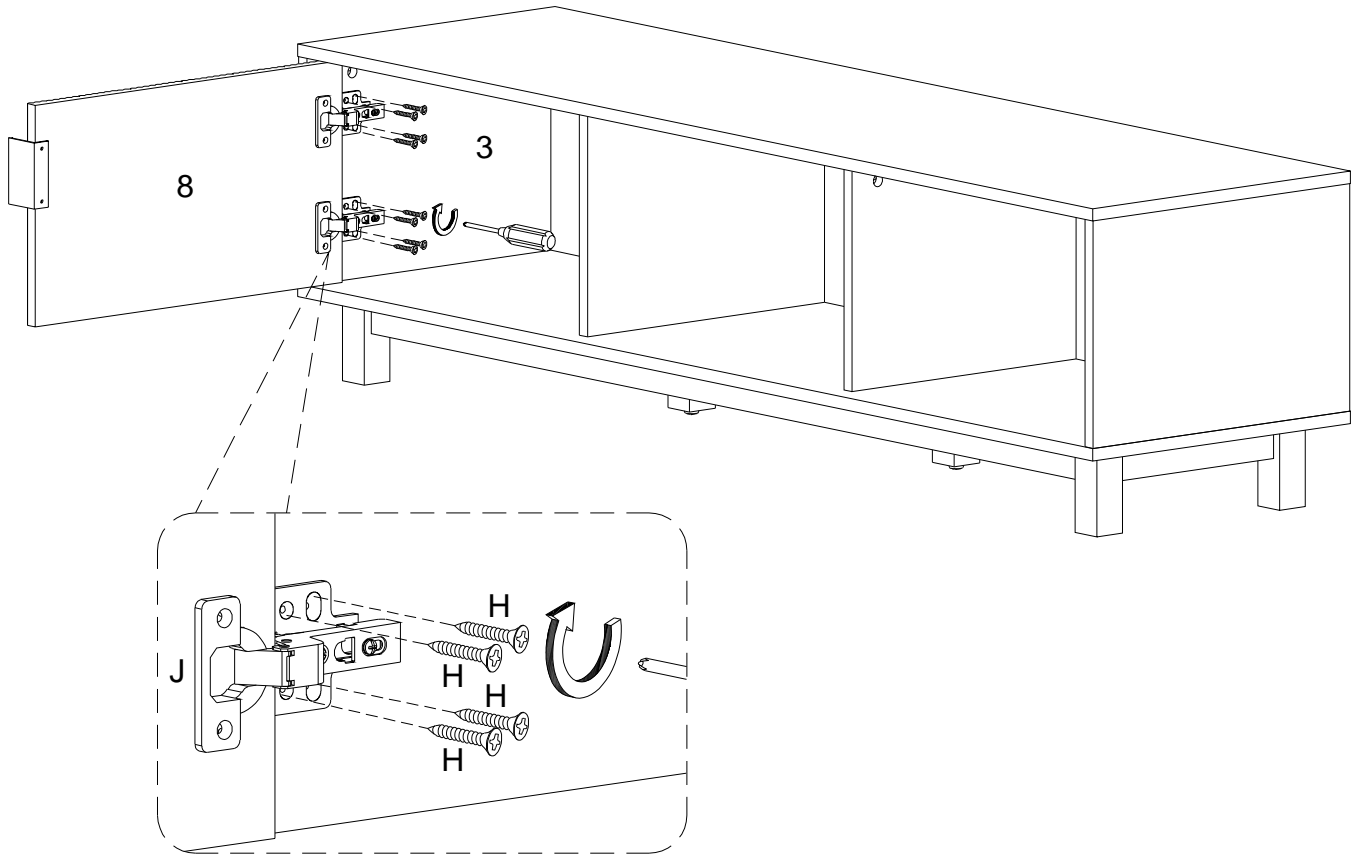
Step 15



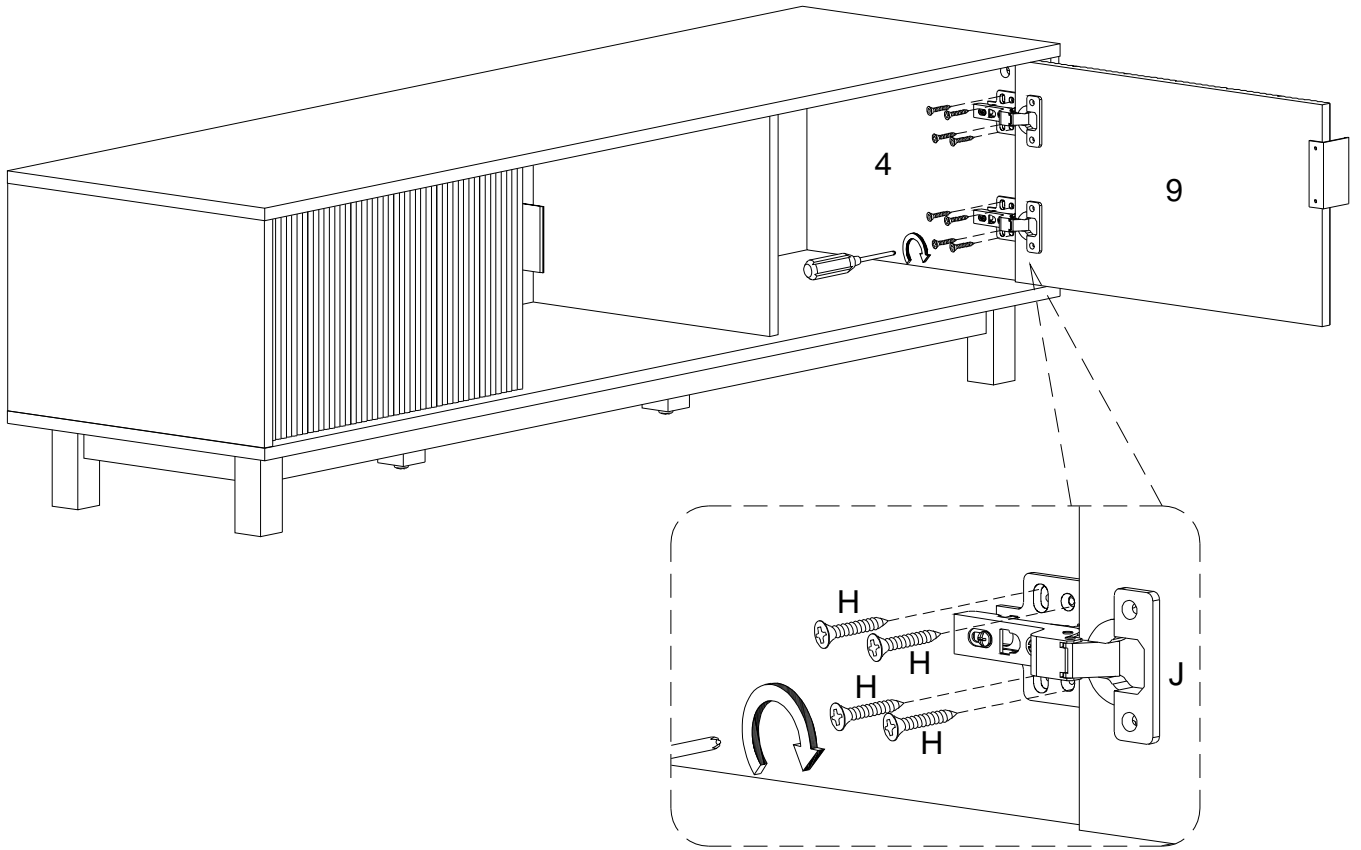
Step 16



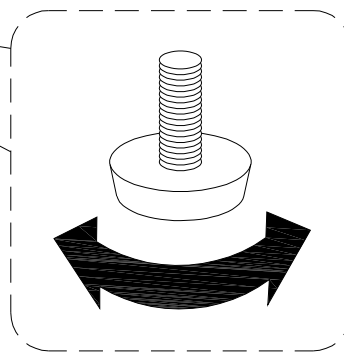
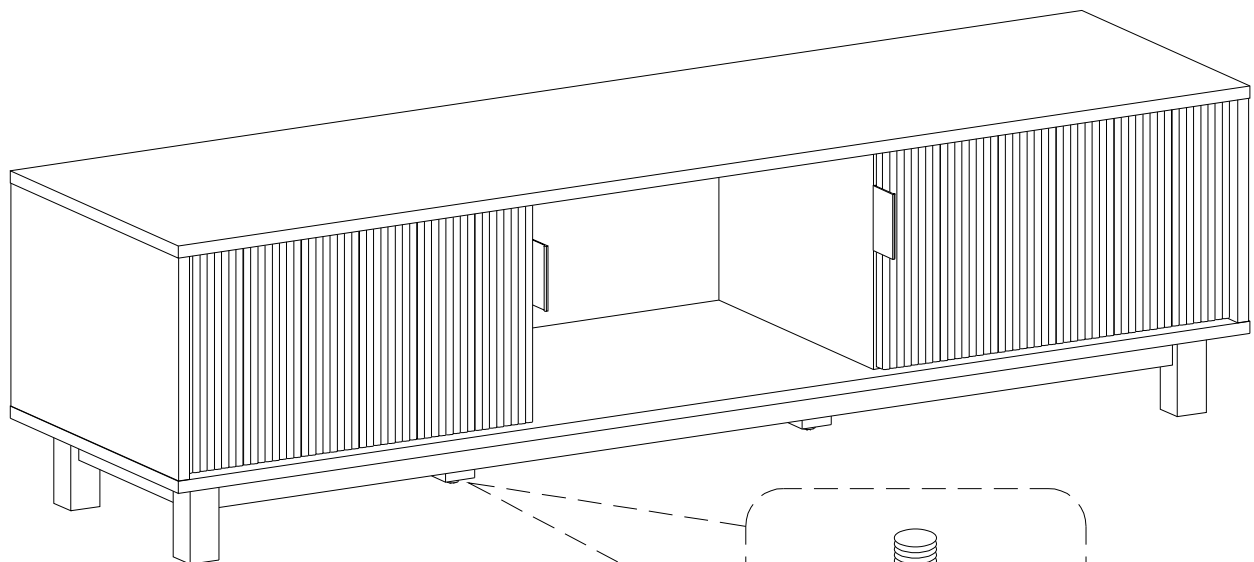
Step 17



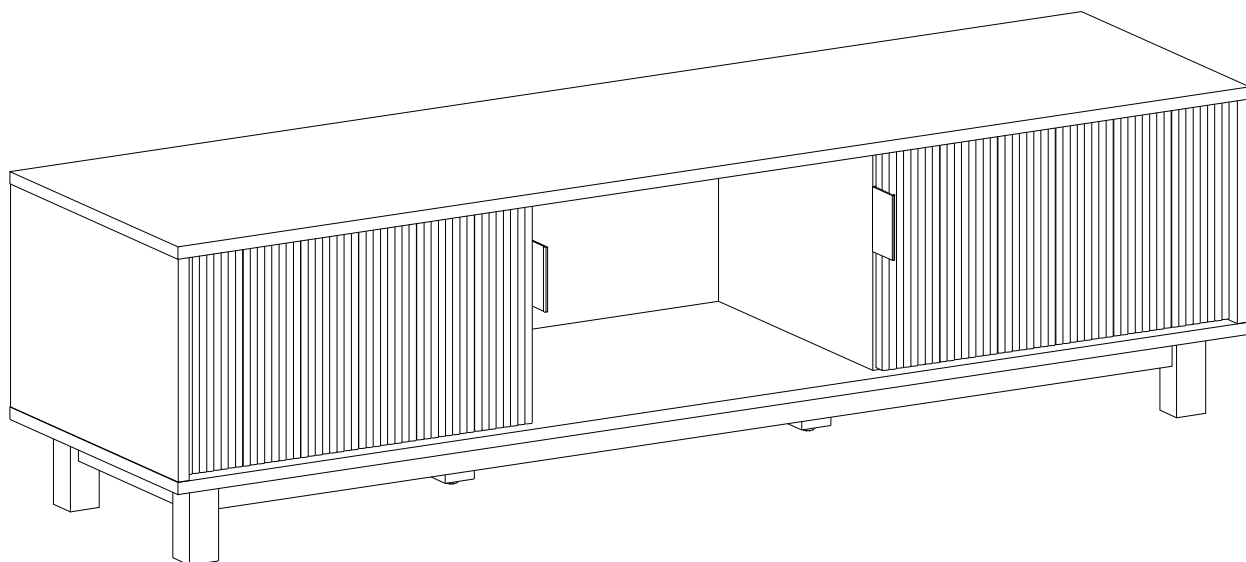
Step 18



Step 19



Step 20



Final Assembly