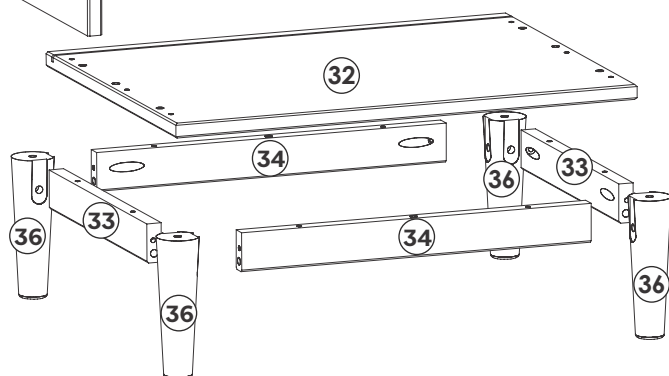
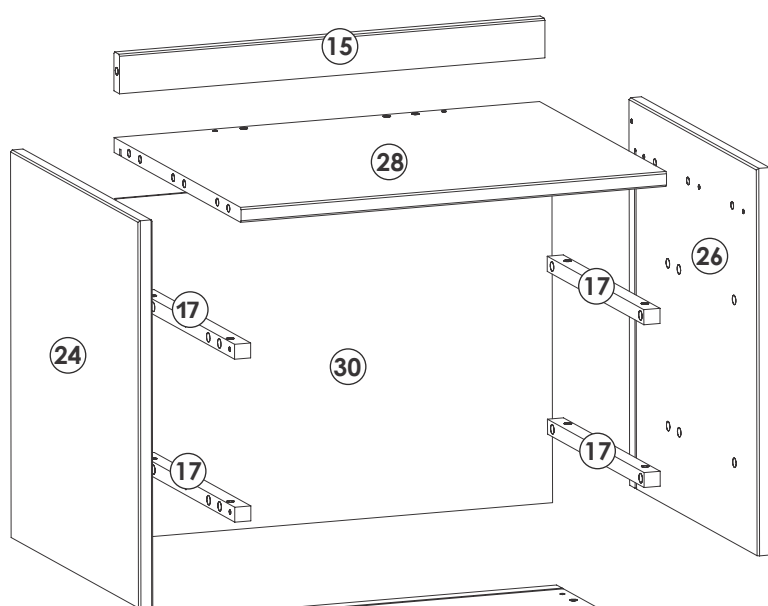


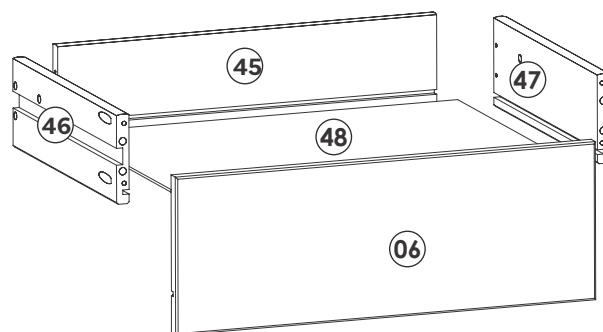
Part List

Part Number	Description	Quantity
06	Drawer Front	02
15	Top Crossbeam	01
17	Drawer Runner	04
24	Left Side Panel	04
26	Right Side Panel	01
28	Top Panel	01
30	Back Panel	01
32	Base Panel	01

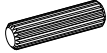








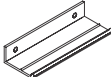
Part Number	Description	Quantity
33	Bottom Side Crossbeam	02
34	Bottom Front Crossbeam	02
36	Leg	04
45	Drawer Back	02
46	Drawer Left side	02
47	Drawer Right side	02
48	Drawer Bottom	02



2x



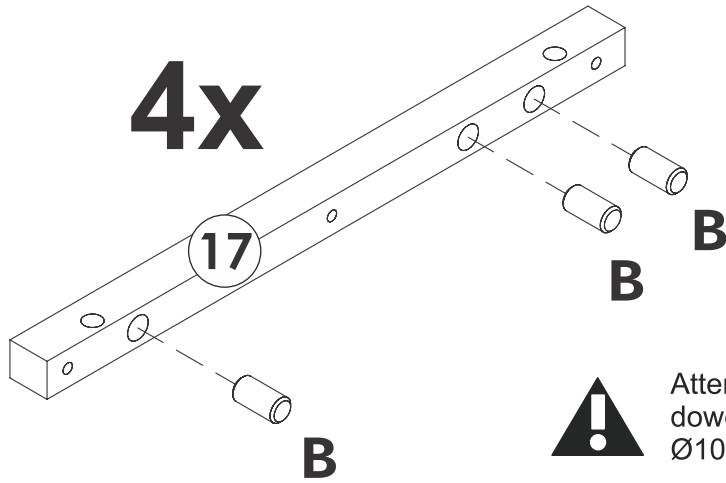
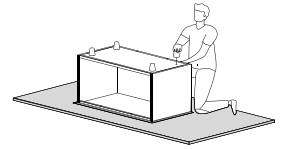
Hardware List

Part	Size	Name	Quantity
A	 8x30mm	Wooden dowel	41
B	 10x20mm	Wooden dowel	12
C	 4,0x40mm	Screw	22
D	 3,0x12mm	Screw	04
E	 15x12mm	Cam lock	08
F	 5x24mm	Cam bolt	08
G	 3,5x30mm	Screw	18
H	 8x40mm	Wooden dowel	04
I	 4,0x25mm	Screw	12
J		Handle	02

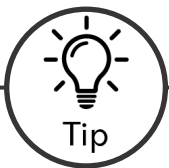
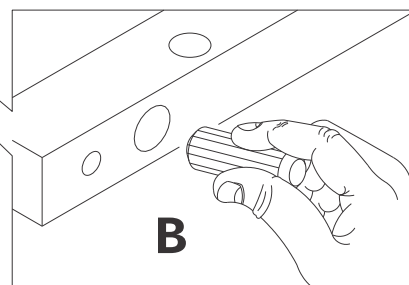
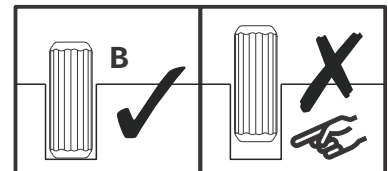
The hardware quantities listed above are required for proper assembly.
Extra hardware pieces may be included.

Step 1

Let's start! Insert Wooden Dowel (B) into the Drawer Runner (17).



Attention to the
dowel size:
Ø10*20mm

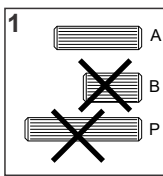


Wood Dowels

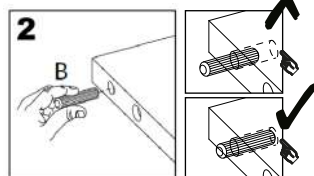
Dowels are essential in furniture assembly
to create strong, precise connections.

They ensure structural integrity, prevent shifting, and simplify alignment,
resulting in sturdier, longer-lasting furniture.

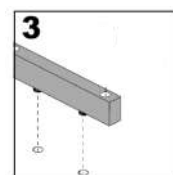
Follow these steps:



1: Select the appropriate size
dowel according with step.



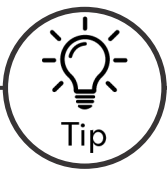
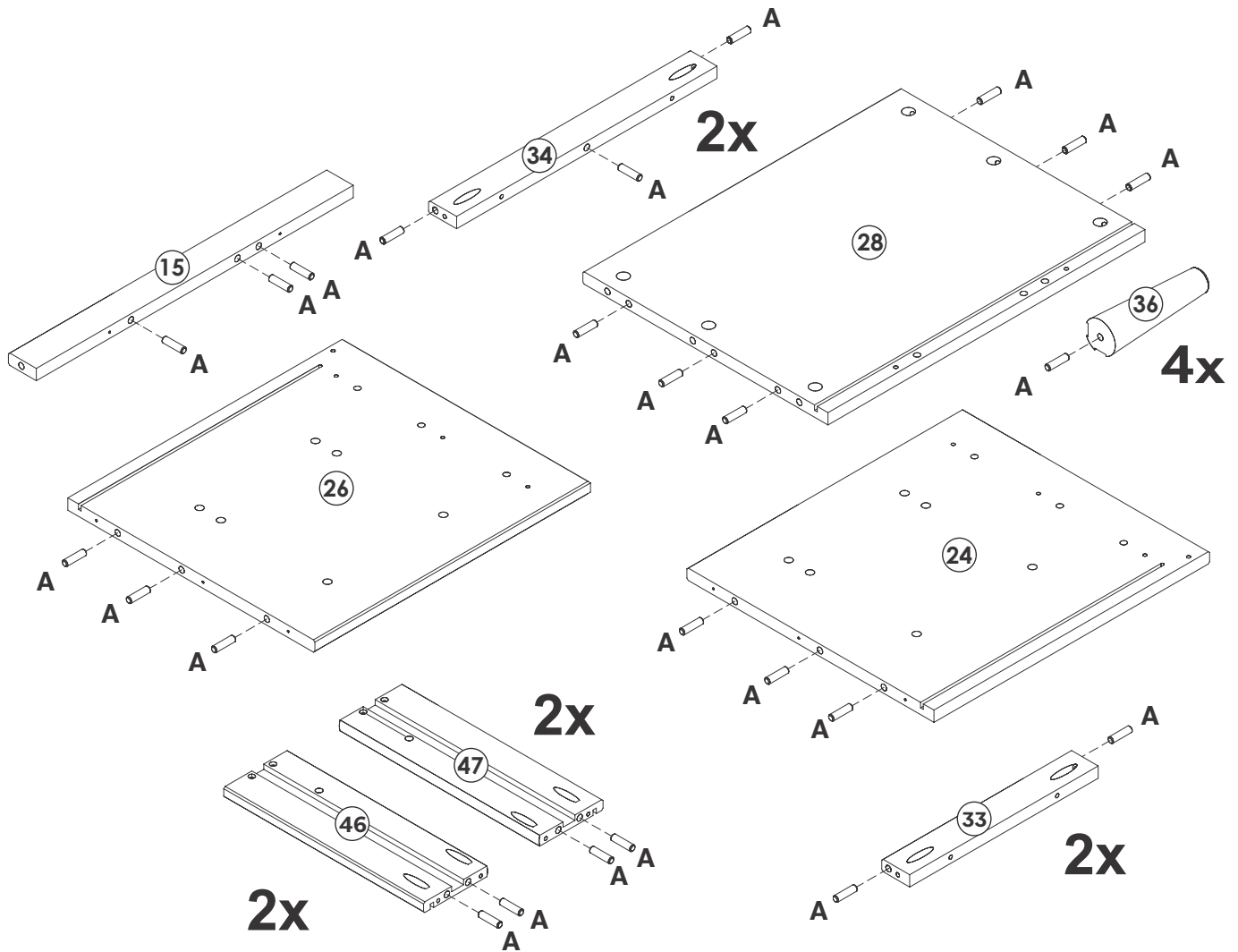
2: Insert into drilled hole and press
firmly to ensure placement is set.



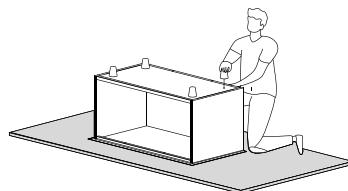
3: Align the dowel with corresponding
piece and press together until secure.

Step 2

Insert Wooden Dowel (A) into the Top Crossbeam (15), Left Side Panel (24), Right Side Panel (26), Top Panel (28), Bottom Side Crossbeam (33), Bottom Front Crossbeam (34), Drawer Left Side (46) and Drawer Right Side (47).

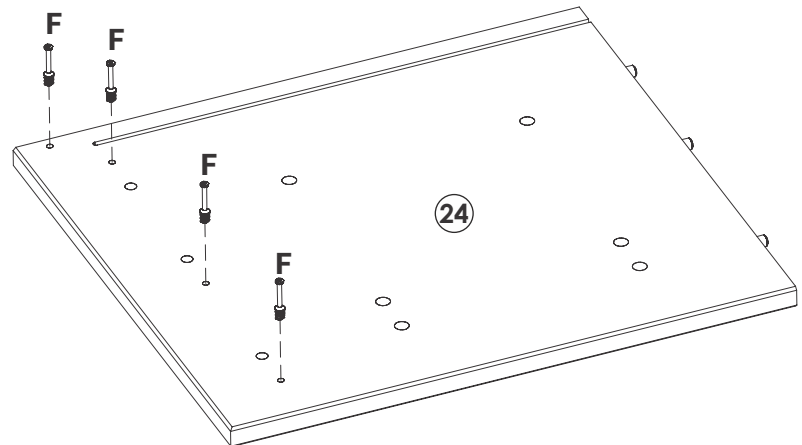
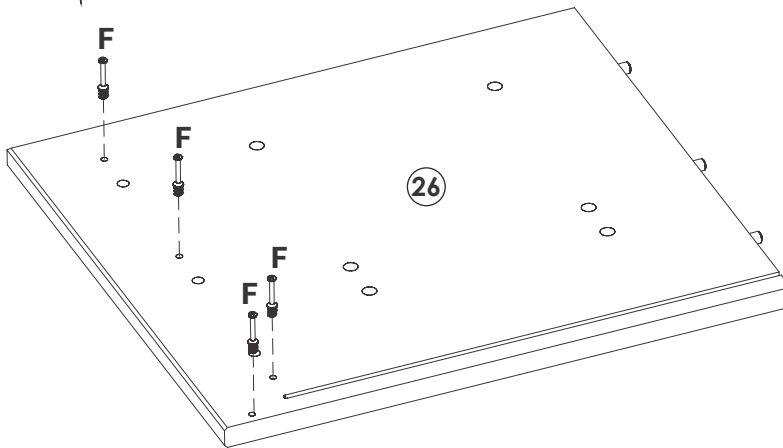
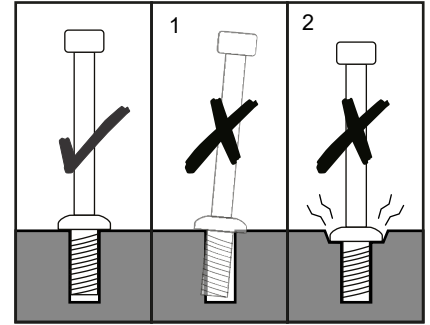
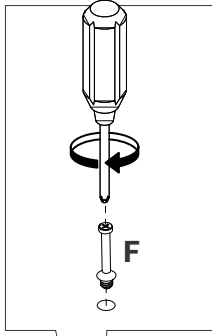
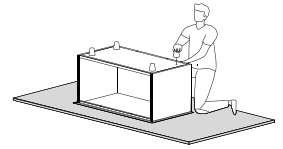


To keep your product looking its best and scratch-free, try assembling it on a soft surface like carpet or a blanket. This helps prevent any accidental scratches and keeps your furniture in top shape!



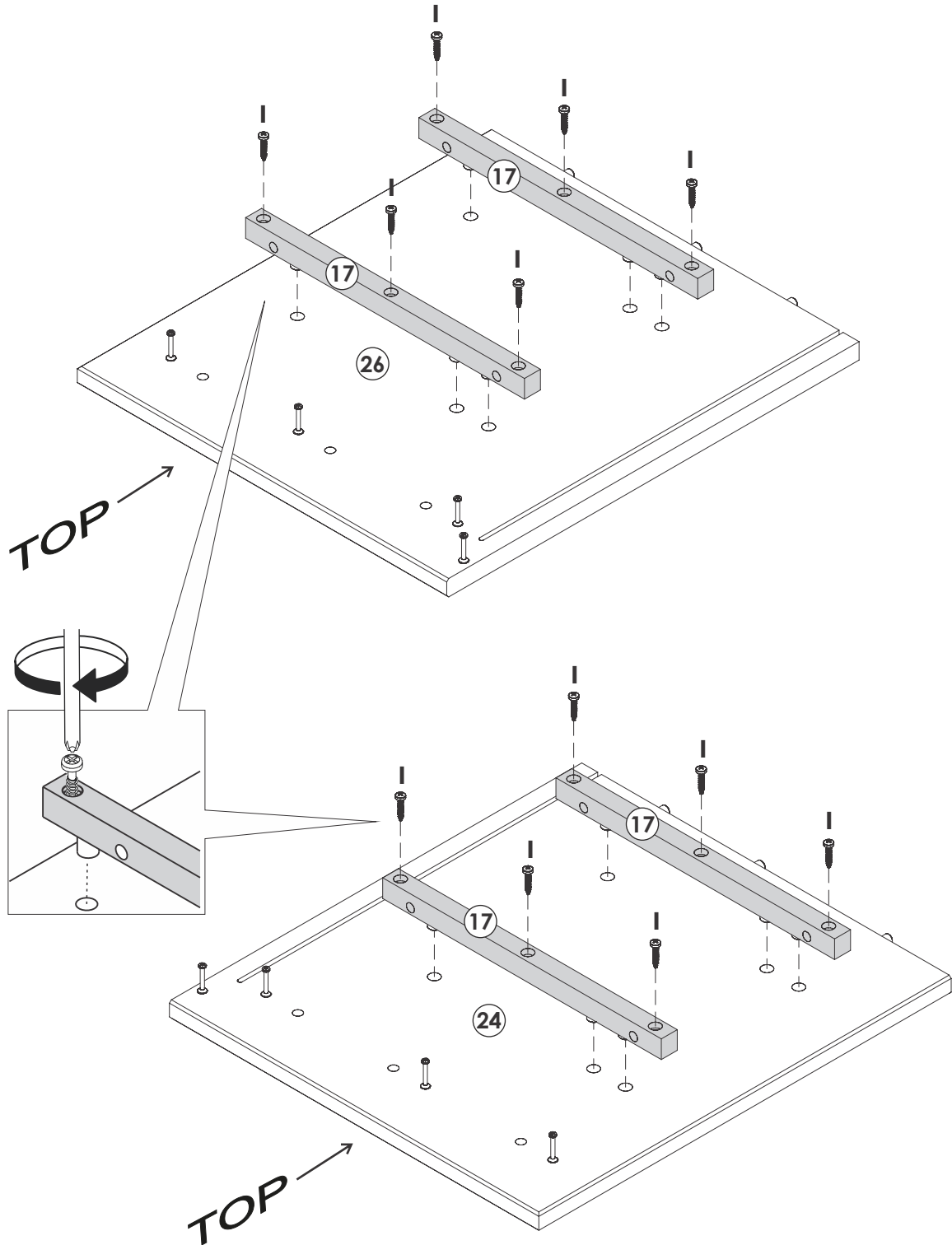
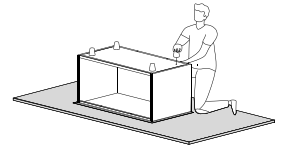
Step 3

Attach Cam Bolt (F) into the holes in Left Side Panel (24) and Right Side Panel (26) with a Phillips head screwdriver.



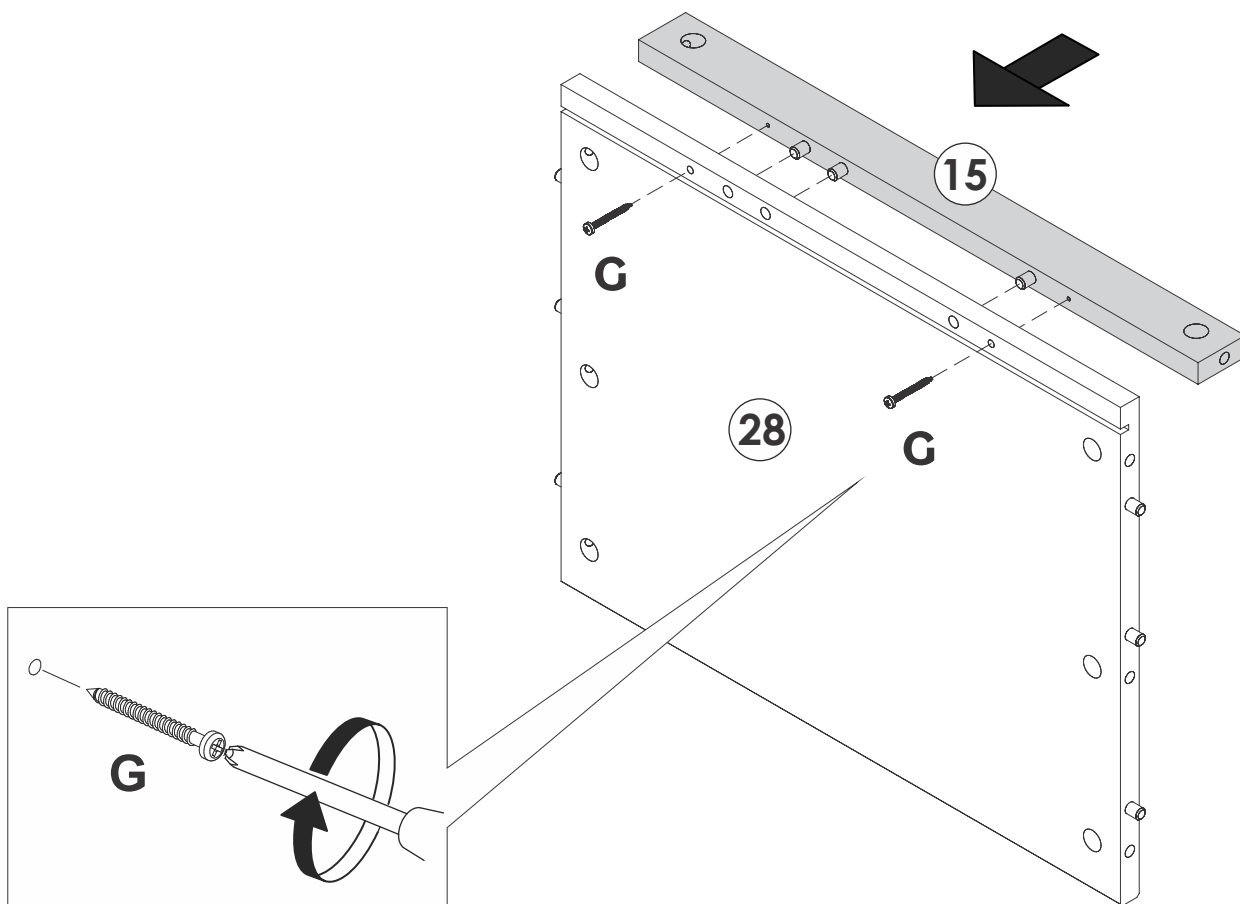
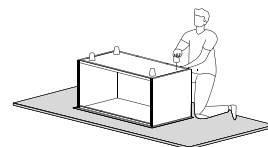
Step 4

Secure the Drawer Runner (17) to Left Side Panel (24) and Right Side Panel (26) with Screw (I) and a Phillips head screwdriver.

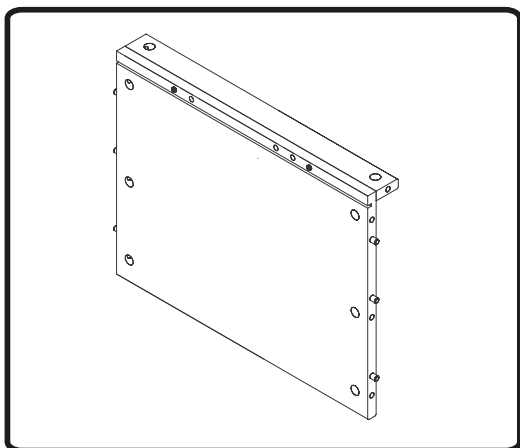


Step 5

Secure Top Panel (28) to Top Crossbeam (15) with Screw (G) and a Phillips head screwdriver.

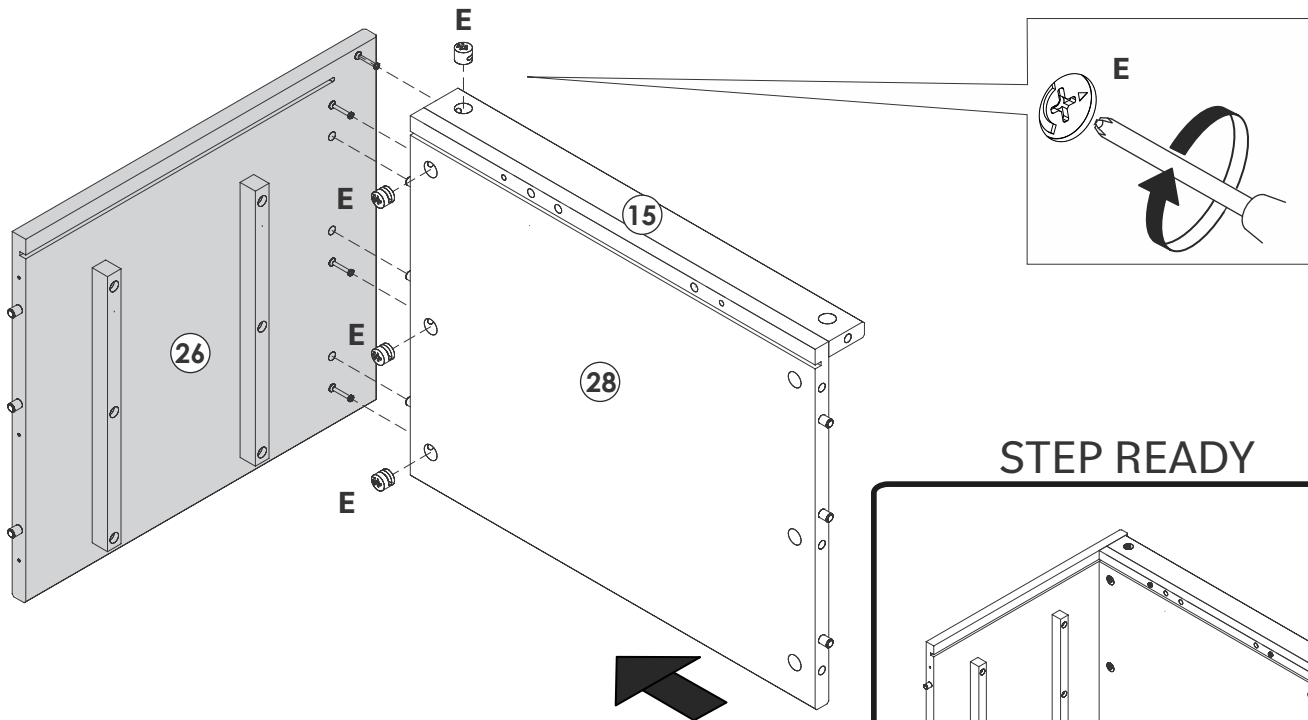
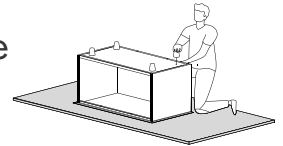


STEP READY

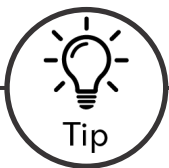
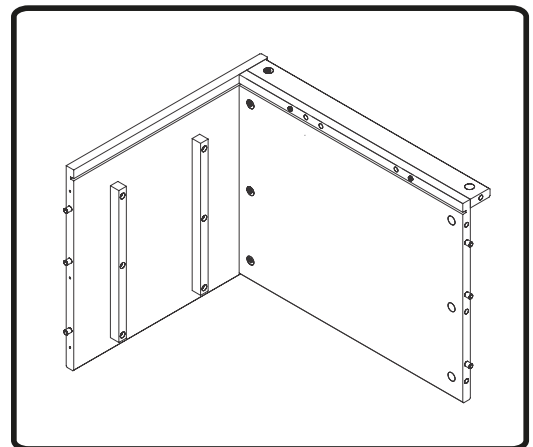


Step 6

Join Top Panel (28) and Top Crossbeam (15) to Right Side Panel (26). Insert Cam lock (E) in Top Panel (28) and Top Crossbeam (15) and attach with a Phillips headscrewdriver.



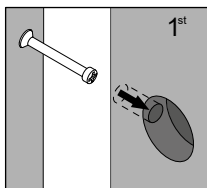
STEP READY



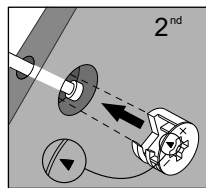
Tip

Cam Locks

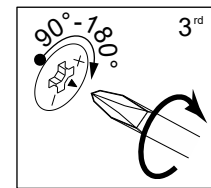
Cam Locks help securely join two pieces together. Follow these easy steps.



1: Insert Cam Bolt into bolt holes on the flat side. Don't over tighten!



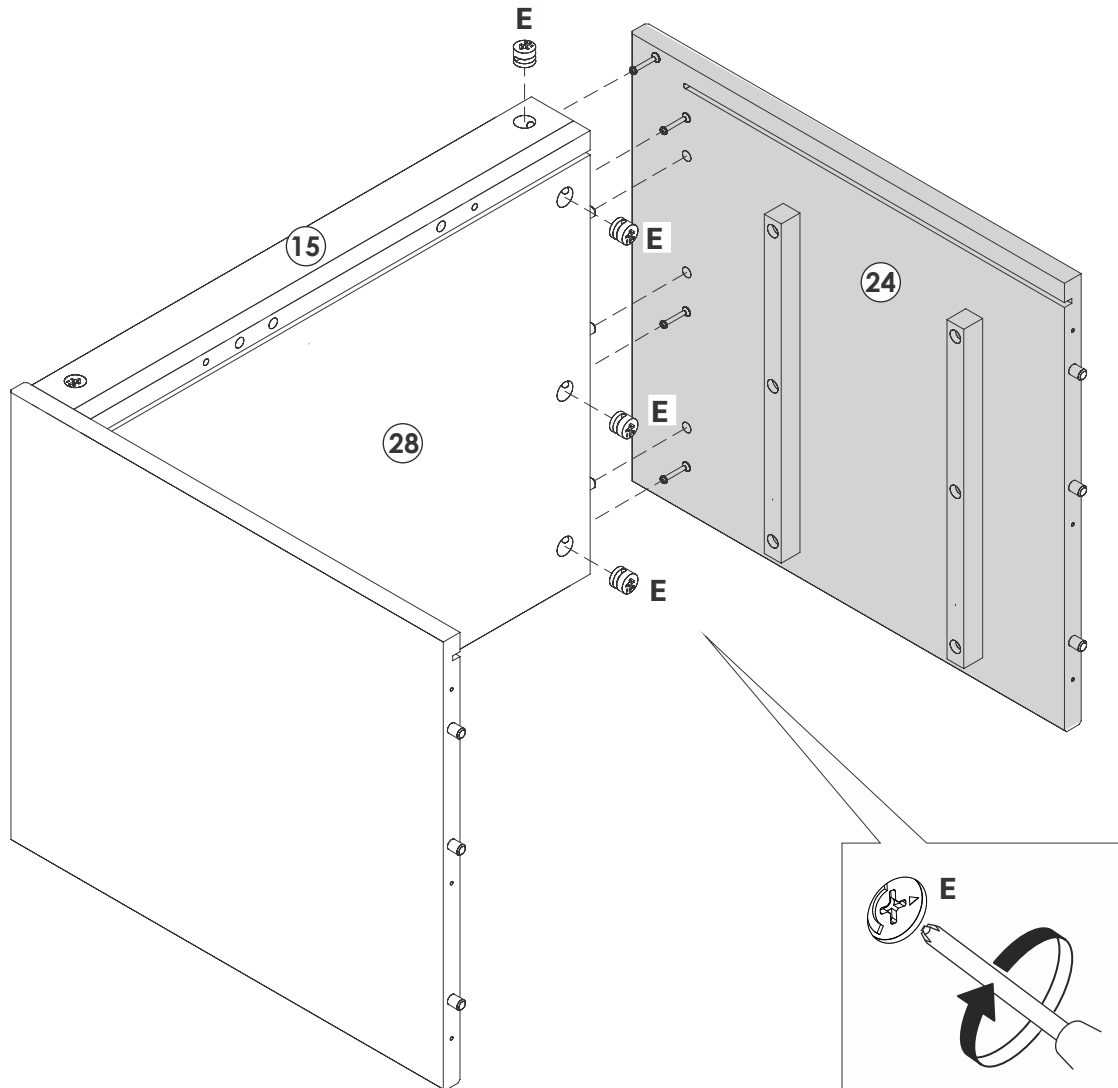
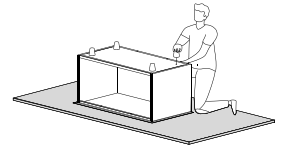
2: Assemble both parts together. The cam bolts goes in the drills holes that have a circular hole on the side, you should be able to see the cam bolt through it. After fitting parts together insert the cam lock on the side holes.



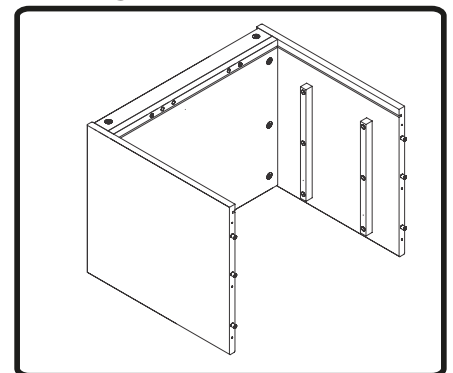
3: On the back of the Cam Lock will be a 'C' shape. Insert the Cam Lock so the opening of the 'C' fits over the Cam Bolt. Tighten with the screwdriver.

Step 7

Attach Left Side Panel (24) to Top Panel (28) and Top Crossbeam (15) using Cam lock (E) and a Phillips head screwdriver.

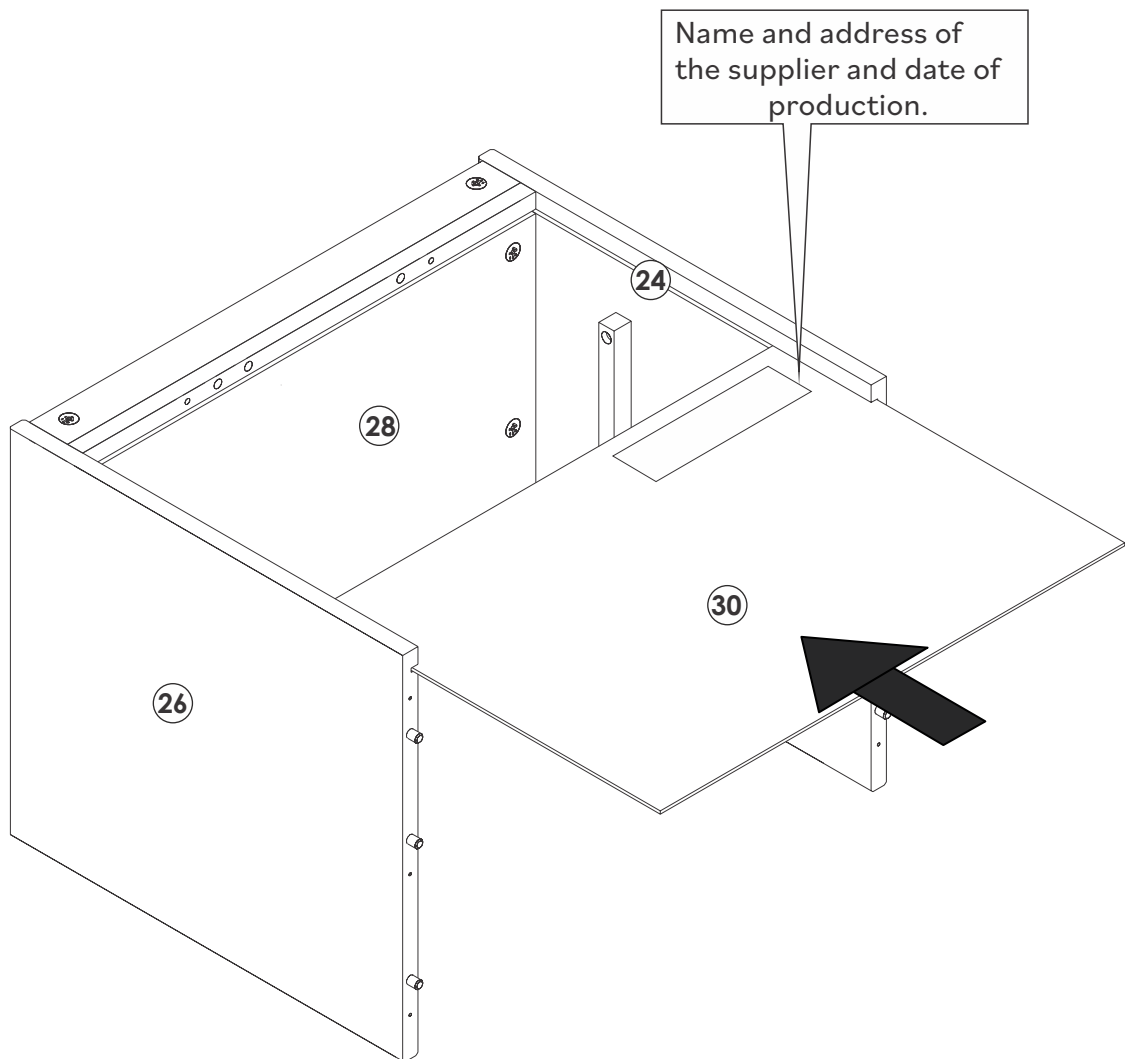
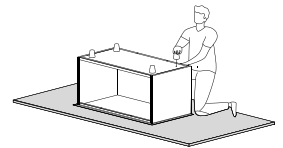


STEP READY

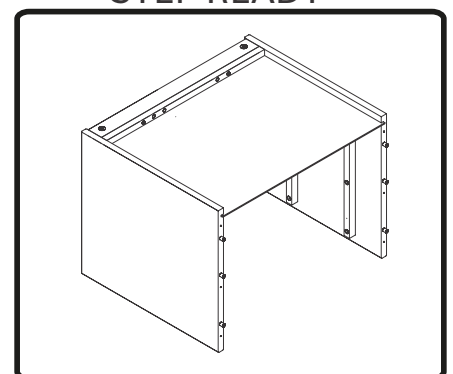


Step 8

Insert Back Panel (30) into the grooves on Left Side Panel (24) and Right Side Panel (26) fitting in Top Panel (28).

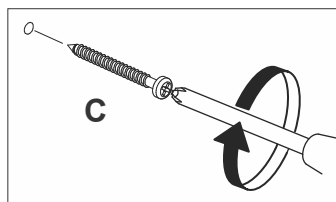
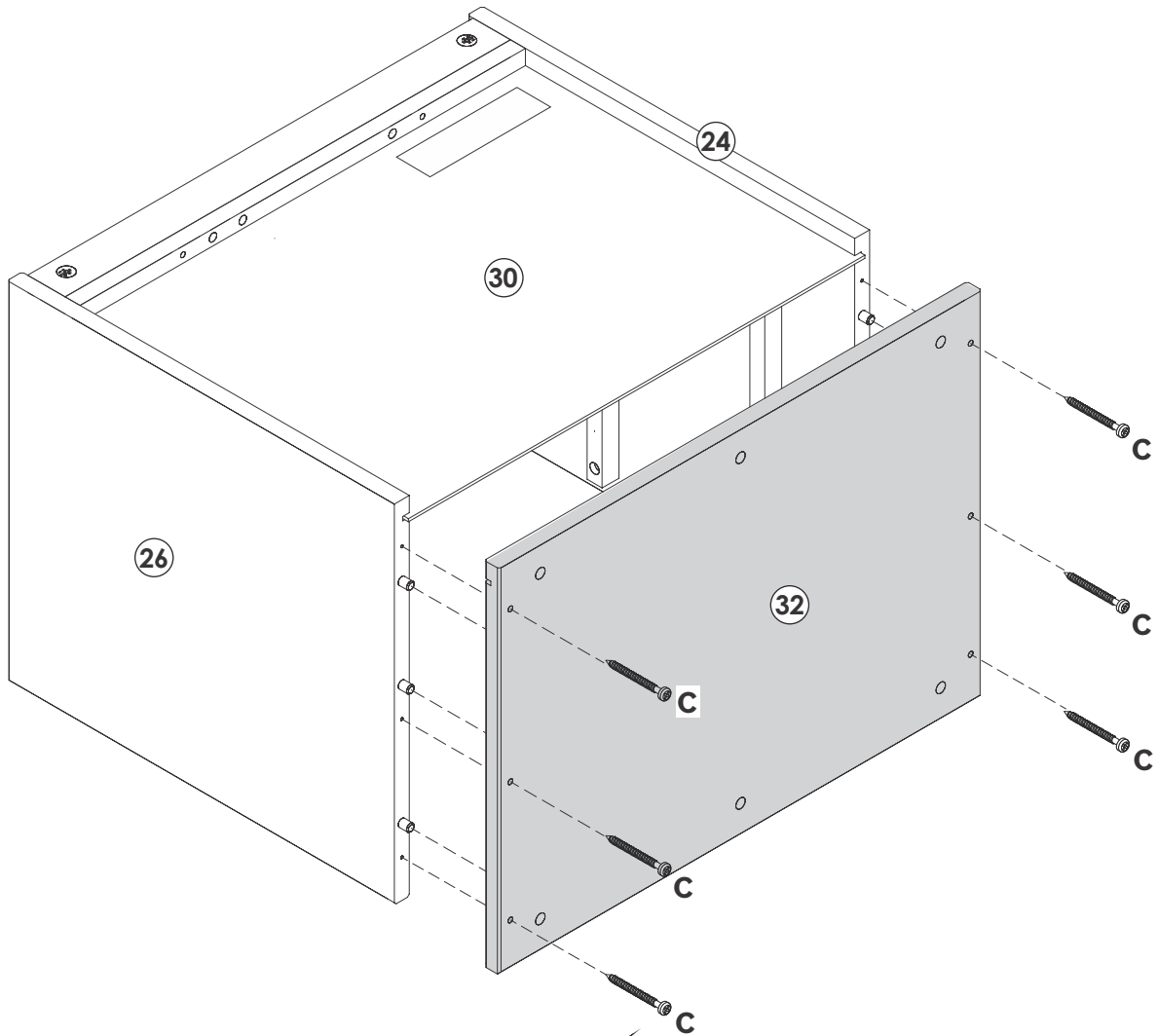
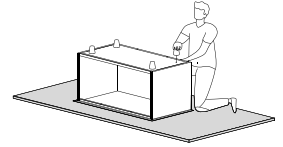


STEP READY

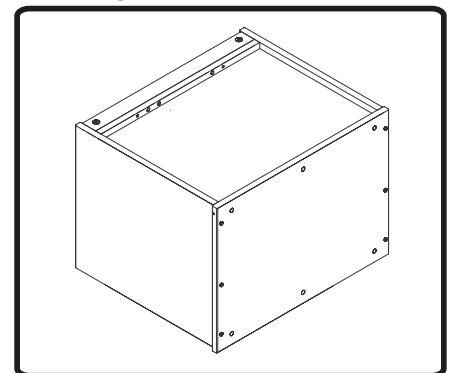


Step 9

Secure Base Panel (32) to Left Side Panel (24) and Right Side Panel (26) with Screw (C) and a Phillips head screwdriver.

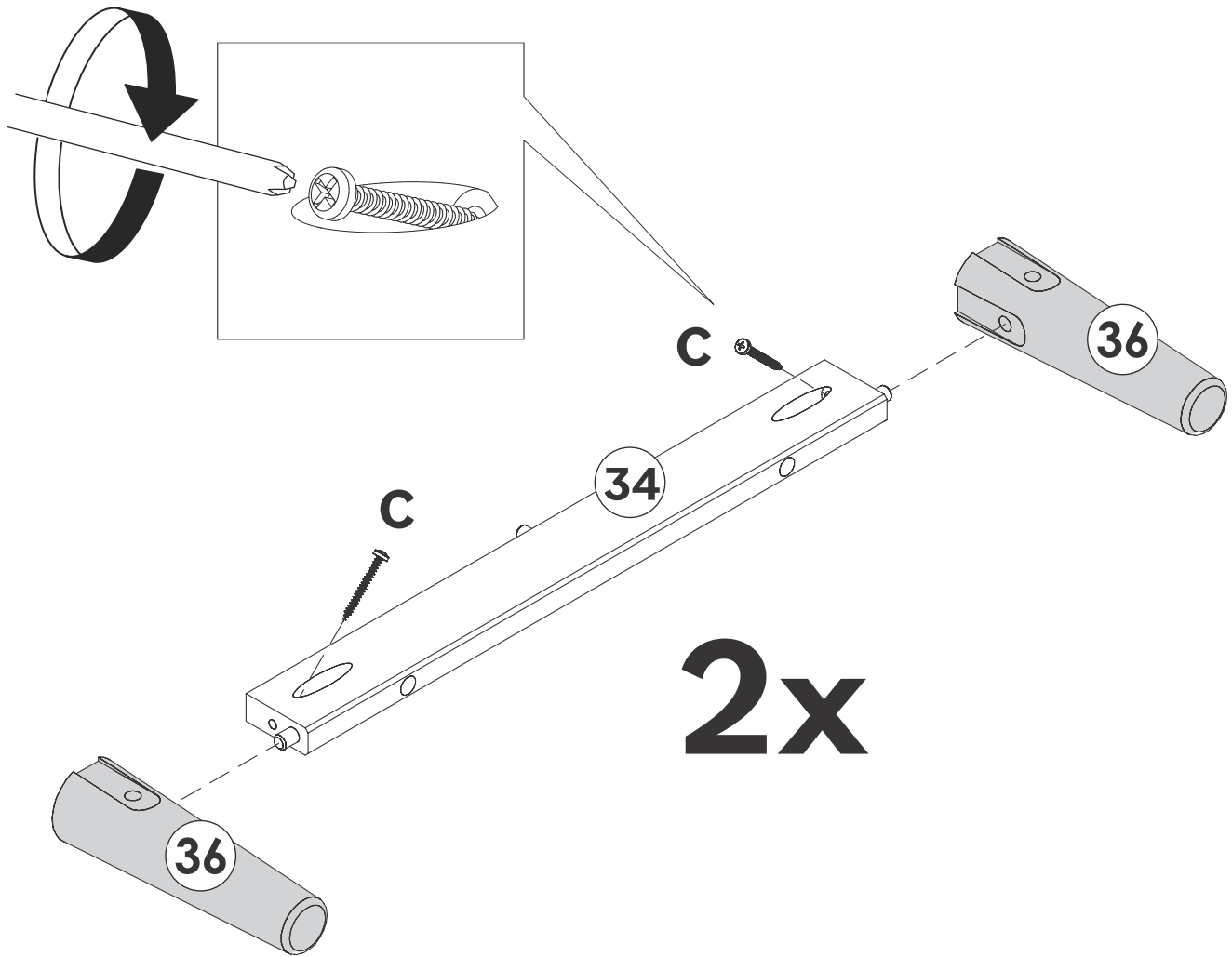
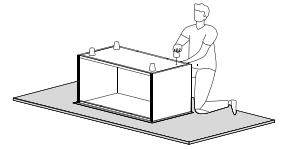


STEP READY

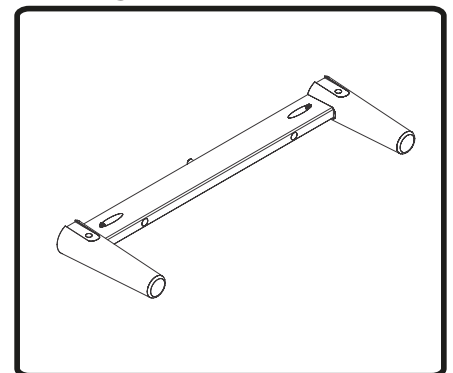


Step 10

Secure Bottom Front Crossbeam (34) to Leg (36) with Screw (C) and a Phillips head screwdriver.

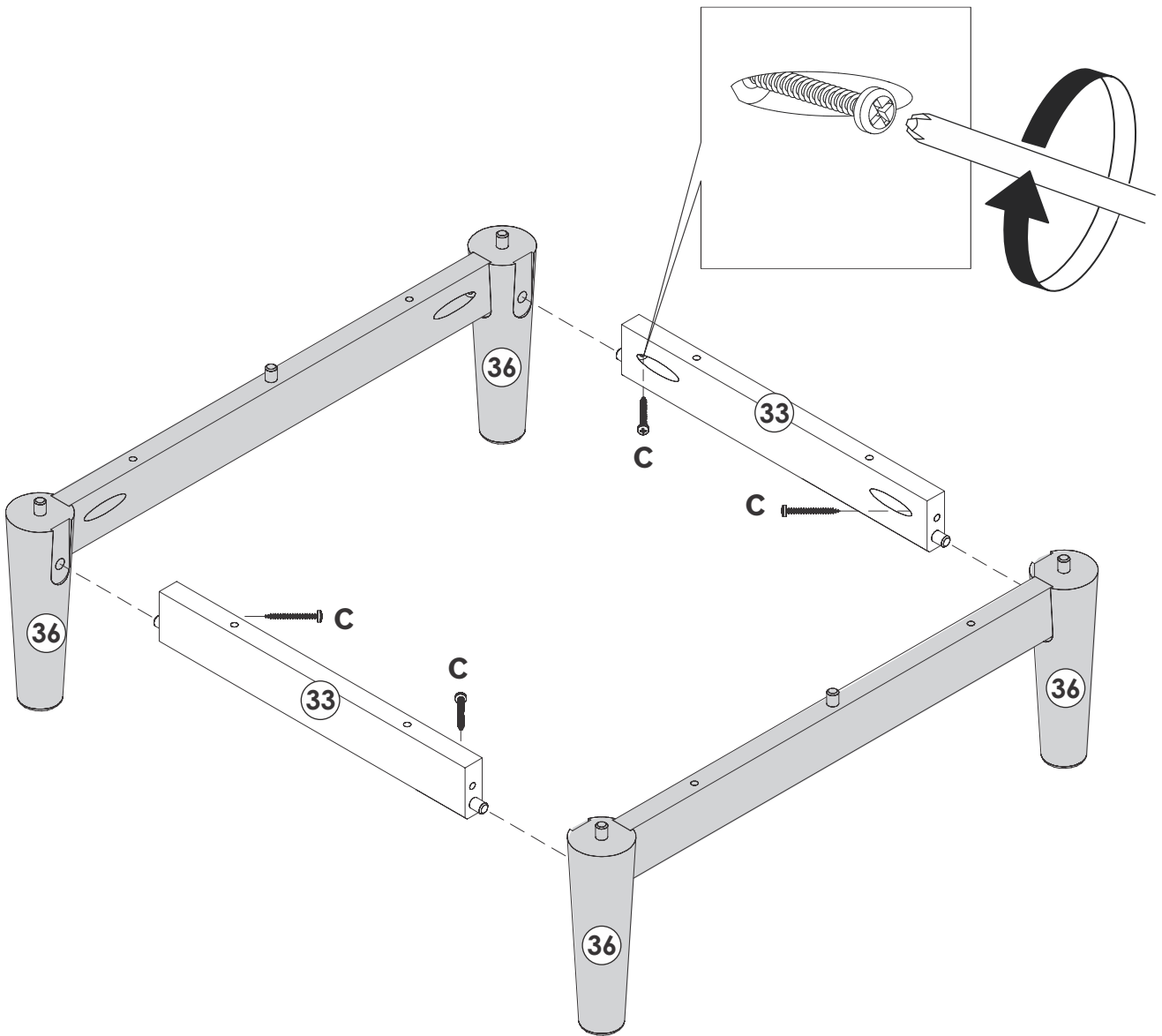
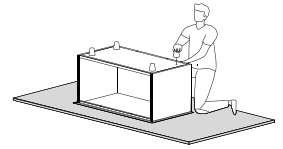


STEP READY

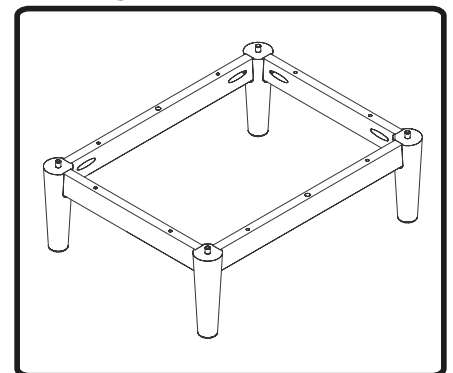


Step 11

Secure Bottom Side Crossbeam (33) to Leg (36) with Screw (C) and a Phillips head screwdriver.

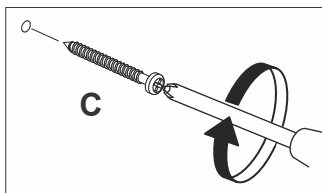
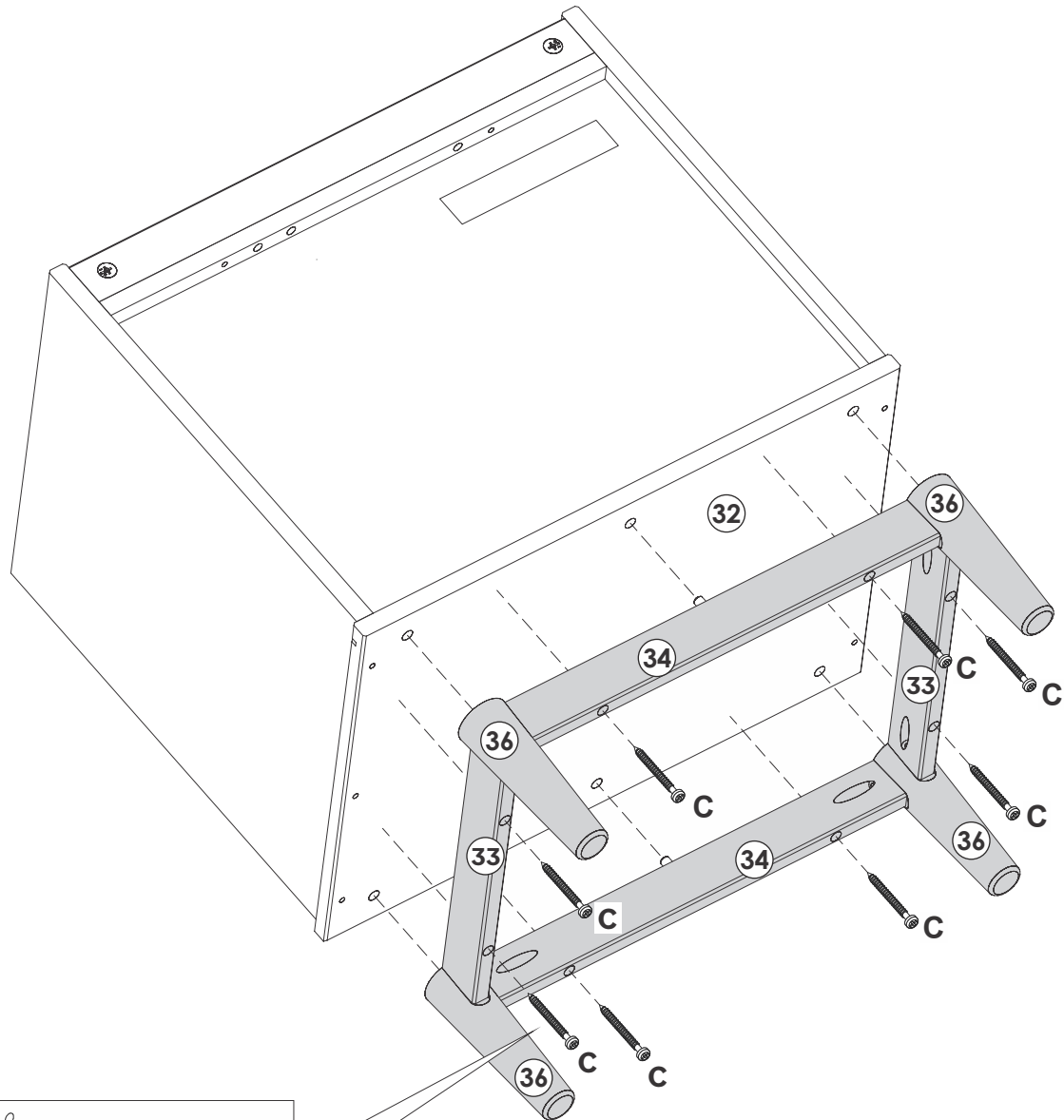
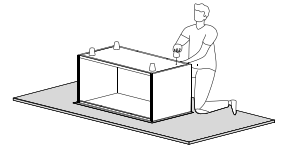


STEP READY

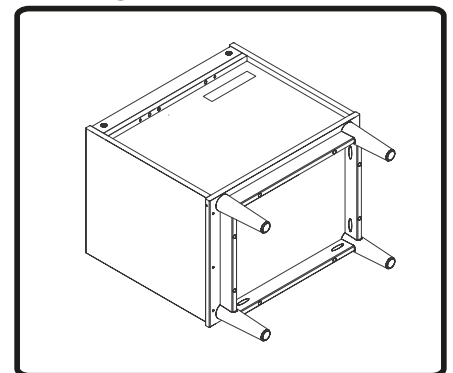


Step 12

Secure the Bottom Side Crossbeam (33) and the Bottom Front Crossbeam (34) to Base Panel (32) with Screw (C) and a Phillips head screwdriver.

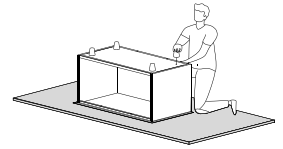


STEP READY

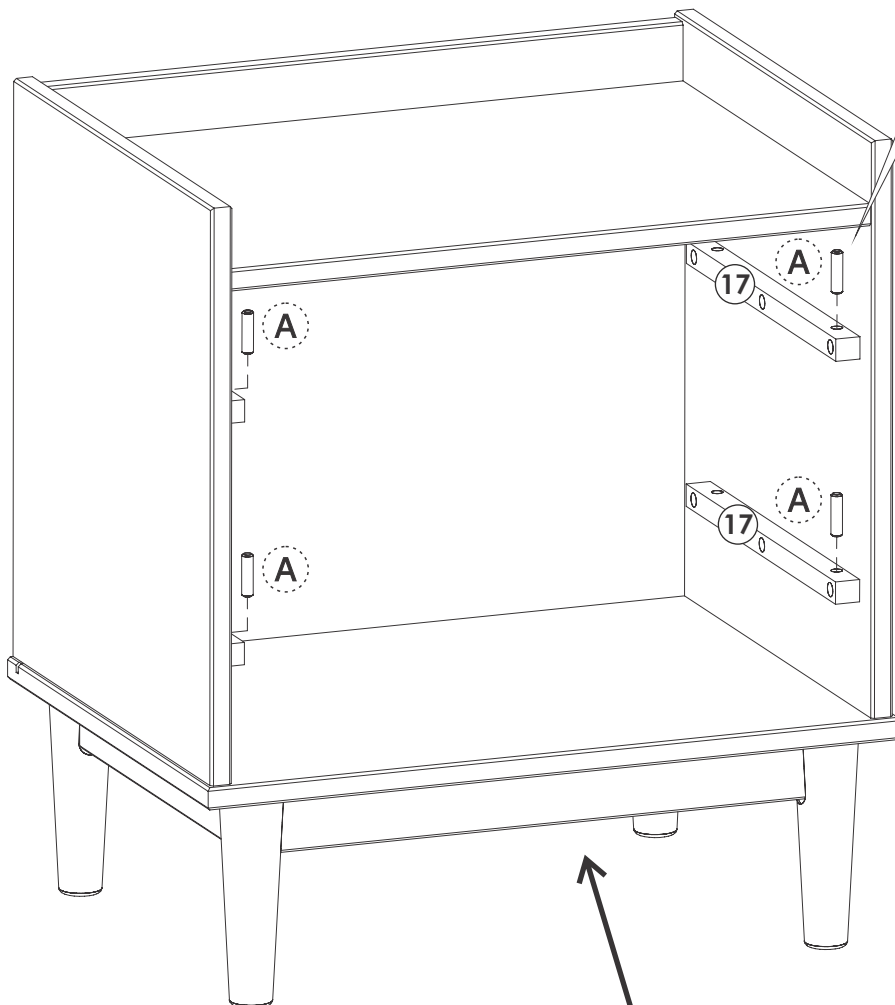
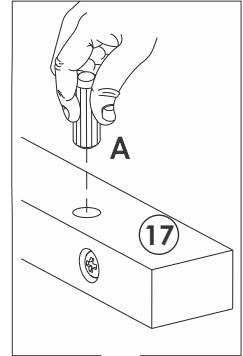
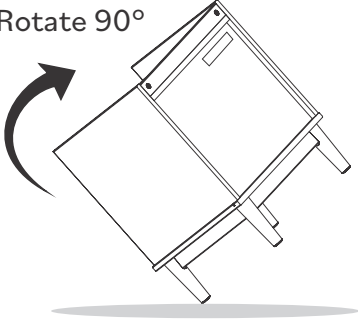


Step 13

Insert Wooden Dowel (A) into the front hole in the Drawer Runner (17).



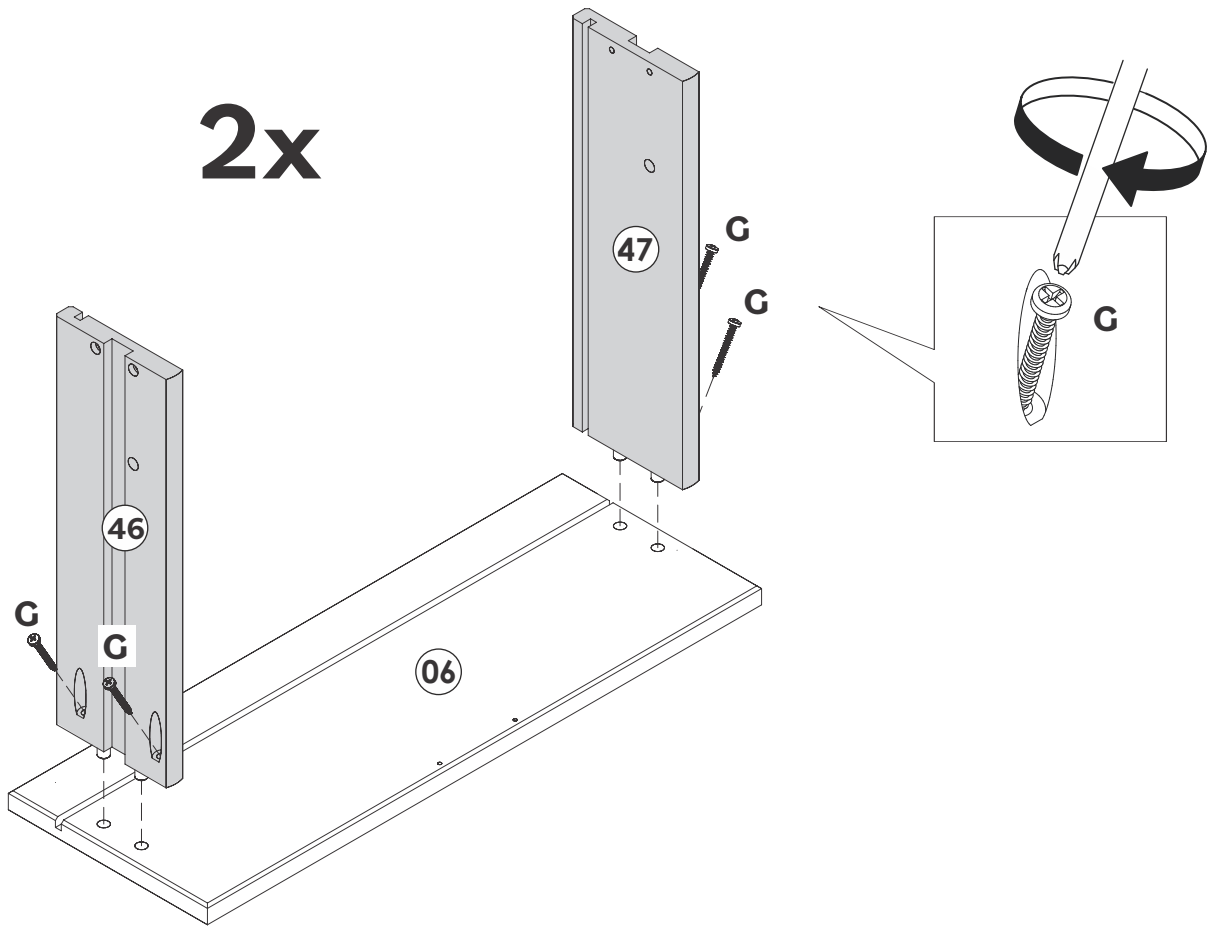
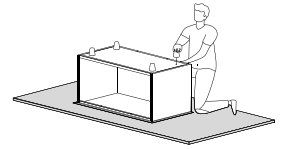
Rotate 90°



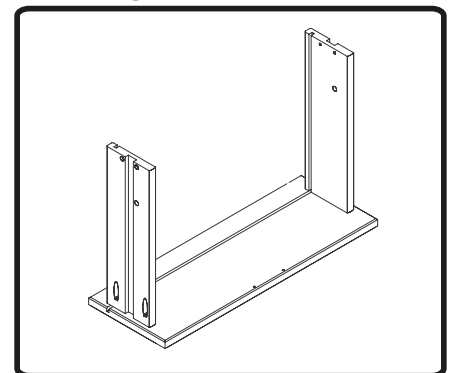
FRONT

Step 14

Secure Drawer Left Side (46) and Drawer Right Side (47) to the Drawer Front (06) with Screw (G) and a Phillips head screwdriver.

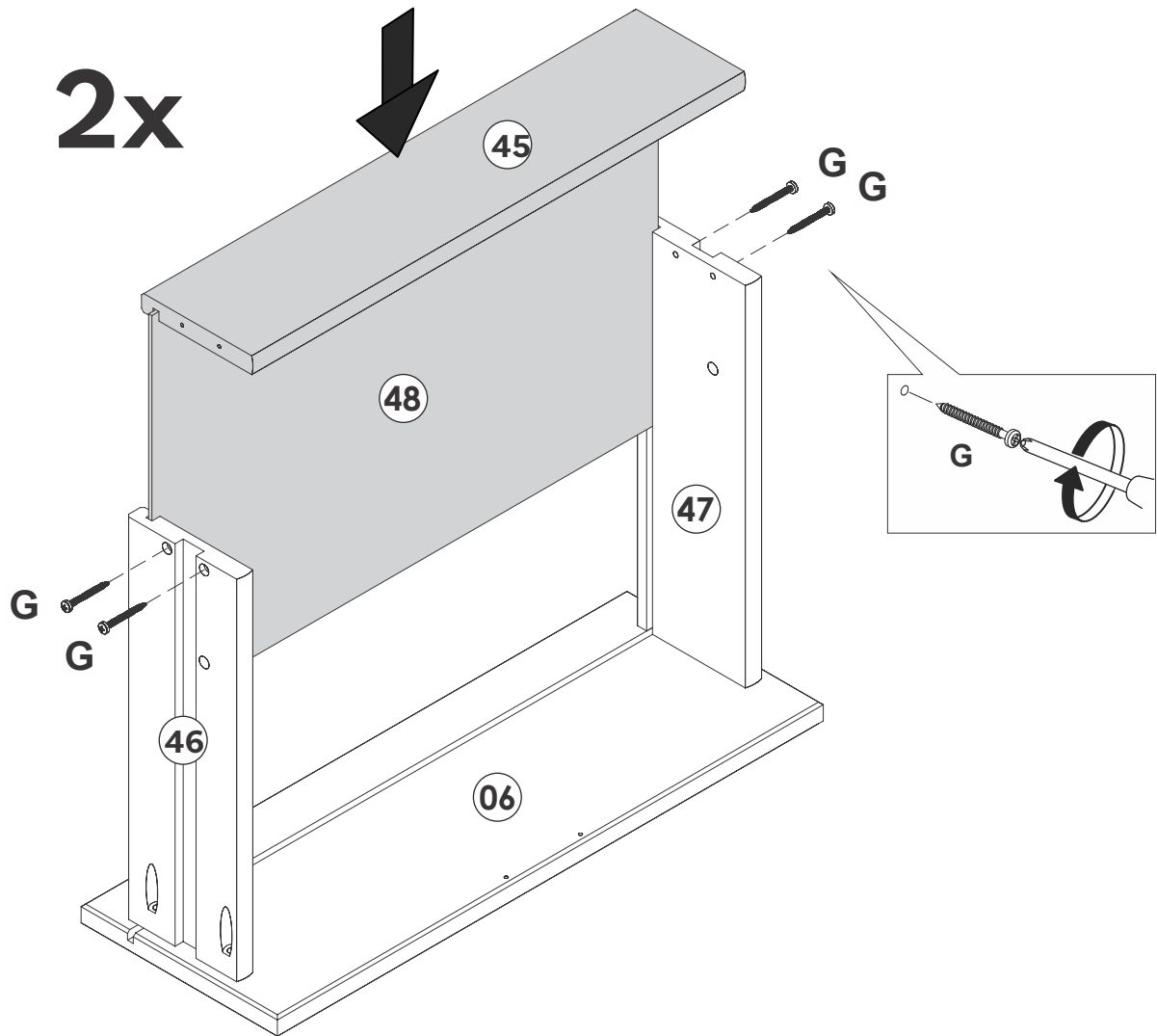
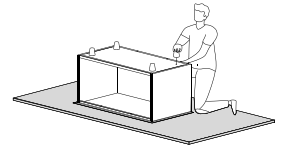


STEP READY

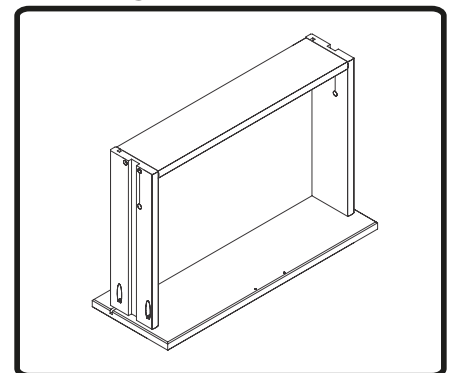


Step 15

Slide Drawer Bottom (48) into the grooves on Left Drawer Side (46) and Right Drawer Side (47), and secure Drawer Back (45) with Screw (G) and a Phillips head screwdriver.

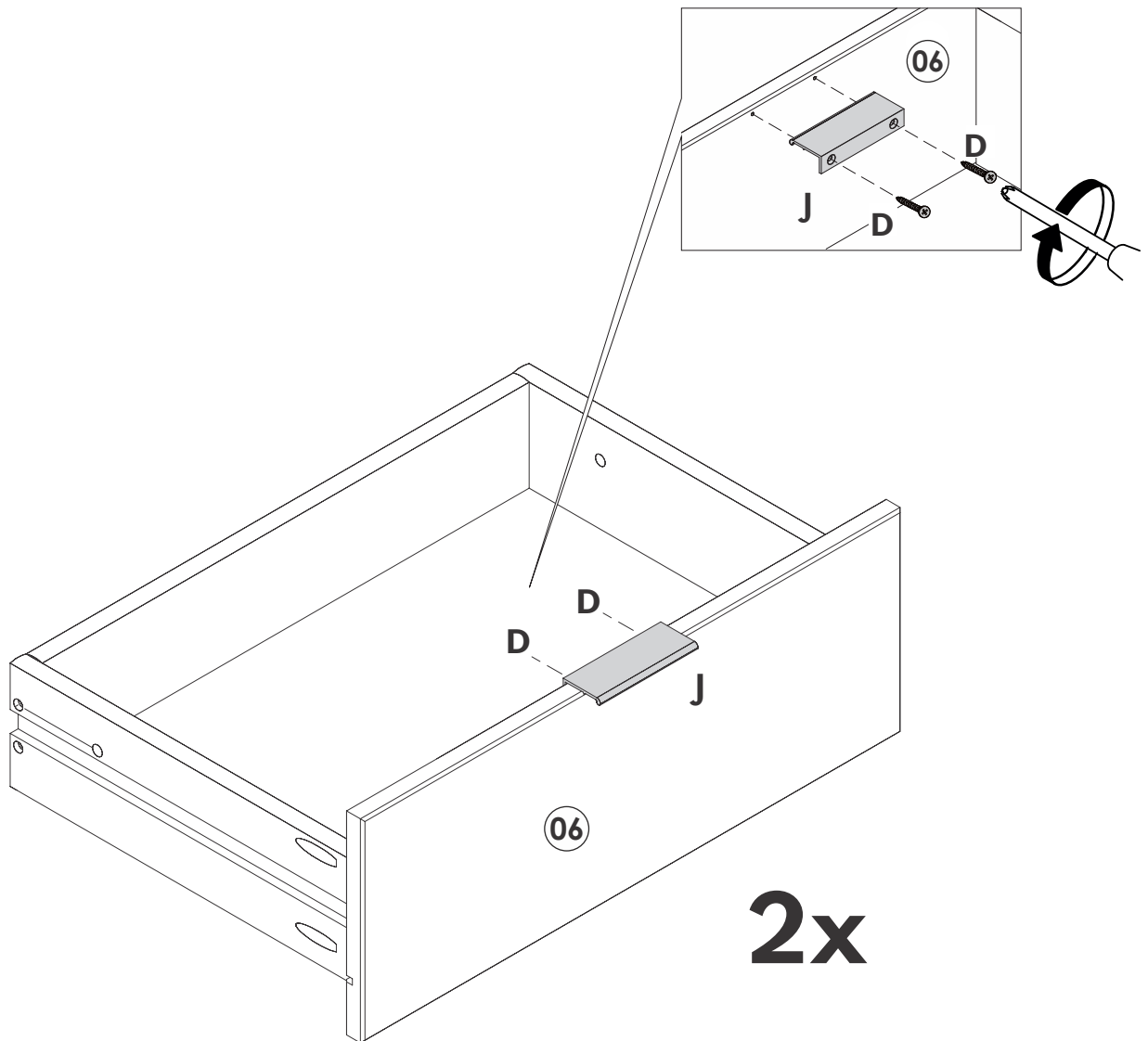
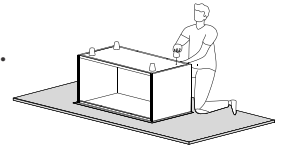


STEP READY



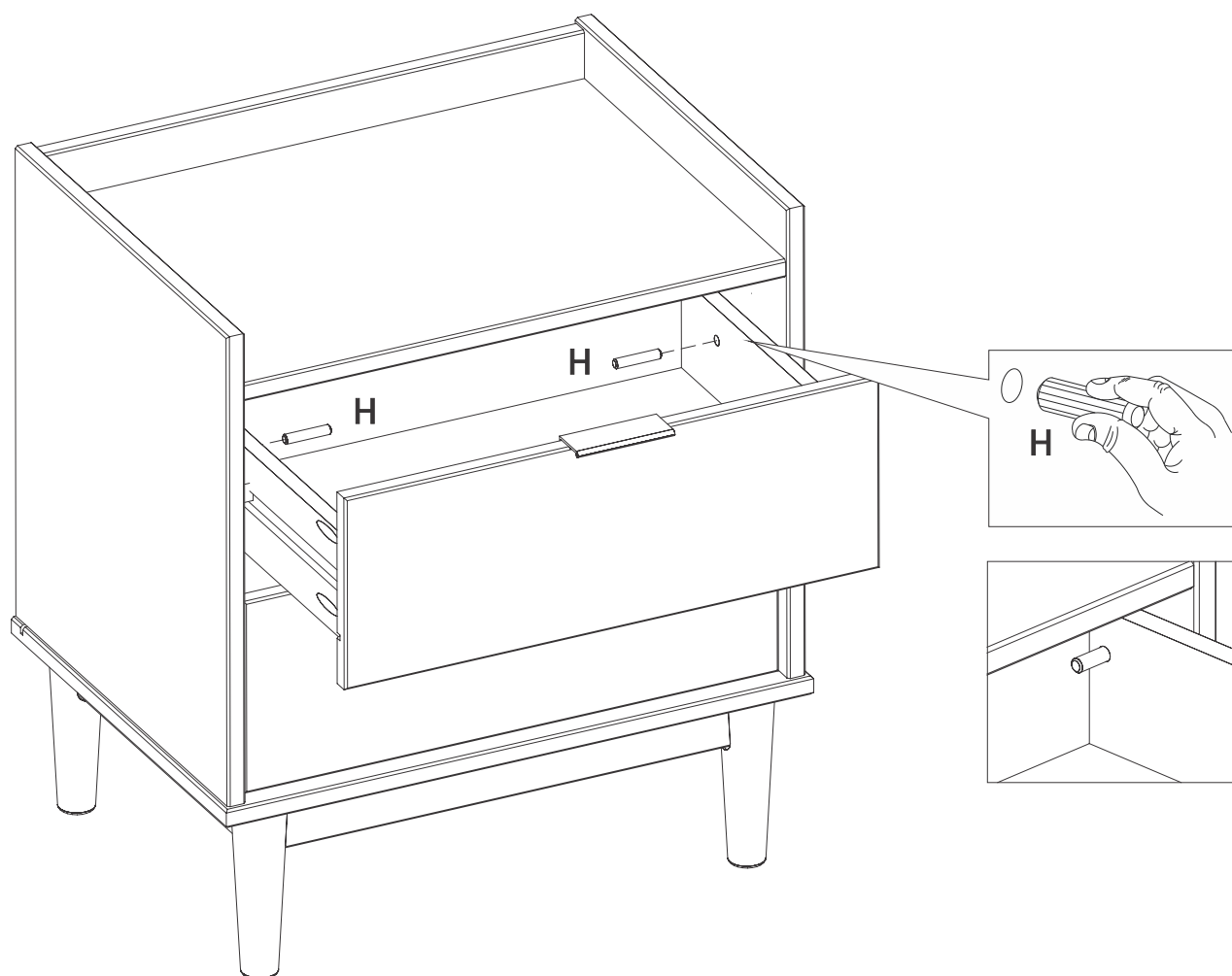
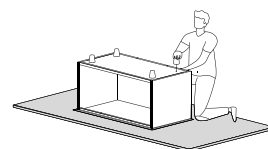
Step 16

Attach Handle (J) with Screw (D) and a Phillips head screwdriver.



Step 17

One at a time, place each drawer inside the unit, ensuring that you have passed the wooden dowel that is on the drawer slide. Then, insert Wooden Dowels (H) into place inside the drawers. Please note: Do not push the dowel all the way in. It will slightly stick out into the drawer so you are able to remove it if needed.



You did it! Enjoy your new nightstand!

