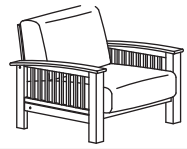


Chair Assembly Instructions

Your chair comes packaged in one box.

DO NOT use any sharp objects to open plastic wrapped components as damage to product or components may result.

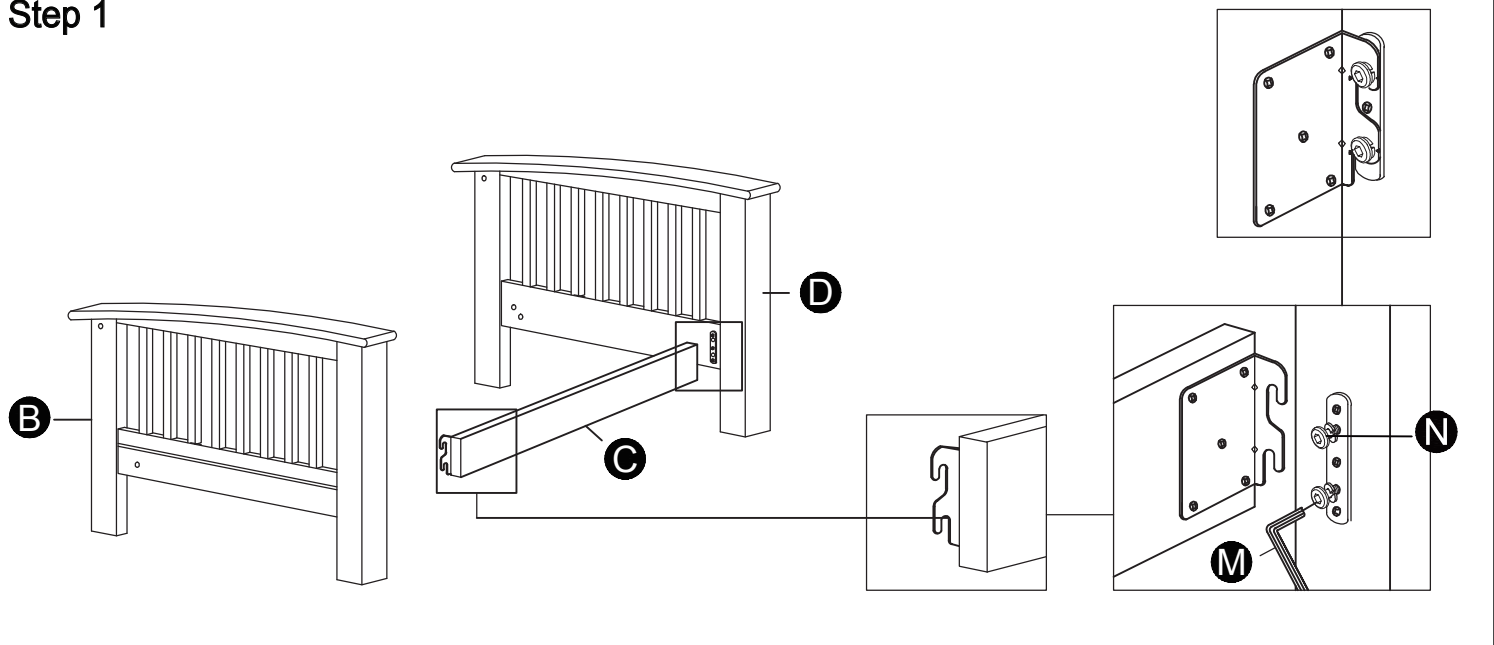
Carefully remove all of the components from the packaging and set aside for assembly. Assemble on a soft surface to prevent scratching the finish.



Parts List		Hardware List	
A 1 x Back Cushion		F 1 x Seat Frame	
B 1 x Left Arm		G 1 x Seat Cushion	
C 1 x Front Rail		Hardware List	
D 1 x Right Arm		* H 4 x Wood Buttons	
E 1 x Back Frame		* I 2 x Wood Dowels	 M8 x 30mm
		* J 4 x Bolts	 M6 x 50mm
		* K 4 x Screws	 M4 x 25mm
		* L 1 x Long Hex Key	 M4 x 100mm
		* M 1 x Short Hex Key	 M5 x 70mm
		* N 4 x Bolts (pre-installed)	 M8 x 18mm
		Not included 1 x Philips Screwdriver or Power Screwdriver (low torque)	
		* Replaceable Parts	

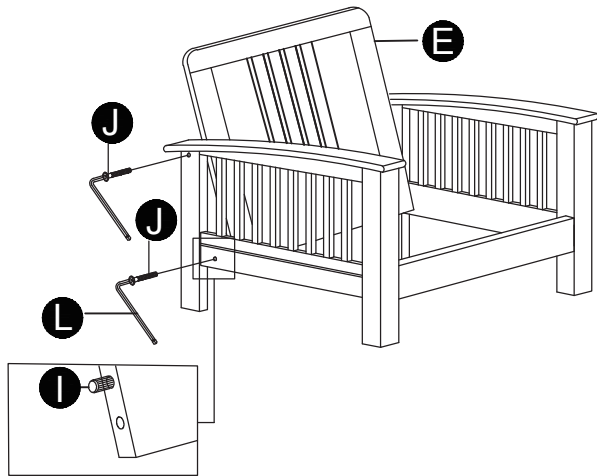
Assembly

Step 1

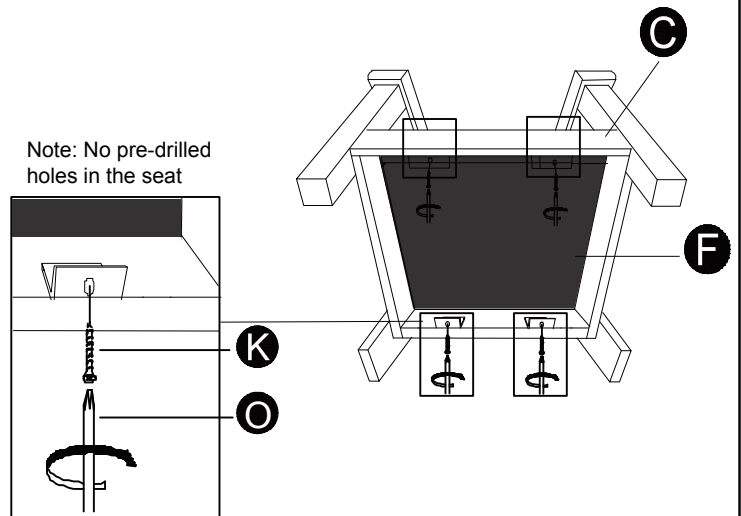


Assembly

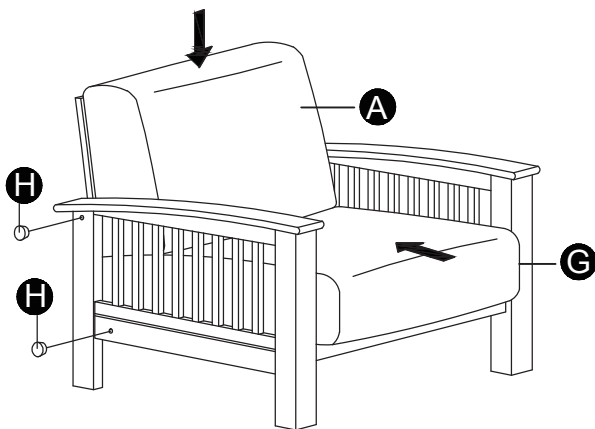
Step 2



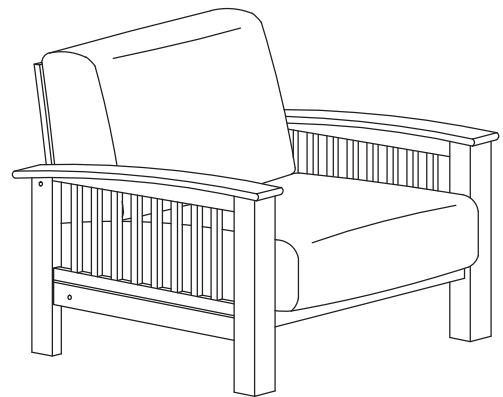
Step 3



Step 4



Step 5



Your chair style may differ from images. Care for your furniture by periodically tightening all bolts using the included hex key.

CAUTION:

About your furniture piece:

- Softening of foam is natural and will happen over time with use.
- Fabric will fade or discolor in direct sunlight. Minimize exposure to direct sunlight to extend the life of your furniture.
- Wood grain, knots, streaks, and color variation occur naturally in wood and are not considered defects.