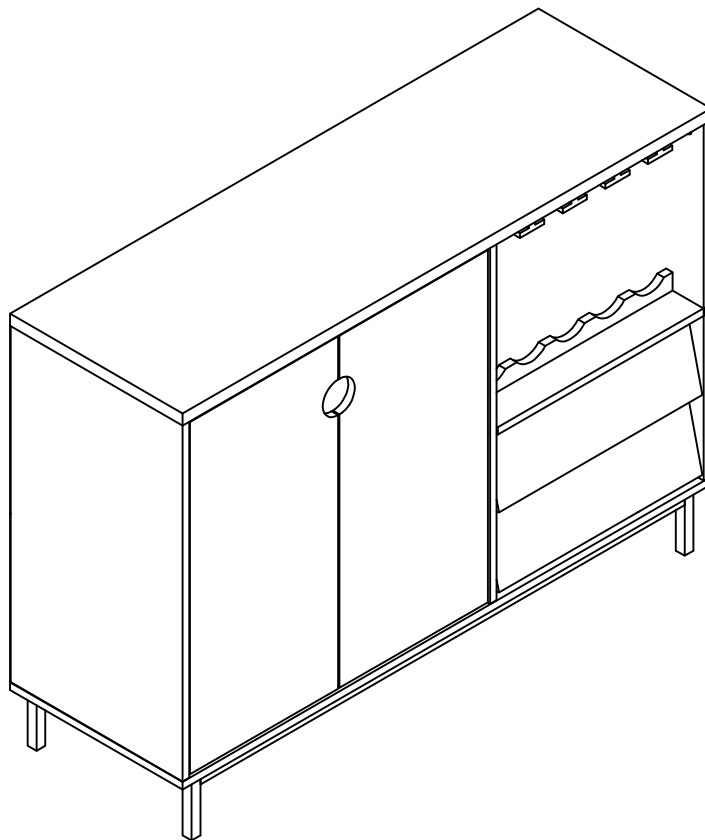


ASSEMBLY INSTRUCTION

ITEM#:213037



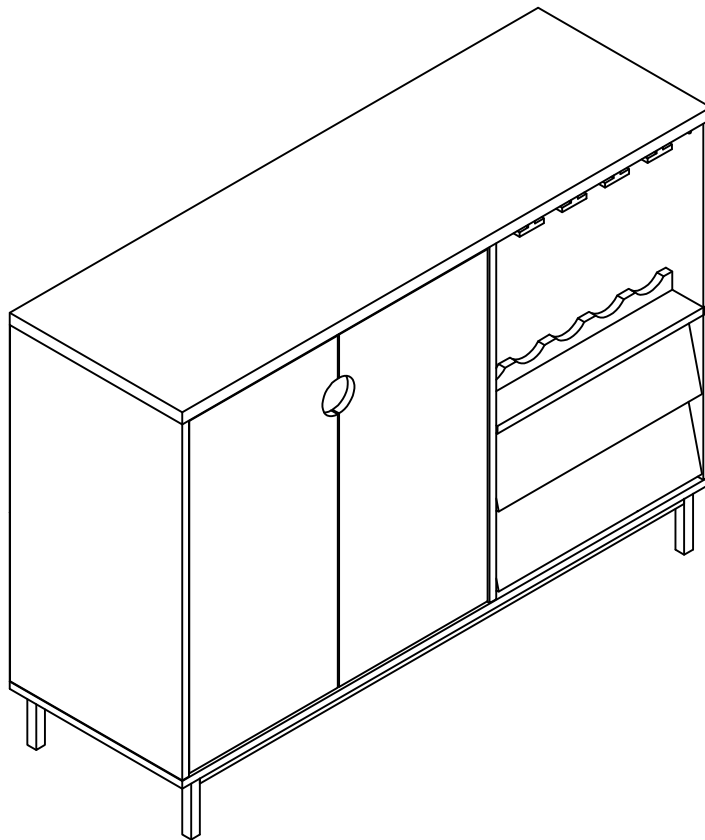
ASSEMBLY INSTRUCTION

PLEASE READ BEFORE ASSEMBLING!

Tip #1: Make sure you've taken all the pieces and hardware out of its packaging before discarding the box.

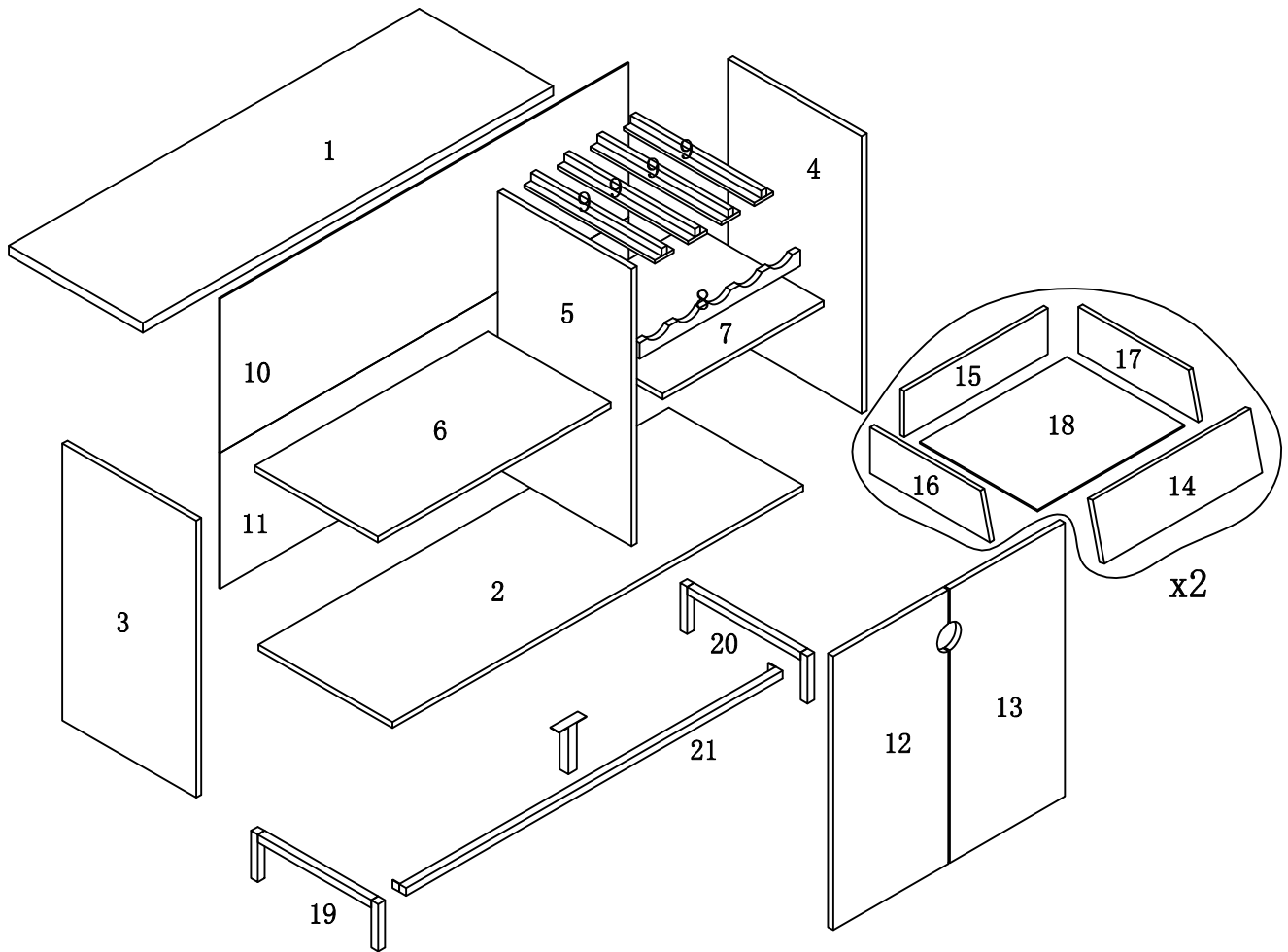
Tip #2: Using page 2 and/or page 3 of instruction manual make sure all pieces and hardware are accounted for.

ITEM#:213037



PARTS IDENTIFICATION






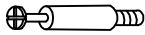





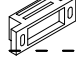

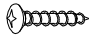
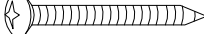



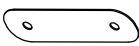


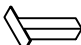


ITEM#:213037



(1)	1pc	(8)	1pc	(15)	2pcs
(2)	3pcs	(9)	4pcs	(16)	2pcs
(3)	1pc	(10)	1pc	(17)	2pcs
(4)	1pc	(11)	1pc	(18)	2pcs
(5)	1pc	(12)	1pc	(19)	1pc
(6)	1pc	(13)	1pc	(20)	1pc
(7)	1pc	(14)	2pcs	(21)	1pc

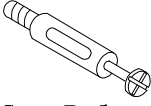

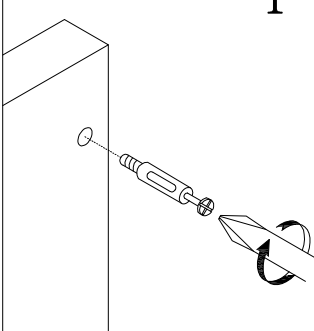
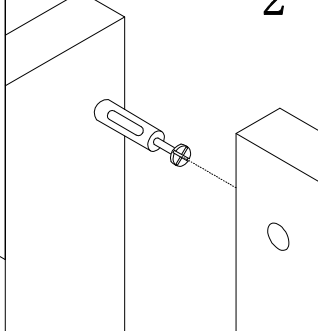
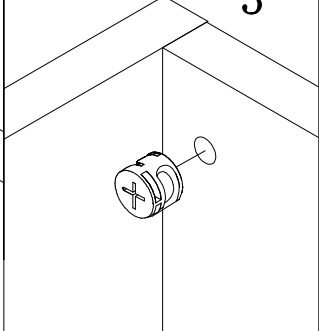
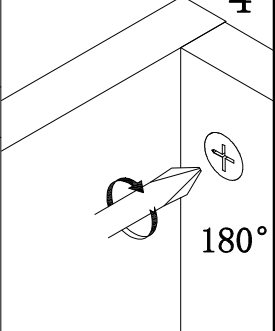
HARDWARE IDENTIFICATION

ITEM#:213037

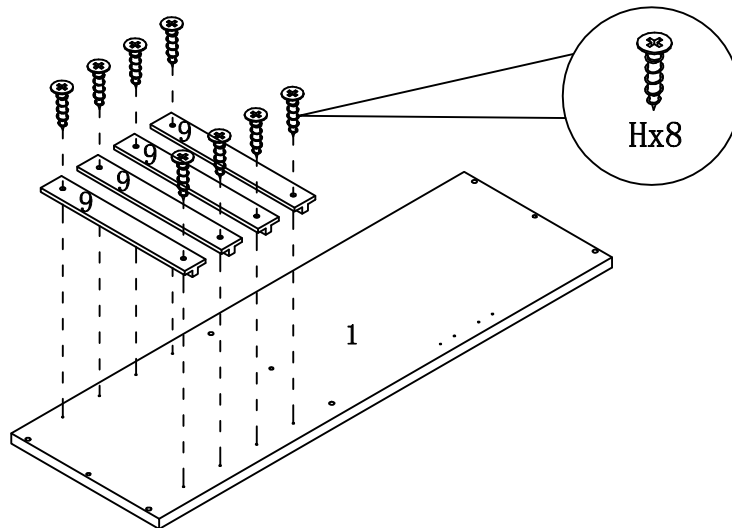
A		L29	10PCS
B		$\Phi 15$	10PCS
C		$\Phi 8 \times 25$	9PCS
D		$\Phi 3 \times 16$	4PCS
E		$\Phi 6 \times 30$	7PCS
F		L20	8PCS
G		$\Phi 12$	8PCS
H		$\Phi 4 \times 35$	16PCS
I			30PCS
J		$\Phi 20$	6PCS
K			2SET
L			2PCS
M		$197 \times 5 \times 1$	1PC
N		$\varnothing 4 \times 25$	1PC
O		$\varnothing 5 \times 40$	1PC
P		$\varnothing 8 \times 40$	1PC
Q		$12 \times 12 \times 1$	2PCS
R		$\varnothing 4 \times 30$	8PCS
S			2PCS
T		$\varnothing 3 \times 14$	4PCS
U		$\varnothing 6 \times 12$	4PCS
W		H120	1PC
X		$\varnothing 5 \times 16$	4PCS
Y		M4	1PC

HARDWARE IDENTIFICATION

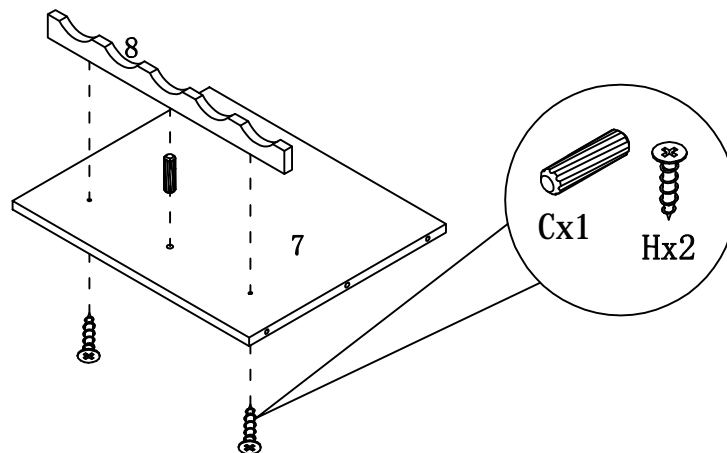
ITEM#:213037

<p>HOW TO</p>  <p>Cam Bolt</p>  <p>Cam Lock</p>	<p>1</p>  <p>1. Screw Cam Bolt into panel.</p>	<p>2</p>  <p>2. Insert Cam Bolt into bolt hole of joining panel.</p>	<p>3</p>  <p>3. Insert Cam Lock. arrow facing bolt.</p>	<p>4</p>  <p>4. Gently turn Cam Lock clockwise to lock position. 180°</p>
---	---	---	---	--

STEP1

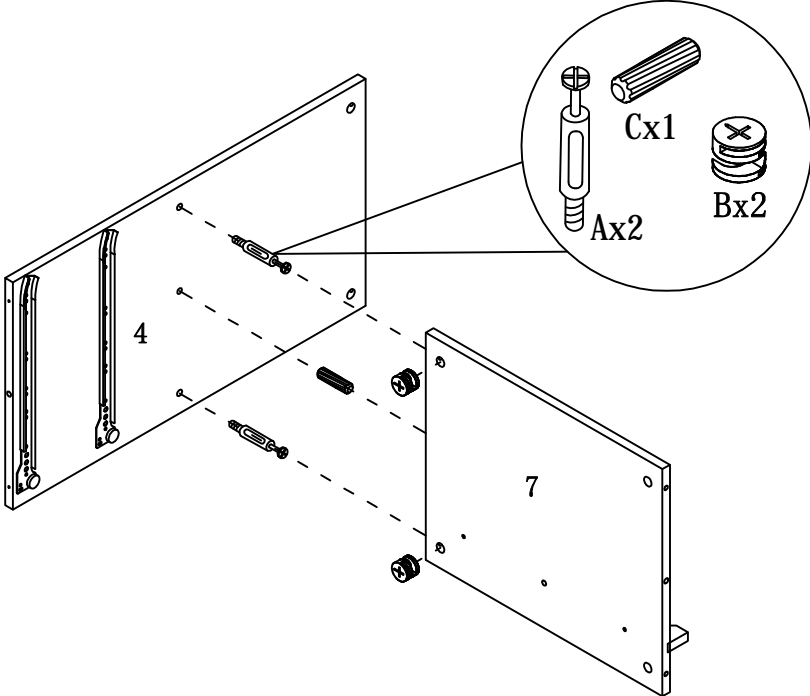


STEP2



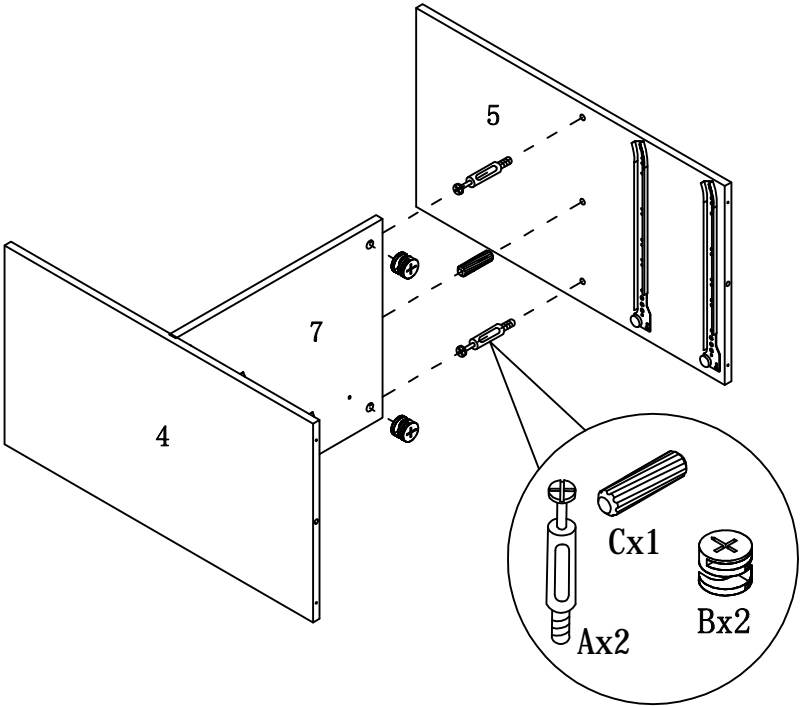
HARDWARE IDENTIFICATION

ITEM#:213037



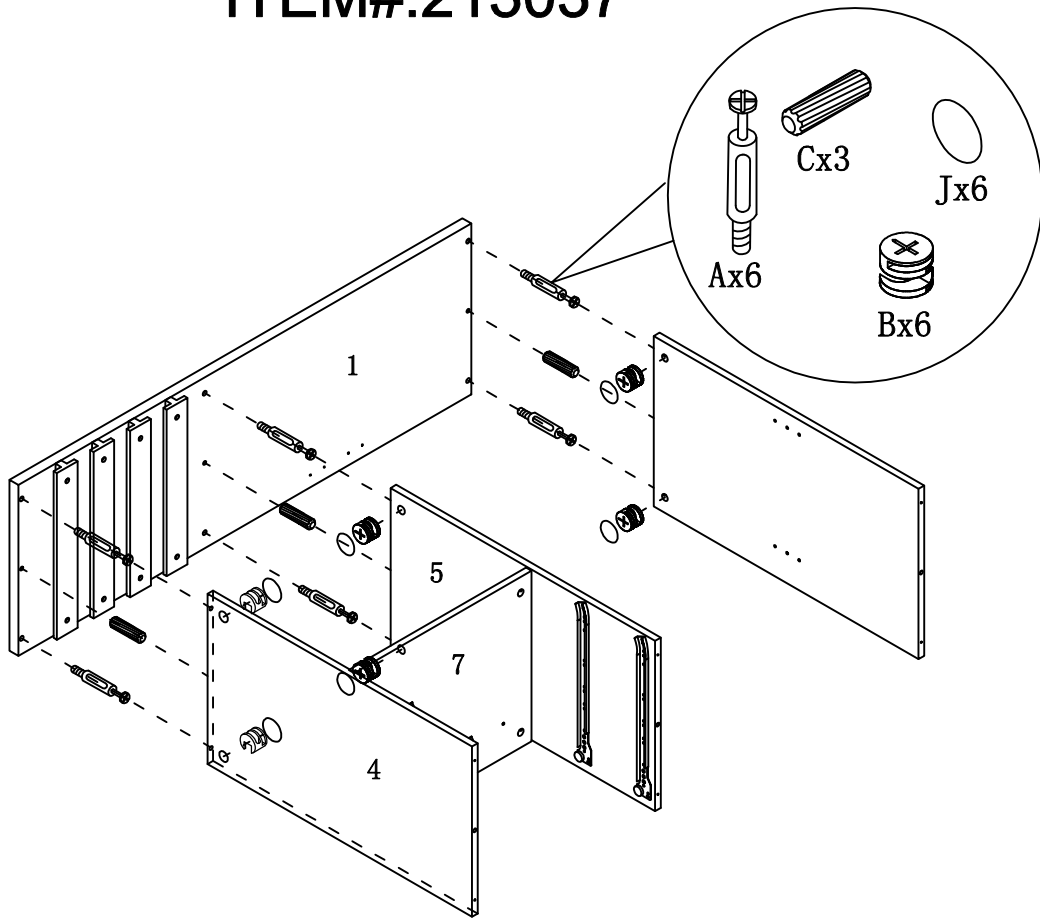
STEP3

STEP4



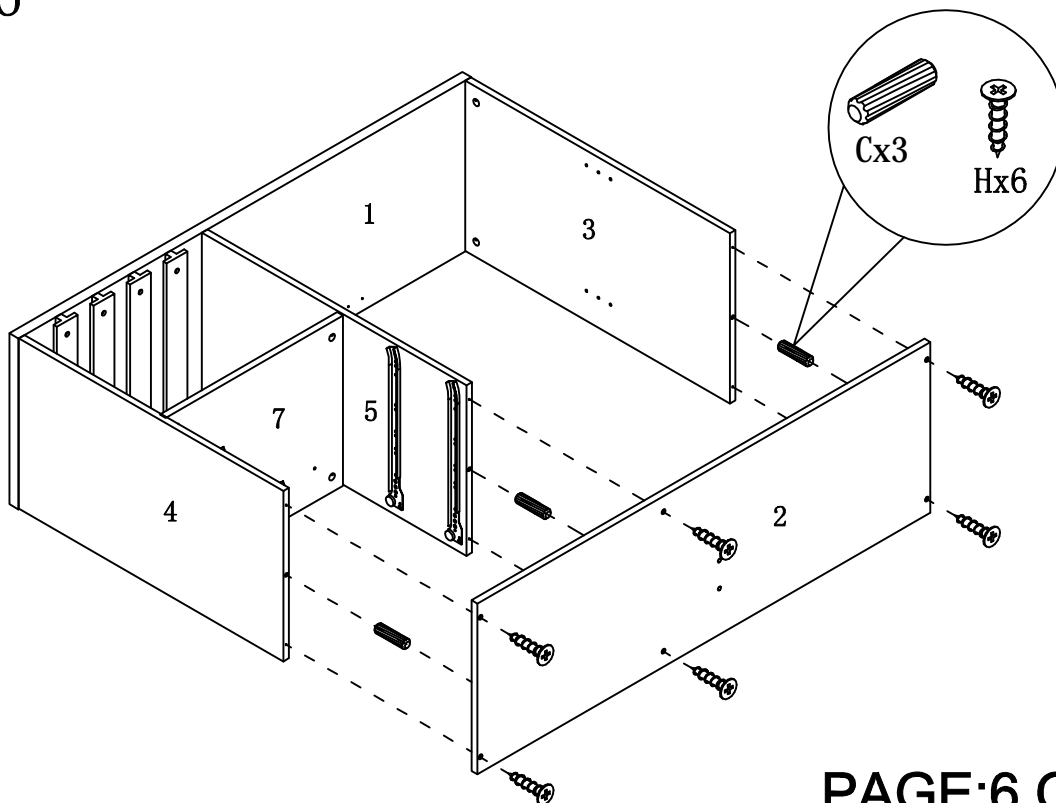
HARDWARE IDENTIFICATION

ITEM#:213037



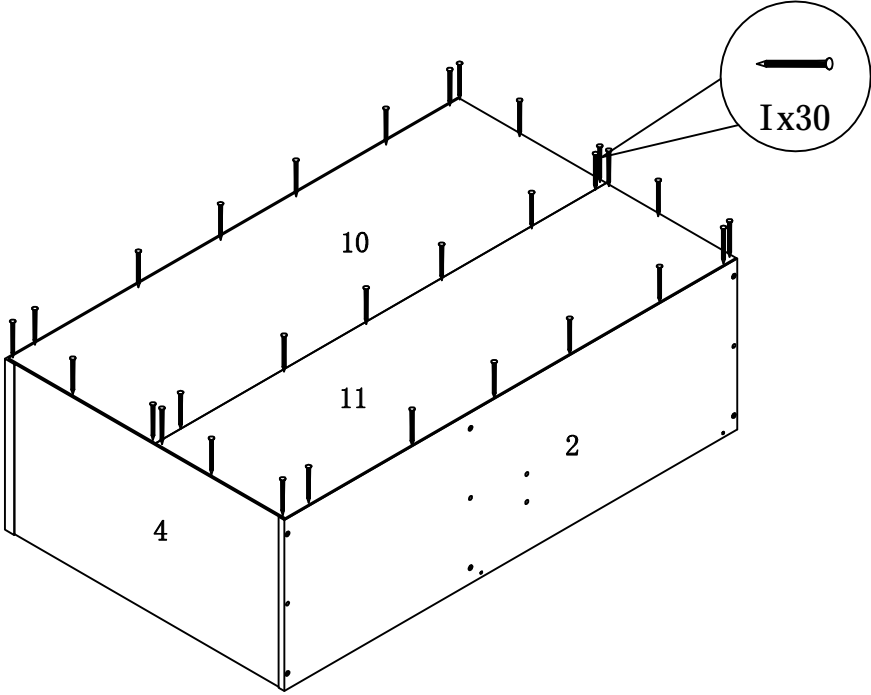
STEP5

STEP6

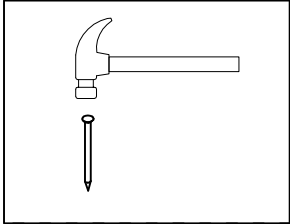


HARDWARE IDENTIFICATION

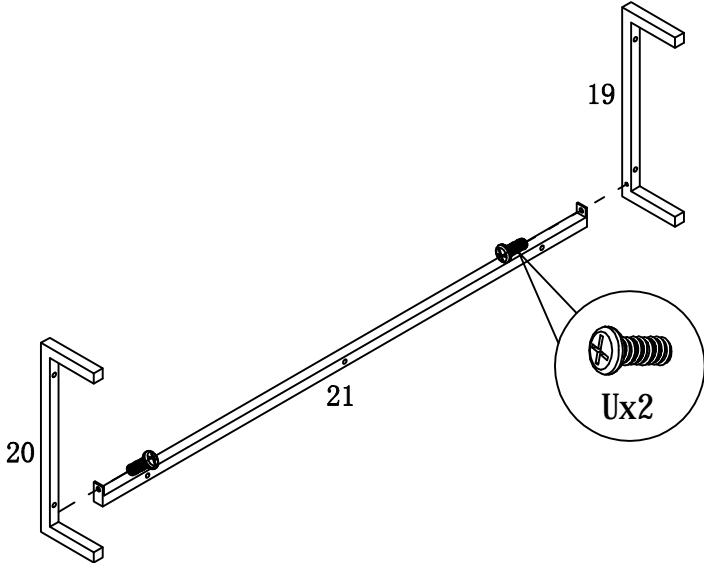
ITEM#:213037



STEP7

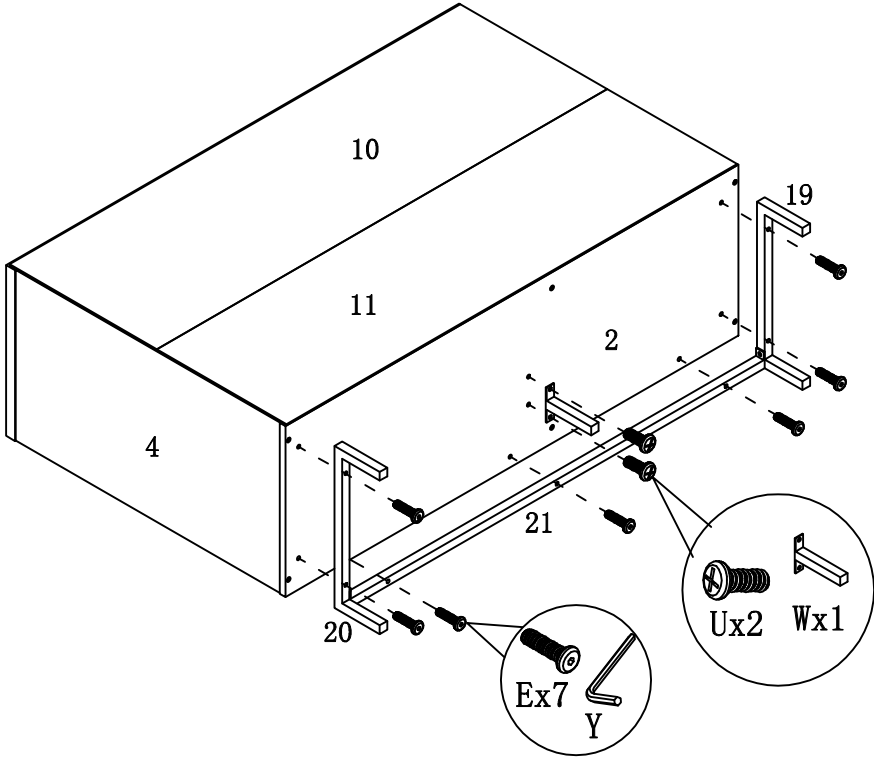


STEP8



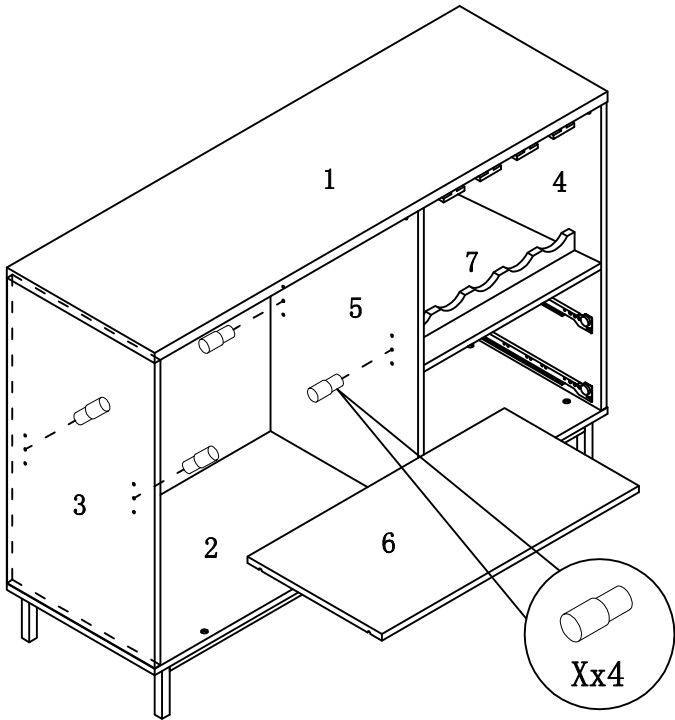
HARDWARE IDENTIFICATION

ITEM#:213037



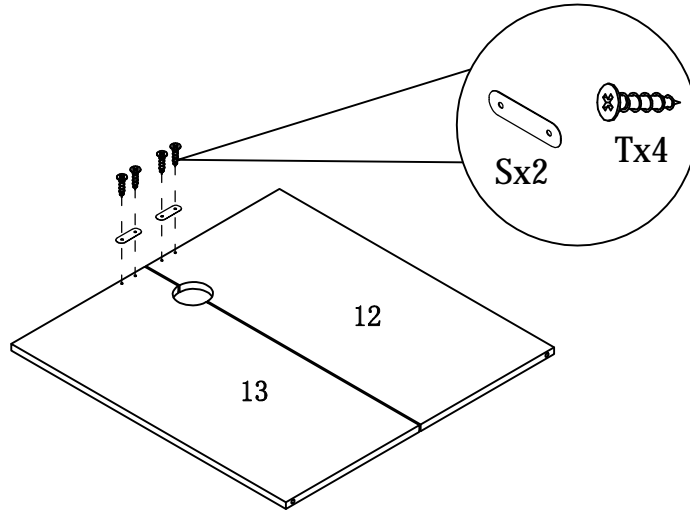
STEP9

STEP10



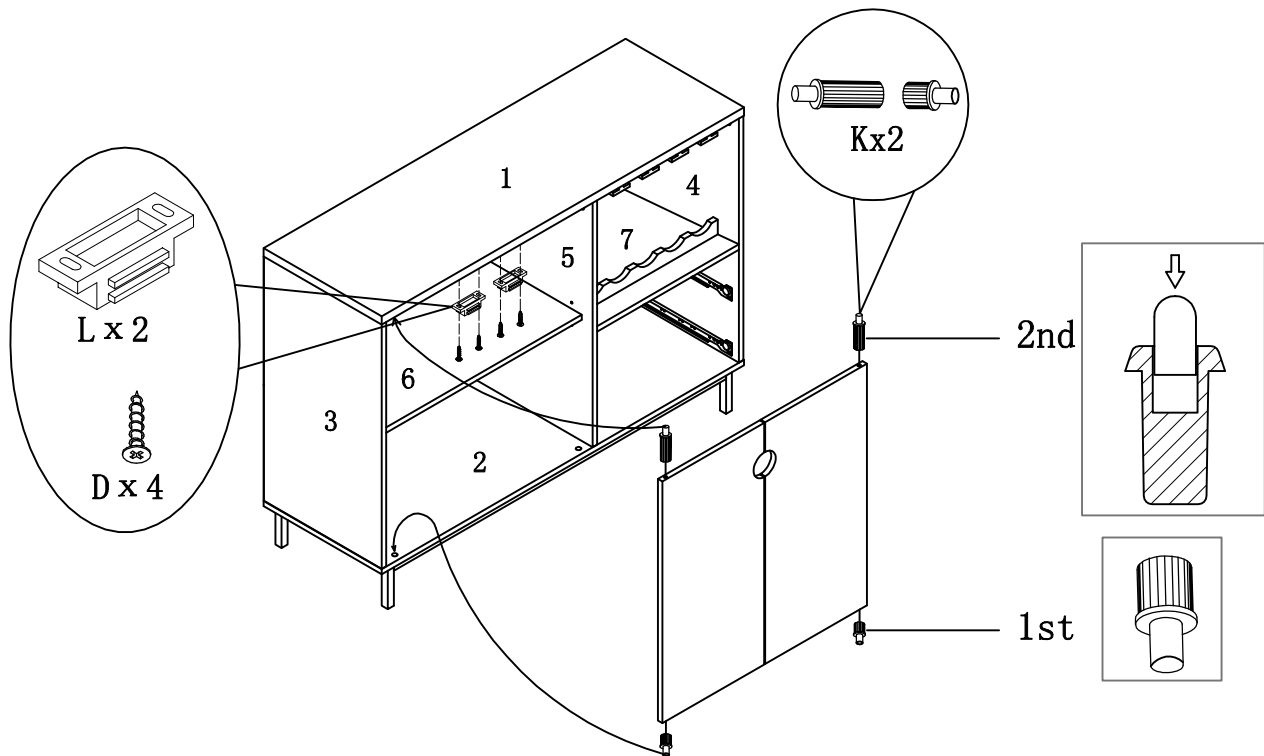
HARDWARE IDENTIFICATION

ITEM#:213037



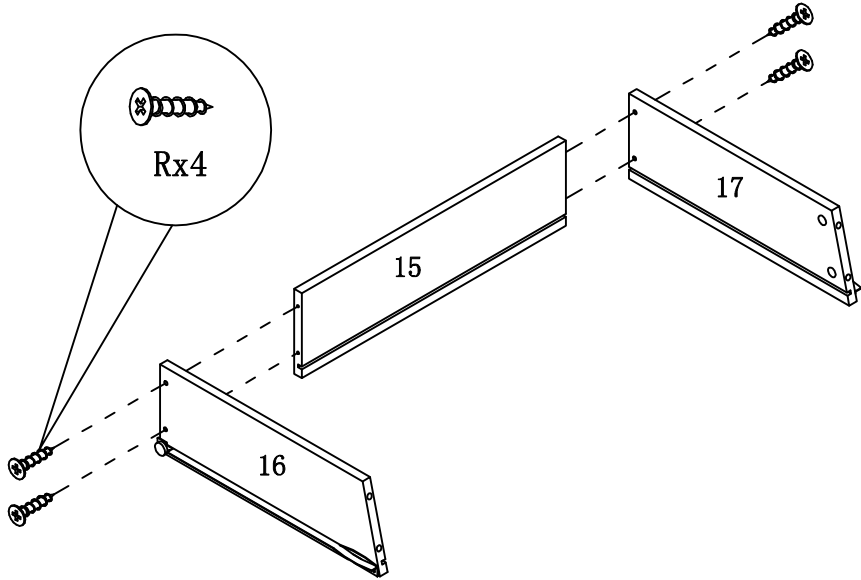
STEP11

STEP12



HARDWARE IDENTIFICATION

ITEM#:213037

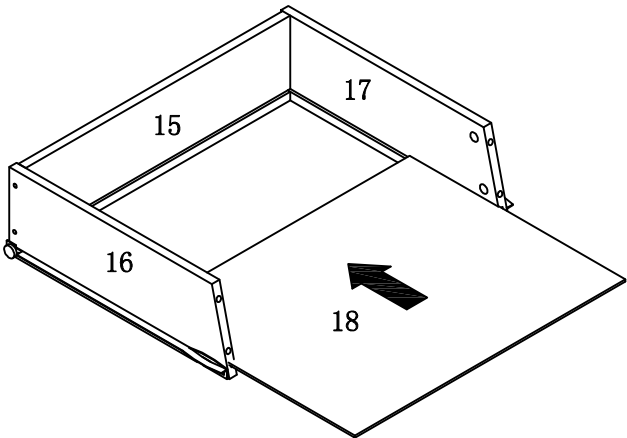


STEP13

x2

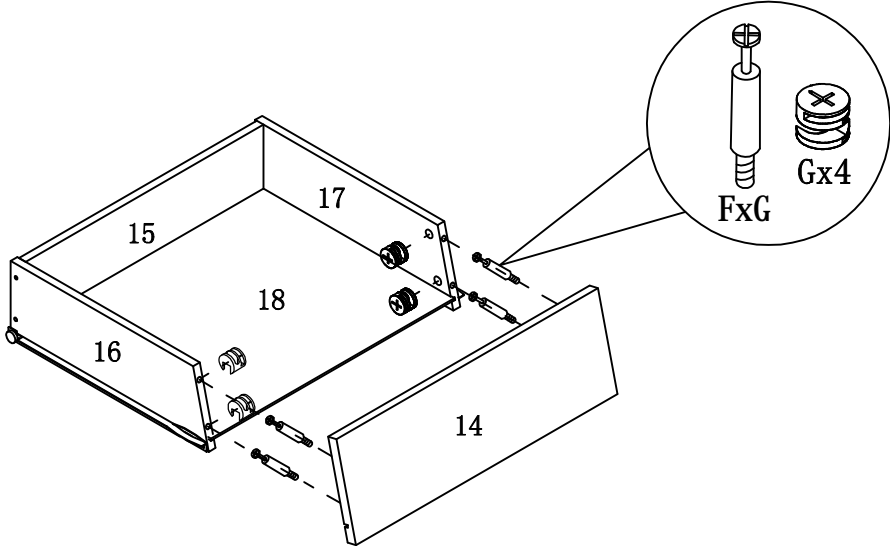
STEP14

x2



HARDWARE IDENTIFICATION

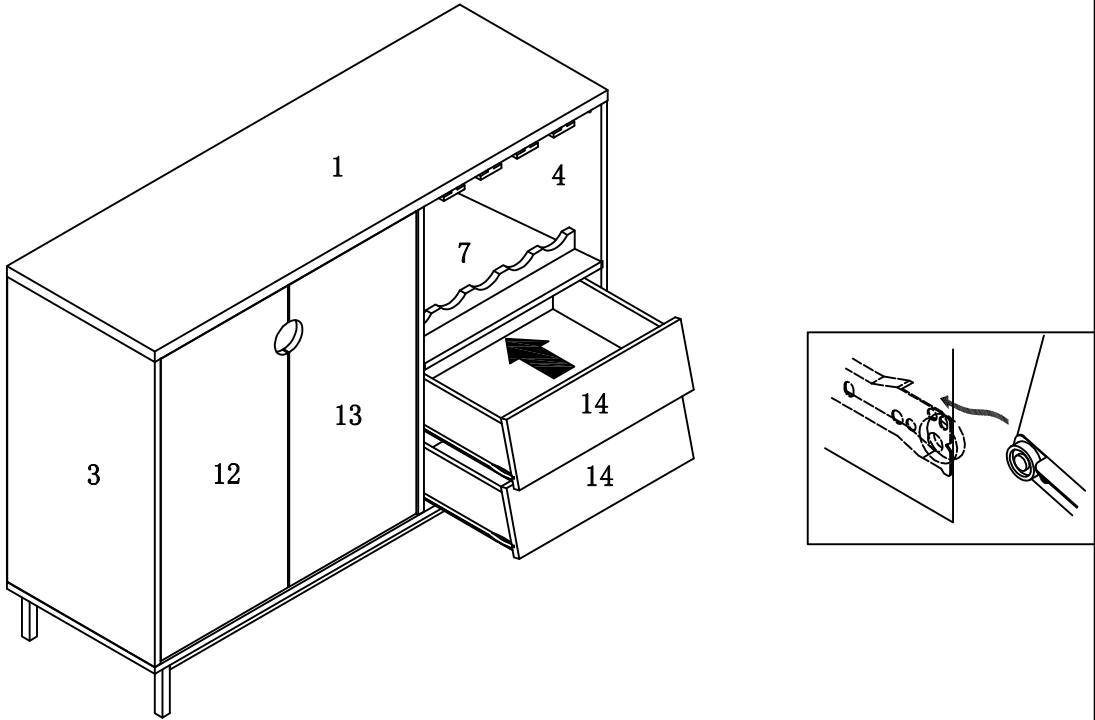
ITEM#:213037



STEP15

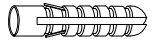
x2

STEP16

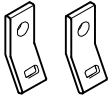


ANTI-TIPPING STRAP INSTRUCTION

HARDWARE (INCLUDED) :



DRYWALL ANCHOR $\phi 8 \times 40$ X 1PC



METAL BRACKETS $12 \times 12 \times 1$ X 2PCS



DRYWALL SCREW $\phi 5 \times 40$ X 1PC

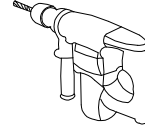


STRAP $197 \times 5 \times 1$ X 1PC



FLATHEAD SCREW $\phi 4 \times 25$ X 1PC

TOOLS NEEDED (NOT INCLUDED) :



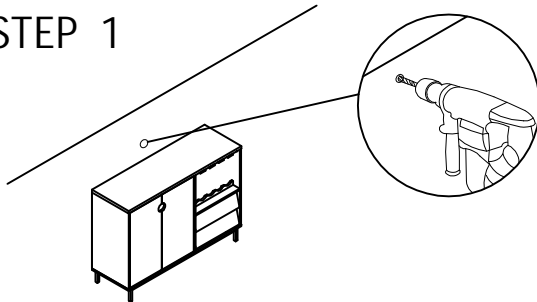
DRILL & DRILL BIT



LIGHT HAMMER

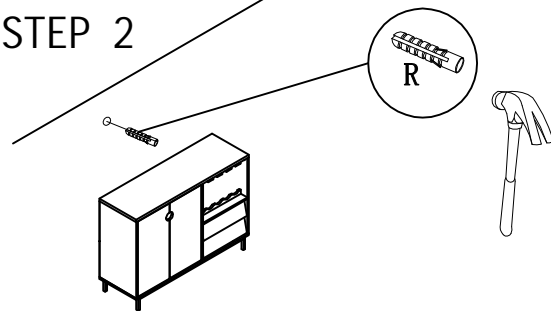
Note: Hardware included only compatible with standard drywalls.

STEP 1



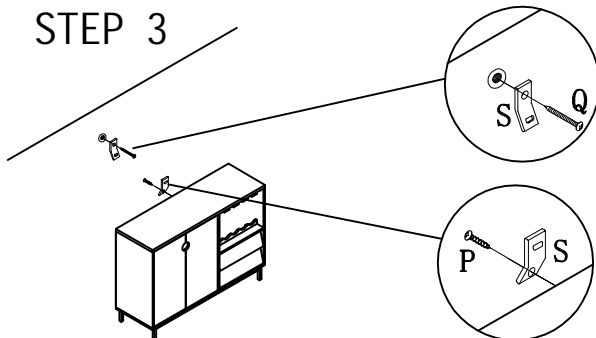
1. Find spot on wall 1" below top of item.
2. Using a drill bit slightly thinner than anchor, drill hole into drywall.

STEP 2



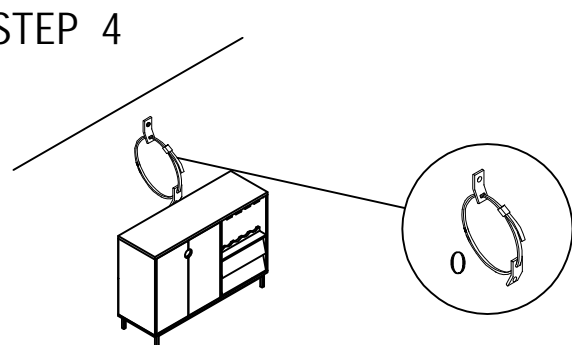
1. Use a light hammer to tap anchor into hole.
2. Anchor should fit snugly. If hole is too small, drill again to increase hole size. Do not force anchor into wall.

STEP 3



1. Insert drywall screw into metal bracket and into drywall anchor.
2. Insert flathead screw into second metal bracket and into back of item along top edge.

STEP 4



1. Insert strap thru bracket attached to wall, then thru bracket on item, and into head of strap.
 2. pull lightly til strap stops.
- Assembly is complete.