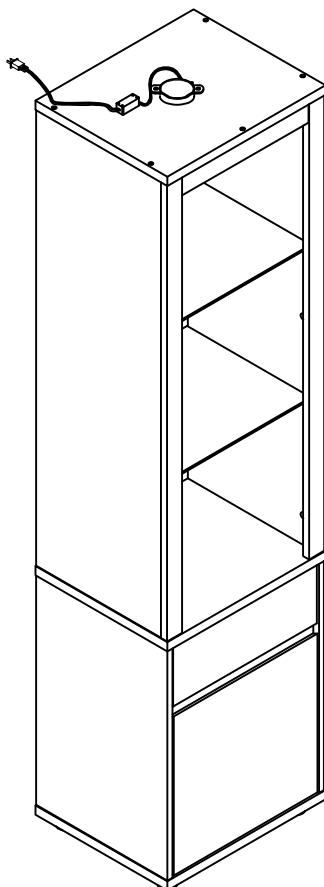


ASSEMBLY INSTRUCTION

ITEM#: 202738 202739



ASSEMBLY INSTRUCTION

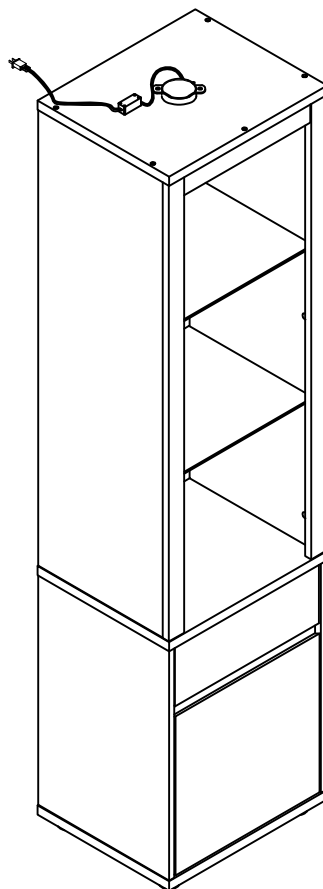
PLEASE READ BEFORE ASSEMBLING!

Tip #1: Make sure you've taken all the pieces and hardware out of its packaging before discarding the box.

Tip #2: Using page 2 and/or page 3 of instruction manual make sure all pieces and hardware are accounted for.

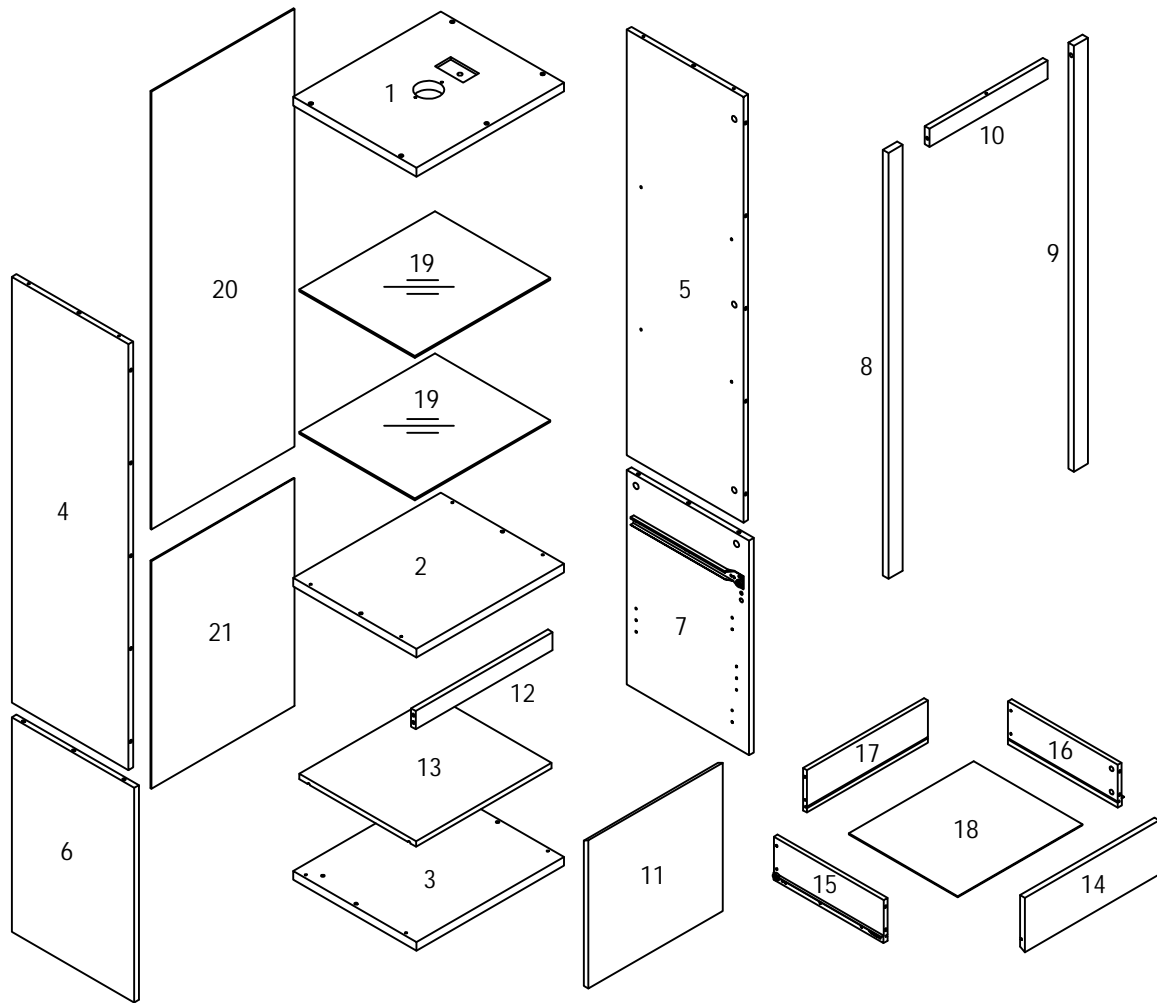
Tip #3: Read manual before assembling, it helps!

ITEM#: 202738 202739



PARTS IDENTIFICATION



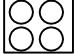

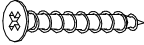




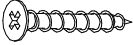
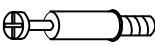



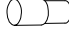

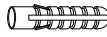


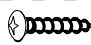


ITEM#: 202738 202739



(1)	1pc	(6)	1pc	(11)	1pc	(16)	1pc	(21)	1pc
(2)	1pc	(7)	1pc	(12)	1pc	(17)	1pc		
(3)	1pc	(8)	1pc	(13)	1pc	(18)	1pc		
(4)	1pc	(9)	1pc	(14)	1pc	(19)	2pcs		
(5)	1pc	(10)	1pc	(15)	1pc	(20)	1pc		

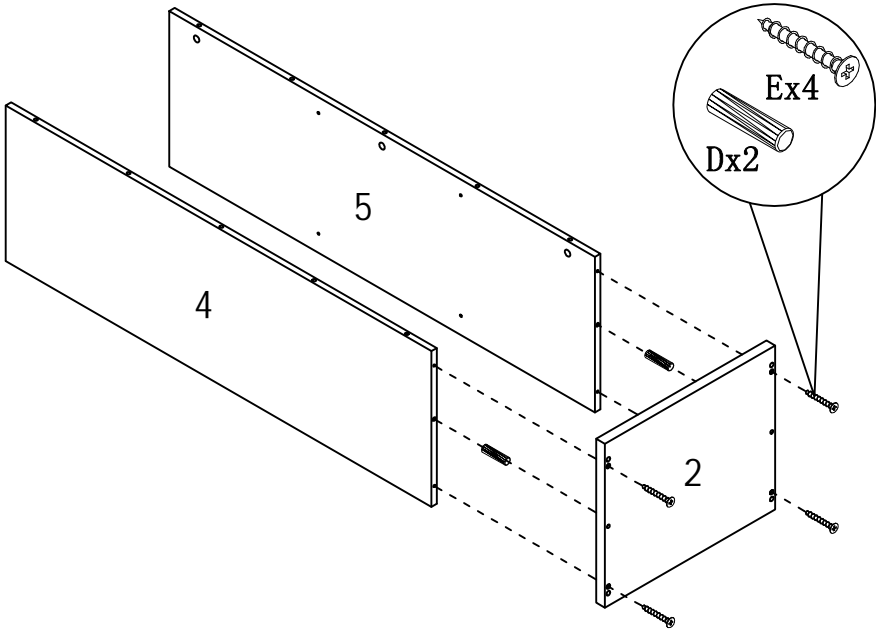
HARDWARE IDENTIFICATION

ITEM#: 202738 202739

A		L29	14pcs
B		∅15	14pcs
C		∅22	6pcs
D		∅8x25	14pcs
E		∅4x45	13pcs
F		∅55x25	4pcs
G			52pcs
H		23x17x15	8pcs
I		∅4x16	16pcs
J		∅4x30	6pcs
K		L20	4pcs
L		∅12	4pcs
M		∅70	1pc
N		∅3x16	2pcs
O		∅5x15	4pcs
P		301C	2pcs
Q		∅8x40	1pc
R		∅12x12x1	2pcs
S		∅5x40	1pc
T		∅4x25	1pc
U		197×5×1	1pc
V		Glue: For securing please apply to wood dowel first before inserting into panel	1pc

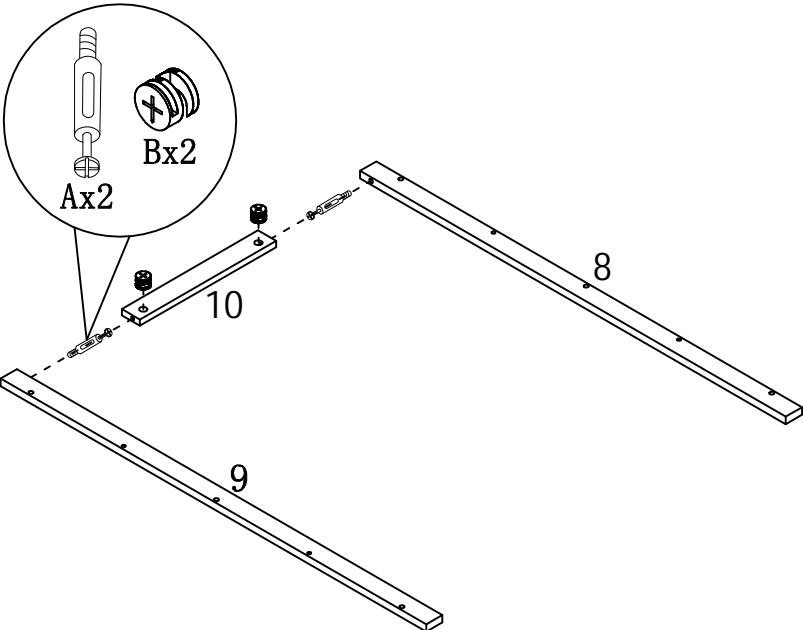
ASSEMBLY INSTRUCTION

ITEM#: 202738 202739



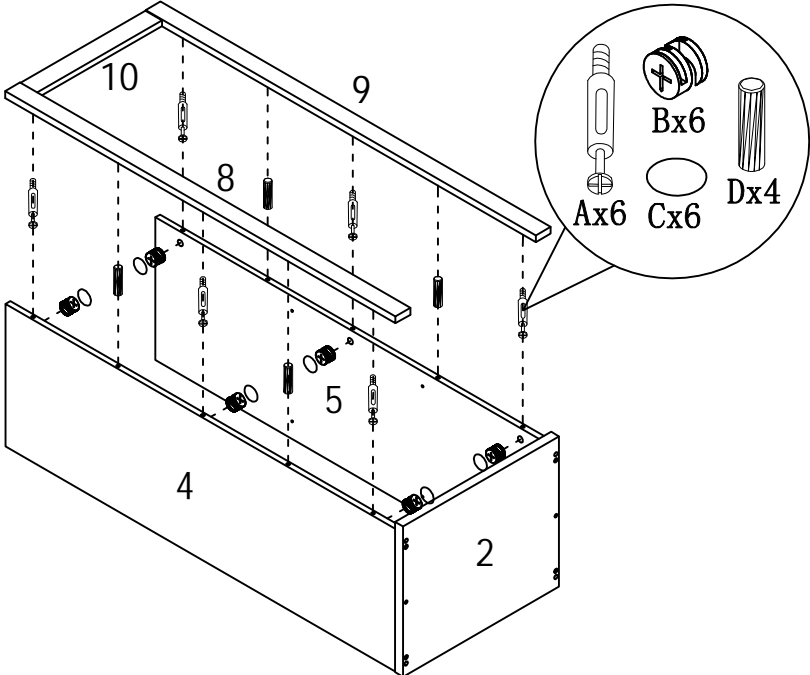
STEP1

STEP2



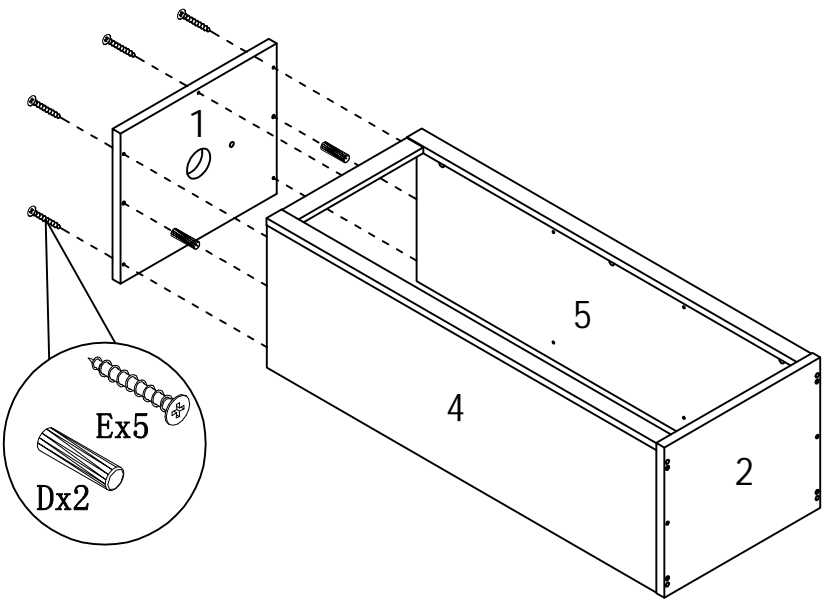
ASSEMBLY INSTRUCTION

ITEM#: 202738 202739



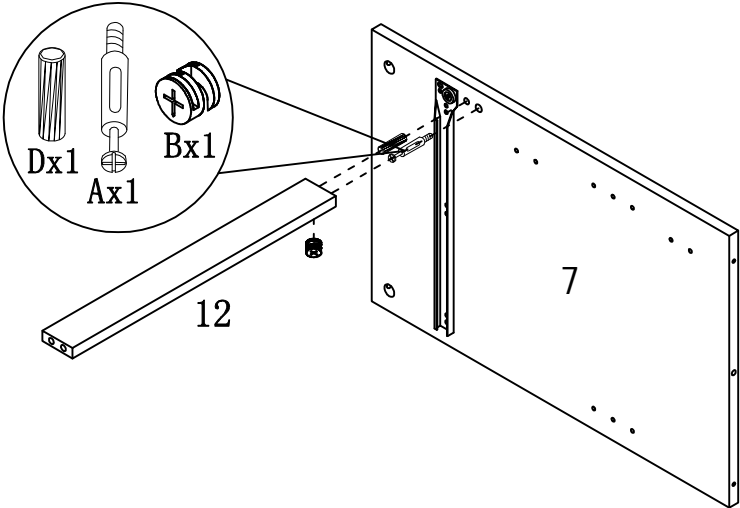
STEP3

STEP4



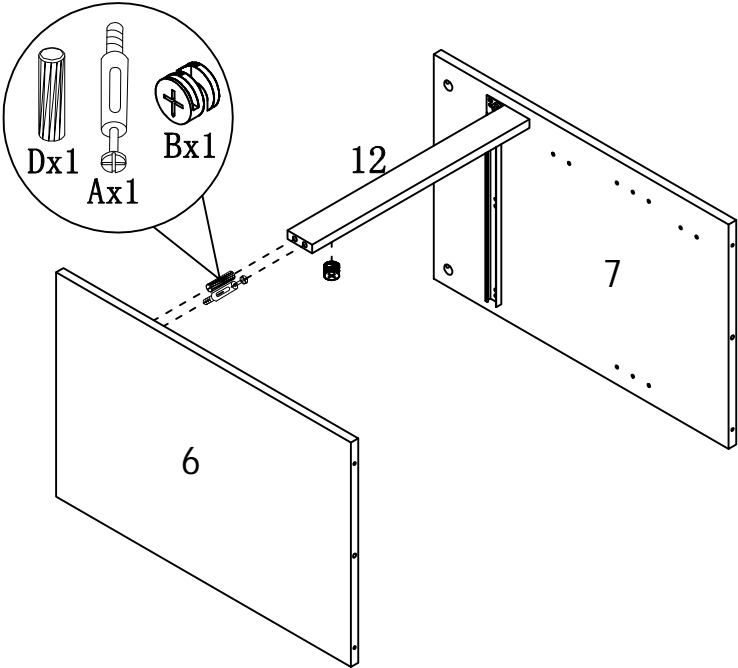
ASSEMBLY INSTRUCTION

ITEM#: 202738 202739



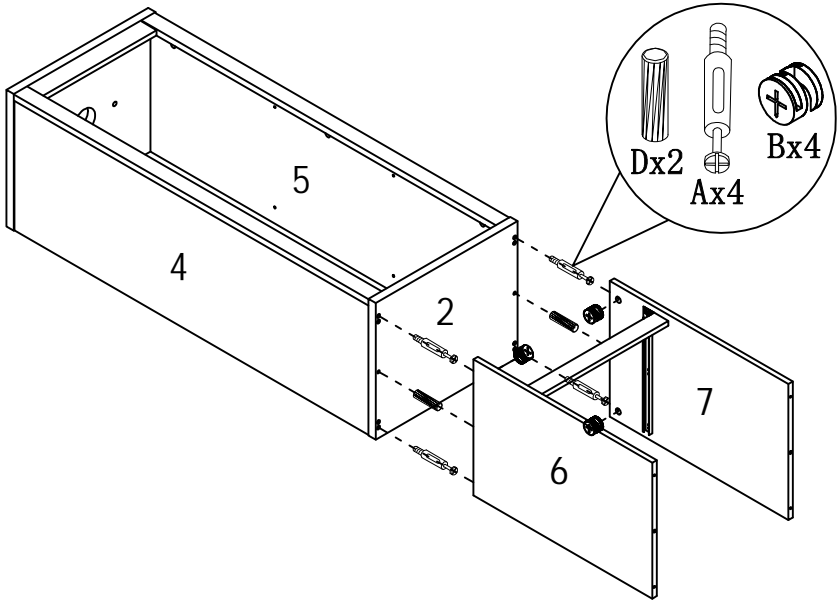
STEP5

STEP6



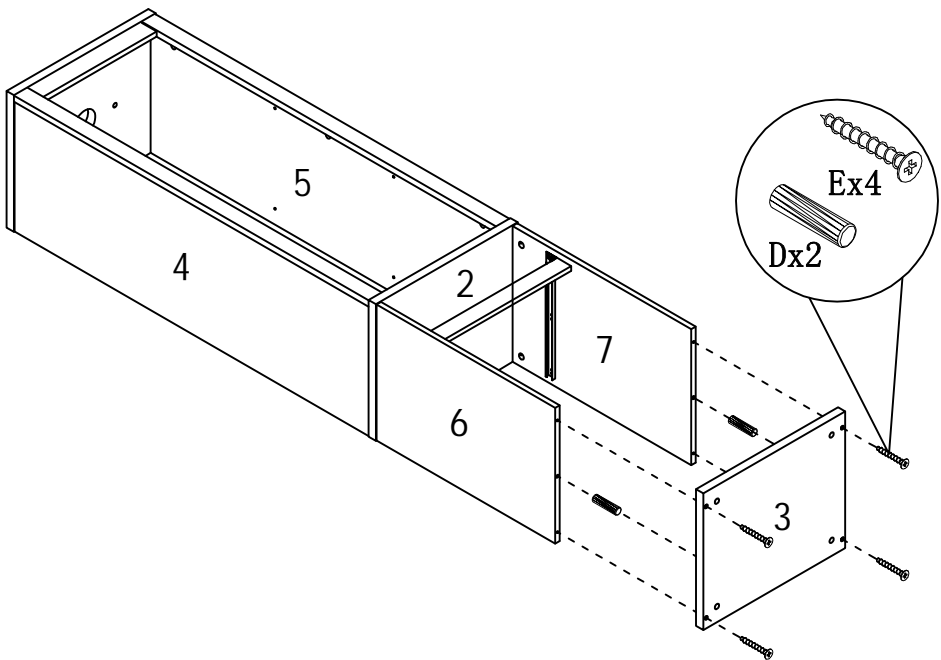
ASSEMBLY INSTRUCTION

ITEM#: 202738 202739



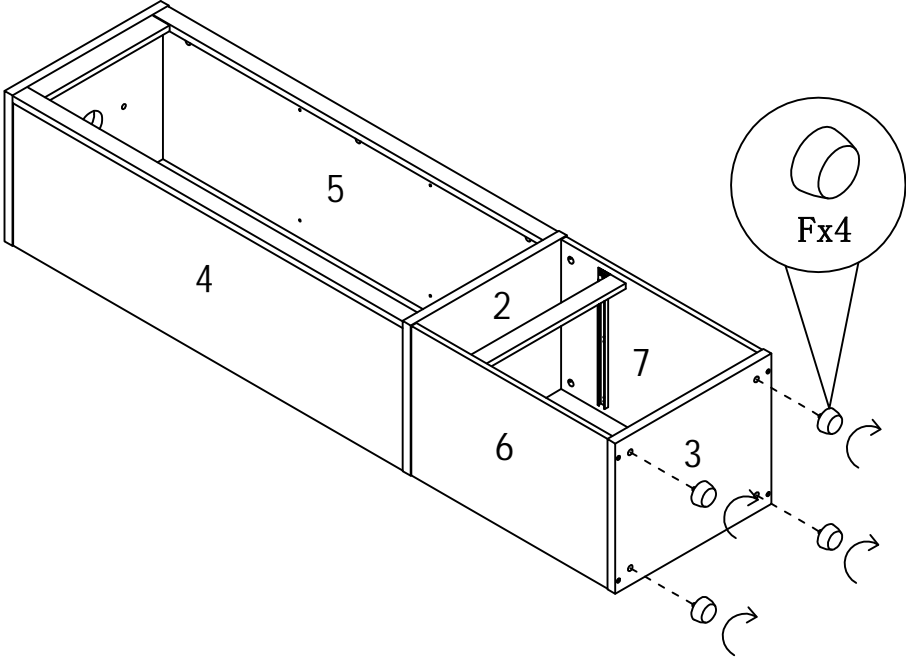
STEP7

STEP8



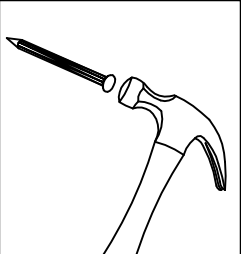
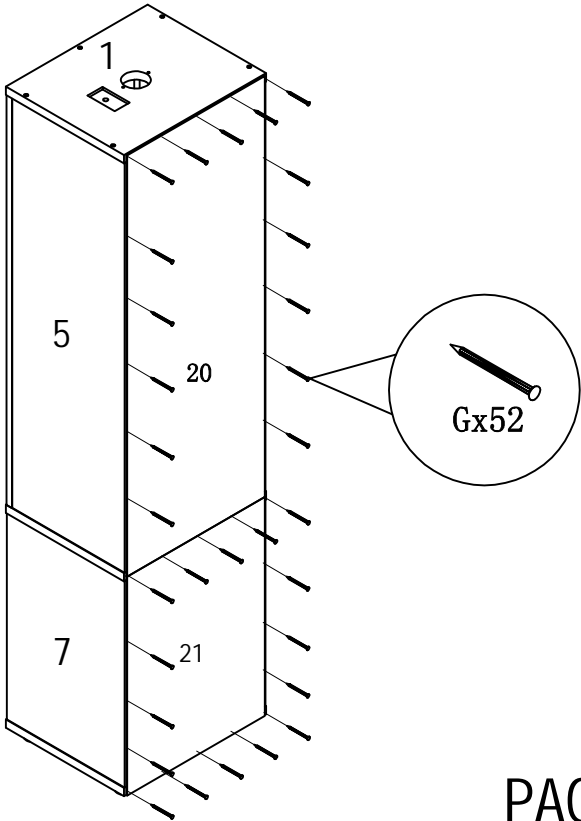
ASSEMBLY INSTRUCTION

ITEM#: 202738 202739



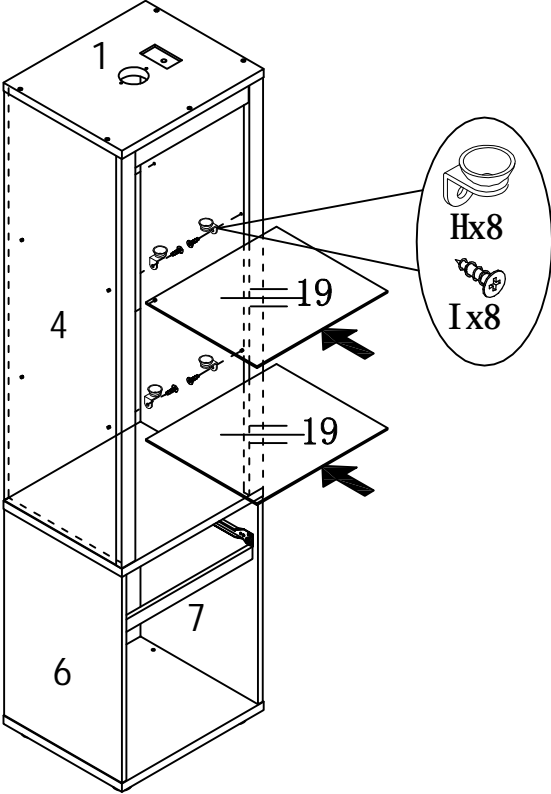
STEP9

STEP10



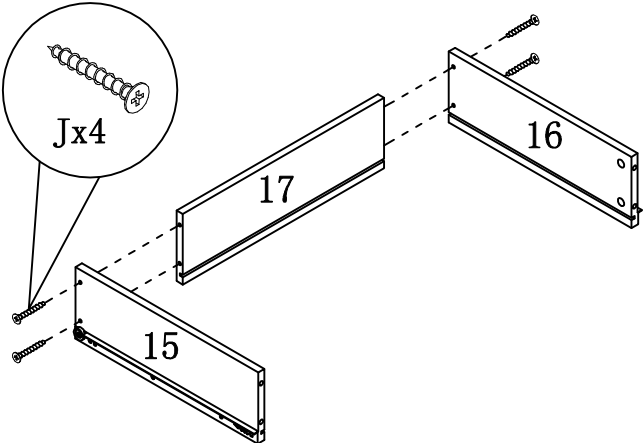
ASSEMBLY INSTRUCTION

ITEM#: 202738 202739



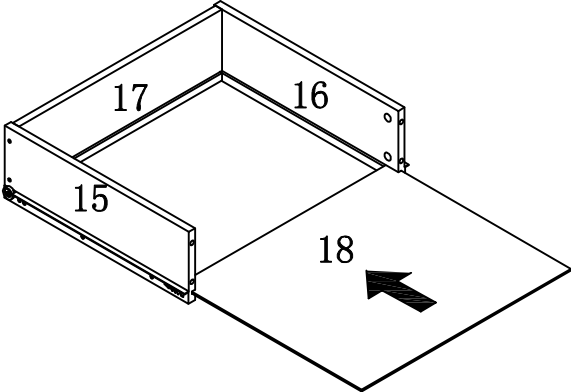
STEP11

STEP12



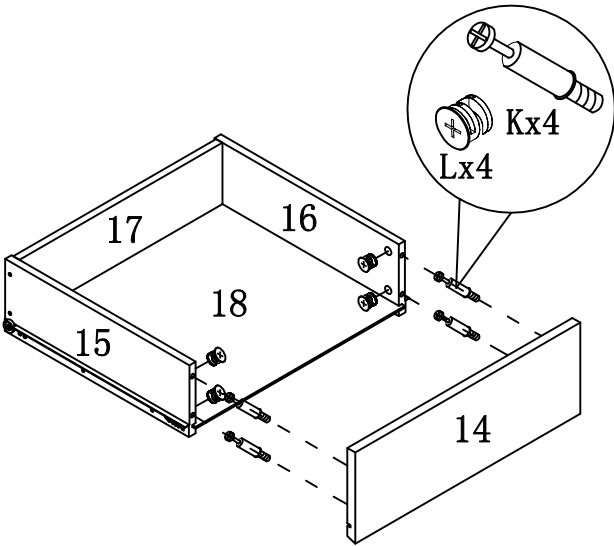
ASSEMBLY INSTRUCTION

ITEM#: 202738 202739



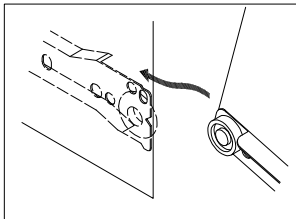
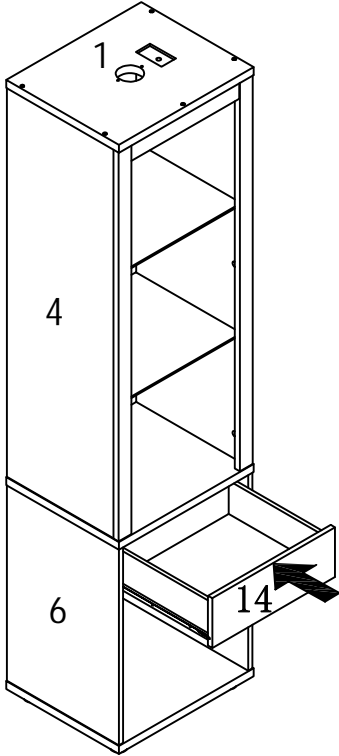
STEP13

STEP14



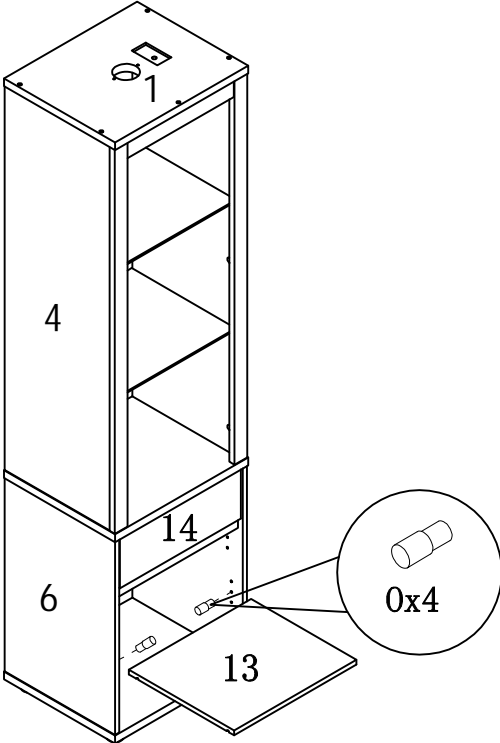
ASSEMBLY INSTRUCTION

ITEM#: 202738 202739



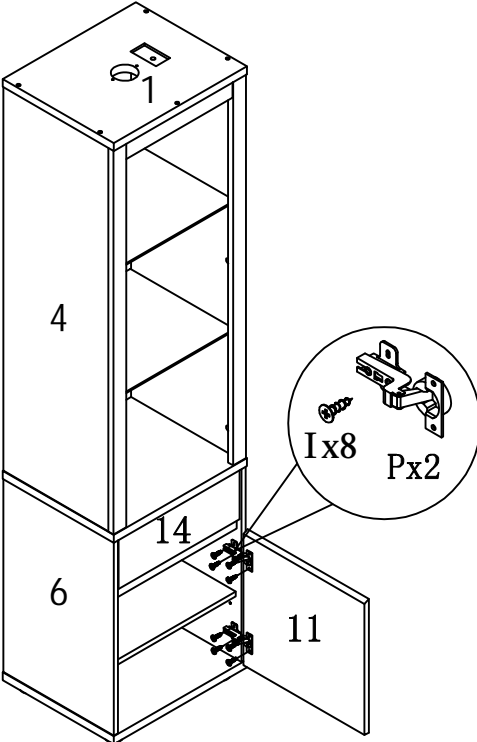
STEP15

STEP16



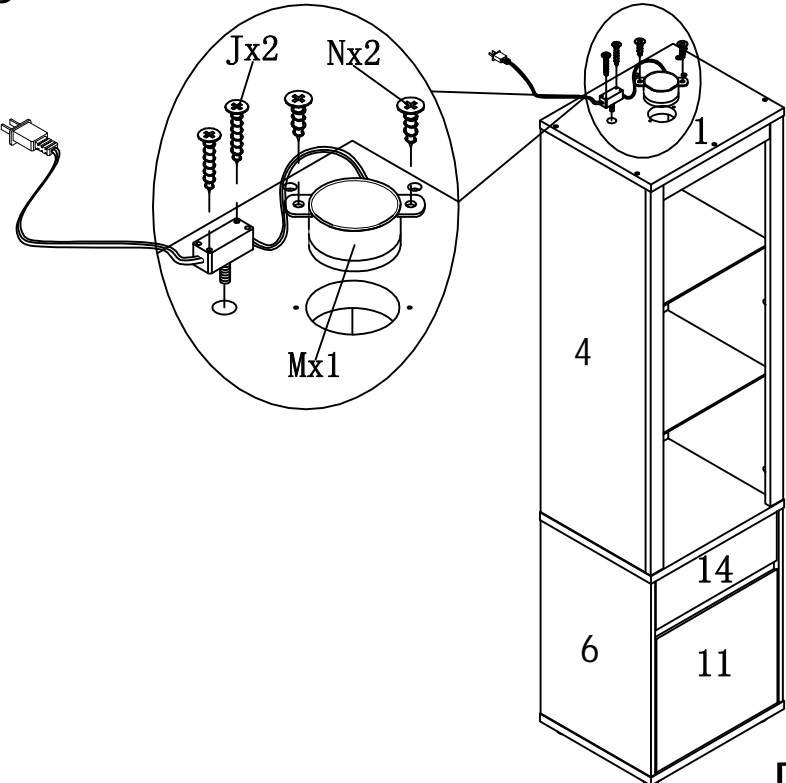
ASSEMBLY INSTRUCTION

ITEM#: 202738 202739



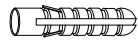
STEP17

STEP18

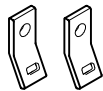


ANTI-TIPPING STRAP INSTRUCTION

HARDWARE (INCLUDED):



DRYWALL ANCHOR $\phi 8 \times 40$ X 1PC



METAL BRACKETS $12 \times 12 \times 1$ X 2PCS



DRYWALL SCREW $\phi 5 \times 40$ X 1PC

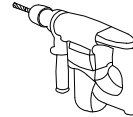


STRAP $197 \times 5 \times 1$ X 1PC



FLATHEAD SCREW $\phi 4 \times 25$ X 1PC

TOOLS NEEDED (NOT INCLUDED):



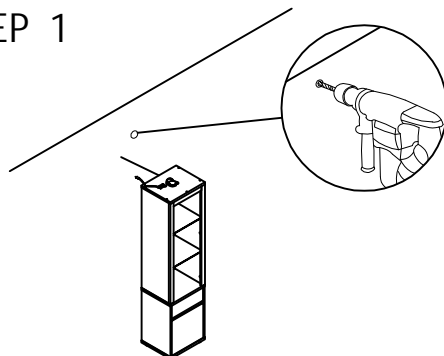
DRILL & DRILL BIT



LIGHT HAMMER

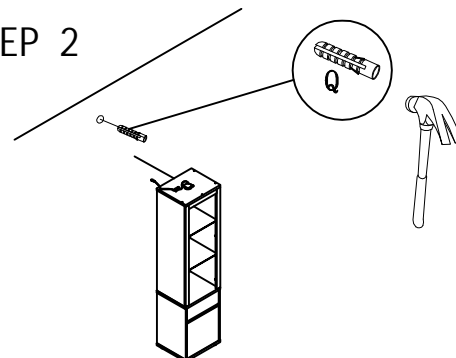
Note: Hardware included only compatible with standard drywalls.

STEP 1



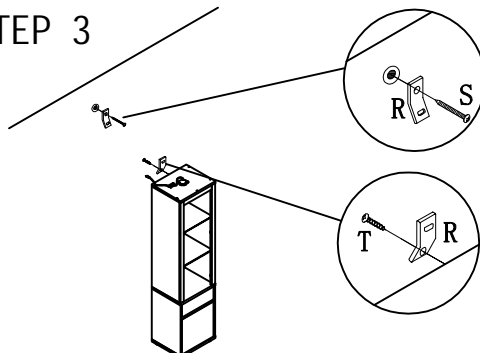
1. Find spot on wall 1" below top of item.
2. Using a drill bit slightly thinner than anchor, drill hole into drywall.

STEP 2



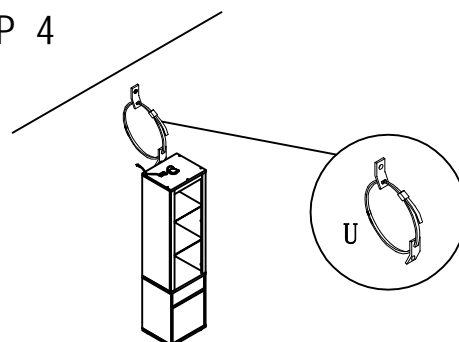
1. Use a light hammer to tap anchor into hole.
2. Anchor should fit snugly. If hole is too small, drill again to increase hole size. Do not force anchor into wall.

STEP 3



1. Insert drywall screw into metal bracket and into drywall anchor.
2. Insert flathead screw into second metal bracket and into back of item along top edge.

STEP 4



1. Insert strap thru bracket attached to wall, then thru bracket on item, and into head of strap.
 2. pull lightly til strap stops.
- Assembly is complete.